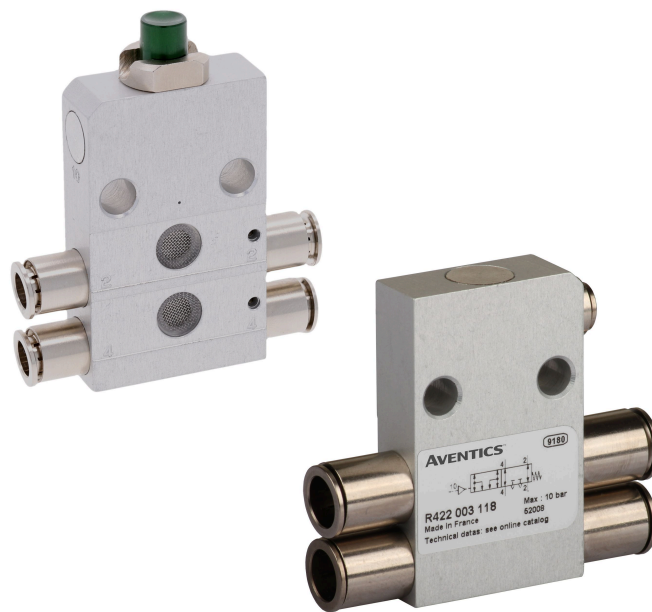


Exhaust module



Exhaust module, Stand-Alone

- For port channels 2, 4



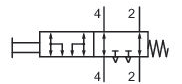
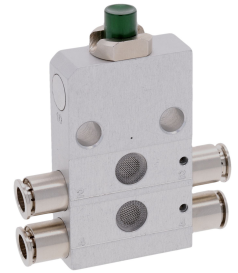
Product overview

Entlüftungsmodul

	Page
Exhaust module, Stand-Alone..... manually operated Connections 2, 4	4
Exhaust module, Series AV..... Manually operated Connections 2, 4	6
Exhaust module, Series AV..... Pneumatically operated for port channels 2, 4	8
Exhaust module, Series AV..... Pneumatically operated Connections 2, 4	10
Exhaust module, Stand-Alone..... Pneumatically operated	13
Exhaust module, Stand-Alone..... Pneumatically operated	16

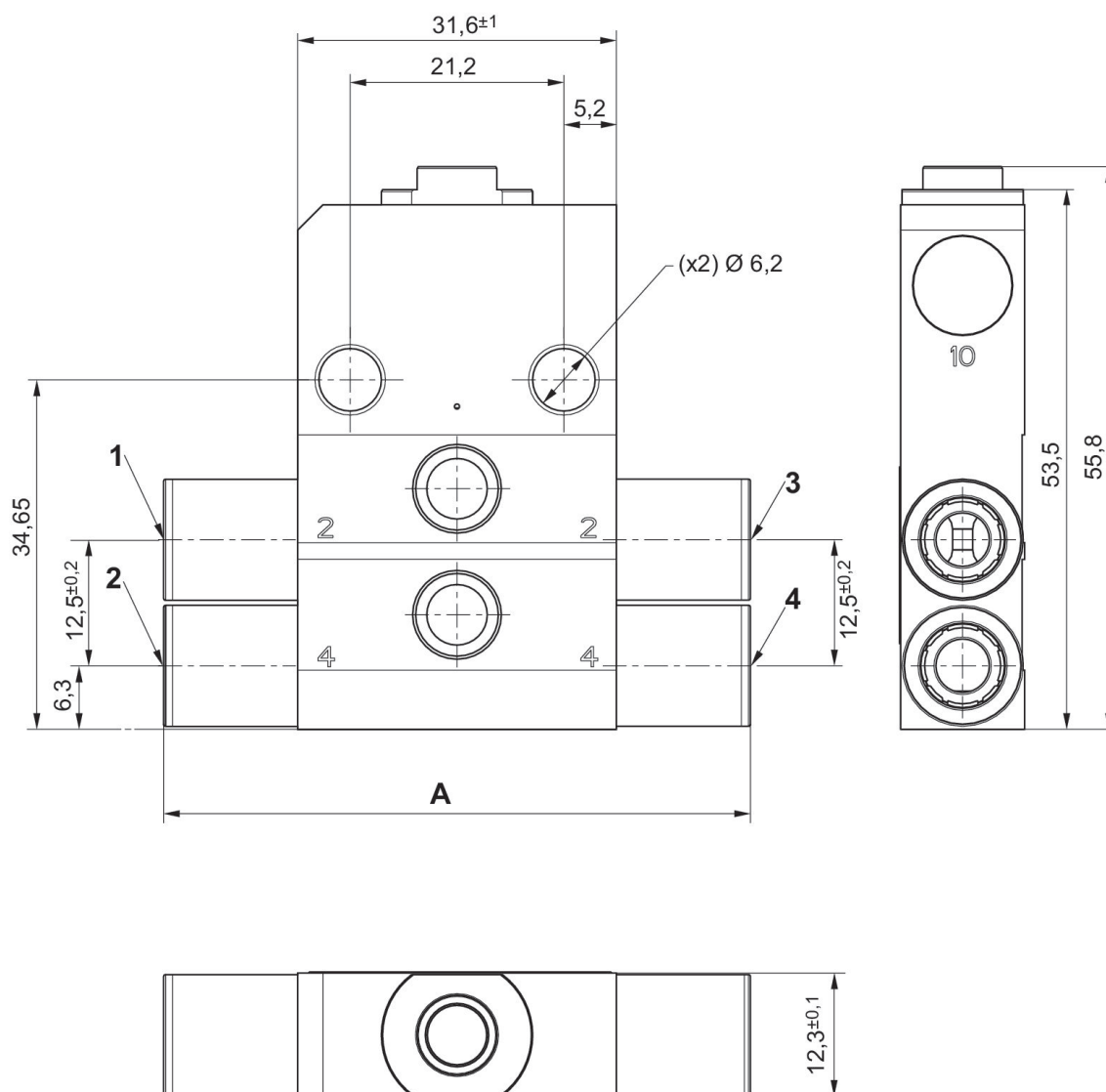
Exhaust module, Stand-Alone

Ambient temperature min./max.: 10 °C ... -60 °C
 Medium temperature min./max.: 10 °C ... -60 °C
 Working pressure min./max.: 0 bar ... 10 bar



Compressed air connection 1	Housing material	Part No.
Ø 6	Aluminum	R422003916
Ø 8	Aluminum	R422003914

Dimensions



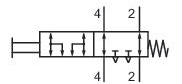
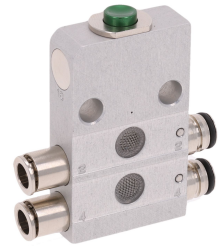
- 1) Operating line 2
- 2) Operating line 4
- 3) Connection 2, Input-side
- 4) Connection 4, Input-side

Pneumatic connection to base plate valves, suitable for all sizes in the AV03 and AV05 series

	A
R422003914	58 ± 1
R422003916	50 ± 1

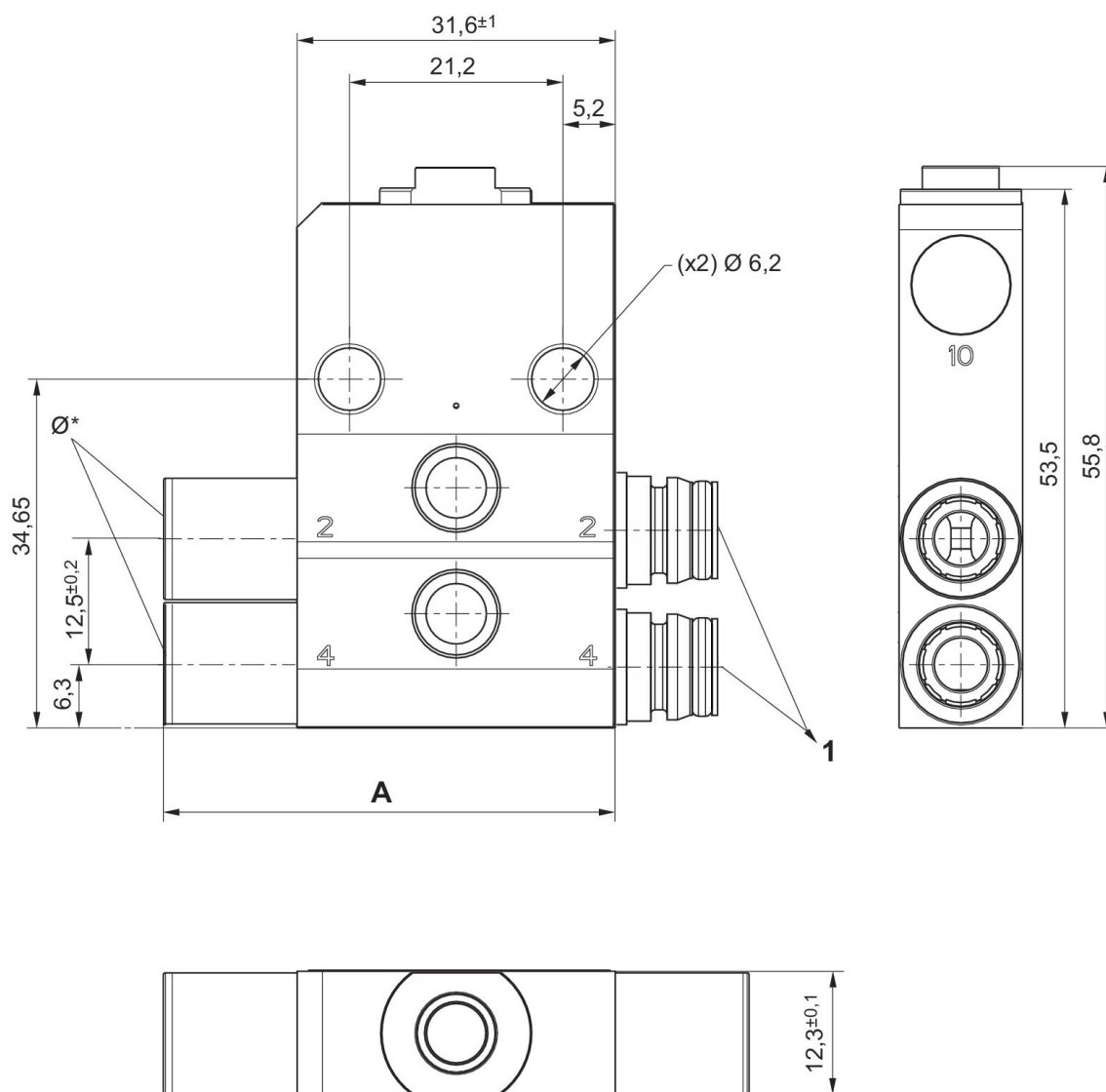
Exhaust module, Series AV

Ambient temperature min./max.: 10 °C ... -60 °C
 Medium temperature min./max.: 10 °C ... -60 °C
 Working pressure min./max.: 0 bar ... 10 bar



Housing material	Part No.
Aluminum	R422003913
Aluminum	R422003915

Dimensions



1) Pneumatic connection to base plate valves, suitable for all sizes in the AV03 and AV05 series

	\varnothing	A	B
R422003913	8	46 ± 1	54 ± 1
R422003915	6	42 ± 1	50 ± 1

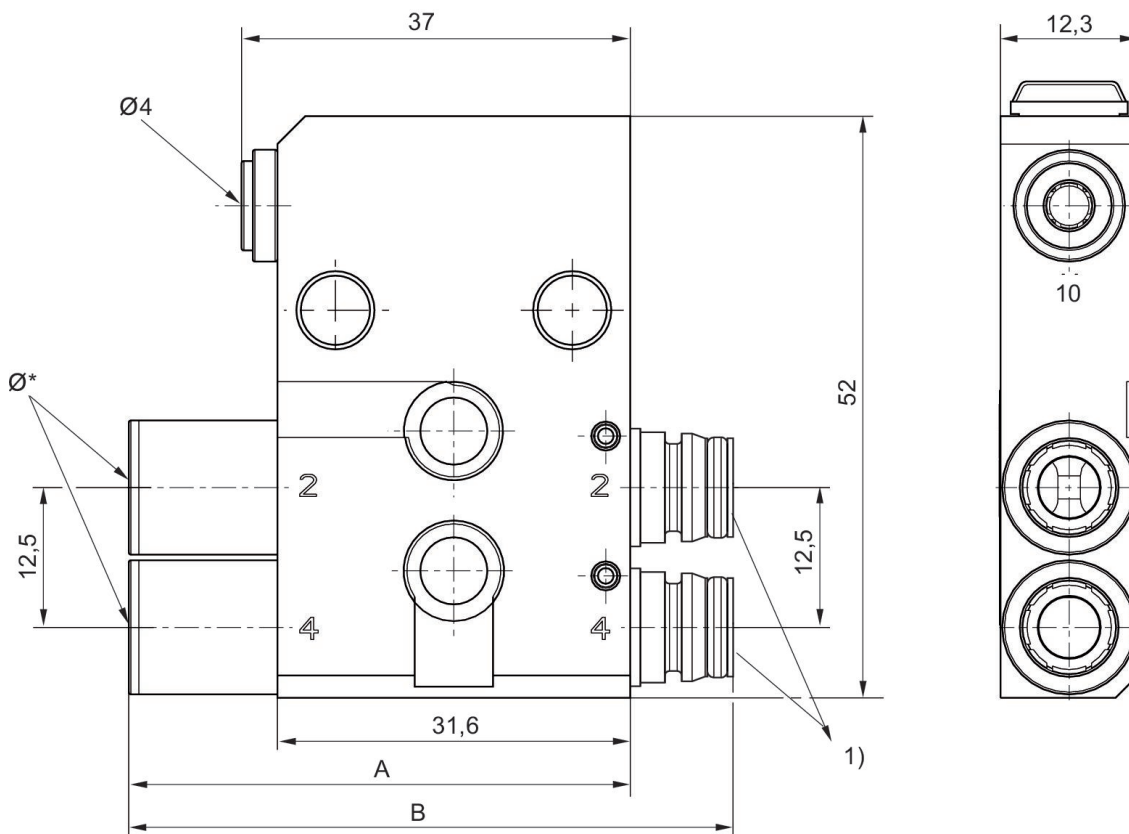
Exhaust module, Series AV

Ambient temperature min./max.: -10 °C ... 60 °C
Working pressure min./max.: 0 bar ... 10 bar



	Housing material	Part No.
	Aluminum	R422003046
	Aluminum	R422003185
	Aluminum	R422003187

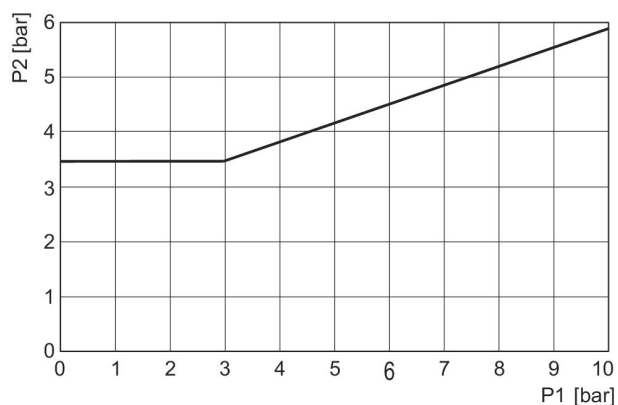
Dimensions



1) Pneumatic connection to base plate valves, suitable for all sizes in the AV03 and AV05 series

Part No.	Ø*	A	B
R422003046	8	46	54
R422003185	6	42	50
R422003187	4	38	46

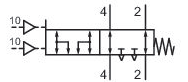
Minimum control pressure (depending on operating pressure)



p1 = pressure on connections 2 and 4, p2 = control pressure

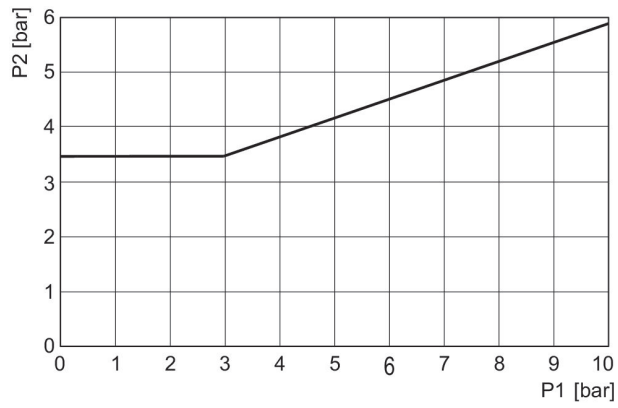
Exhaust module, Series AV

Ambient temperature min./max.: -10 °C ... 60 °C
 Medium temperature min./max.: -10 °C ... 60 °C
 Working pressure min./max.: 0 bar ... 10 bar



Housing material	Part No.
Aluminum	R422003807
Aluminum	R422003805

Minimum control pressure (depending on operating pressure)

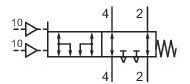


p1 = pressure on connections 2 and 4, p2 = control pressure

p1	p2
0	3.5
3	3.5
10	5.8

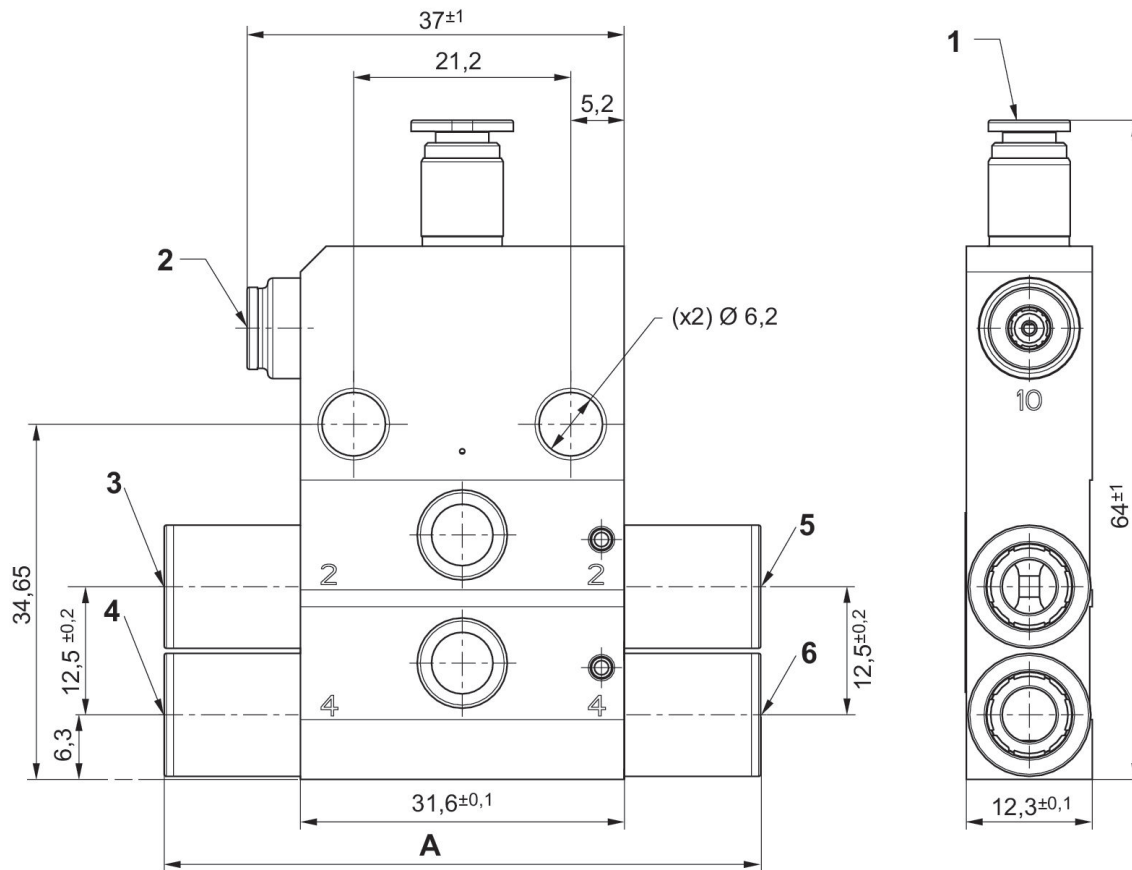
Exhaust module, Stand-Alone

Ambient temperature min./max.: -10 °C ... 60 °C
 Medium temperature min./max.: -10 °C ... 60 °C
 Working pressure min./max.: 0 bar ... 10 bar



Compressed air connection 1	Housing material	Part No.
Ø 6	Aluminum	R422003808
Ø 8	Aluminum	R422003806

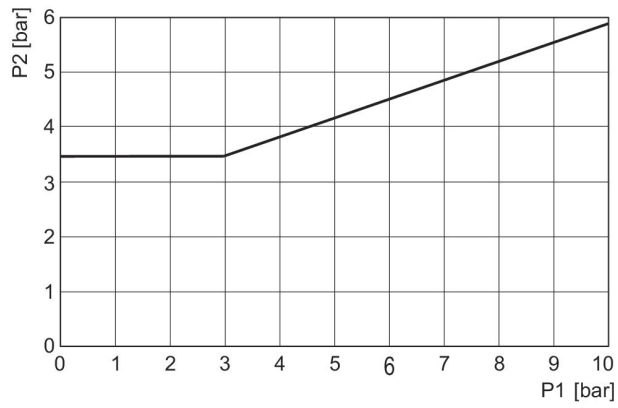
Dimensions



- 1) Port 10 $\text{\O}4$
 - 2) Port 10 $\text{\O}4$
 - 3) Operating line 2
 - 4) Operating line 4
 - 5) Connection 2, Input-side
 - 6) Connection 4, Input-side
- Pneumatic connection to base plate valves, suitable for all sizes in the AV03 and AV05 series

Part No.	A
R422003806	58 ± 1
R422003808	50 ± 1

Minimum control pressure (depending on operating pressure)



p1 = pressure on connections 2 and 4, p2 = control pressure

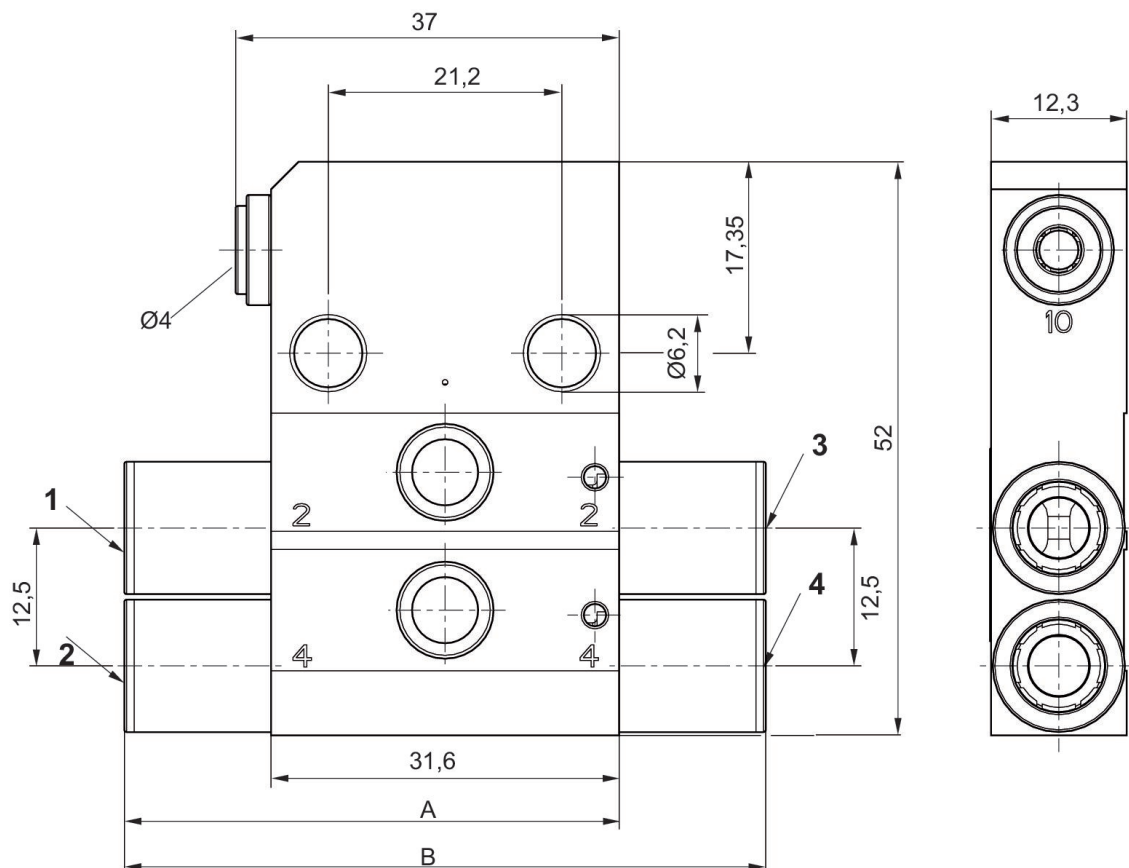
Exhaust module, Stand-Alone

Ambient temperature min./max.: -10 °C ... 60 °C
Working pressure min./max.: 0 bar ... 10 bar



	Compressed air connection 1	Housing material	Part No.
	Ø 4	Aluminum	R422003188
	Ø 6	Aluminum	R422003186
	Ø 8	Aluminum	R422003118

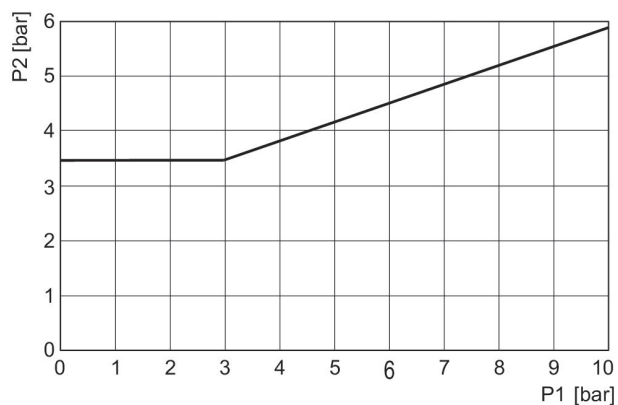
Dimensions



- 1) Connection 2, valve side
- 2) Connection 4, valve side
- 3) Operating line 2
- 4) Operating line 4

	2 (Nl/min±15%)	4 (Nl/min±15%)	A	B
R422003118	1080	1400	46	58
R422003186	720	790	42	50
R422003188	280	300	38	42

Minimum control pressure (depending on operating pressure)







p1 = pressure on connections 2 and 4, p2 = control pressure

Efficient pneumatic solutions, our program:
cylinders and drives, valves and valve systems,
air supply management, proportional pressure
control valves



Visit us: www.Emerson.com/aventics
Your local contact: Emerson.com/contactus

-  Emerson.com
-  Facebook.com/EmersonAutomationSolutions
-  LinkedIn.com/company/Emerson-Automation-Solutions
-  Twitter.com/EMR_Automation



The Emerson logo is a trademark and service mark of Emerson Electric Co. AVENTICS is a registered trademark of one of the Emerson family of companies. All other trademarks are the property of their respective owners. © 2020 Emerson Electric Co. All rights reserved.



CONSIDER IT SOLVED[®]