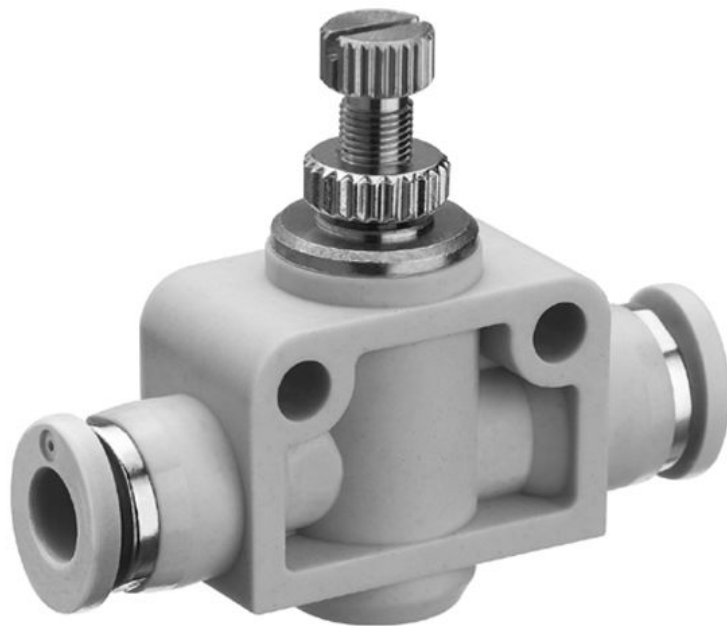


QR1



AVENTICS™

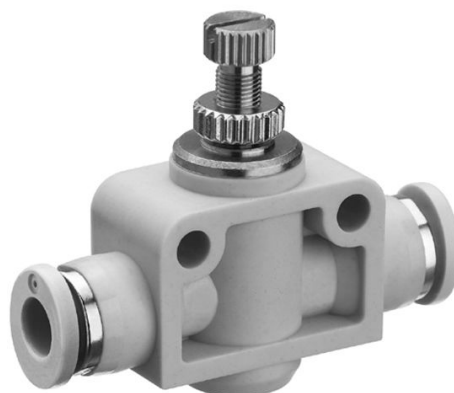
AVENTICS QR1 系列止回阀



## 系列 QR1

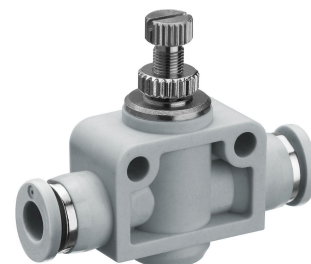
AVENTICS QR1 系列止回阀设计用于 60 l/min 至 875 l/min 的标准流量。

- $Q_n = 60 \text{ l/min} \dots 875 \text{ l/min}$
- Na základě optimalizace produktu se může dodaný artikl akutálně odlišovat od zobrazených rozměrů.



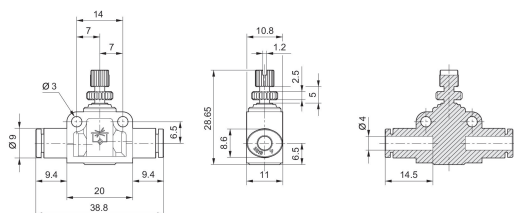
单向节流阀, 系列 QR1-DBS

快插接头  
快插接头

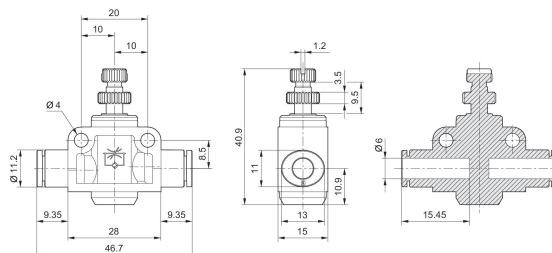


压缩空气接口 1	压缩空气接口 2	节流方向	额定流量 $Q_n$ 1 向 2 [l/min]	材料 : 外壳	物料号
Ø 4	Ø 4	1 > 2	60	聚酰胺	R412005454
Ø 6	Ø 6	1 > 2	135	聚酰胺	R412005455
Ø 8	Ø 8	1 > 2	200	聚酰胺	R412005456
Ø 10	Ø 10	1 > 2	550	聚酰胺	R412005457
Ø 12	Ø 12	1 > 2	875	聚酰胺	R412005458

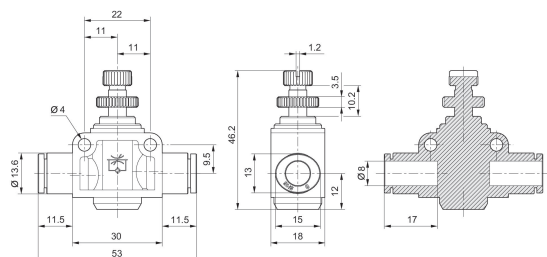
R412005454



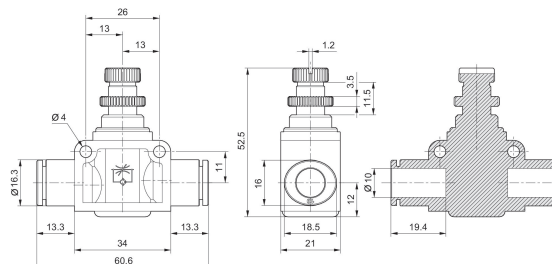
R412005455



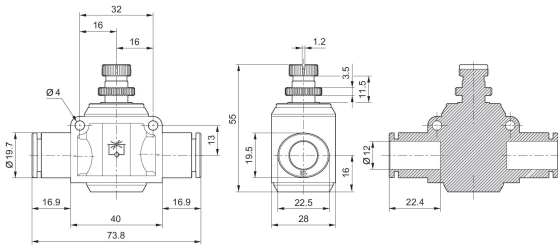
R412005456



R412005457

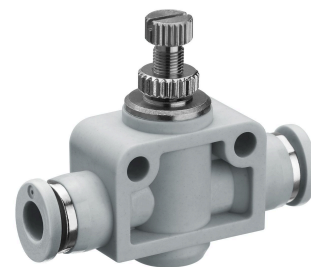
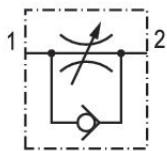


R412005458



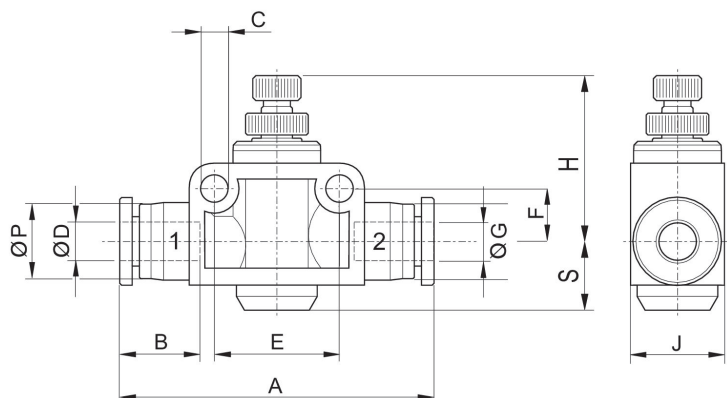
单向节流阀, 系列 QR1-DBS

快插接头  
快插接头



压缩空气接口 1	节流方向	额定流量 $Q_n$ 1 向 2 [l/min]	材料：外壳	物料号
Ø5/32	1 > 2	60	聚酯树脂	R432002382
Ø1/4	1 > 2	60	聚酯树脂	R432002383
Ø5/16	1 > 2	60	聚酯树脂	R432002384
Ø 3/8	1 > 2	60	聚酯树脂	R432002385
Ø1/2	1 > 2	60	聚酯树脂	R432002386

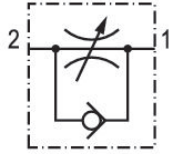
尺寸按英寸



物料号	Ø D	A	B	Ø C	J	H	S	Ø P
R432002382	Ø5/32	1.426	0.63	3.2	0.394	0.701	0.256	0.411
R432002383	Ø1/4	1.682	0.67	4.3	0.591	1.064	0.433	0.489
R432002384	Ø5/16	2.041	0.729	4.3	0.709	1.123	0.473	0.567
R432002385	Ø 3/8	2.348	0.827	4.3	0.827	1.34	0.473	0.693
R432002386	Ø1/2	2.813	0.887	4.3	1.103	1.32	0.63	0.835

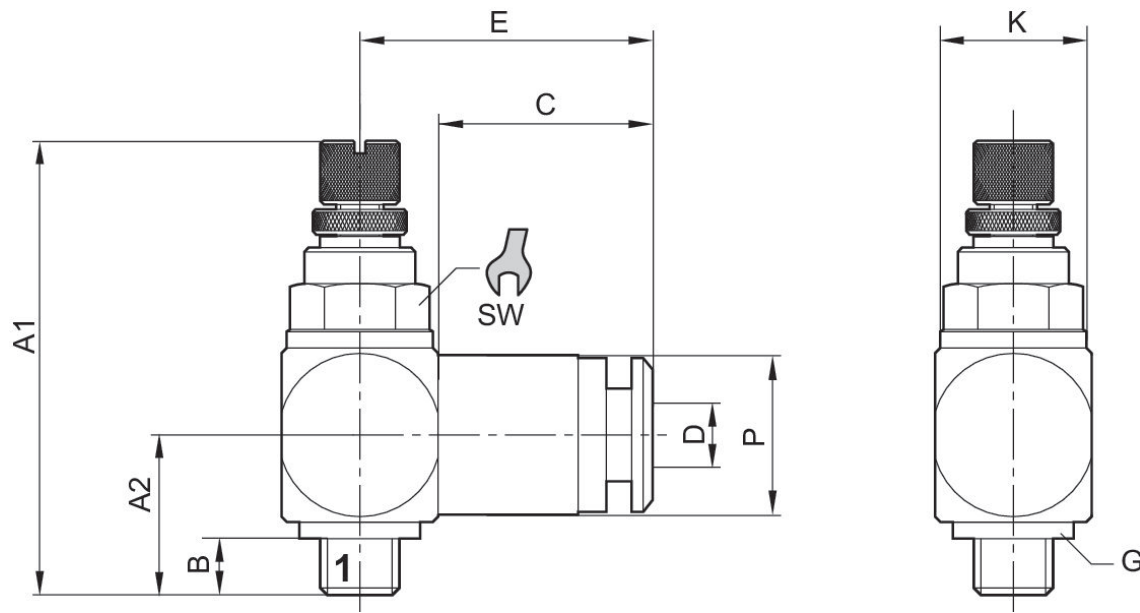
单向节流阀, 系列 QR1-DWA

快插接头  
外螺纹



压缩空气接口 1	压缩空气接口 2	节流方向	额定流量 $Q_n$ 1 向 2 [l/min]	材料 : 外壳	物料号
10-32 UNF	Ø5/32	2 > 1	2607.6	聚酯树脂	R432002367
10-32 UNF	Ø1/4	2 > 1	2607.6	聚酯树脂	R432002369
1/8 NPT	Ø5/32	2 > 1	5904	聚酯树脂	R432002368
1/8 NPT	Ø1/4	2 > 1	5904	聚酯树脂	R432002370
1/8 NPT	Ø5/16	2 > 1	5904	聚酯树脂	R432002373
1/4 NPT	Ø1/4	2 > 1	9721.92	聚酯树脂	R432002371
1/4 NPT	Ø5/16	2 > 1	9721.92	聚酯树脂	R432002374
1/4 NPT	Ø 3/8	2 > 1	9721.92	聚酯树脂	R432002377
3/8 NPT	Ø1/4	2 > 1	33003.36	聚酯树脂	R432002372
3/8 NPT	Ø5/16	2 > 1	33003.36	聚酯树脂	R432002375
3/8 NPT	Ø 3/8	2 > 1	33003.36	聚酯树脂	R432002378
3/8 NPT	Ø1/2	2 > 1	33003.36	聚酯树脂	R432002380
1/2 NPT	Ø5/16	2 > 1	53844.48	聚酯树脂	R432002376
1/2 NPT	Ø 3/8	2 > 1	53844.48	聚酯树脂	R432002379
1/2 NPT	Ø1/2	2 > 1	53844.48	聚酯树脂	R432002381

尺寸按英寸



通过螺钉调节节流阀

尺寸按英寸

物料号	Ø D	A1 (max)	A2	B	C	E	Ø K	SW	Ø P
R432002367	5/32	1,044	0,256	0,138	0,63	0,725	0,394	5/16	0,411
R432002369	1/4	1,852	0,591	0,493	0,67	0,839	0,394	5/16	0,489
R432002368	5/32	1,044	0,256	0,138	0,63	0,725	0,394	7/16	0,411
R432002370	1/4	1,418	0,473	0,276	0,67	0,855	0,567	7/16	0,489
R432002373	5/16	2,049	0,619	0,611	0,729	0,926	0,567	7/16	0,567
R432002371	1/4	1,635	0,493	0,394	0,67	0,938	0,725	9/16	0,489
R432002374	5/16	1,635	0,571	0,394	0,729	1,052	0,725	9/16	0,567
R432002377	3/8	1,852	0,69	0,493	0,827	1,202	0,725	9/16	0,693
R432002372	1/4	1,852	0,571	0,496	0,67	1,036	0,867	3/4	0,489
R432002375	5/16	1,852	0,63	0,496	0,729	1,068	0,867	3/4	0,567
R432002378	3/8	2,049	0,749	0,611	0,827	1,217	0,867	3/4	0,693
R432002380	1/2	2,049	0,749	0,496	0,887	1,371	0,867	3/4	0,835
R432002376	5/16	2,049	0,682	0,611	0,729	1,143	1,103	1	0,567
R432002379	3/8	2,049	0,749	0,611	0,827	1,292	1,103	1	0,693
R432002381	1/2	2,049	0,749	0,611	0,887	1,43	1,103	1	0,835

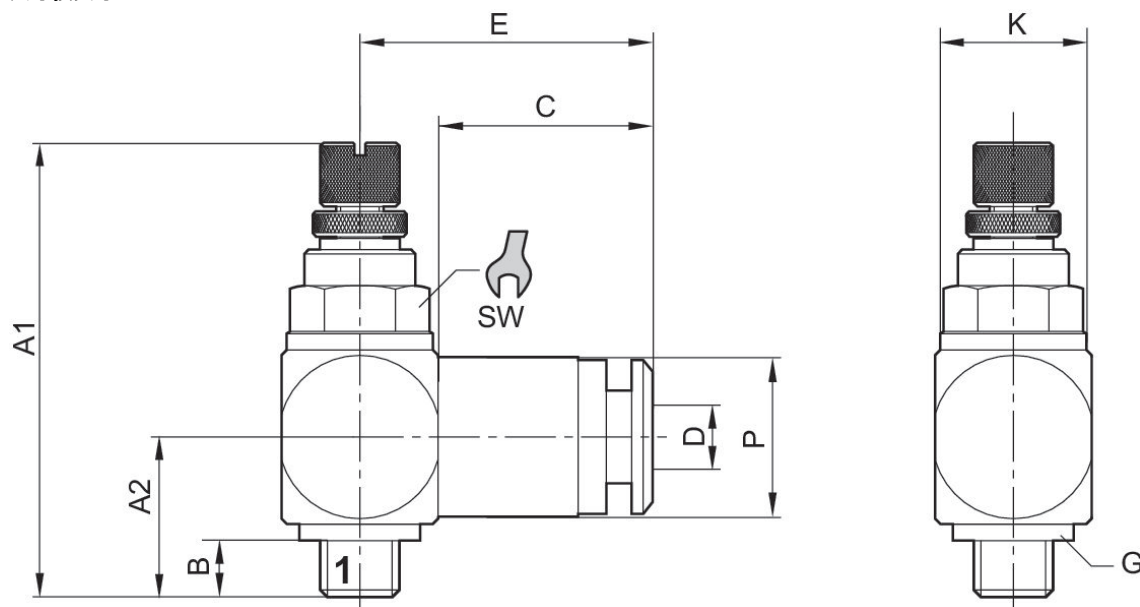
单向节流阀, 系列 QR1-DWA

快插接头  
外螺纹



压缩空气接口 1	压缩空气接口 2	节流方向	额定流量 $Q_n$ 1 向 2 [l/min]	材料 : 外壳	物料号
1/4 NPT	$\varnothing 1/4$	1 > 2	9721.92	聚酯树脂	R432000791
3/8 NPT	$\varnothing 3/8$	1 > 2	33003.36	聚酯树脂	R432000792
1/2 NPT	$\varnothing 1/2$	1 > 2	53844.48	聚酯树脂	R432000793

尺寸按英寸



通过螺钉调节节流阀

尺寸按英寸

物料号	G	$\varnothing D$	A1 (max)	A2	B	C	E	$\varnothing K$	SW	$\varnothing P$
R432000791	1/4 NPT	$\varnothing 1/4$	1.635	0.493	0.394	0.7	0.938	0.725	9/16	0.489
R432000792	3/8 NPT	$\varnothing 3/8$	2.049	0.749	0.611	0.8	1.217	0.867	3/4	0.693
R432000793	1/2 NPT	$\varnothing 1/2$	2.049	0.749	0.611	0.9	1.430	1.103	1	0.835



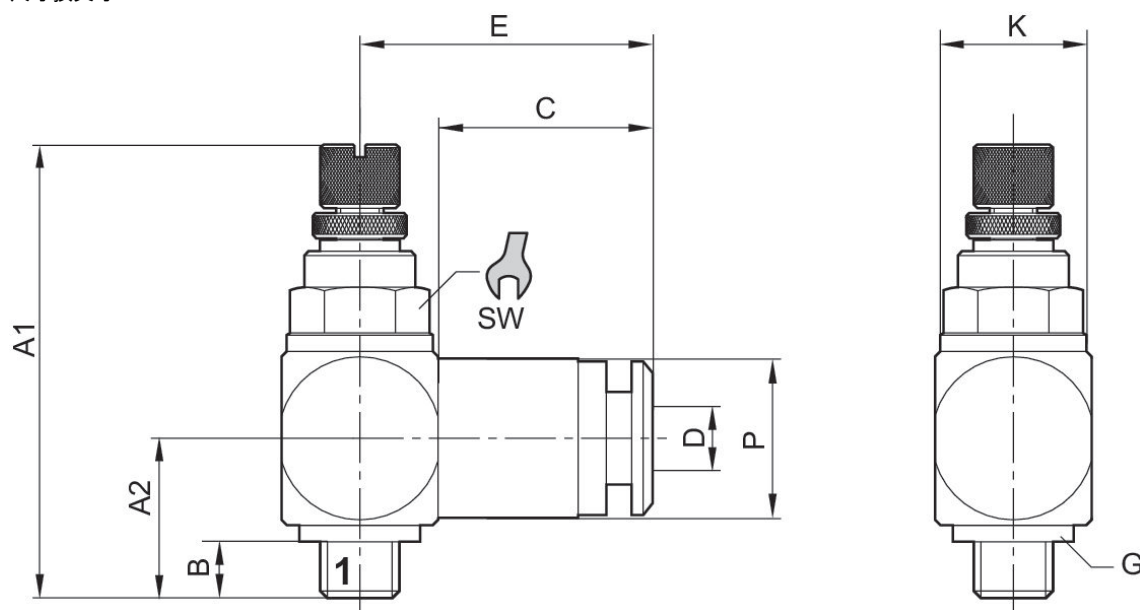
单向节流阀, 系列 QR1-DWB

快插接头  
外螺纹



压缩空气接口 1	压缩空气接口 2	节流方向	额定流量 $Q_n$ 1 向 2 [l/min]	材料 : 外壳	物料号
10-32 UNF	$\varnothing 1/8$	1 > 2	2607.6	聚酯树脂	R432002362
10-32 UNF	$\varnothing 5/32$	1 > 2	2607.6	聚酯树脂	R432002363
1/8 NPT	$\varnothing 5/32$	1 > 2	5904	聚酯树脂	R432002364
10-32 UNF	$\varnothing 1/4$	1 > 2	2607.6	聚酯树脂	R432002365
1/8 NPT	$\varnothing 1/4$	1 > 2	2607.6	聚酯树脂	R432002366

尺寸按英寸



通过螺钉调节节流阀

尺寸按英寸

物料号	G	$\varnothing D$	A1 (max)	A2	B	C	E	$\varnothing K$	SW	$\varnothing P$
R432002362	10-32 UNF	$\varnothing 1/8$	1,044	0.272	0.158	0.355	0.552	0,394	5/16	0.256
R432002363	10-32 UNF	$\varnothing 5/32$	1,044	0.252	0.158	0.461	0.617	0,394	5/16	0.315
R432002364	1/8 NPT	$\varnothing 5/32$	1,418	0.441	0.315	0.461	0.701	0.552	7/16	0.315
R432002365	10-32 UNF	$\varnothing 1/4$	1,044	0.252	0.158	0.473	0.662	0,394	5/16	0.411
R432002366	1/8 NPT	$\varnothing 1/4$	1,418	0.441	0.315	0.473	0.717	0.552	7/16	0.411



# Efficient pneumatic solutions, our program: cylinders and drives, valves and valve systems, air supply management



Visit us: [Emerson.com/Aventics](https://www.emerson.com/Aventics)

Your local contact: [Emerson.com/contactus](https://www.emerson.com/contactus)



[Emerson.com](https://www.emerson.com)



[Facebook.com/EmersonAutomationSolutions](https://www.facebook.com/EmersonAutomationSolutions)



[LinkedIn.com/company/Emerson-Automation-Solutions](https://www.linkedin.com/company/Emerson-Automation-Solutions)



[Twitter.com/EMR\\_Automation](https://twitter.com/EMR_Automation)

An example configuration is depicted on the title page. The delivered product may thus vary from that in the illustration. Subject to change. This Document, as well as the data, specifications and other information set forth in it, are the exclusive property of AVENTICS GmbH. It may not be reproduced or given to third parties without its consent. Only use the AVENTICS products shown in industrial applications. Read the product documentation completely and carefully before using the product. Observe the applicable regulations and laws of the respective country. When integrating the product into applications, note the system manufacturer's specifications for safe use of the product. The data specified only serve to describe the product. No statements concerning a certain condition or suitability for a certain application can be derived from our information. The information given does not release the user from the obligation of own judgment and verification. It must be remembered that the products are subject to a natural process of wear and aging.

The Emerson logo is a trademark and service mark of Emerson Electric Co. Brand logotype are registered trademarks of one of the Emerson family of companies. All other marks are the property of their respective owners. © 2019 Emerson Electric Co. All rights reserved.



**CONSIDER IT SOLVED™**