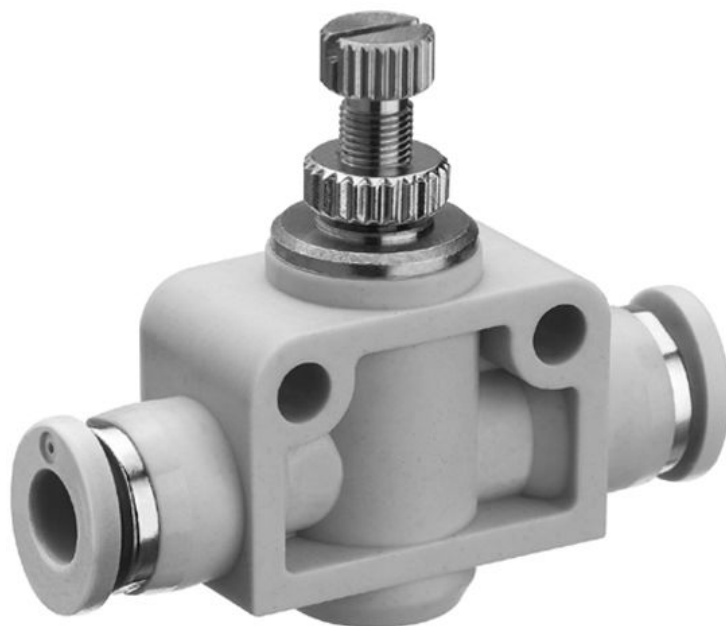


QR1



AVENTICS™

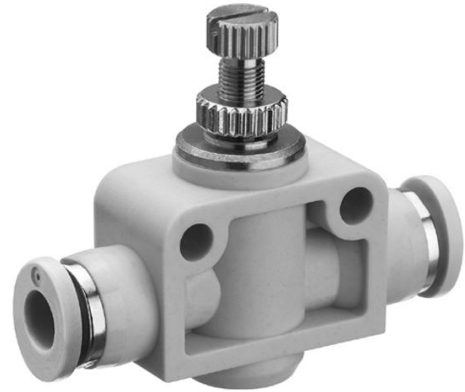
**Válvulas estranguladora
antirretorno serie QR1 de
AVENTICS**


EMERSON™

Serie QR1

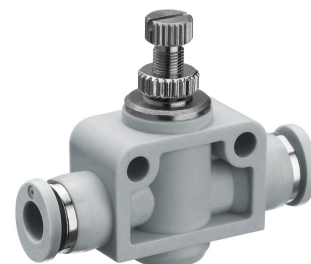
La válvula estranguladora antirretorno serie QR1 de AVENTICS está diseñada para caudales nominales de 60 l/min a 875 l/min.

- $Q_n = 60 \text{ l/min} \dots 875 \text{ l/min}$
- A causa de la optimización del producto, el artículo suministrado puede diferir de las dimensiones representadas.



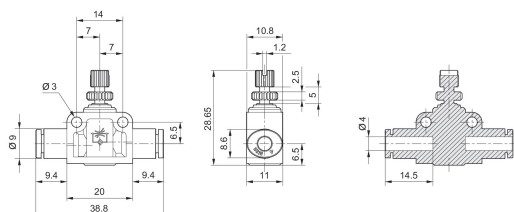
Válvula estranguladora antirretorno, Serie QR1-DBS

Racor instantáneo
Racor instantáneo

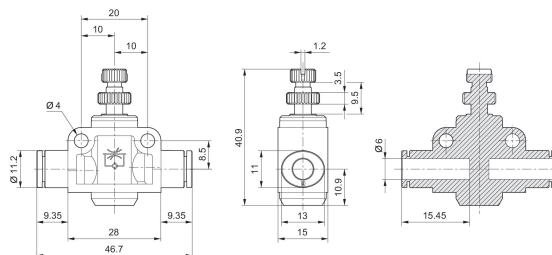


Conexión de aire comprimido 1	Conexión de aire comprimido 2	Sentido del estrangulador	Caudal nominal Qn 1 a la 2 [l/min]	Material carcasa	N° de material
Ø 4	Ø 4	1 > 2	60	Poliamida	R412005454
Ø 6	Ø 6	1 > 2	135	Poliamida	R412005455
Ø 8	Ø 8	1 > 2	200	Poliamida	R412005456
Ø 10	Ø 10	1 > 2	550	Poliamida	R412005457
Ø 12	Ø 12	1 > 2	875	Poliamida	R412005458

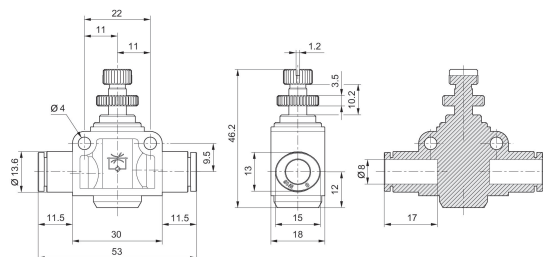
R412005454



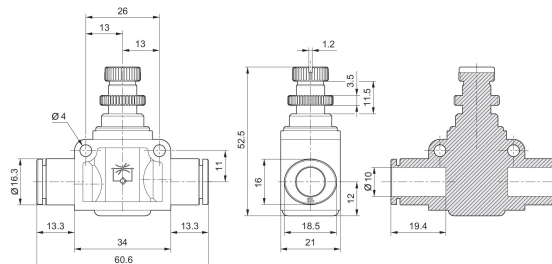
R412005455



R412005456

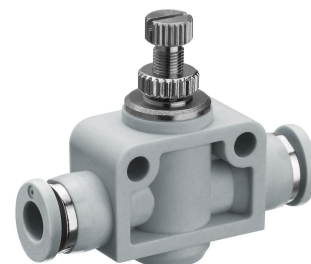


R412005457



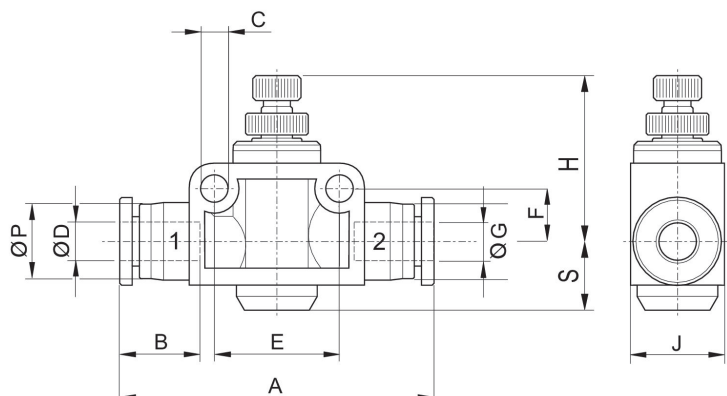
Válvula estranguladora antirretorno, Serie QR1-DBS

Racor instantáneo
Racor instantáneo



Conexión de aire comprimido 1	Sentido del estrangulador	Caudal nominal Qn 1 a la 2 [l/min]	Material carcasa	N° de material
Ø5/32	1 > 2	60	polibutilenotereftalato	R432002382
Ø1/4	1 > 2	60	polibutilenotereftalato	R432002383
Ø5/16	1 > 2	60	polibutilenotereftalato	R432002384
Ø 3/8	1 > 2	60	polibutilenotereftalato	R432002385
Ø1/2	1 > 2	60	polibutilenotereftalato	R432002386

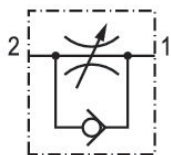
Dimensiones en pulgadas



N° de material	Ø D	A	B	Ø C	J	H	S	Ø P
R432002382	Ø5/32	1.426	0.63	3.2	0.394	0.701	0.256	0.411
R432002383	Ø1/4	1.682	0.67	4.3	0.591	1.064	0.433	0.489
R432002384	Ø5/16	2.041	0.729	4.3	0.709	1.123	0.473	0.567
R432002385	Ø 3/8	2.348	0.827	4.3	0.827	1.34	0.473	0.693
R432002386	Ø1/2	2.813	0.887	4.3	1.103	1.32	0.63	0.835

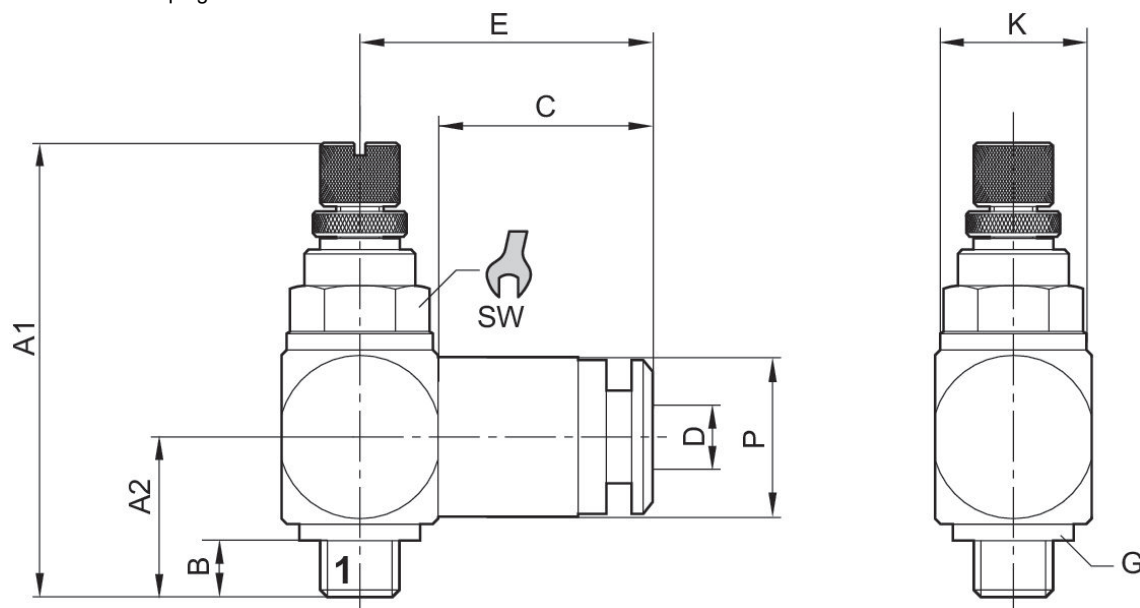
Válvula estranguladora antirretorno, Serie QR1-DWA

Racor instantáneo
rosca exterior



Conexión de aire comprimido 1	Conexión de aire comprimido 2	Sentido del estrangulador	Caudal nominal Qn 1 a la 2 [l/min]	Material carcasa	N° de material
10-32 UNF	Ø5/32	2 > 1	2607.6	polibutilenotereftalato	R432002367
10-32 UNF	Ø1/4	2 > 1	2607.6	polibutilenotereftalato	R432002369
1/8 NPT	Ø5/32	2 > 1	5904	polibutilenotereftalato	R432002368
1/8 NPT	Ø1/4	2 > 1	5904	polibutilenotereftalato	R432002370
1/8 NPT	Ø5/16	2 > 1	5904	polibutilenotereftalato	R432002373
1/4 NPT	Ø1/4	2 > 1	9721.92	polibutilenotereftalato	R432002371
1/4 NPT	Ø5/16	2 > 1	9721.92	polibutilenotereftalato	R432002374
1/4 NPT	Ø 3/8	2 > 1	9721.92	polibutilenotereftalato	R432002377
3/8 NPT	Ø1/4	2 > 1	33003.36	polibutilenotereftalato	R432002372
3/8 NPT	Ø5/16	2 > 1	33003.36	polibutilenotereftalato	R432002375
3/8 NPT	Ø 3/8	2 > 1	33003.36	polibutilenotereftalato	R432002378
3/8 NPT	Ø1/2	2 > 1	33003.36	polibutilenotereftalato	R432002380
1/2 NPT	Ø5/16	2 > 1	53844.48	polibutilenotereftalato	R432002376
1/2 NPT	Ø 3/8	2 > 1	53844.48	polibutilenotereftalato	R432002379
1/2 NPT	Ø1/2	2 > 1	53844.48	polibutilenotereftalato	R432002381

Dimensiones en pulgadas



ajuste del estrangulador mediante tornillo moleteado

Dimensiones en pulgadas

N° de material	Ø D	A1 (max)	A2	B	C	E	Ø K	SW	Ø P
R432002367	5/32	1,044	0,256	0,138	0,63	0,725	0,394	5/16	0,411
R432002369	1/4	1,852	0,591	0,493	0,67	0,839	0,394	5/16	0,489
R432002368	5/32	1,044	0,256	0,138	0,63	0,725	0,394	7/16	0,411
R432002370	1/4	1,418	0,473	0,276	0,67	0,855	0,567	7/16	0,489
R432002373	5/16	2,049	0,619	0,611	0,729	0,926	0,567	7/16	0,567
R432002371	1/4	1,635	0,493	0,394	0,67	0,938	0,725	9/16	0,489
R432002374	5/16	1,635	0,571	0,394	0,729	1,052	0,725	9/16	0,567
R432002377	3/8	1,852	0,69	0,493	0,827	1,202	0,725	9/16	0,693
R432002372	1/4	1,852	0,571	0,496	0,67	1,036	0,867	3/4	0,489
R432002375	5/16	1,852	0,63	0,496	0,729	1,068	0,867	3/4	0,567
R432002378	3/8	2,049	0,749	0,611	0,827	1,217	0,867	3/4	0,693
R432002380	1/2	2,049	0,749	0,496	0,887	1,371	0,867	3/4	0,835
R432002376	5/16	2,049	0,682	0,611	0,729	1,143	1,103	1	0,567
R432002379	3/8	2,049	0,749	0,611	0,827	1,292	1,103	1	0,693
R432002381	1/2	2,049	0,749	0,611	0,887	1,43	1,103	1	0,835

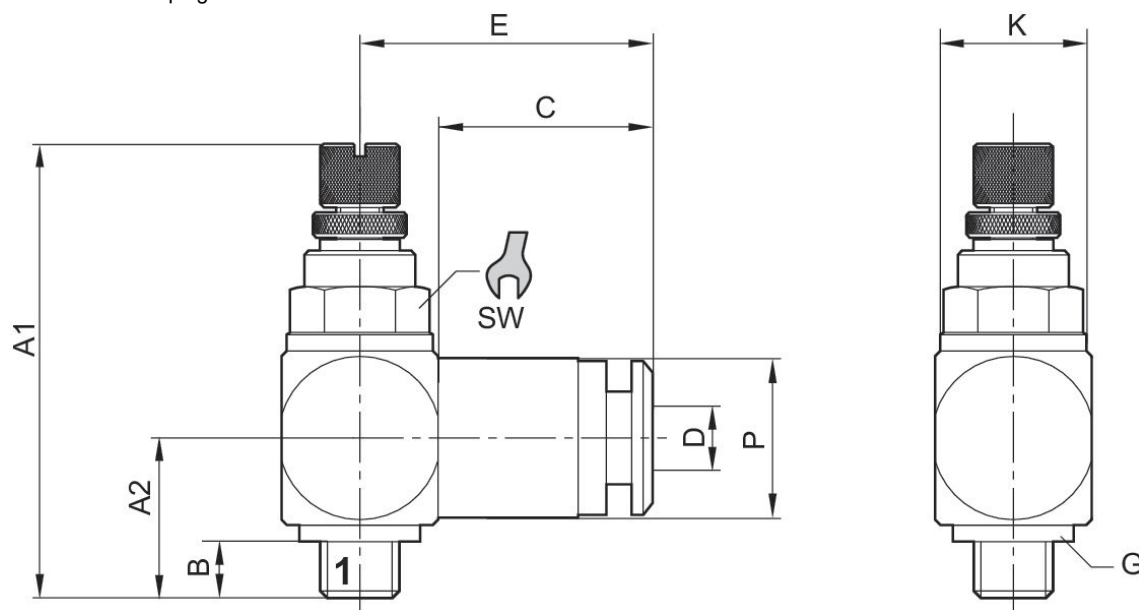
Válvula estranguladora antirretorno, Serie QR1-DWA

Racor instantáneo
rosca exterior



Conexión de aire comprimido 1	Conexión de aire comprimido 2	Sentido del estrangulador	Caudal nominal Qn 1 a la 2 [l/min]	Material carcasa	N° de material
1/4 NPT	Ø1/4	1 > 2	9721.92	polibutilenotereftalato	R432000791
3/8 NPT	Ø 3/8	1 > 2	33003.36	polibutilenotereftalato	R432000792
1/2 NPT	Ø1/2	1 > 2	53844.48	polibutilenotereftalato	R432000793

Dimensiones en pulgadas



ajuste del estrangulador mediante tornillo moleteado

Dimensiones en pulgadas

N° de material	G	Ø D	A1 (max)	A2	B	C	E	Ø K	SW	Ø P
R432000791	1/4 NPT	Ø1/4	1.635	0.493	0.394	0.7	0.938	0.725	9/16	0.489
R432000792	3/8 NPT	Ø3/8	2.049	0.749	0.611	0.8	1.217	0.867	3/4	0.693
R432000793	1/2 NPT	Ø1/2	2.049	0.749	0.611	0.9	1.430	1.103	1	0.835

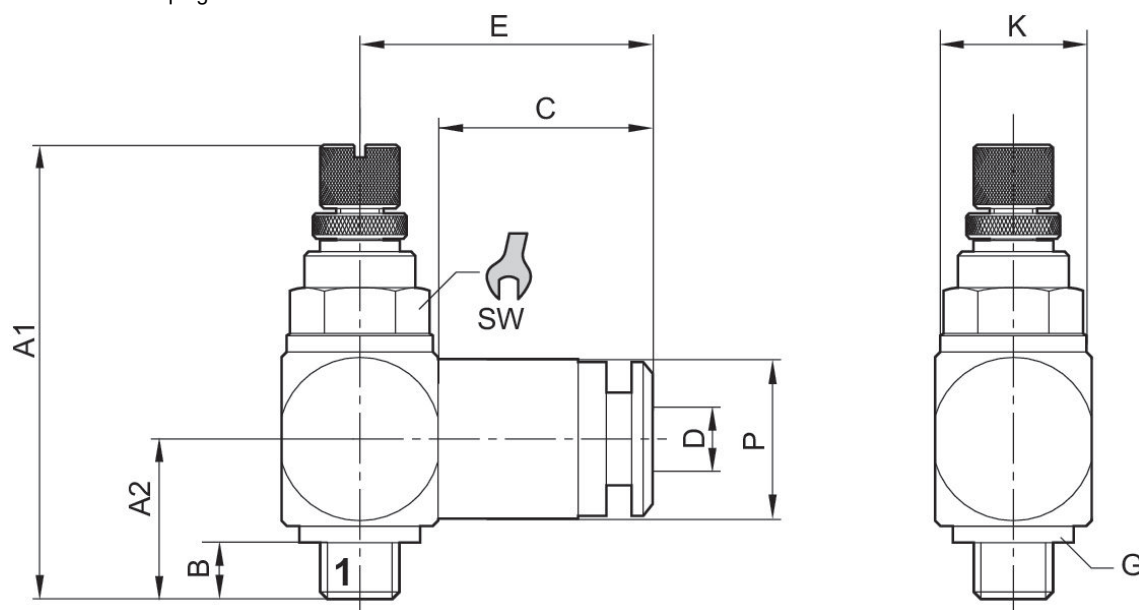
Válvula estranguladora antirretorno, Serie QR1-DWB

Racor instantáneo
rosca exterior



Conexión de aire comprimido 1	Conexión de aire comprimido 2	Sentido del estrangulador	Caudal nominal Qn 1 a la 2 [l/min]	Material carcasa	N° de material
10-32 UNF	Ø1/8	1 > 2	2607.6	polibutilenotereftalato	R432002362
10-32 UNF	Ø5/32	1 > 2	2607.6	polibutilenotereftalato	R432002363
1/8 NPT	Ø5/32	1 > 2	5904	polibutilenotereftalato	R432002364
10-32 UNF	Ø1/4	1 > 2	2607.6	polibutilenotereftalato	R432002365
1/8 NPT	Ø1/4	1 > 2	2607.6	polibutilenotereftalato	R432002366

Dimensiones en pulgadas



ajuste del estrangulador mediante tornillo moleteado

Dimensiones en pulgadas

N° de material	G	Ø D	A1 (max)	A2	B	C	E	Ø K	SW	Ø P
R432002362	10-32 UNF	Ø1/8	1,044	0.272	0.158	0.355	0.552	0,394	5/16	0.256
R432002363	10-32 UNF	Ø5/32	1,044	0.252	0.158	0.461	0.617	0,394	5/16	0.315
R432002364	1/8 NPT	Ø5/32	1,418	0.441	0.315	0.461	0.701	0.552	7/16	0.315
R432002365	10-32 UNF	Ø1/4	1,044	0.252	0.158	0.473	0.662	0,394	5/16	0.411

N° de material	G	Ø D	A1 (max)	A2	B	C	E	Ø K	SW	Ø P
R432002366	1/8 NPT	Ø1/4	1,418	0.441	0.315	0.473	0.717	0.552	7/16	0.411

Efficient pneumatic solutions, our program: cylinders and drives, valves and valve systems, air supply management



Visit us: [Emerson.com/Aventics](https://www.emerson.com/aventics)

Your local contact: [Emerson.com/contactus](https://www.emerson.com/contactus)



[Emerson.com](https://www.emerson.com)



[Facebook.com/EmersonAutomationSolutions](https://www.facebook.com/EmersonAutomationSolutions)



[LinkedIn.com/company/Emerson-Automation-Solutions](https://www.linkedin.com/company/Emerson-Automation-Solutions)



[Twitter.com/EMR_Automation](https://twitter.com/EMR_Automation)

An example configuration is depicted on the title page. The delivered product may thus vary from that in the illustration. Subject to change. This Document, as well as the data, specifications and other information set forth in it, are the exclusive property of AVENTICS GmbH. It may not be reproduced or given to third parties without its consent. Only use the AVENTICS products shown in industrial applications. Read the product documentation completely and carefully before using the product. Observe the applicable regulations and laws of the respective country. When integrating the product into applications, note the system manufacturer's specifications for safe use of the product. The data specified only serve to describe the product. No statements concerning a certain condition or suitability for a certain application can be derived from our information. The information given does not release the user from the obligation of own judgment and verification. It must be remembered that the products are subject to a natural process of wear and aging.

The Emerson logo is a trademark and service mark of Emerson Electric Co. Brand logotype are registered trademarks of one of the Emerson family of companies. All other marks are the property of their respective owners. © 2019 Emerson Electric Co. All rights reserved.



CONSIDER IT SOLVED™