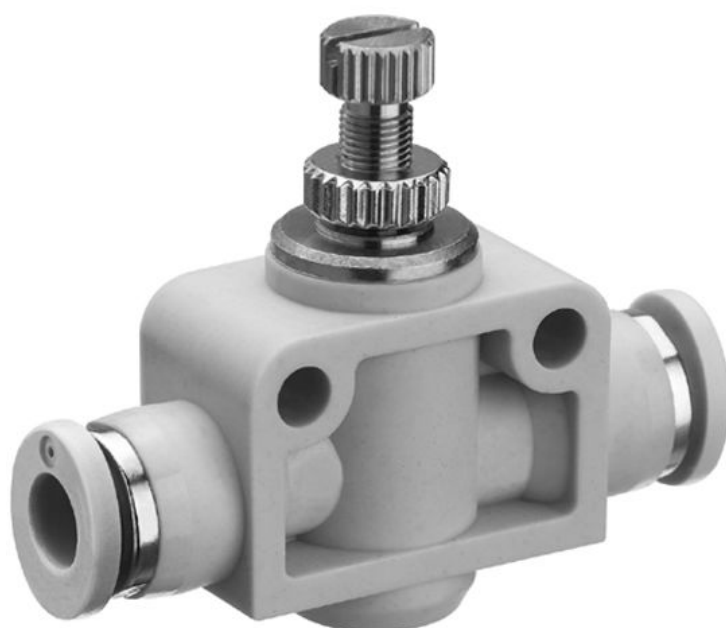


QR1



AVENTICS™

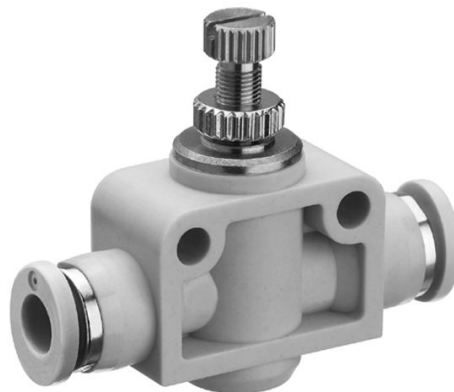
**Valvola regolatrice di flusso
unidirezionale AVENTICS Serie
QR1**


EMERSON™

Serie QR1

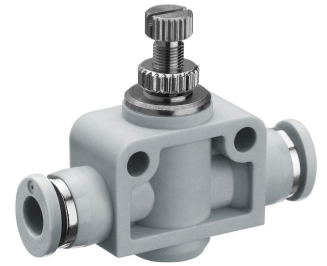
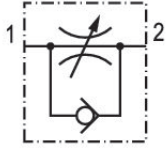
La valvola regolatrice di flusso unidirezionale AVENTICS Serie QR1 è progettata per portate nominali da 60 l/min a 875 l/min.

- $Q_n = 60 \text{ l/min} \dots 875 \text{ l/min}$
- A seguito dell'ottimizzazione del prodotto, l'articolo consegnato può differire attualmente dalle dimensioni rappresentate.



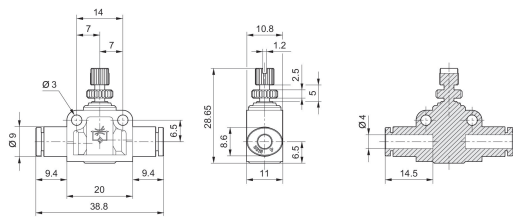
QR1-DWValvola di strozzamento antiritorno, Serie QR1-DBS

Raccordo ad innesto
Raccordo ad innesto

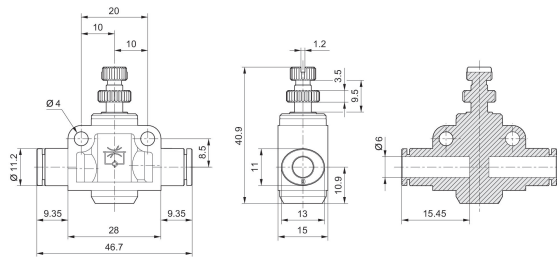


| Raccordo aria compressa 1 | Raccordo aria compressa 2 | Direzione di strozzamento | Portata nominale Qn 1 a 2 [l/min] | Materiale corpo | Codice |
|---------------------------|---------------------------|---------------------------|-----------------------------------|-----------------|------------|
| Ø 4 | Ø 4 | 1 > 2 | 60 | Poliammide | R412005454 |
| Ø 6 | Ø 6 | 1 > 2 | 135 | Poliammide | R412005455 |
| Ø 8 | Ø 8 | 1 > 2 | 200 | Poliammide | R412005456 |
| Ø 10 | Ø 10 | 1 > 2 | 550 | Poliammide | R412005457 |
| Ø 12 | Ø 12 | 1 > 2 | 875 | Poliammide | R412005458 |

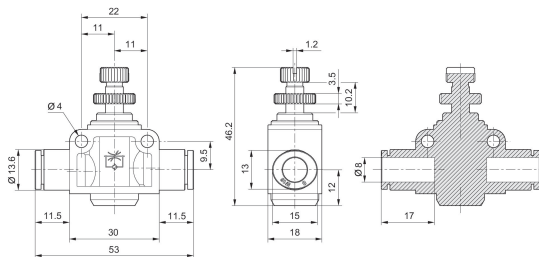
R412005454



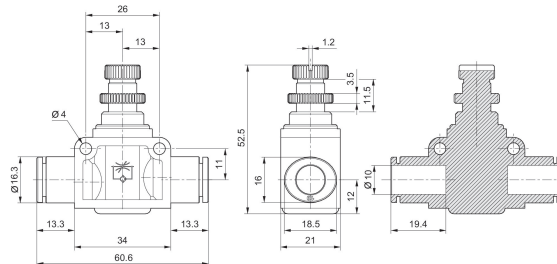
R412005455



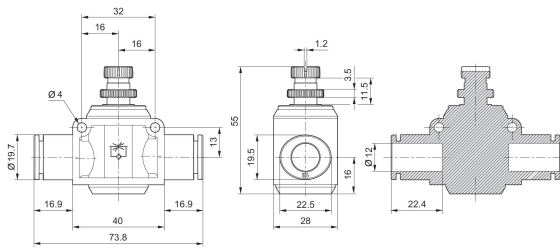
R412005456



R412005457

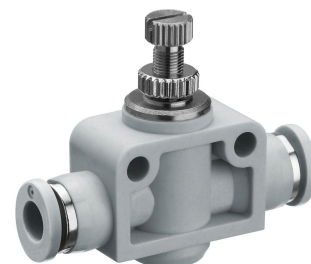


R412005458



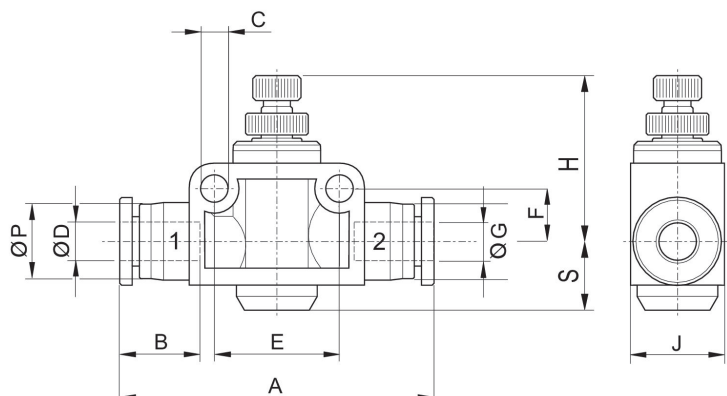
QR1-DWA Valvola di strozzamento antiritorno, Serie QR1-DBS

Raccordo ad innesto
Raccordo ad innesto



| Raccordo aria compressa 1 | Direzione di strozzamento | Portata nominale Qn 1 a 2 [l/min] | Materiale corpo | Codice |
|---------------------------|---------------------------|-----------------------------------|-------------------------|------------|
| Ø5/32 | 1 > 2 | 60 | polibutilenetereftalato | R432002382 |
| Ø1/4 | 1 > 2 | 60 | polibutilenetereftalato | R432002383 |
| Ø5/16 | 1 > 2 | 60 | polibutilenetereftalato | R432002384 |
| Ø 3/8 | 1 > 2 | 60 | polibutilenetereftalato | R432002385 |
| Ø1/2 | 1 > 2 | 60 | polibutilenetereftalato | R432002386 |

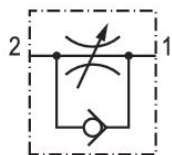
Dimensioni in pollici



| Codice | Ø D | A | B | Ø C | J | H | S | Ø P |
|------------|-------|-------|-------|-----|-------|-------|-------|-------|
| R432002382 | Ø5/32 | 1.426 | 0.63 | 3.2 | 0.394 | 0.701 | 0.256 | 0.411 |
| R432002383 | Ø1/4 | 1.682 | 0.67 | 4.3 | 0.591 | 1.064 | 0.433 | 0.489 |
| R432002384 | Ø5/16 | 2.041 | 0.729 | 4.3 | 0.709 | 1.123 | 0.473 | 0.567 |
| R432002385 | Ø 3/8 | 2.348 | 0.827 | 4.3 | 0.827 | 1.34 | 0.473 | 0.693 |
| R432002386 | Ø1/2 | 2.813 | 0.887 | 4.3 | 1.103 | 1.32 | 0.63 | 0.835 |

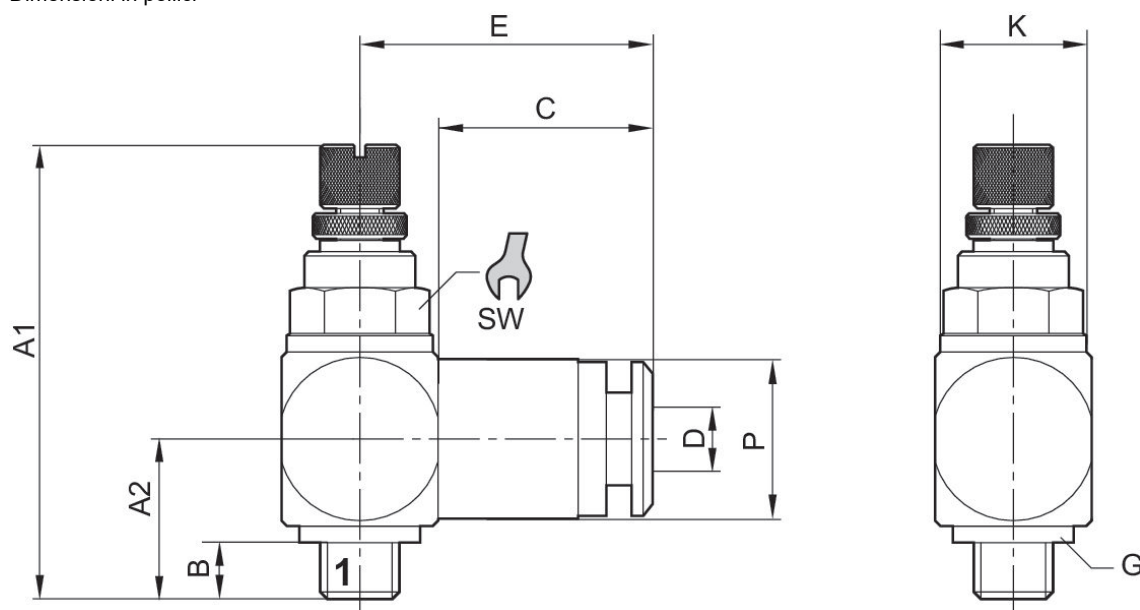
QR1-DWA Valvola di strozzamento antiritorno, Serie CC02

Raccordo ad innesto
filettatura esterna



| Raccordo aria compressa 1 | Raccordo aria compressa 2 | Direzione di strozzamento | Portata nominale Qn 1 a 2 [l/min] | Materiale corpo | Codice |
|---------------------------|---------------------------|---------------------------|-----------------------------------|------------------------|------------|
| 10-32 UNF | Ø5/32 | 2 > 1 | 2607.6 | polibutileneterefalato | R432002367 |
| 10-32 UNF | Ø1/4 | 2 > 1 | 2607.6 | polibutileneterefalato | R432002369 |
| 1/8 NPT | Ø5/32 | 2 > 1 | 5904 | polibutileneterefalato | R432002368 |
| 1/8 NPT | Ø1/4 | 2 > 1 | 5904 | polibutileneterefalato | R432002370 |
| 1/8 NPT | Ø5/16 | 2 > 1 | 5904 | polibutileneterefalato | R432002373 |
| 1/4 NPT | Ø1/4 | 2 > 1 | 9721.92 | polibutileneterefalato | R432002371 |
| 1/4 NPT | Ø5/16 | 2 > 1 | 9721.92 | polibutileneterefalato | R432002374 |
| 1/4 NPT | Ø 3/8 | 2 > 1 | 9721.92 | polibutileneterefalato | R432002377 |
| 3/8 NPT | Ø1/4 | 2 > 1 | 33003.36 | polibutileneterefalato | R432002372 |
| 3/8 NPT | Ø5/16 | 2 > 1 | 33003.36 | polibutileneterefalato | R432002375 |
| 3/8 NPT | Ø 3/8 | 2 > 1 | 33003.36 | polibutileneterefalato | R432002378 |
| 3/8 NPT | Ø1/2 | 2 > 1 | 33003.36 | polibutileneterefalato | R432002380 |
| 1/2 NPT | Ø5/16 | 2 > 1 | 53844.48 | polibutileneterefalato | R432002376 |
| 1/2 NPT | Ø 3/8 | 2 > 1 | 53844.48 | polibutileneterefalato | R432002379 |
| 1/2 NPT | Ø1/2 | 2 > 1 | 53844.48 | polibutileneterefalato | R432002381 |

Dimensioni in pollici



impostazione dello strozzamento tramite vite zigrinata

Dimensioni in pollici

| Codice | Ø D | A1 (max) | A2 | B | C | E | Ø K | SW | Ø P |
|------------|------|----------|-------|-------|-------|-------|-------|------|-------|
| R432002367 | 5/32 | 1,044 | 0,256 | 0,138 | 0,63 | 0,725 | 0,394 | 5/16 | 0,411 |
| R432002369 | 1/4 | 1,852 | 0,591 | 0,493 | 0,67 | 0,839 | 0,394 | 5/16 | 0,489 |
| R432002368 | 5/32 | 1,044 | 0,256 | 0,138 | 0,63 | 0,725 | 0,394 | 7/16 | 0,411 |
| R432002370 | 1/4 | 1,418 | 0,473 | 0,276 | 0,67 | 0,855 | 0,567 | 7/16 | 0,489 |
| R432002373 | 5/16 | 2,049 | 0,619 | 0,611 | 0,729 | 0,926 | 0,567 | 7/16 | 0,567 |
| R432002371 | 1/4 | 1,635 | 0,493 | 0,394 | 0,67 | 0,938 | 0,725 | 9/16 | 0,489 |
| R432002374 | 5/16 | 1,635 | 0,571 | 0,394 | 0,729 | 1,052 | 0,725 | 9/16 | 0,567 |
| R432002377 | 3/8 | 1,852 | 0,69 | 0,493 | 0,827 | 1,202 | 0,725 | 9/16 | 0,693 |
| R432002372 | 1/4 | 1,852 | 0,571 | 0,496 | 0,67 | 1,036 | 0,867 | 3/4 | 0,489 |
| R432002375 | 5/16 | 1,852 | 0,63 | 0,496 | 0,729 | 1,068 | 0,867 | 3/4 | 0,567 |
| R432002378 | 3/8 | 2,049 | 0,749 | 0,611 | 0,827 | 1,217 | 0,867 | 3/4 | 0,693 |
| R432002380 | 1/2 | 2,049 | 0,749 | 0,496 | 0,887 | 1,371 | 0,867 | 3/4 | 0,835 |
| R432002376 | 5/16 | 2,049 | 0,682 | 0,611 | 0,729 | 1,143 | 1,103 | 1 | 0,567 |
| R432002379 | 3/8 | 2,049 | 0,749 | 0,611 | 0,827 | 1,292 | 1,103 | 1 | 0,693 |
| R432002381 | 1/2 | 2,049 | 0,749 | 0,611 | 0,887 | 1,43 | 1,103 | 1 | 0,835 |

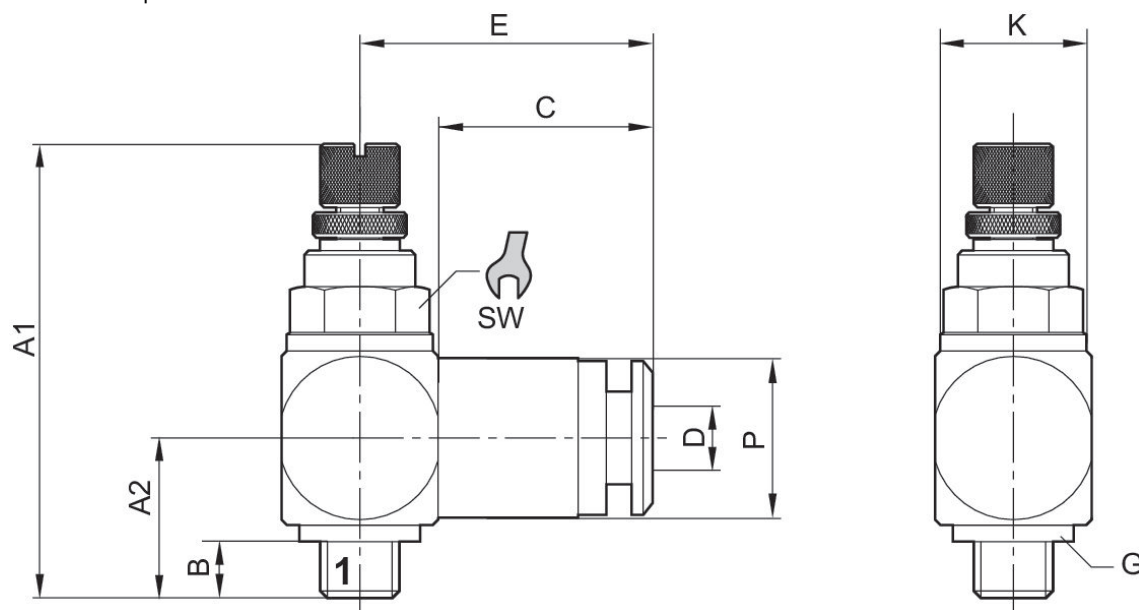
QR1-DWA Valvola di strozzamento antiritorno, Serie CC02

Raccordo ad innesto
filettatura esterna



| Raccordo aria compressa 1 | Raccordo aria compressa 2 | Direzione di strozzamento | Portata nominale Qn 1 a 2 [l/min] | Materiale corpo | Codice |
|---------------------------|---------------------------|---------------------------|-----------------------------------|-------------------------|------------|
| 1/4 NPT | Ø1/4 | 1 > 2 | 9721.92 | polibutilenetereftalato | R432000791 |
| 3/8 NPT | Ø 3/8 | 1 > 2 | 33003.36 | polibutilenetereftalato | R432000792 |
| 1/2 NPT | Ø1/2 | 1 > 2 | 53844.48 | polibutilenetereftalato | R432000793 |

Dimensioni in pollici



impostazione dello strozzamento tramite vite zigrinata

Dimensioni in pollici

| Codice | G | Ø D | A1 (max) | A2 | B | C | E | Ø K | SW | Ø P |
|------------|---------|------|----------|-------|-------|-----|-------|-------|------|-------|
| R432000791 | 1/4 NPT | Ø1/4 | 1.635 | 0.493 | 0.394 | 0.7 | 0.938 | 0.725 | 9/16 | 0.489 |
| R432000792 | 3/8 NPT | Ø3/8 | 2.049 | 0.749 | 0.611 | 0.8 | 1.217 | 0.867 | 3/4 | 0.693 |
| R432000793 | 1/2 NPT | Ø1/2 | 2.049 | 0.749 | 0.611 | 0.9 | 1.430 | 1.103 | 1 | 0.835 |

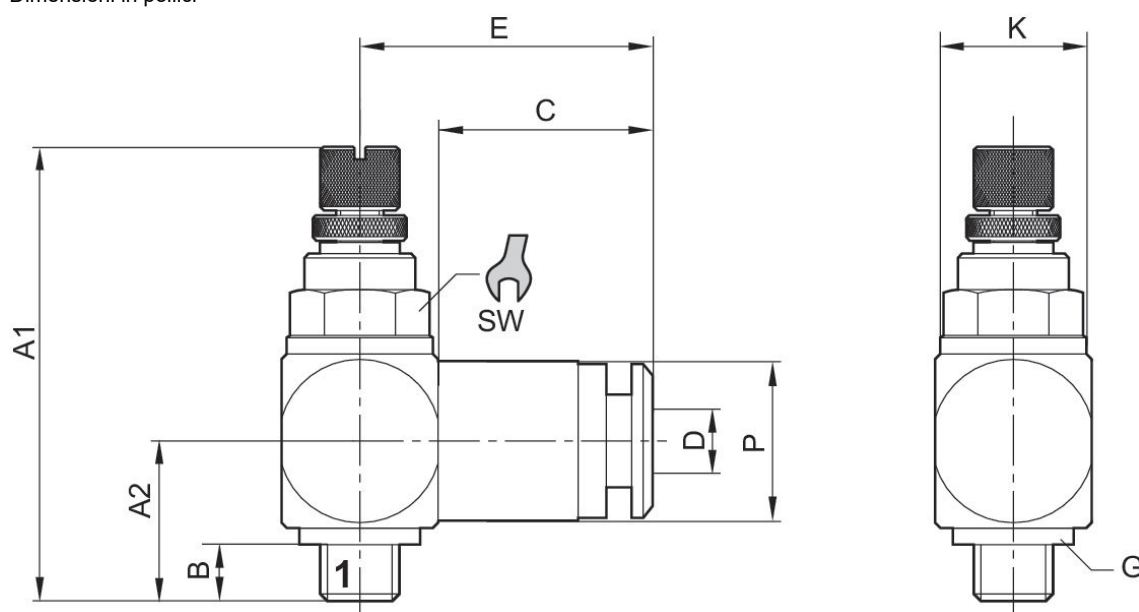
QR1-DWA Valvola di strozzamento antiritorno, Serie QR1-DWB

Raccordo ad innesto
filettatura esterna



| Raccordo aria compressa 1 | Raccordo aria compressa 2 | Direzione di strozzamento | Portata nominale Qn 1 a 2 [l/min] | Materiale corpo | Codice |
|---------------------------|---------------------------|---------------------------|-----------------------------------|-------------------------|------------|
| 10-32 UNF | Ø1/8 | 1 > 2 | 2607.6 | polibutilenetereftalato | R432002362 |
| 10-32 UNF | Ø5/32 | 1 > 2 | 2607.6 | polibutilenetereftalato | R432002363 |
| 1/8 NPT | Ø5/32 | 1 > 2 | 5904 | polibutilenetereftalato | R432002364 |
| 10-32 UNF | Ø1/4 | 1 > 2 | 2607.6 | polibutilenetereftalato | R432002365 |
| 1/8 NPT | Ø1/4 | 1 > 2 | 2607.6 | polibutilenetereftalato | R432002366 |

Dimensioni in pollici



impostazione dello strozzamento tramite vite zigrinata

Dimensioni in pollici

| Codice | G | Ø D | A1 (max) | A2 | B | C | E | Ø K | SW | Ø P |
|------------|-----------|-------|----------|-------|-------|-------|-------|-------|------|-------|
| R432002362 | 10-32 UNF | Ø1/8 | 1,044 | 0.272 | 0.158 | 0.355 | 0.552 | 0,394 | 5/16 | 0.256 |
| R432002363 | 10-32 UNF | Ø5/32 | 1,044 | 0.252 | 0.158 | 0.461 | 0.617 | 0,394 | 5/16 | 0.315 |
| R432002364 | 1/8 NPT | Ø5/32 | 1,418 | 0.441 | 0.315 | 0.461 | 0.701 | 0.552 | 7/16 | 0.315 |
| R432002365 | 10-32 UNF | Ø1/4 | 1,044 | 0.252 | 0.158 | 0.473 | 0.662 | 0,394 | 5/16 | 0.411 |

| Codice | G | Ø D | A1 (max) | A2 | B | C | E | Ø K | SW | Ø P |
|------------|---------|------|----------|-------|-------|-------|-------|-------|------|-------|
| R432002366 | 1/8 NPT | Ø1/4 | 1,418 | 0.441 | 0.315 | 0.473 | 0.717 | 0.552 | 7/16 | 0.411 |

Efficient pneumatic solutions, our program: cylinders and drives, valves and valve systems, air supply management



Visit us: [Emerson.com/Aventics](https://www.emerson.com/aventics)

Your local contact: [Emerson.com/contactus](https://www.emerson.com/contactus)



[Emerson.com](https://www.emerson.com)



[Facebook.com/EmersonAutomationSolutions](https://www.facebook.com/EmersonAutomationSolutions)



[LinkedIn.com/company/Emerson-Automation-Solutions](https://www.linkedin.com/company/Emerson-Automation-Solutions)



[Twitter.com/EMR_Automation](https://twitter.com/EMR_Automation)

An example configuration is depicted on the title page. The delivered product may thus vary from that in the illustration. Subject to change. This Document, as well as the data, specifications and other information set forth in it, are the exclusive property of AVENTICS GmbH. It may not be reproduced or given to third parties without its consent. Only use the AVENTICS products shown in industrial applications. Read the product documentation completely and carefully before using the product. Observe the applicable regulations and laws of the respective country. When integrating the product into applications, note the system manufacturer's specifications for safe use of the product. The data specified only serve to describe the product. No statements concerning a certain condition or suitability for a certain application can be derived from our information. The information given does not release the user from the obligation of own judgment and verification. It must be remembered that the products are subject to a natural process of wear and aging.

The Emerson logo is a trademark and service mark of Emerson Electric Co. Brand logotype are registered trademarks of one of the Emerson family of companies. All other marks are the property of their respective owners. © 2019 Emerson Electric Co. All rights reserved.



CONSIDER IT SOLVED™