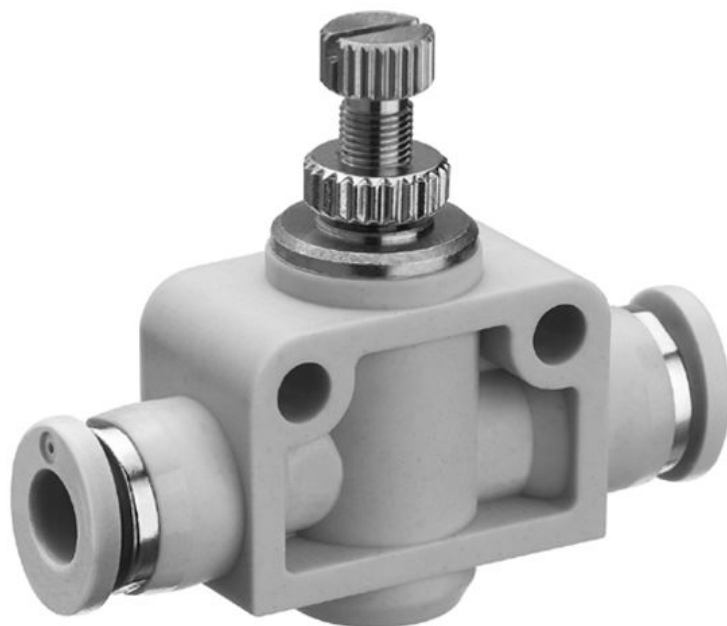


QR1



**AVENTICS™**

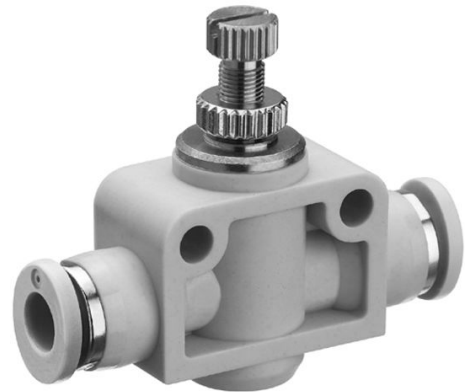
**AVENTICS Series QR1 Check-choke-valves**

  
**EMERSON™**

## **Series QR1**

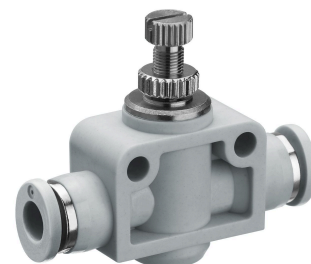
AVENTICS Series QR1 Check-choke-valve are designed for nominal flows from 60 l/min .. 875 l/min.

- $Q_n = 60 \text{ l/min} \dots 875 \text{ l/min}$
- Due to product optimisation, the delivered article may currently deviate from the dimensions shown.



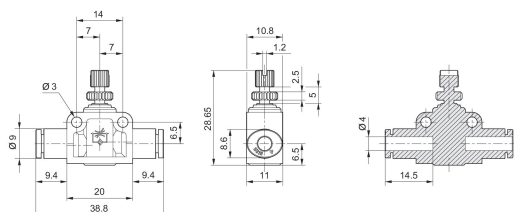
Check-choke valve, Series QR1-DBS

push-in fitting  
push-in fitting

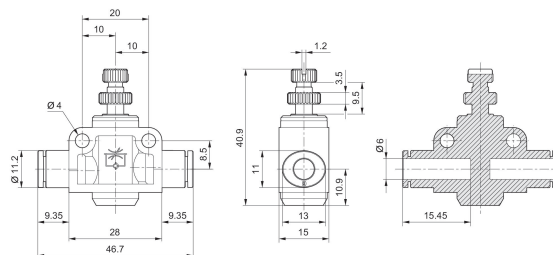


Compressed air connection 1	Compressed air connection 2	direction of throttle	Nominal flow Qn 1 to 2 [l/min]	Housing material	Part No.
Ø 4	Ø 4	1 > 2	60	Polyamide	R412005454
Ø 6	Ø 6	1 > 2	135	Polyamide	R412005455
Ø 8	Ø 8	1 > 2	200	Polyamide	R412005456
Ø 10	Ø 10	1 > 2	550	Polyamide	R412005457
Ø 12	Ø 12	1 > 2	875	Polyamide	R412005458

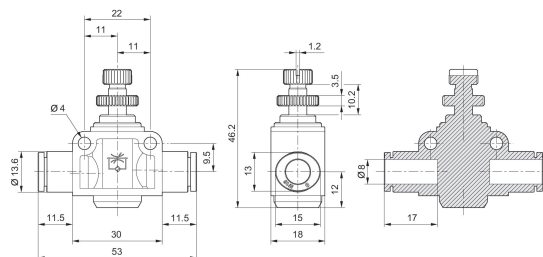
R412005454



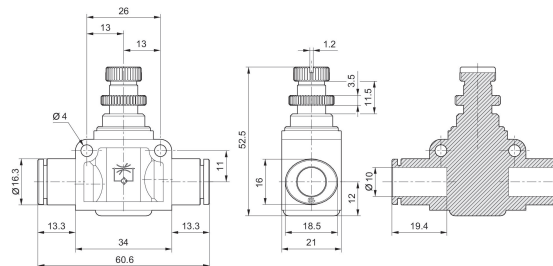
R412005455



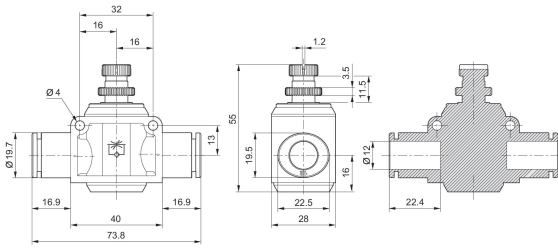
R412005456



R412005457

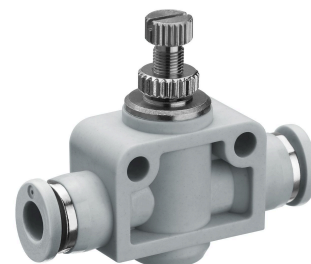


R412005458



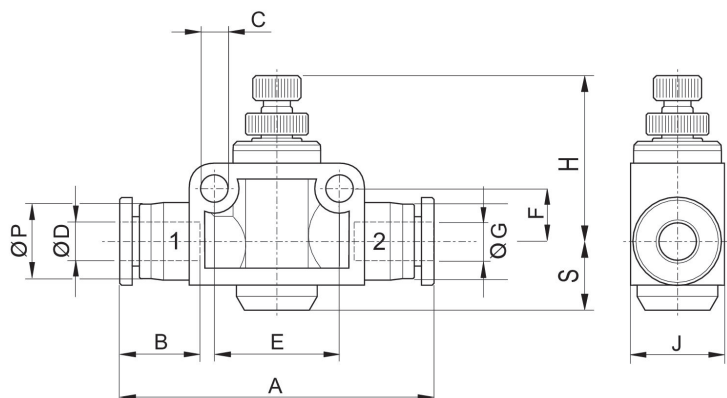
Check-choke valve, Series QR1-DBS

push-in fitting  
push-in fitting



Compressed air connection 1	direction of throttle	Nominal flow Qn 1 to 2 [l/min]	Housing material	Part No.
Ø5/32	1 > 2	60	Polybutyleneterephthalate	R432002382
Ø1/4	1 > 2	60	Polybutyleneterephthalate	R432002383
Ø5/16	1 > 2	60	Polybutyleneterephthalate	R432002384
Ø 3/8	1 > 2	60	Polybutyleneterephthalate	R432002385
Ø1/2	1 > 2	60	Polybutyleneterephthalate	R432002386

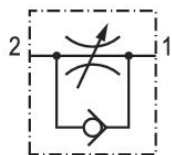
Dimensions in inches



Part No.	Ø D	A	B	Ø C	J	H	S	Ø P
R432002382	Ø5/32	1.426	0.63	3.2	0.394	0.701	0.256	0.411
R432002383	Ø1/4	1.682	0.67	4.3	0.591	1.064	0.433	0.489
R432002384	Ø5/16	2.041	0.729	4.3	0.709	1.123	0.473	0.567
R432002385	Ø 3/8	2.348	0.827	4.3	0.827	1.34	0.473	0.693
R432002386	Ø1/2	2.813	0.887	4.3	1.103	1.32	0.63	0.835

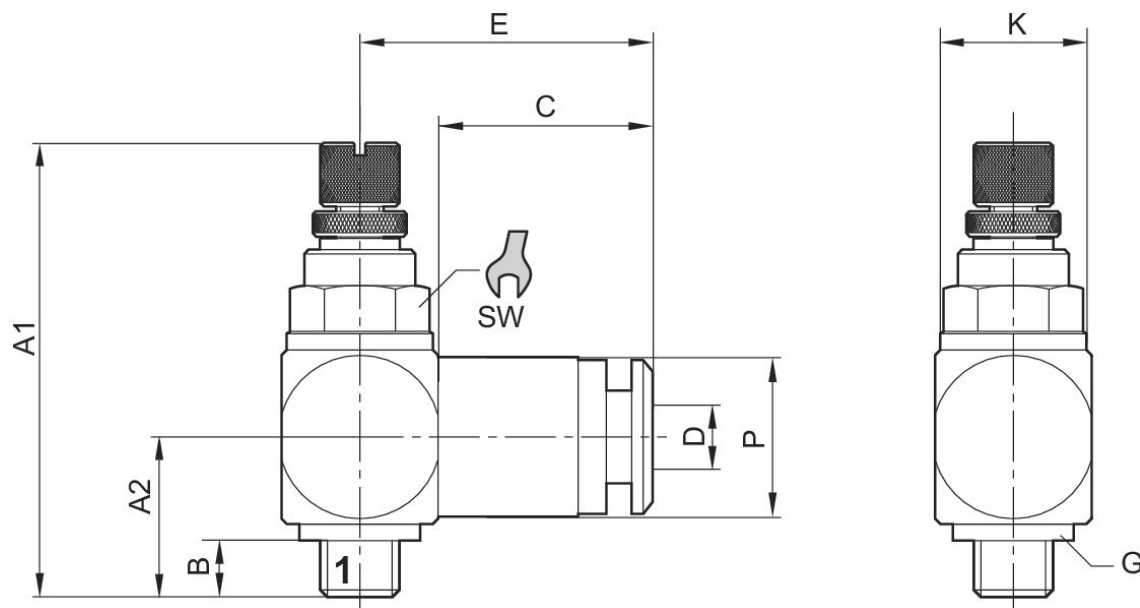
**Check-choke valve, Series QR1-DWA**

push-in fitting  
External thread



Compressed air connection 1	Compressed air connection 2	direction of throttle	Nominal flow Qn 1 to 2 [l/min]	Housing material	Part No.
10-32 UNF	Ø5/32	2 > 1	2607.6	Polybutyleneterephthalate	R432002367
10-32 UNF	Ø1/4	2 > 1	2607.6	Polybutyleneterephthalate	R432002369
1/8 NPT	Ø5/32	2 > 1	5904	Polybutyleneterephthalate	R432002368
1/8 NPT	Ø1/4	2 > 1	5904	Polybutyleneterephthalate	R432002370
1/8 NPT	Ø5/16	2 > 1	5904	Polybutyleneterephthalate	R432002373
1/4 NPT	Ø1/4	2 > 1	9721.92	Polybutyleneterephthalate	R432002371
1/4 NPT	Ø5/16	2 > 1	9721.92	Polybutyleneterephthalate	R432002374
1/4 NPT	Ø 3/8	2 > 1	9721.92	Polybutyleneterephthalate	R432002377
3/8 NPT	Ø1/4	2 > 1	33003.36	Polybutyleneterephthalate	R432002372
3/8 NPT	Ø5/16	2 > 1	33003.36	Polybutyleneterephthalate	R432002375
3/8 NPT	Ø 3/8	2 > 1	33003.36	Polybutyleneterephthalate	R432002378
3/8 NPT	Ø1/2	2 > 1	33003.36	Polybutyleneterephthalate	R432002380
1/2 NPT	Ø5/16	2 > 1	53844.48	Polybutyleneterephthalate	R432002376
1/2 NPT	Ø 3/8	2 > 1	53844.48	Polybutyleneterephthalate	R432002379
1/2 NPT	Ø1/2	2 > 1	53844.48	Polybutyleneterephthalate	R432002381

Dimensions in inches



Throttle setting via knurled bolt

### Dimensions in inches

Part No.	Ø D	A1 (max)	A2	B	C	E	Ø K	SW	Ø P
R432002367	5/32	1,044	0,256	0,138	0,63	0,725	0,394	5/16	0,411
R432002369	1/4	1,852	0,591	0,493	0,67	0,839	0,394	5/16	0,489
R432002368	5/32	1,044	0,256	0,138	0,63	0,725	0,394	7/16	0,411
R432002370	1/4	1,418	0,473	0,276	0,67	0,855	0,567	7/16	0,489
R432002373	5/16	2,049	0,619	0,611	0,729	0,926	0,567	7/16	0,567
R432002371	1/4	1,635	0,493	0,394	0,67	0,938	0,725	9/16	0,489
R432002374	5/16	1,635	0,571	0,394	0,729	1,052	0,725	9/16	0,567
R432002377	3/8	1,852	0,69	0,493	0,827	1,202	0,725	9/16	0,693
R432002372	1/4	1,852	0,571	0,496	0,67	1,036	0,867	3/4	0,489
R432002375	5/16	1,852	0,63	0,496	0,729	1,068	0,867	3/4	0,567
R432002378	3/8	2,049	0,749	0,611	0,827	1,217	0,867	3/4	0,693
R432002380	1/2	2,049	0,749	0,496	0,887	1,371	0,867	3/4	0,835
R432002376	5/16	2,049	0,682	0,611	0,729	1,143	1,103	1	0,567
R432002379	3/8	2,049	0,749	0,611	0,827	1,292	1,103	1	0,693
R432002381	1/2	2,049	0,749	0,611	0,887	1,43	1,103	1	0,835

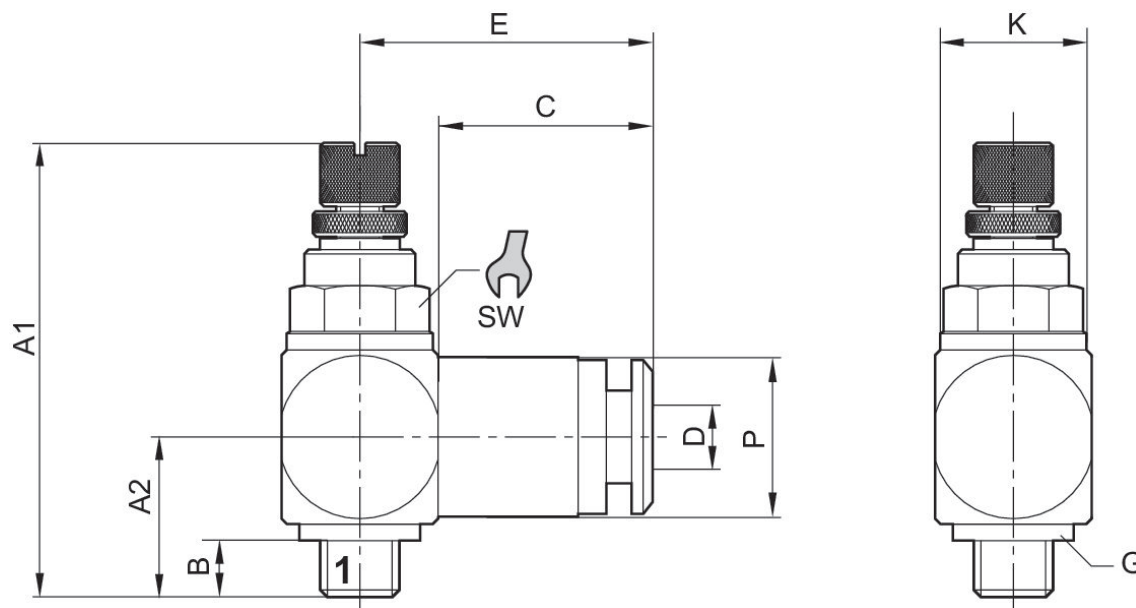
Check-choke valve, Series QR1-DWA

push-in fitting  
External thread



Compressed air connection 1	Compressed air connection 2	direction of throttle	Nominal flow Qn 1 to 2 [l/min]	Housing material	Part No.
1/4 NPT	Ø1/4	1 > 2	9721.92	Polybutyleneterephthalate	R432000791
3/8 NPT	Ø 3/8	1 > 2	33003.36	Polybutyleneterephthalate	R432000792
1/2 NPT	Ø1/2	1 > 2	53844.48	Polybutyleneterephthalate	R432000793

Dimensions in inches



Throttle setting via knurled bolt

Dimensions in inches

Part No.	G	Ø D	A1 (max)	A2	B	C	E	Ø K	SW	Ø P
R432000791	1/4 NPT	Ø1/4	1.635	0.493	0.394	0.7	0.938	0.725	9/16	0.489
R432000792	3/8 NPT	Ø3/8	2.049	0.749	0.611	0.8	1.217	0.867	3/4	0.693
R432000793	1/2 NPT	Ø1/2	2.049	0.749	0.611	0.9	1.430	1.103	1	0.835



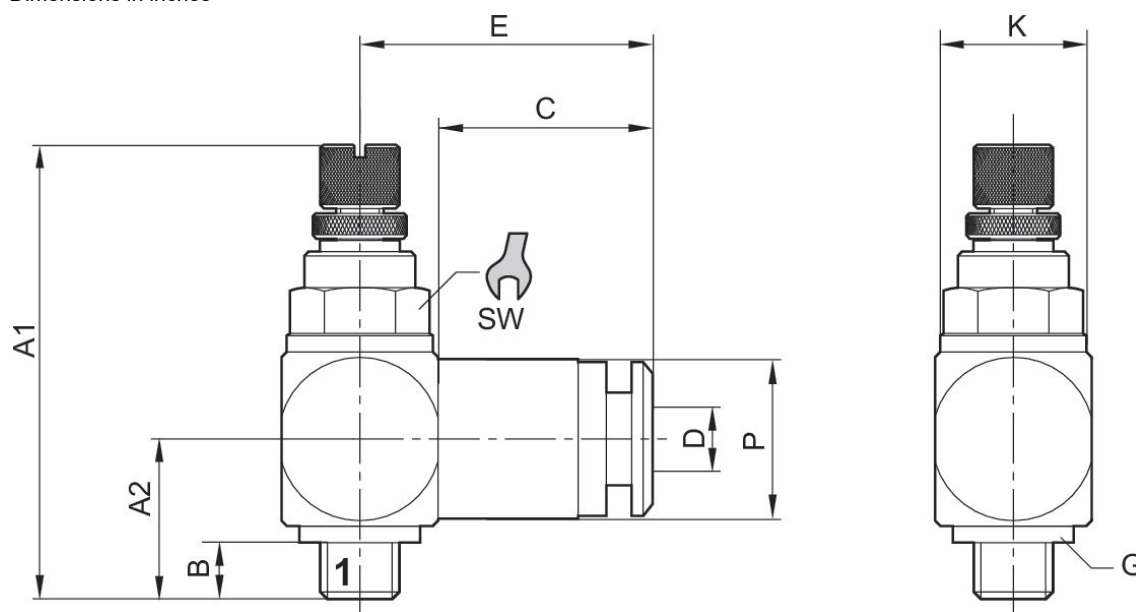
Check-choke valve, Series QR1-DWB

push-in fitting  
External thread



Compressed air connection 1	Compressed air connection 2	direction of throttle	Nominal flow Qn 1 to 2 [l/min]	Housing material	Part No.
10-32 UNF	Ø1/8	1 > 2	2607.6	Polybutyleneterephthalate	R432002362
10-32 UNF	Ø5/32	1 > 2	2607.6	Polybutyleneterephthalate	R432002363
1/8 NPT	Ø5/32	1 > 2	5904	Polybutyleneterephthalate	R432002364
10-32 UNF	Ø1/4	1 > 2	2607.6	Polybutyleneterephthalate	R432002365
1/8 NPT	Ø1/4	1 > 2	2607.6	Polybutyleneterephthalate	R432002366

Dimensions in inches



Throttle setting via knurled bolt

Dimensions in inches

Part No.	G	Ø D	A1 (max)	A2	B	C	E	Ø K	SW	Ø P
R432002362	10-32 UNF	Ø1/8	1,044	0.272	0.158	0.355	0.552	0,394	5/16	0.256

Part No.	G	Ø D	A1 (max)	A2	B	C	E	Ø K	SW	Ø P
R432002363	10-32 UNF	Ø5/32	1,044	0.252	0.158	0.461	0.617	0,394	5/16	0.315
R432002364	1/8 NPT	Ø5/32	1,418	0.441	0.315	0.461	0.701	0.552	7/16	0.315
R432002365	10-32 UNF	Ø1/4	1,044	0.252	0.158	0.473	0.662	0,394	5/16	0.411
R432002366	1/8 NPT	Ø1/4	1,418	0.441	0.315	0.473	0.717	0.552	7/16	0.411

# Efficient pneumatic solutions, our program: cylinders and drives, valves and valve systems, air supply management



Visit us: [Emerson.com/Aventics](https://www.emerson.com/aventics)

Your local contact: [Emerson.com/contactus](https://www.emerson.com/contactus)



[Emerson.com](https://www.emerson.com)



[Facebook.com/EmersonAutomationSolutions](https://www.facebook.com/EmersonAutomationSolutions)



[LinkedIn.com/company/Emerson-Automation-Solutions](https://www.linkedin.com/company/Emerson-Automation-Solutions)



[Twitter.com/EMR\\_Automation](https://twitter.com/EMR_Automation)

An example configuration is depicted on the title page. The delivered product may thus vary from that in the illustration. Subject to change. This Document, as well as the data, specifications and other information set forth in it, are the exclusive property of AVENTICS GmbH. It may not be reproduced or given to third parties without its consent. Only use the AVENTICS products shown in industrial applications. Read the product documentation completely and carefully before using the product. Observe the applicable regulations and laws of the respective country. When integrating the product into applications, note the system manufacturer's specifications for safe use of the product. The data specified only serve to describe the product. No statements concerning a certain condition or suitability for a certain application can be derived from our information. The information given does not release the user from the obligation of own judgment and verification. It must be remembered that the products are subject to a natural process of wear and aging.

The Emerson logo is a trademark and service mark of Emerson Electric Co. Brand logotype are registered trademarks of one of the Emerson family of companies. All other marks are the property of their respective owners. © 2019 Emerson Electric Co. All rights reserved.



**CONSIDER IT SOLVED™**