

Serie NR02



AVENTICS™

**Válvulas sin retorno AVENTICS
serie NR02**


EMERSON™

Serie NR02

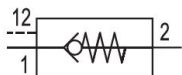
La serie NR02 de AVENTICS gracias a una matriz de opciones de conexión, las válvulas antirretorno NR se pueden atornillar de forma separada y también son adecuadas para la instalación directa en la tubería. Las válvulas antirretorno NR02 son pilotadas neumáticamente

- $Q_n = 300 \text{ l/min} \dots 5800 \text{ l/min}$



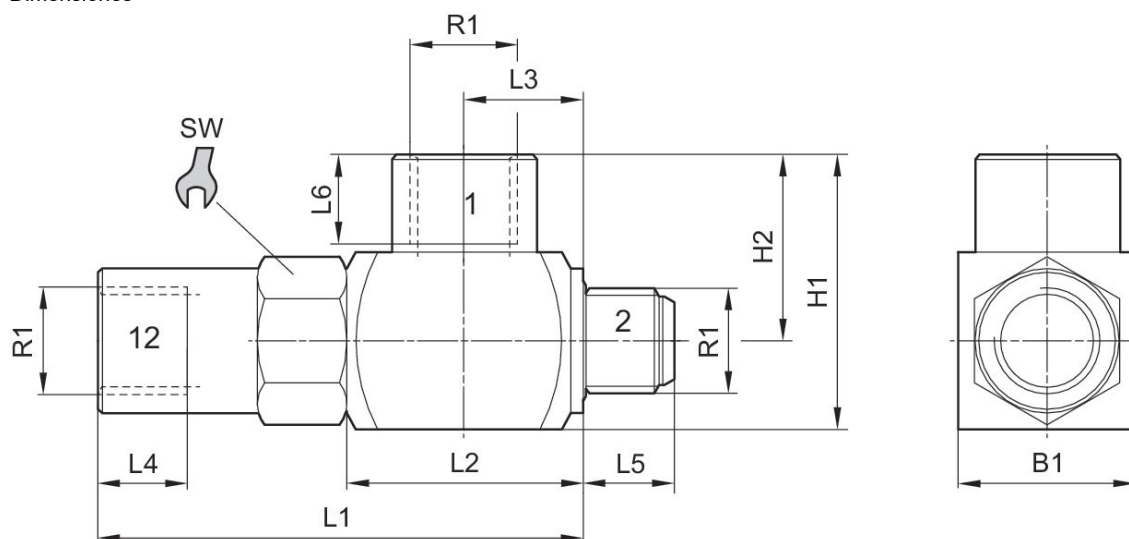
Válvula antirretorno pilotada, Serie NR02

Rosca interior
rosca exterior



entrada	Tipo de conexión de aire comprimido entrada	salida	Qn 1 > 2 [l/min]	N° de material
G 1/8	rosca exterior	G 1/8	300	0821003050
G 1/4	rosca exterior	G 1/4	680	0821003051

Dimensiones



	R1	L1	L2	L3	L4	L5	L6	H1	H2	B1
0821003050	G 1/8	50.5	25.4	12.7	8	7.5	8	24.5	16	17
0821003051	G 1/4	59.6	29	14.5	12	11.4	12	34	23	22

	SW
0821003050	15
0821003051	18

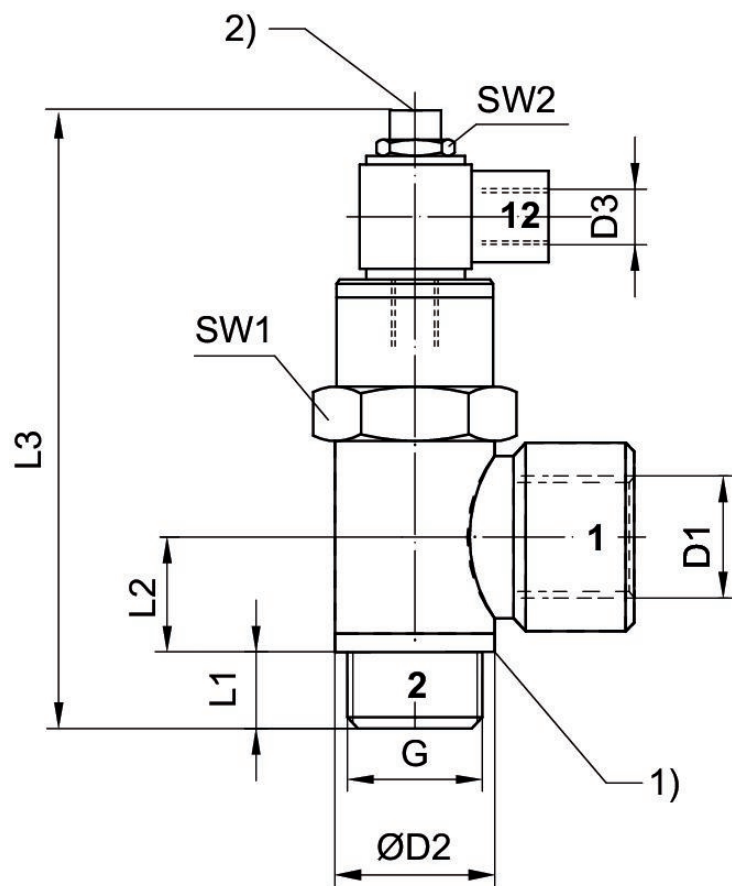
Válvula antirretorno pilotada, Serie NR02

Rosca interior
rosca exterior



entrada	Tipo de conexión de aire comprimido entrada	salida	Qn 1 > 2 [l/min]	N° de material
G 1/8	rosca exterior	G 1/8	170	0821003045
G 1/4	rosca exterior	G 1/4	345	0821003046

Dimensiones



1) junta, imperdible
2) Purga manual

	G	D1	D2	D3	L1	L2	L3	SW1	SW2
0821003045		G 1/8	14	M5	6	9.5	62	13	8

	G	D1	D2	D3	L1	L2	L3	SW1	SW2
0821003046		G 1/4	18	M5	8.2	10.3	67	17	8

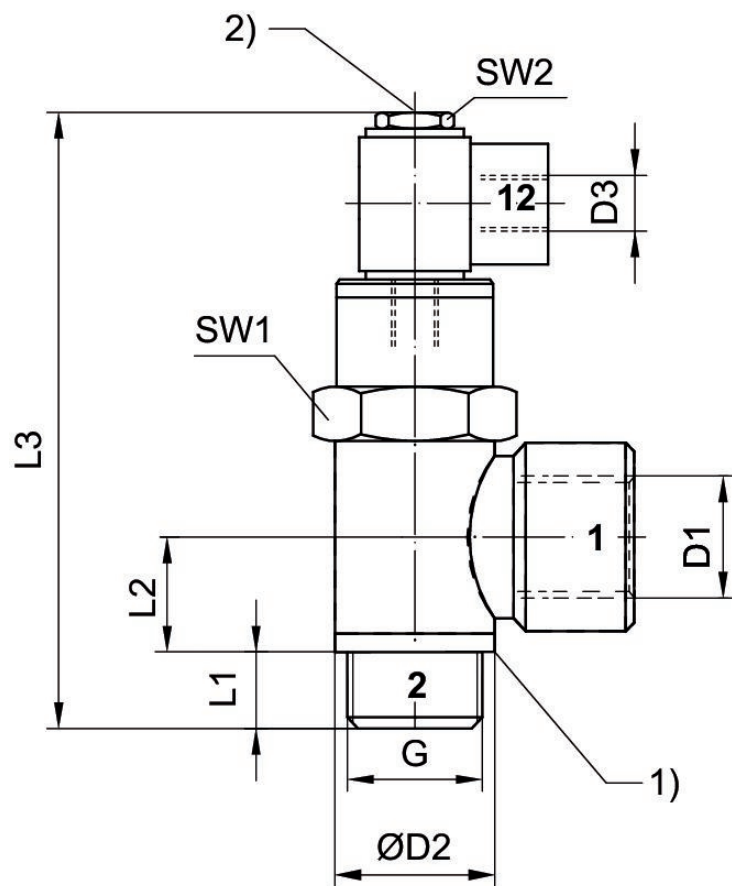
Válvula antirretorno pilotada, Serie NR02

Rosca interior
rosca exterior



entrada	Tipo de conexión de aire comprimido entrada	salida	Qn 1 > 2 [l/min]	N° de material
G 3/8	rosca exterior	G 3/8	1250	0821003047
G 1/2	rosca exterior	G 1/2	1800	0821003048

Dimensiones



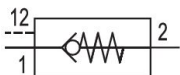
1) junta, imperdible
2) Purga manual

	G	D1	D2	D3	L1	L2	L3	SW1	SW2
0821003047	G 3/8	G 3/8	21.8	G 1/8	9	12	76.5	20	14

	G	D1	D2	D3	L1	L2	L3	SW1	SW2
0821003048	G 1/2	G 1/2	25.7	G 1/8	10	14	85	25	14

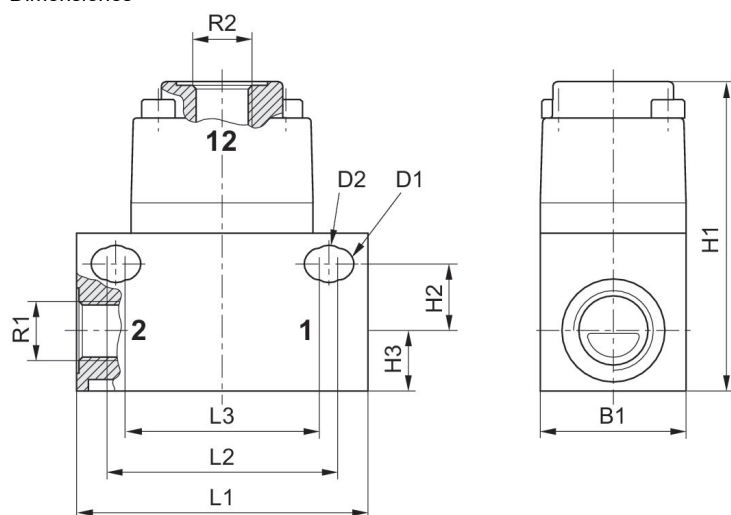
Válvula antirretorno pilotada, Serie NR02

Rosca interior
Rosca interior



entrada	Tipo de conexión de aire comprimido entrada	salida	Qn 1 > 2 [l/min]	N° de material
G 1/8	Rosca interior	G 1/8	480	0821003025
G 1/4	Rosca interior	G 1/4	510	0821003026

Dimensiones

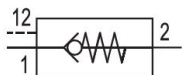


	R1	R2	Ø D1	Ø D2	L1	L2	L3	H1	H2	H3
0821003025	G 1/8	G 1/8	5.2	6.1	48	38	32	51	11	10
0821003026	G 1/4	G 1/8	5.2	6.1	48	38	32	51	11	10

	B1
0821003025	24
0821003026	24

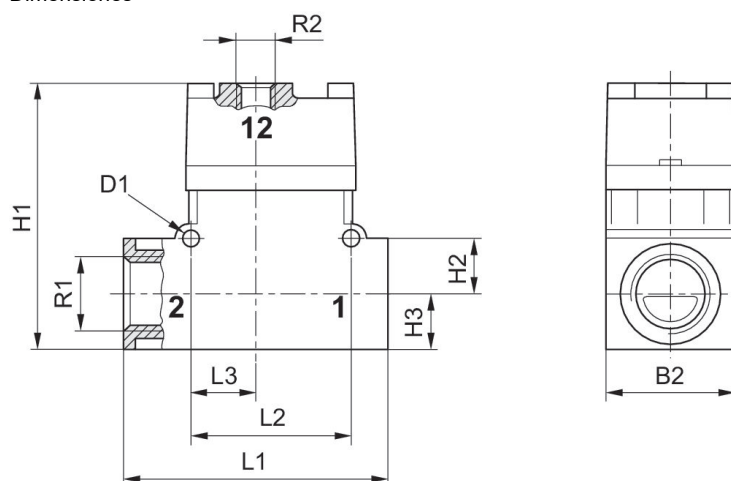
Válvula antirretorno pilotada, Serie NR02

Rosca interior
Rosca interior



entrada	Tipo de conexión de aire comprimido entrada	salida	Qn 1 > 2 [l/min]	N° de material
G 3/8	Rosca interior	G 3/8	2200	0821003027
G 1/2	Rosca interior	G 1/2	2300	0821003028

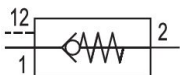
Dimensiones



	R1	R2	Ø D1	L1	L2	L3	H1	H2	H3	B1
0821003027	G 3/8	G 1/8	4.3	72	44	18	72	15	15	35
0821003028	G 1/2	G 1/8	4.3	72	44	18	72	15	15	35

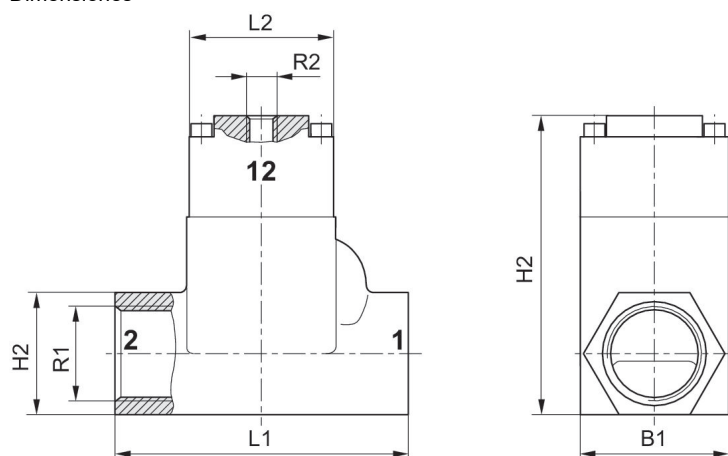
Válvula antirretorno pilotada, Serie NR02

Rosca interior
Rosca interior



entrada	Tipo de conexión de aire comprimido entrada	salida	Qn 1 > 2 [l/min]	N° de material
G 3/4	Rosca interior	G 3/4	4600	0821003029
G 1	Rosca interior	G 1	5800	0821003030

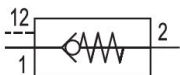
Dimensiones



	R1	R2	L1	L2	H1	H2	B1
0821003029	G 3/4	G 1/8	100	50	41	101	50
0821003030	G 1	G 1/8	100	50	41	101	50

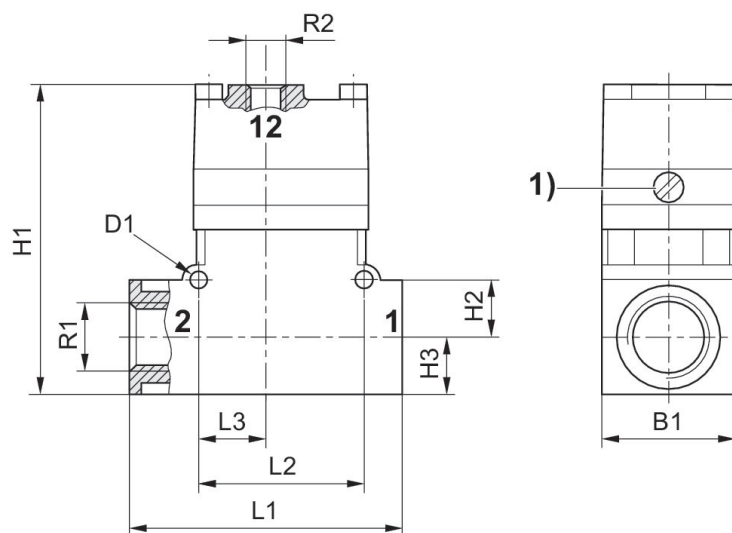
Válvula antirretorno pilotada, Serie NR02

Rosca interior
Rosca interior



entrada	Tipo de conexión de aire comprimido entrada	salida	Qn 1 > 2 [l/min]	N° de material
G 3/8	Rosca interior	G 3/8	2400	0821003042

Dimensiones

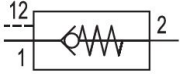


1) Accionamiento auxiliar manual

	R1	R2	Ø D1	L1	L2	L3	H1	H2	H3	B1
0821003042	G 3/8	G 1/8	4.3	72	44	18	82	15	15	35

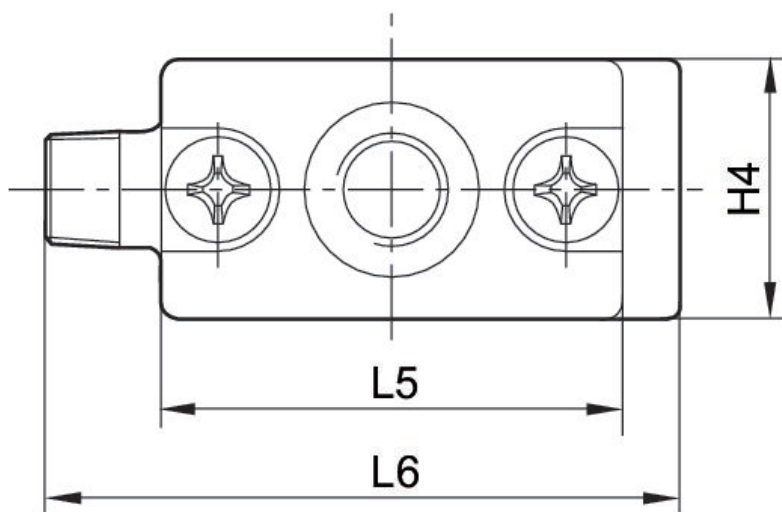
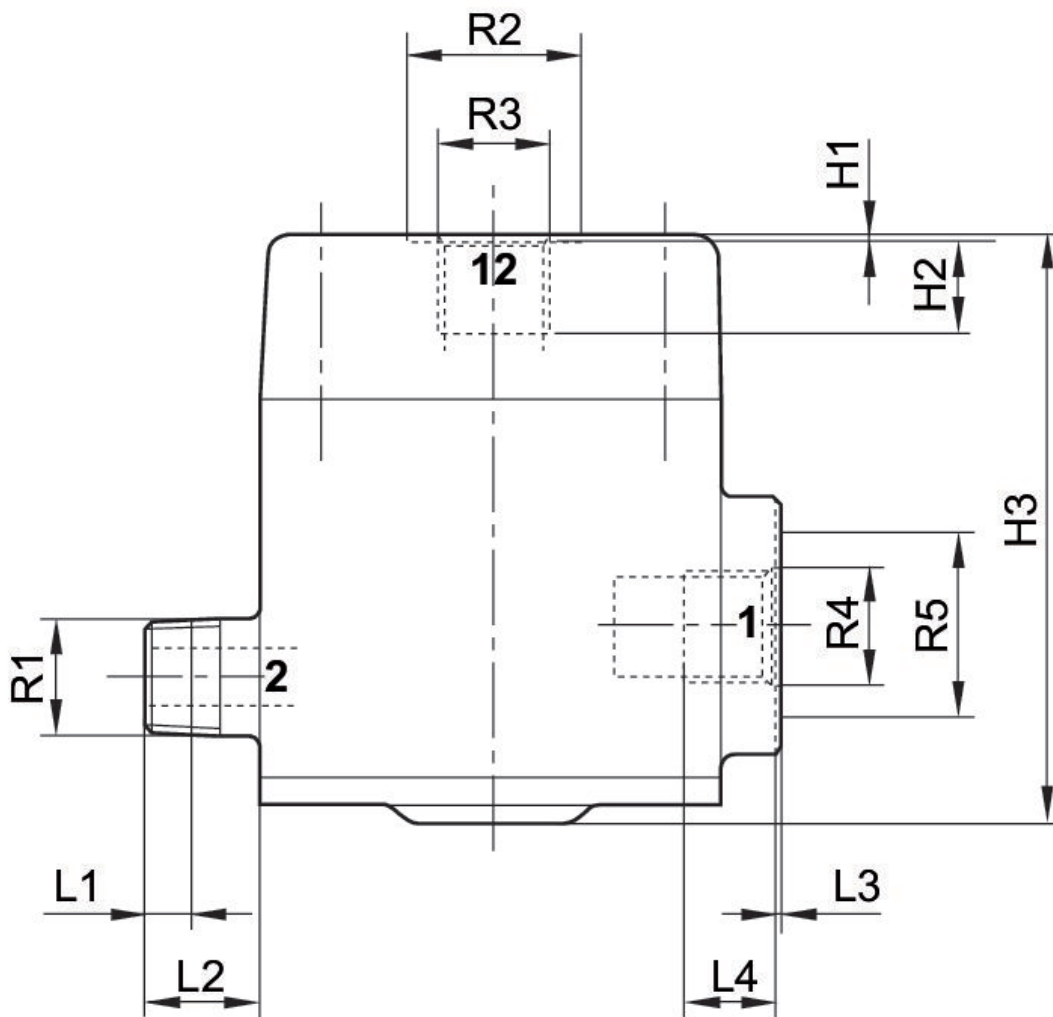
Válvula antirretorno pilotada, Serie NR02

Rosca interior
rosca exterior



entrada	Tipo de conexión de aire comprimido entrada	salida	Qn 1 > 2 [l/min]	Nº de material
G 1/8	rosca exterior	R 1/8	550	5340050010

Dimensiones

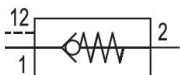


	R1	R2	R3	R4	R5	L1	L2	L3	L4	L5
5340050010	R1/8	15	G1/8	G1/8	16	4	10	0.3	8	40

	L6	H1	H2	H3	H4
5340050010	55	0.3	8	50.5	22

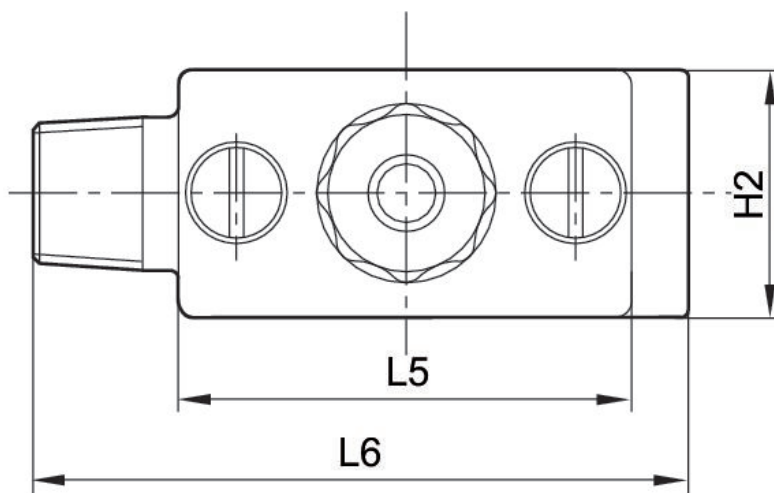
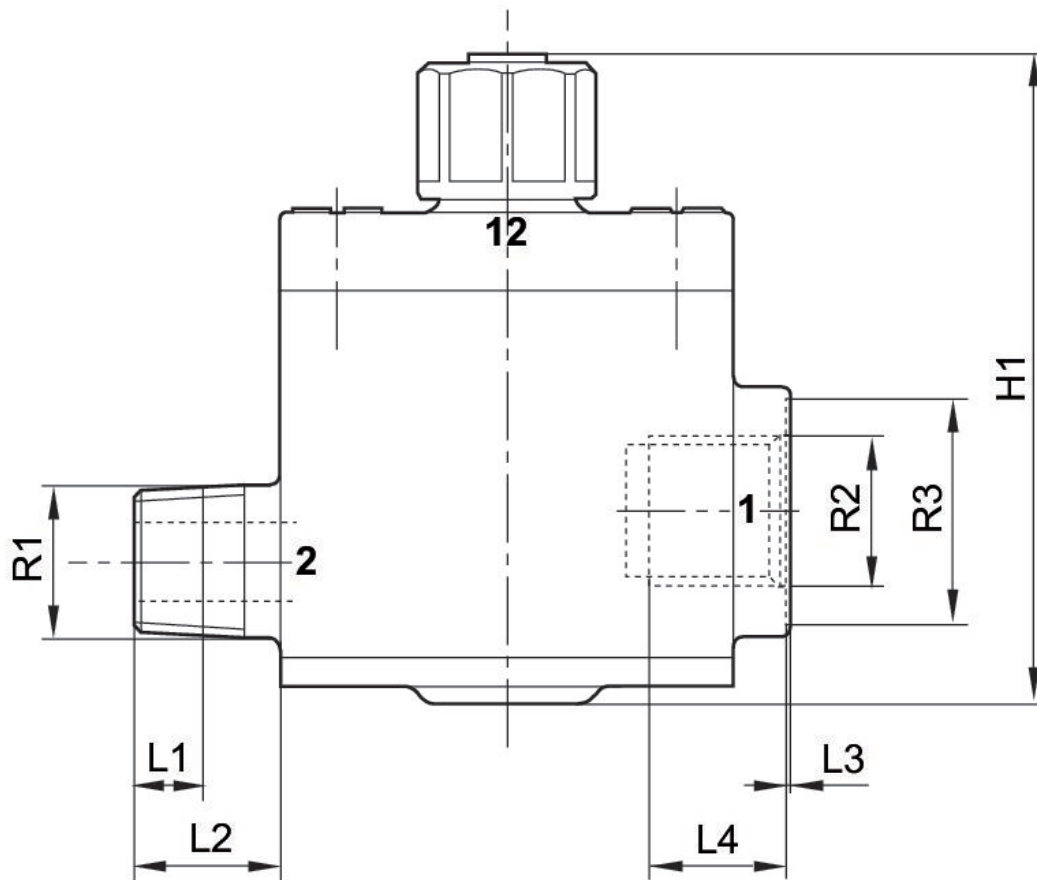
Válvula antirretorno pilotada, Serie NR02

Rosca interior
rosca exterior



entrada	Tipo de conexión de aire comprimido entrada	salida	Qn 1 > 2 [l/min]	Nº de material
G 1/4	rosca exterior	R 1/4	1000	5340051000

Dimensiones

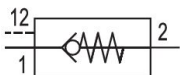


	R1	R2	R3	L1	L2	L3	L4	L5	L6	H1
5340051000	R1/4	G1/4	20	6	13	0.3	12	40	58	57.5

	H2
5340051000	22

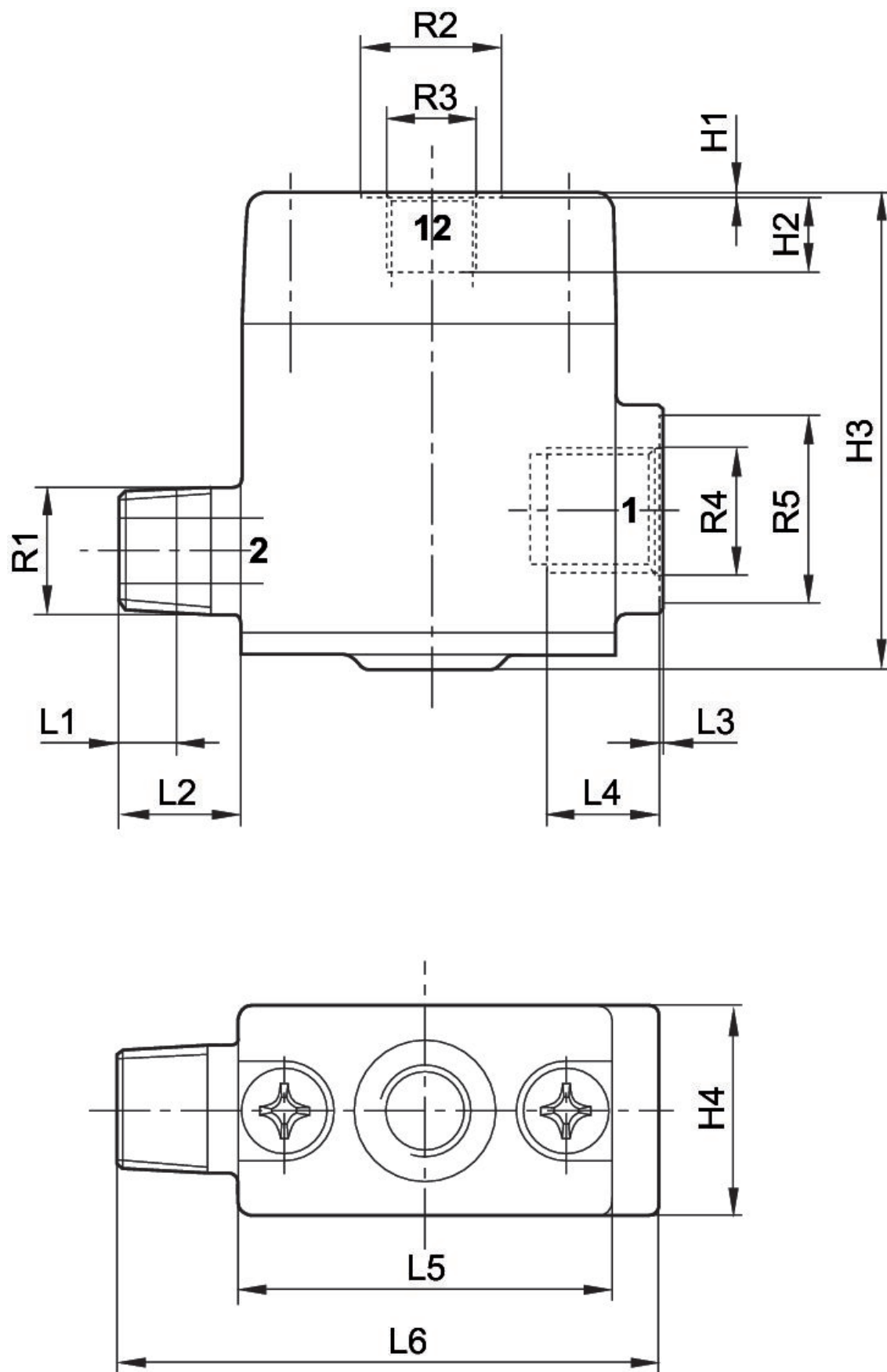
Válvula antirretorno pilotada, Serie NR02

Rosca interior
rosca exterior



entrada	Tipo de conexión de aire comprimido entrada	salida	Qn 1 > 2 [l/min]	Nº de material
G 1/4	rosca exterior	R 1/4	1000	5340051010

Dimensiones

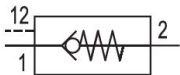


	R1	R2	R3	R4	R5	L1	L2	L3	L4	L5
5340051010	R1/4	15	G1/8	G1/4	20	6	13	0.3	12	40

	L6	H1	H2	H3	H4
5340051010	58	0.3	8	50.5	22

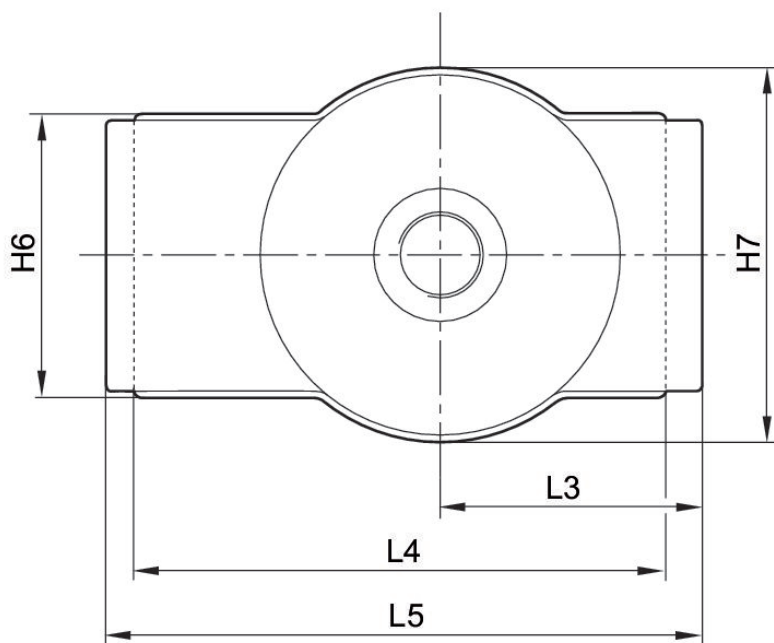
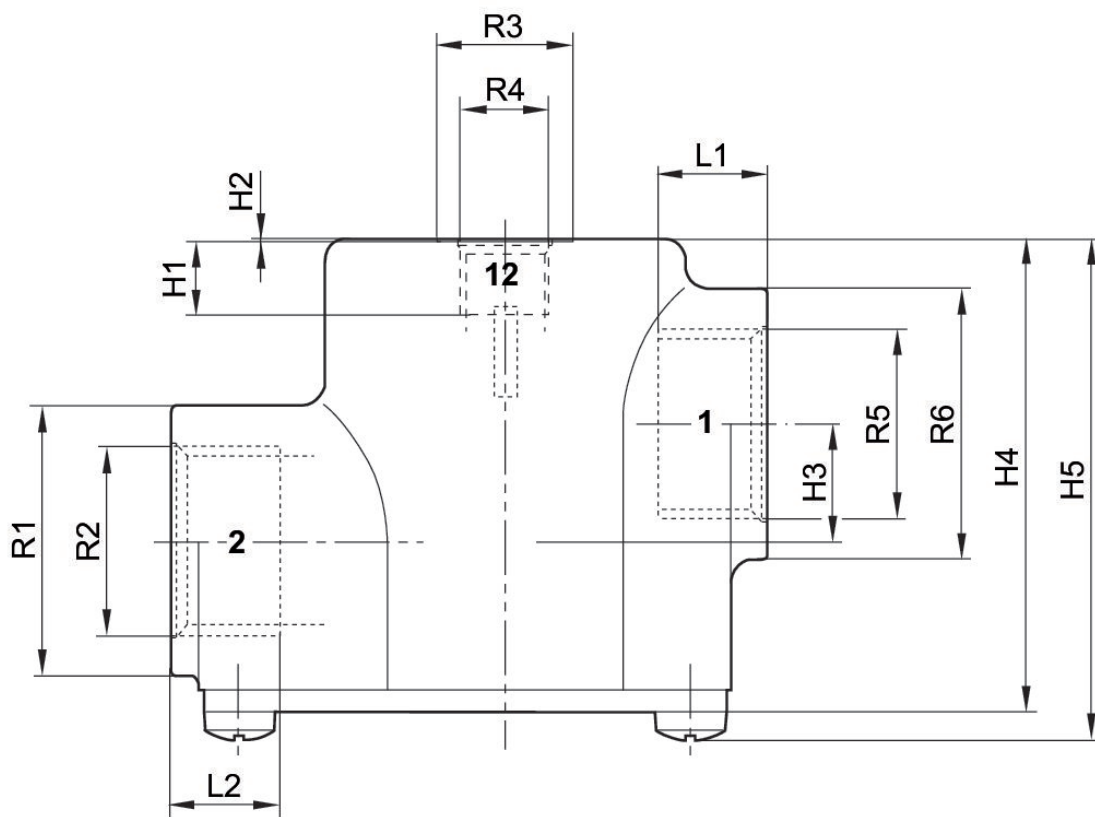
Válvula antirretorno pilotada, Serie NR02

Rosca interior
rosca exterior



entrada	Tipo de conexión de aire comprimido entrada	salida	Qn 1 > 2 [l/min]	Nº de material
G 1/2	rosca exterior	G 1/2	3000	5340053000

Dimensiones



	R1	R2	R3	R4	R5	R6	L1	L2	L3	L4
5340053000	30	G1/2	15	G1/8	G1/2	30	12	12	29	59

	L5	H1	H2	H3	H4	H5	H6	H7
5340053000	66	8	0.3	13	52.5	56	31.5	41.5

Efficient pneumatic solutions, our program: cylinders and drives, valves and valve systems, air supply management



Visit us: [Emerson.com/Aventics](https://www.emerson.com/aventics)

Your local contact: [Emerson.com/contactus](https://www.emerson.com/contactus)



[Emerson.com](https://www.emerson.com)



[Facebook.com/EmersonAutomationSolutions](https://www.facebook.com/EmersonAutomationSolutions)



[LinkedIn.com/company/Emerson-Automation-Solutions](https://www.linkedin.com/company/Emerson-Automation-Solutions)



[Twitter.com/EMR_Automation](https://twitter.com/EMR_Automation)

An example configuration is depicted on the title page. The delivered product may thus vary from that in the illustration. Subject to change. This Document, as well as the data, specifications and other information set forth in it, are the exclusive property of AVENTICS GmbH. It may not be reproduced or given to third parties without its consent. Only use the AVENTICS products shown in industrial applications. Read the product documentation completely and carefully before using the product. Observe the applicable regulations and laws of the respective country. When integrating the product into applications, note the system manufacturer's specifications for safe use of the product. The data specified only serve to describe the product. No statements concerning a certain condition or suitability for a certain application can be derived from our information. The information given does not release the user from the obligation of own judgment and verification. It must be remembered that the products are subject to a natural process of wear and aging.

The Emerson logo is a trademark and service mark of Emerson Electric Co. Brand logotype are registered trademarks of one of the Emerson family of companies. All other marks are the property of their respective owners. © 2019 Emerson Electric Co. All rights reserved.



CONSIDER IT SOLVED™