

## Series NR02



AVENTICS™

AVENTICS Series NR02 Non-  
return valves

  
EMERSON™

## Series NR02

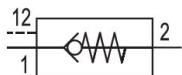
AVENTICS Series NR02, thanks to an array of connection options, the NR non-return valves can be screwed in separately and are also suitable for direct installation in piping. NR02 non-return valves are pneumatically pilot operated.

- $Q_n = 300 \text{ l/min} \dots 5800 \text{ l/min}$



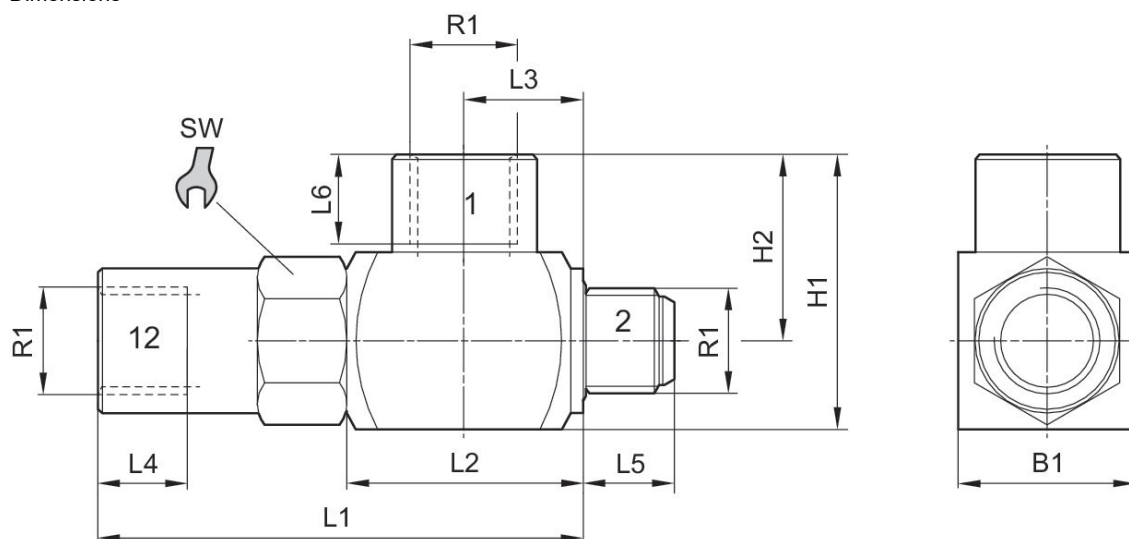
Pilot-operated non-return valve, Series NR02

Internal thread  
External thread



Input	Compressed air connection type input	Output	Qn 1 > 2 [l/min]	Part No.
G 1/8	External thread	G 1/8	300	0821003050
G 1/4	External thread	G 1/4	680	0821003051

Dimensions

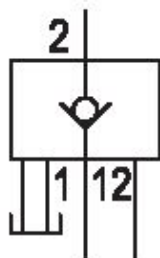


	R1	L1	L2	L3	L4	L5	L6	H1	H2	B1
0821003050	G 1/8	50.5	25.4	12.7	8	7.5	8	24.5	16	17
0821003051	G 1/4	59.6	29	14.5	12	11.4	12	34	23	22

	SW
0821003050	15
0821003051	18

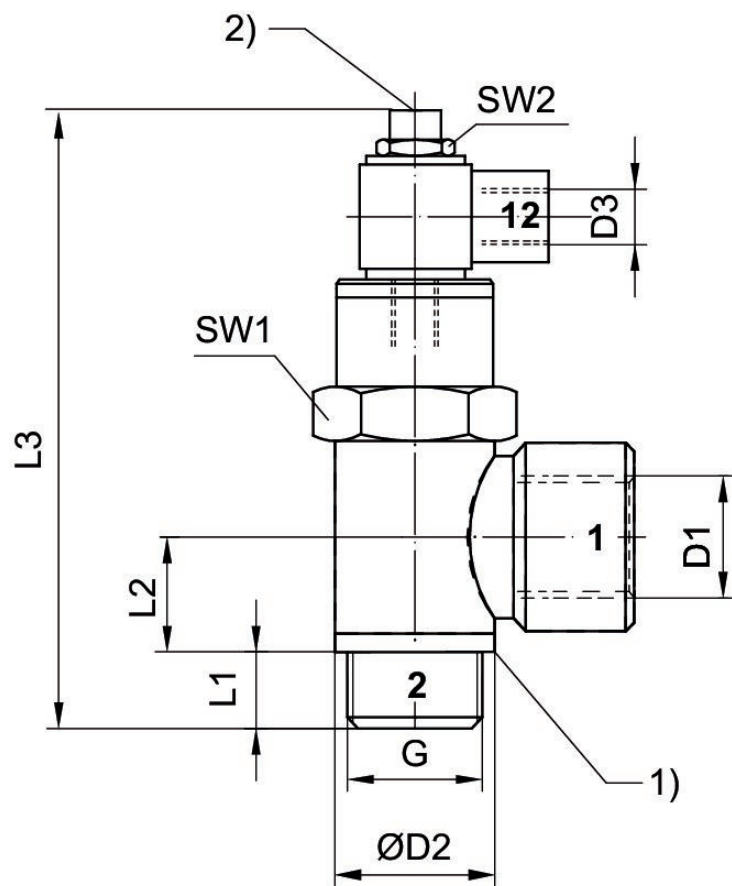
Pilot-operated non-return valve, Series NR02

Internal thread  
External thread



Input	Compressed air connection type input	Output	Qn 1 > 2 [l/min]	Part No.
G 1/8	External thread	G 1/8	170	0821003045
G 1/4	External thread	G 1/4	345	0821003046

Dimensions



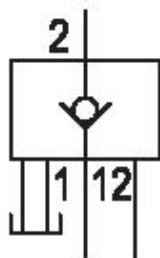
- 1) Seal, captive
- 2) Manual exhaust

	G	D1	D2	D3	L1	L2	L3	SW1	SW2
0821003045		G 1/8	14	M5	6	9.5	62	13	8

	G	D1	D2	D3	L1	L2	L3	SW1	SW2
0821003046		G 1/4	18	M5	8.2	10.3	67	17	8

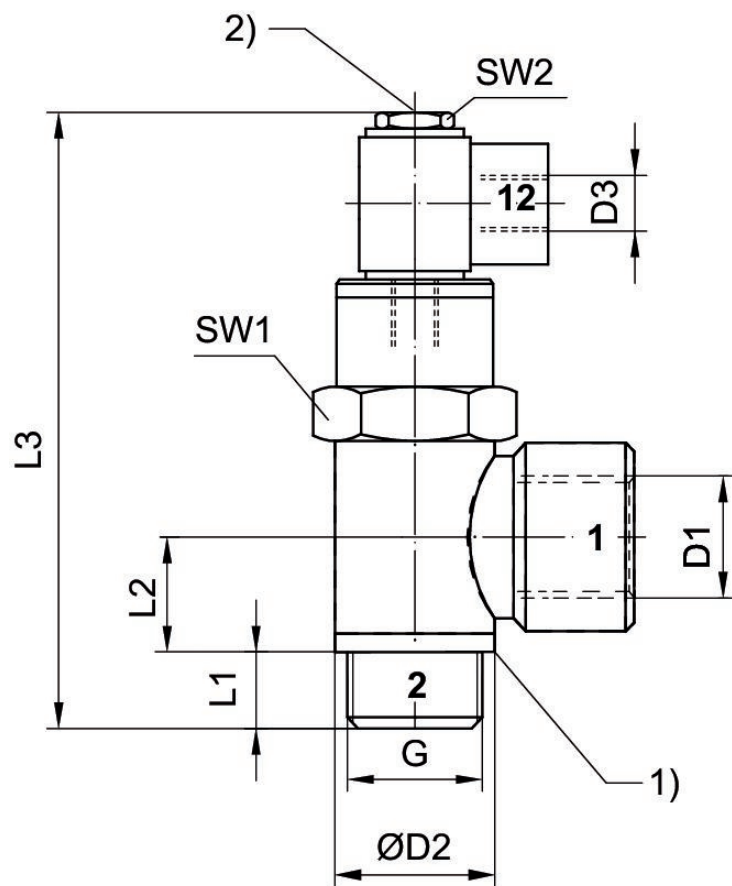
Pilot-operated non-return valve, Series NR02

Internal thread  
External thread



Input	Compressed air connection type input	Output	Qn 1 > 2 [l/min]	Part No.
G 3/8	External thread	G 3/8	1250	0821003047
G 1/2	External thread	G 1/2	1800	0821003048

Dimensions



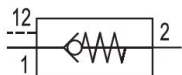
1) Seal, captive  
2) Manual exhaust

	G	D1	D2	D3	L1	L2	L3	SW1	SW2
0821003047	G 3/8	G 3/8	21.8	G 1/8	9	12	76.5	20	14

	G	D1	D2	D3	L1	L2	L3	SW1	SW2
0821003048	G 1/2	G 1/2	25.7	G 1/8	10	14	85	25	14

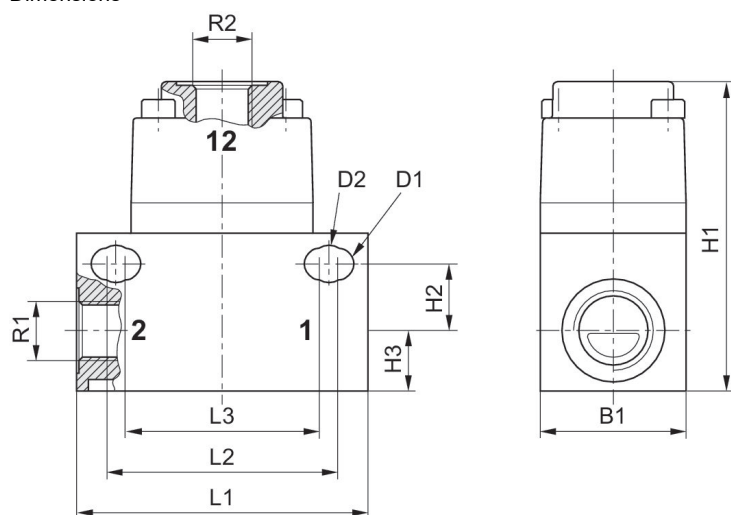
Pilot-operated non-return valve, Series NR02

Internal thread  
Internal thread



Input	Compressed air connection type input	Output	Qn 1 > 2 [l/min]	Part No.
G 1/8	Internal thread	G 1/8	480	0821003025
G 1/4	Internal thread	G 1/4	510	0821003026

Dimensions



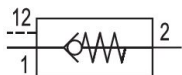
	R1	R2	Ø D1	Ø D2	L1	L2	L3	H1	H2	H3
0821003025	G 1/8	G 1/8	5.2	6.1	48	38	32	51	11	10
0821003026	G 1/4	G 1/8	5.2	6.1	48	38	32	51	11	10

	B1
0821003025	24
0821003026	24



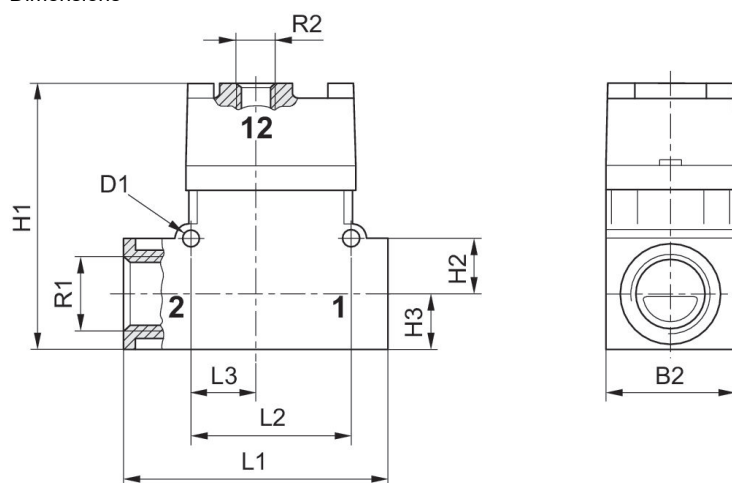
Pilot-operated non-return valve, Series NR02

Internal thread  
Internal thread



Input	Compressed air connection type input	Output	Qn 1 > 2 [l/min]	Part No.
G 3/8	Internal thread	G 3/8	2200	0821003027
G 1/2	Internal thread	G 1/2	2300	0821003028

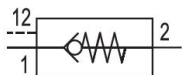
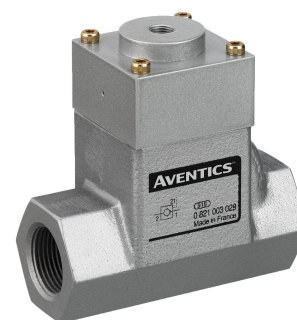
Dimensions



	R1	R2	Ø D1	L1	L2	L3	H1	H2	H3	B1
0821003027	G 3/8	G 1/8	4.3	72	44	18	72	15	15	35
0821003028	G 1/2	G 1/8	4.3	72	44	18	72	15	15	35

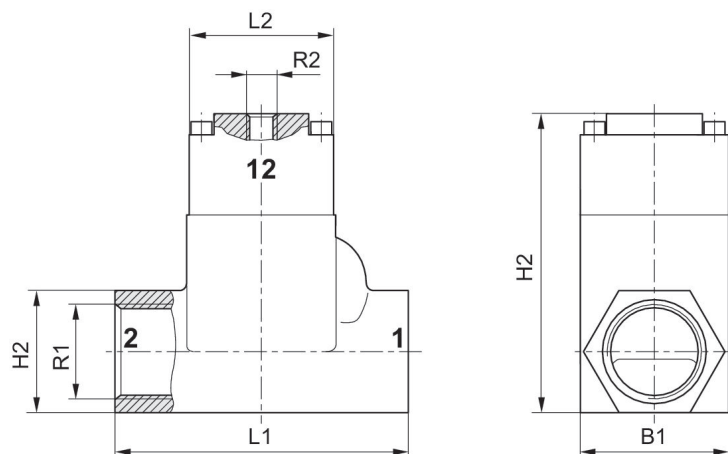
Pilot-operated non-return valve, Series NR02

Internal thread  
Internal thread



Input	Compressed air connection type input	Output	Qn 1 > 2 [l/min]	Part No.
G 3/4	Internal thread	G 3/4	4600	0821003029
G 1	Internal thread	G 1	5800	0821003030

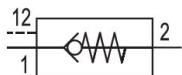
Dimensions



	R1	R2	L1	L2	H1	H2	B1
0821003029	G 3/4	G 1/8	100	50	41	101	50
0821003030	G 1	G 1/8	100	50	41	101	50

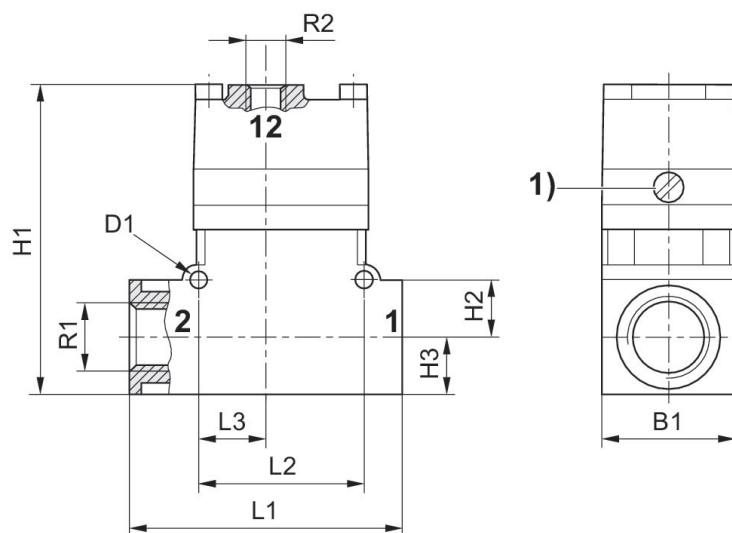
Pilot-operated non-return valve, Series NR02

Internal thread  
Internal thread



Input	Compressed air connection type input	Output	Qn 1 > 2 [l/min]	Part No.
G 3/8	Internal thread	G 3/8	2400	0821003042

Dimensions

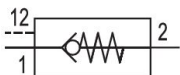


1) Manual override

	R1	R2	Ø D1	L1	L2	L3	H1	H2	H3	B1
0821003042	G 3/8	G 1/8	4.3	72	44	18	82	15	15	35

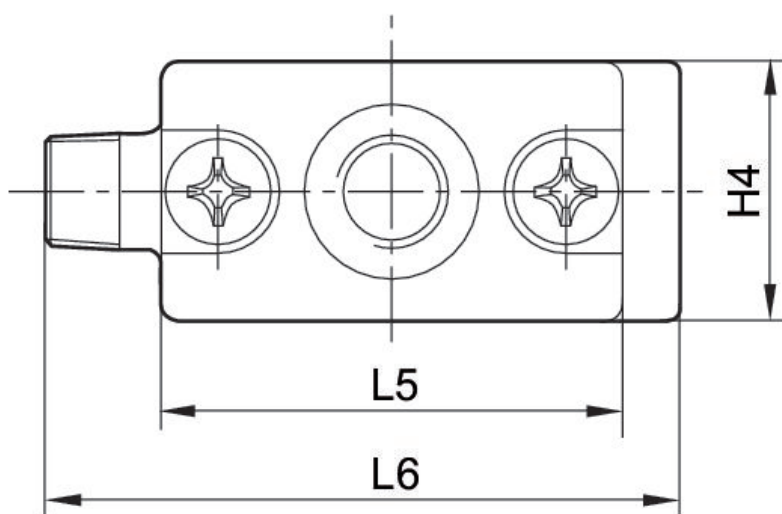
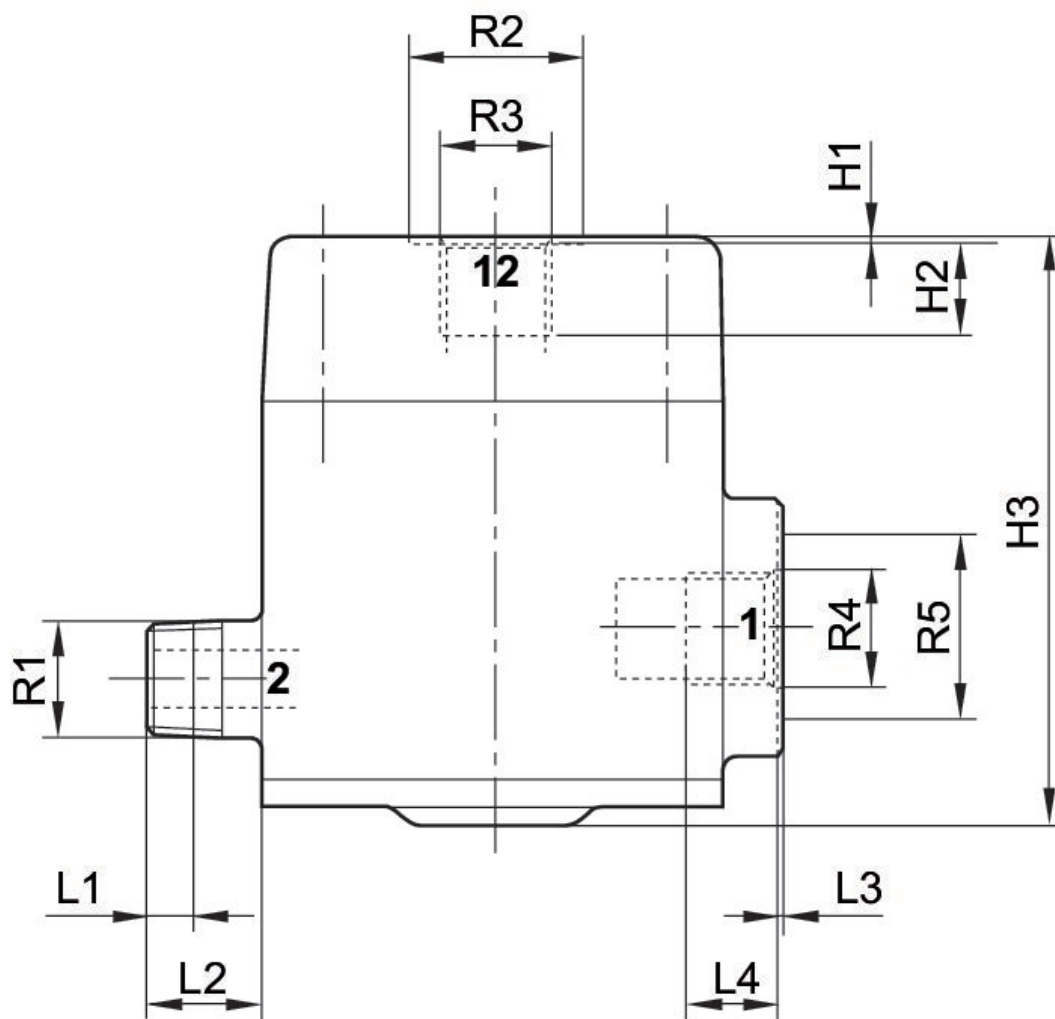
**Pilot-operated non-return valve, Series NR02**

Internal thread  
External thread



Input	Compressed air connection type input	Output	Qn 1 > 2 [l/min]	Part No.
G 1/8	External thread	R 1/8	550	5340050010

Dimensions

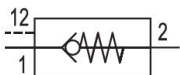


	R1	R2	R3	R4	R5	L1	L2	L3	L4	L5
5340050010	R1/8	15	G1/8	G1/8	16	4	10	0.3	8	40

	L6	H1	H2	H3	H4
5340050010	55	0.3	8	50.5	22

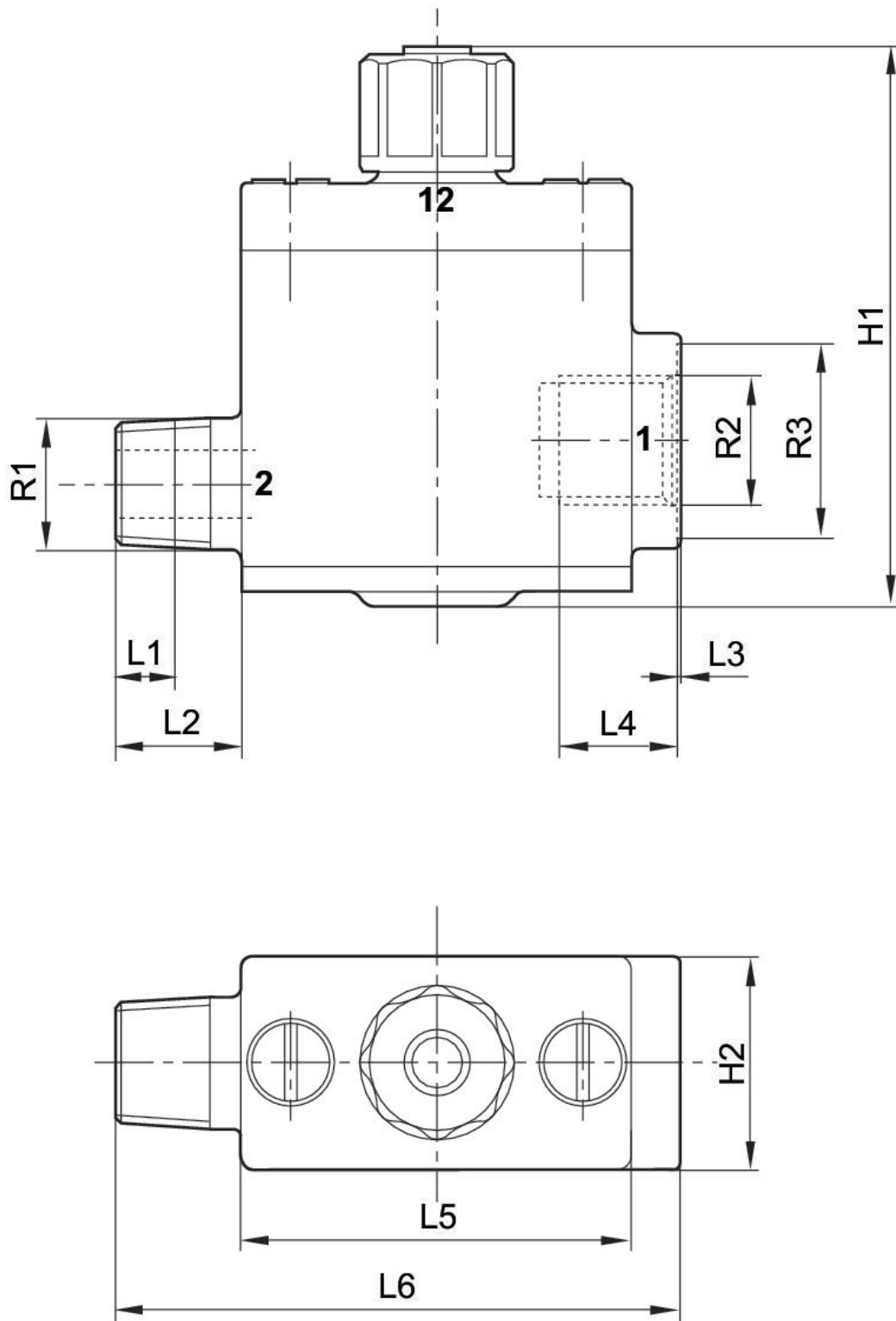
**Pilot-operated non-return valve, Series NR02**

Internal thread  
External thread



Input	Compressed air connection type input	Output	Qn 1 > 2 [l/min]	Part No.
G 1/4	External thread	R 1/4	1000	5340051000

Dimensions



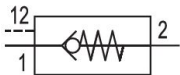


	R1	R2	R3	L1	L2	L3	L4	L5	L6	H1
5340051000	R1/4	G1/4	20	6	13	0.3	12	40	58	57.5

	H2
5340051000	22

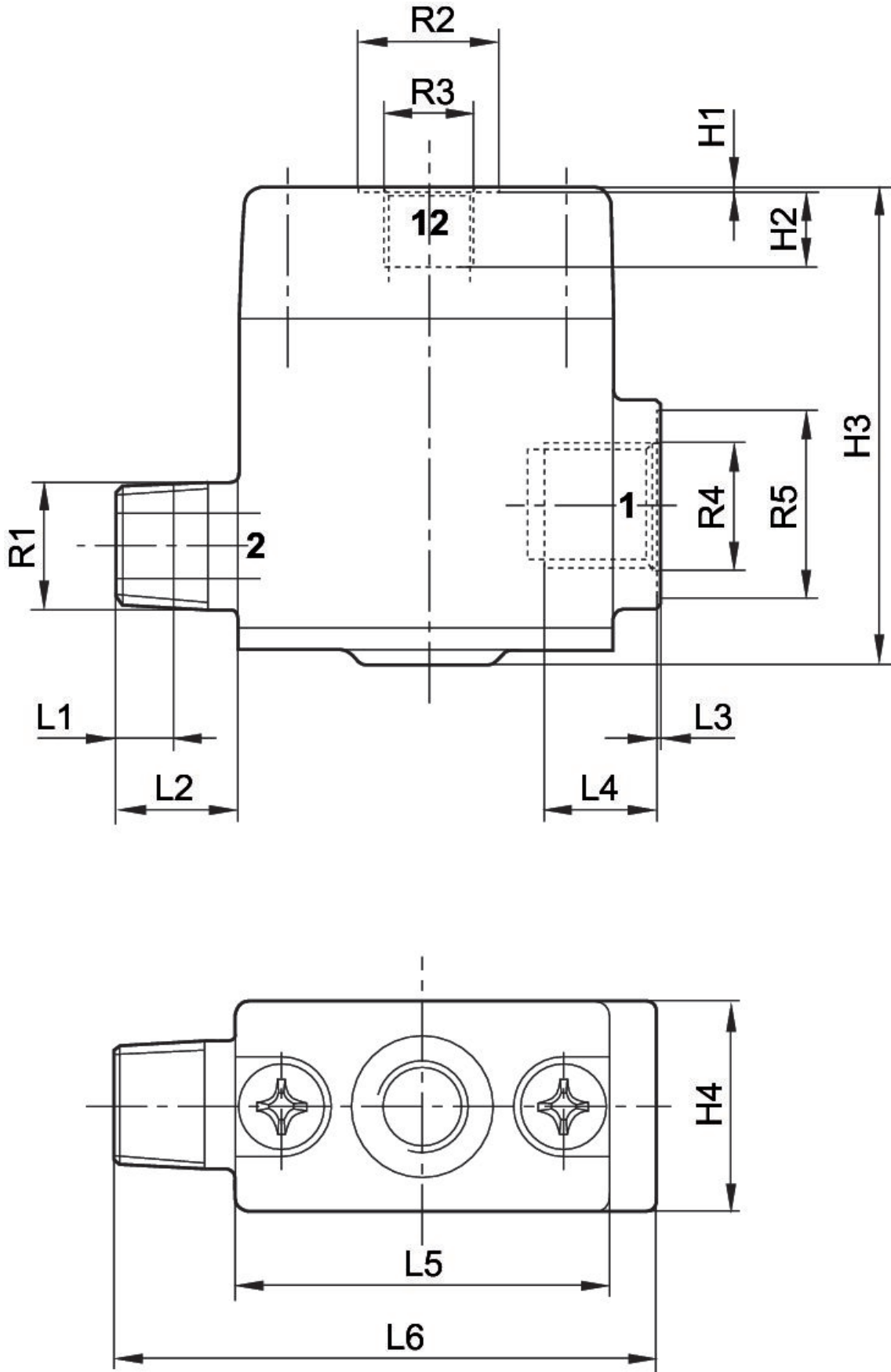
**Pilot-operated non-return valve, Series NR02**

Internal thread  
External thread



Input	Compressed air connection type input	Output	Qn 1 > 2 [l/min]	Part No.
G 1/4	External thread	R 1/4	1000	5340051010

Dimensions

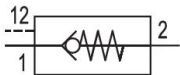


	R1	R2	R3	R4	R5	L1	L2	L3	L4	L5
5340051010	R1/4	15	G1/8	G1/4	20	6	13	0.3	12	40

	L6	H1	H2	H3	H4
5340051010	58	0.3	8	50.5	22

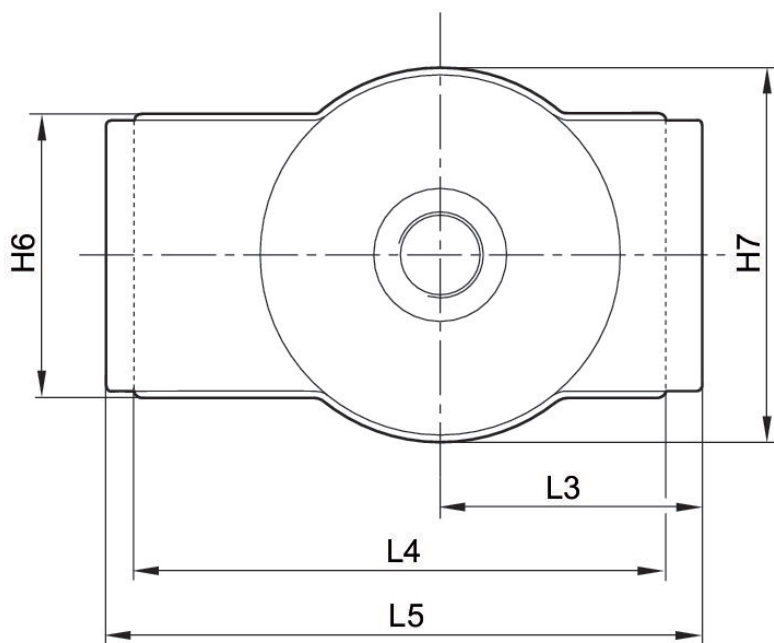
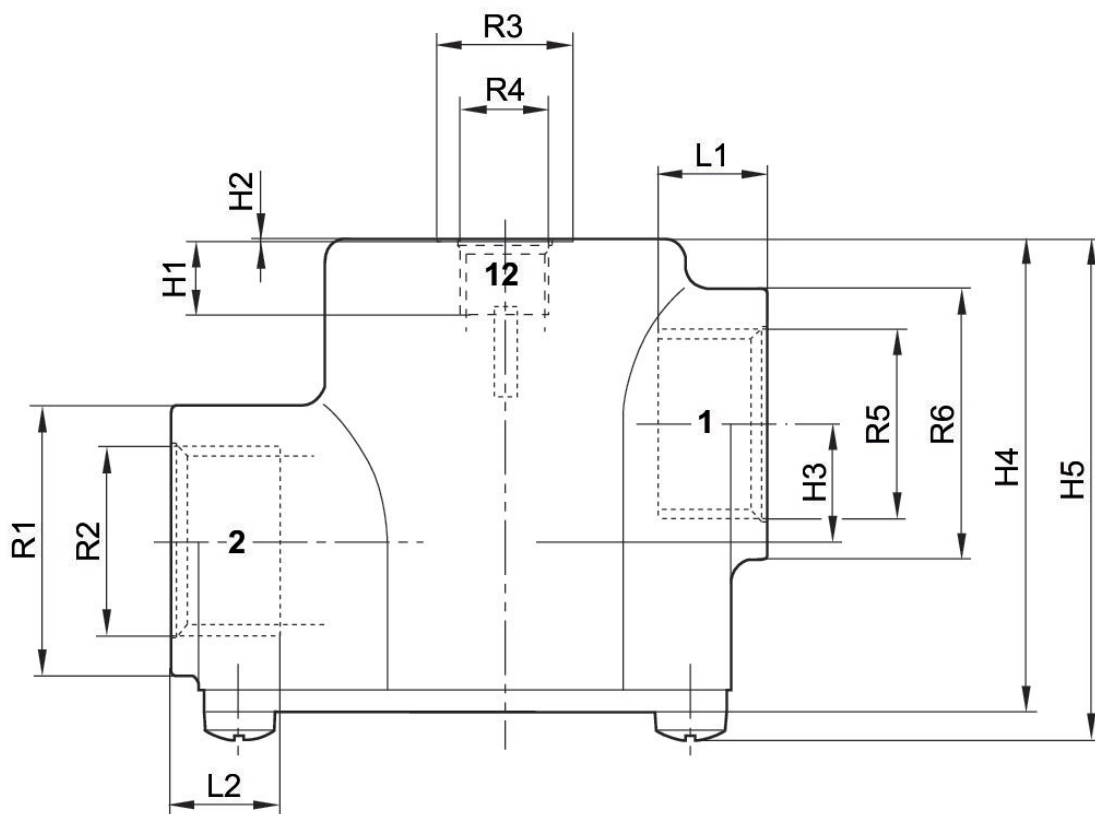
**Pilot-operated non-return valve, Series NR02**

Internal thread  
External thread



Input	Compressed air connection type input	Output	Qn 1 > 2 [l/min]	Part No.
G 1/2	External thread	G 1/2	3000	5340053000

Dimensions



	R1	R2	R3	R4	R5	R6	L1	L2	L3	L4
5340053000	30	G1/2	15	G1/8	G1/2	30	12	12	29	59

	L5	H1	H2	H3	H4	H5	H6	H7
5340053000	66	8	0.3	13	52.5	56	31.5	41.5

# Efficient pneumatic solutions, our program: cylinders and drives, valves and valve systems, air supply management



Visit us: [Emerson.com/Aventics](https://www.emerson.com/aventics)

Your local contact: [Emerson.com/contactus](https://www.emerson.com/contactus)



[Emerson.com](https://www.emerson.com)



[Facebook.com/EmersonAutomationSolutions](https://www.facebook.com/EmersonAutomationSolutions)



[LinkedIn.com/company/Emerson-Automation-Solutions](https://www.linkedin.com/company/Emerson-Automation-Solutions)



[Twitter.com/EMR\\_Automation](https://twitter.com/EMR_Automation)

An example configuration is depicted on the title page. The delivered product may thus vary from that in the illustration. Subject to change. This Document, as well as the data, specifications and other information set forth in it, are the exclusive property of AVENTICS GmbH. It may not be reproduced or given to third parties without its consent. Only use the AVENTICS products shown in industrial applications. Read the product documentation completely and carefully before using the product. Observe the applicable regulations and laws of the respective country. When integrating the product into applications, note the system manufacturer's specifications for safe use of the product. The data specified only serve to describe the product. No statements concerning a certain condition or suitability for a certain application can be derived from our information. The information given does not release the user from the obligation of own judgment and verification. It must be remembered that the products are subject to a natural process of wear and aging.

The Emerson logo is a trademark and service mark of Emerson Electric Co. Brand logotype are registered trademarks of one of the Emerson family of companies. All other marks are the property of their respective owners. © 2019 Emerson Electric Co. All rights reserved.



**CONSIDER IT SOLVED™**