

## Serie 573



**AVENTICS™**

**Valvole a scarico rapido  
AVENTICS serie 573**

  
**EMERSON™**

## Serie 573

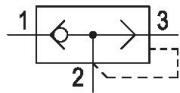
La valvola a scarico rapido, serie 573 AVENTICS è progettata per applicazioni con portate elevate grazie a un flusso di scarico fino a 12.000 l/min.

- $Q_n = 220 \text{ l/min} \dots 12\,000 \text{ l/min}$
- Filettatura interna / Filettatura interna



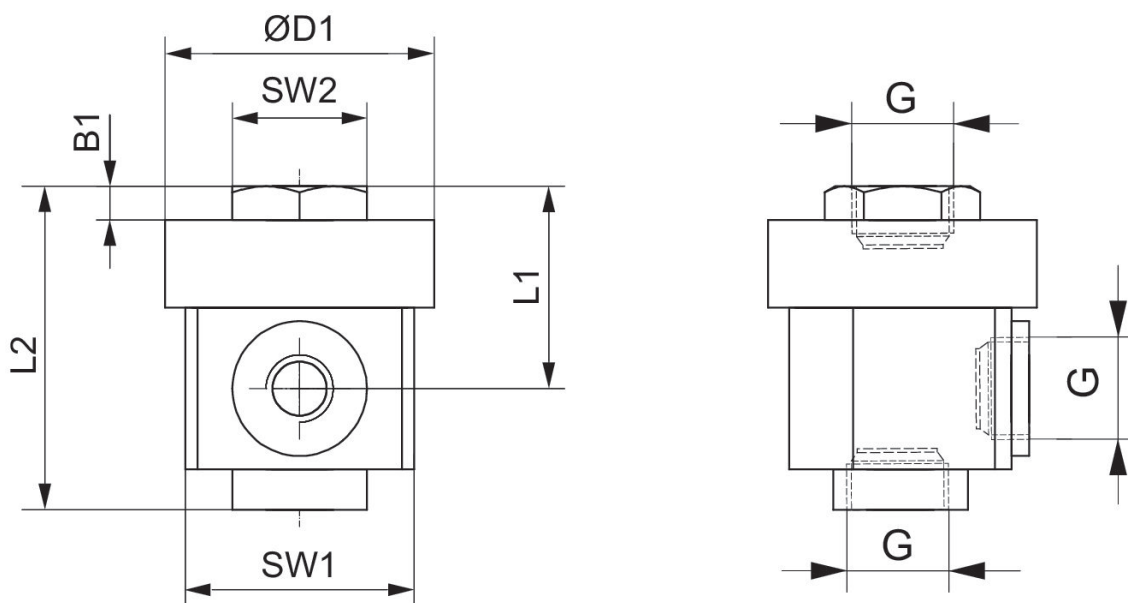
Valvola di scarico rapido, Serie 573

Filettatura interna  
Filettatura interna



ingresso	Tipo di raccordo aria compressa ingresso	uscita	Tipo di raccordo aria compressa uscita	scarico raccordo aria compressa	Tipo di raccordo aria compressa 3	Qn 1 > 2 [l/min]	Qn 2 > 3 [l/min]	Codice
M5	Filettatura interna	M5	Filettatura interna	M5	Filettatura interna	220	300	5735040900

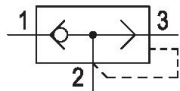
Dimensioni



Codice	Raccordo G	B1	ØD1	L1	L2	SW1	SW2
5735040900	M5	2.5	20	17	25	17	10

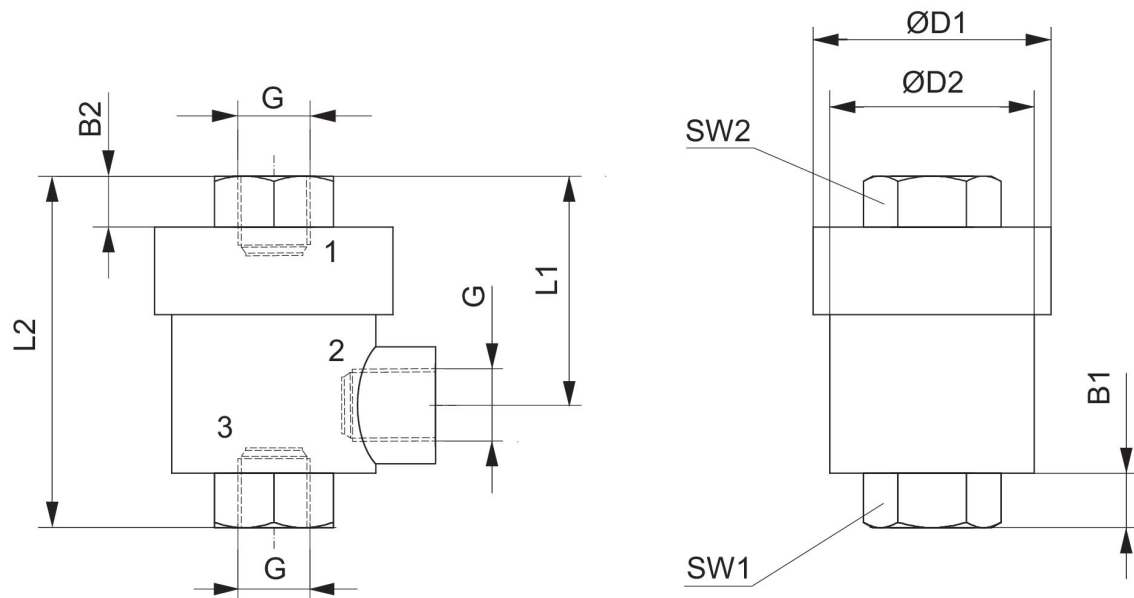
Valvola di scarico rapido, Serie 573

Filettatura interna  
Filettatura interna



ingresso	Tipo di raccordo aria compressa ingresso	uscita	Tipo di raccordo aria compressa uscita	scarico raccordo aria compressa	Tipo di raccordo aria compressa 3	Qn 1 > 2 [l/min]	Qn 2 > 3 [l/min]	Codice
G 1/8	Filettatura interna	G 1/8	Filettatura interna	G 1/8	Filettatura interna	680	1100	5735040000
G 1/4	Filettatura interna	G 1/4	Filettatura interna	G 1/4	Filettatura interna	1200	2100	5735040100
G 3/8	Filettatura interna	G 3/8	Filettatura interna	G 3/8	Filettatura interna	1800	3450	R412010750
G 1/2	Filettatura interna	G 1/2	Filettatura interna	G 1/2	Filettatura interna	3400	6100	5735040300
G 3/4	Filettatura interna	G 3/4	Filettatura interna	G 3/4	Filettatura interna	2500	9800	R412010751
G 1	Filettatura interna	G 1	Filettatura interna	G 1	Filettatura interna	7200	12000	R412010752

Dimensioni

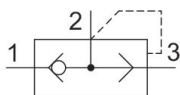
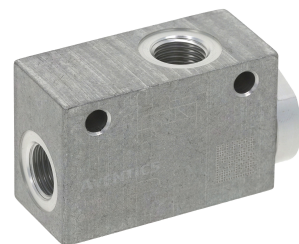


Codice	Raccordo G	B1	B2	ØD1	ØD2	L1	L2	SW1	SW2
5735040000	G 1/8	6.5	6.5	28	24	27	42	15	15
5735040100	G 1/4	9.5	9	33.5	29.5	35	53	19	19

Codice	Raccordo G	B1	B2	ØD1	ØD2	L1	L2	SW1	SW2
R412010750	G 3/8	10	10	32.5	29.5	36	56	21	21
R412010751	G 3/4	19	16	49	45.5	55	90	32	32
R412010752	G 1	17	17	80	70	70	110	46	46

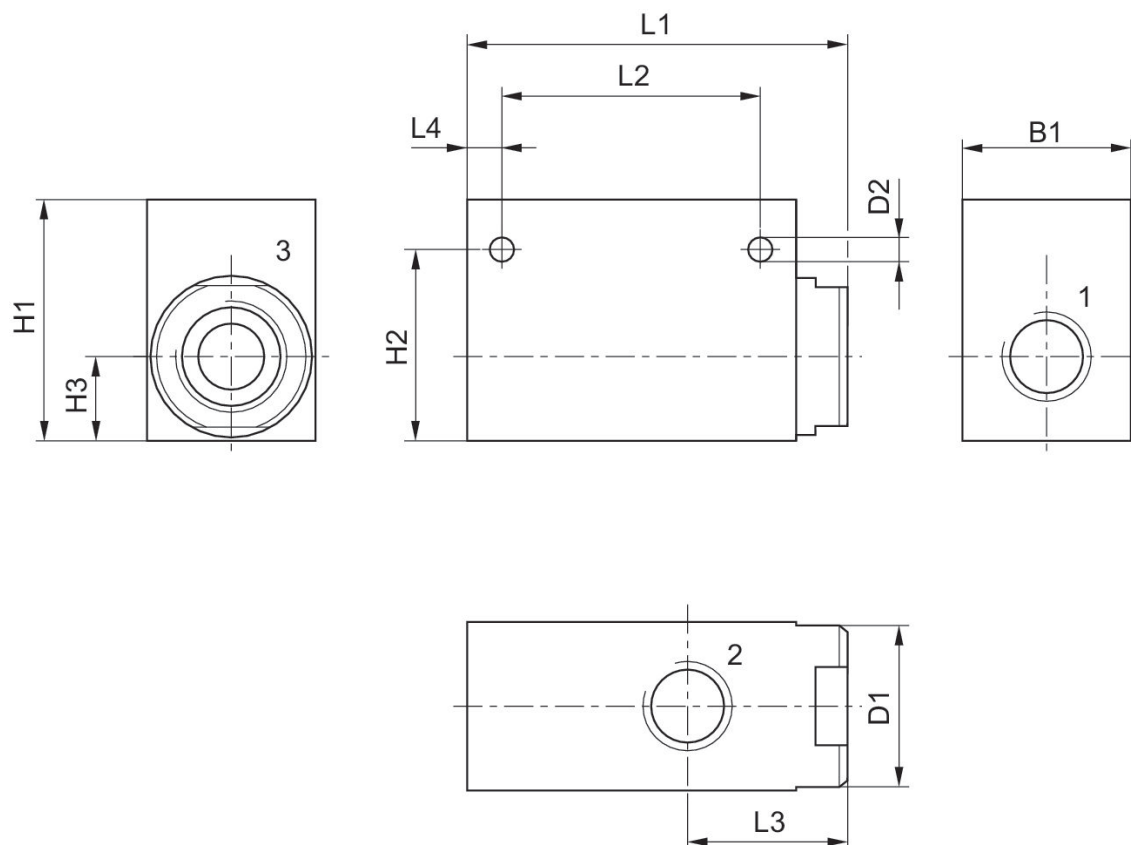
Valvola di scarico rapido

Filettatura interna  
Filettatura interna



ingresso	Tipo di raccordo aria compressa ingresso	uscita	Tipo di raccordo aria compressa uscita	scarico raccordo aria compressa	Tipo di raccordo aria compressa 3	Qn 1 > 2 [l/min]	Qn 2 > 3 [l/min]	Codice
G 1/4	Filettatura interna	G 1/4	Filettatura interna	G 3/8	Filettatura interna	1000	2050	0821002003
G 3/8	Filettatura interna	G 3/8	Filettatura interna	G 3/8	Filettatura interna	2050	2050	0821002004
G 1/2	Filettatura interna	G 1/2	Filettatura interna	G 3/4	Filettatura interna	3500	7000	0821002002

Dimensioni



Codice	Attacco 1	Attacco 2	Attacco 3	B1	D1	D2	H1	H2	H3	L1
0821002003	G 1/4	G 1/4	G 3/8	25	25	5.5	36	30.2	13.2	62
0821002004	G 3/8	G 3/8	G 3/8	25	25	5.5	42	30.2	13.2	62
0821002002	G 1/2	G 1/2	G 3/4	44	40	6	55	43	21	78.5

L2	L3	L4
38	26	8.5
38	26	8.5
50	34.5	9

# Efficient pneumatic solutions, our program: cylinders and drives, valves and valve systems, air supply management



Visit us: [Emerson.com/Aventics](https://www.emerson.com/Aventics)

Your local contact: [Emerson.com/contactus](https://www.emerson.com/contactus)



[Emerson.com](https://www.emerson.com)



[Facebook.com/EmersonAutomationSolutions](https://www.facebook.com/EmersonAutomationSolutions)



[LinkedIn.com/company/Emerson-Automation-Solutions](https://www.linkedin.com/company/Emerson-Automation-Solutions)



[Twitter.com/EMR\\_Automation](https://twitter.com/EMR_Automation)

An example configuration is depicted on the title page. The delivered product may thus vary from that in the illustration. Subject to change. This Document, as well as the data, specifications and other information set forth in it, are the exclusive property of AVENTICS GmbH. It may not be reproduced or given to third parties without its consent. Only use the AVENTICS products shown in industrial applications. Read the product documentation completely and carefully before using the product. Observe the applicable regulations and laws of the respective country. When integrating the product into applications, note the system manufacturer's specifications for safe use of the product. The data specified only serve to describe the product. No statements concerning a certain condition or suitability for a certain application can be derived from our information. The information given does not release the user from the obligation of own judgment and verification. It must be remembered that the products are subject to a natural process of wear and aging.

The Emerson logo is a trademark and service mark of Emerson Electric Co. Brand logotype are registered trademarks of one of the Emerson family of companies. All other marks are the property of their respective owners. © 2019 Emerson Electric Co. All rights reserved.



**CONSIDER IT SOLVED™**