

Série 573



AVENTICS™

**Vannes d'échappement rapide
AVENTICS série 573**


EMERSON™

Série 573

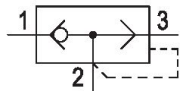
La vanne d'échappement rapide AVENTICS série 573 est conçue pour les applications à haut débit grâce à son débit d'échappement de 12 000 l/min maximum.

- $Q_n = 220 \text{ l/min} \dots 12\,000 \text{ l/min}$
- Taraudage / Taraudage



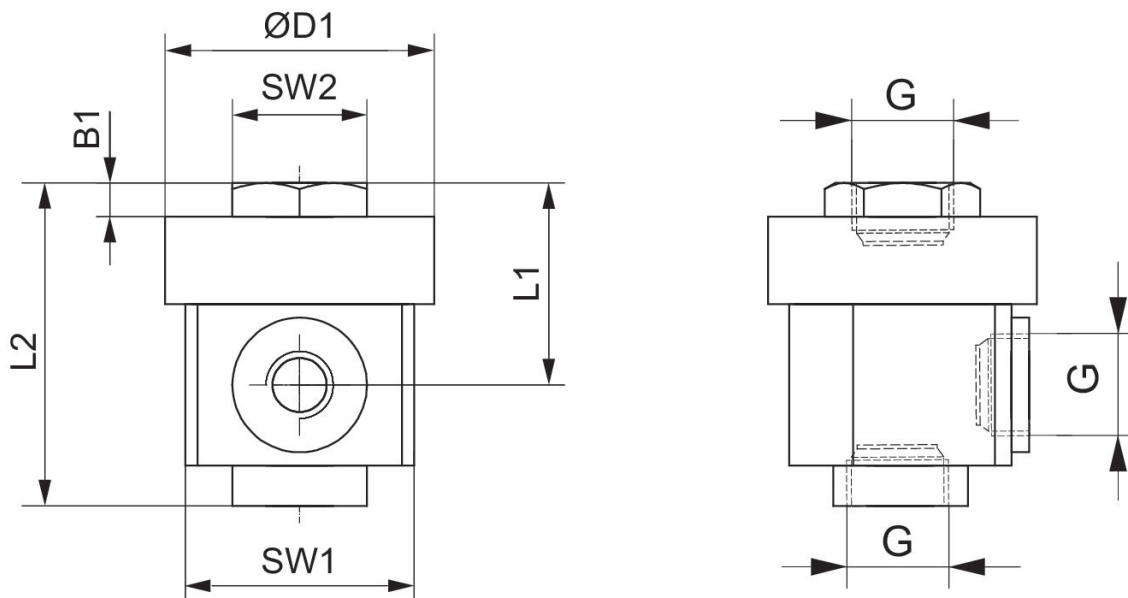
Vanne d'échappement rapide, Série 573

Taraudage
Taraudage



Entrée	Type de raccordement d'air comprimé entrée	Sortie	Type de raccordement d'air comprimé sortie	Raccord d'air comprimé échappement	Type de raccordement d'air comprimé 3	Qn 1 > 2 [l/min]	Qn 2 > 3 [l/min]	Référence
M5	Taraudage	M5	Taraudage	M5	Taraudage	220	300	5735040900

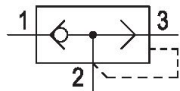
Dimensions



Référence	Orifice G	B1	ØD1	L1	L2	SW1	SW2
5735040900	M5	2.5	20	17	25	17	10

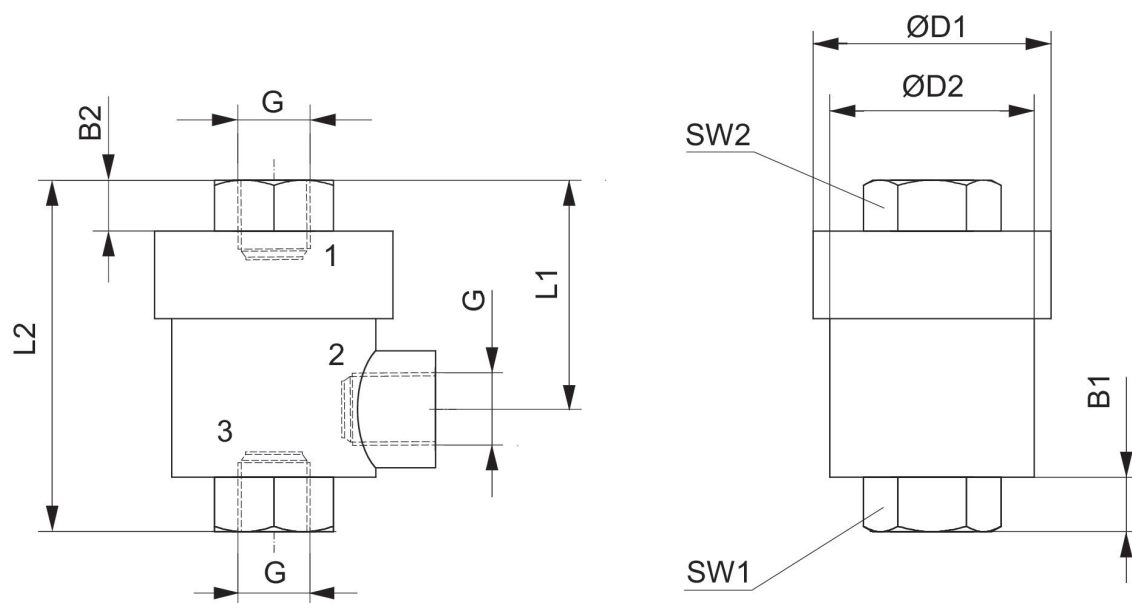
Vanne d'échappement rapide, Série 573

Taraudage
Taraudage



Entrée	Type de raccordement d'air comprimé entrée	Sortie	Type de raccordement d'air comprimé sortie	Raccord d'air comprimé échappement	Type de raccordement d'air comprimé 3	Qn 1 > 2 [l/min]	Qn 2 > 3 [l/min]	Référence
G 1/8	Taraudage	G 1/8	Taraudage	G 1/8	Taraudage	680	1100	5735040000
G 1/4	Taraudage	G 1/4	Taraudage	G 1/4	Taraudage	1200	2100	5735040100
G 3/8	Taraudage	G 3/8	Taraudage	G 3/8	Taraudage	1800	3450	R412010750
G 1/2	Taraudage	G 1/2	Taraudage	G 1/2	Taraudage	3400	6100	5735040300
G 3/4	Taraudage	G 3/4	Taraudage	G 3/4	Taraudage	2500	9800	R412010751
G 1	Taraudage	G 1	Taraudage	G 1	Taraudage	7200	12000	R412010752

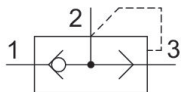
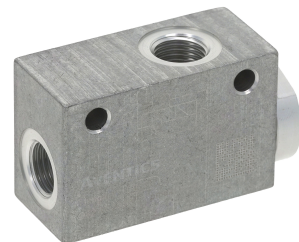
Dimensions



Référence	Orifice G	B1	B2	ØD1	ØD2	L1	L2	SW1	SW2
5735040000	G 1/8	6.5	6.5	28	24	27	42	15	15
5735040100	G 1/4	9.5	9	33.5	29.5	35	53	19	19
R412010750	G 3/8	10	10	32.5	29.5	36	56	21	21
R412010751	G 3/4	19	16	49	45.5	55	90	32	32
R412010752	G 1	17	17	80	70	70	110	46	46

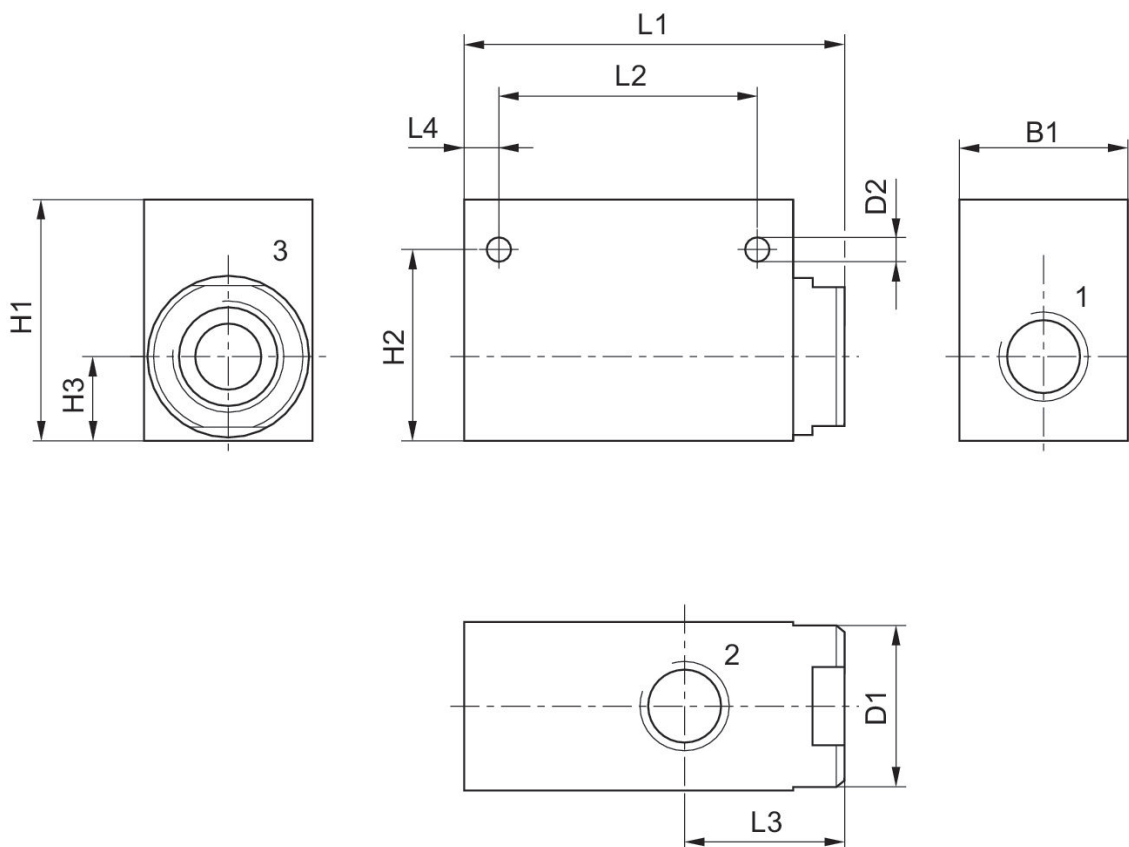
Vanne d'échappement rapide

Taraudage
Taraudage



Entrée	Type de raccordement d'air comprimé entrée	Sortie	Type de raccordement d'air comprimé sortie	Raccord d'air comprimé échappement	Type de raccordement d'air comprimé 3	Qn 1 > 2 [l/min]	Qn 2 > 3 [l/min]	Référence
G 1/4	Taraudage	G 1/4	Taraudage	G 3/8	Taraudage	1000	2050	0821002003
G 3/8	Taraudage	G 3/8	Taraudage	G 3/8	Taraudage	2050	2050	0821002004
G 1/2	Taraudage	G 1/2	Taraudage	G 3/4	Taraudage	3500	7000	0821002002

Dimensions



Référence	Orifice 1	Orifice 2	Orifice 3	B1	D1	D2	H1	H2	H3	L1
0821002003	G 1/4	G 1/4	G 3/8	25	25	5.5	36	30.2	13.2	62

Référence	Orifice 1	Orifice 2	Orifice 3	B1	D1	D2	H1	H2	H3	L1
0821002004	G 3/8	G 3/8	G 3/8	25	25	5.5	42	30.2	13.2	62
0821002002	G 1/2	G 1/2	G 3/4	44	40	6	55	43	21	78.5

L2	L3	L4
38	26	8.5
38	26	8.5
50	34.5	9

Efficient pneumatic solutions, our program: cylinders and drives, valves and valve systems, air supply management



Visit us: [Emerson.com/Aventics](https://www.emerson.com/aventics)

Your local contact: [Emerson.com/contactus](https://www.emerson.com/contactus)



[Emerson.com](https://www.emerson.com)



[Facebook.com/EmersonAutomationSolutions](https://www.facebook.com/EmersonAutomationSolutions)



[LinkedIn.com/company/Emerson-Automation-Solutions](https://www.linkedin.com/company/Emerson-Automation-Solutions)



[Twitter.com/EMR_Automation](https://twitter.com/EMR_Automation)

An example configuration is depicted on the title page. The delivered product may thus vary from that in the illustration. Subject to change. This Document, as well as the data, specifications and other information set forth in it, are the exclusive property of AVENTICS GmbH. It may not be reproduced or given to third parties without its consent. Only use the AVENTICS products shown in industrial applications. Read the product documentation completely and carefully before using the product. Observe the applicable regulations and laws of the respective country. When integrating the product into applications, note the system manufacturer's specifications for safe use of the product. The data specified only serve to describe the product. No statements concerning a certain condition or suitability for a certain application can be derived from our information. The information given does not release the user from the obligation of own judgment and verification. It must be remembered that the products are subject to a natural process of wear and aging.

The Emerson logo is a trademark and service mark of Emerson Electric Co. Brand logotype are registered trademarks of one of the Emerson family of companies. All other marks are the property of their respective owners. © 2019 Emerson Electric Co. All rights reserved.



CONSIDER IT SOLVED™