

Logic valves

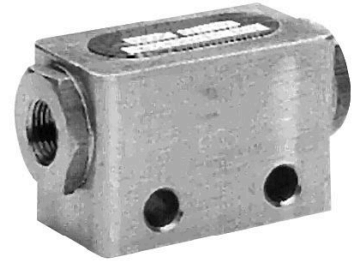


AVENTICS™

Shuttle valves (OR)


EMERSON™

Logic valves



Product overview

Logic valves

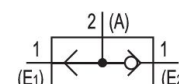
	Page
Shuttle valves (OR) M5.....	5
Aluminum	
Shuttle valves (OR) M5.....	6
Polyamide	
Shuttle valves (OR) G1/8.....	7
Aluminum	
Shuttle valves (OR) Ø 6x1.....	8
Aluminum	
Shuttle valves (OR) G 1/4.....	9
Aluminum	
Shuttle valves (OR).....	11
Shuttle valves (OR).....	13
Shuttle valves (OR).....	15
Shuttle valves (OR) Ø 4.....	17
Ø 4 - Polyamide	
OR unit.....	19
Polyamide	
Shuttle valves (AND).....	22
Ø 4 - Polyamide	
AND module.....	24
Polyamide	
Twin pressure valve (AND).....	27
Twin pressure valve (AND).....	29
Twin pressure valve (AND).....	31
Pneumatic presetting counter (add).....	33
Pneumatic presetting counter (add).....	35
Pneumatic presetting counter (add).....	37
Pneumatic presetting counter (subtracting).....	39
Pneumatic presetting counter (subtracting).....	41
Pneumatic counter.....	43
Pneumatic counter.....	45
Pneumatic counter.....	47
Pneumatic pulse generator.....	50
M5	
3/2-directional valve, Series 551.....	53
3/2-directional valve, Series 551.....	54
low pressure operated	
3/2-directional valve, Series 551.....	55
low pressure operated	
3/2-directional valve, Series 551.....	56
Polyoxymethylene	
Pressure Switches.....	57
Polyoxymethylene	
Pressure Switches, Logic function.....	58
Polyoxymethylene	
Air reservoir.....	59
Signal interrupter.....	60
Polyoxymethylene	

Product overview

	Page
Counter.....	61
Aluminum	
Pneumatic timer.....	62
Polyoxymethylene	
Pneumatic timer.....	63
Polyoxymethylene	
Accessories	
Single subbase, Logic valves.....	64
Mounting kit.....	69
Protective cover, Logic valves.....	70
for pneumatic timers 0 820 215 11	
Protective cover, Logic valves.....	71
for pneumatic counter 0 821 304 00., with key-lock	
Subbase for two valves.....	72
Single subbase.....	74

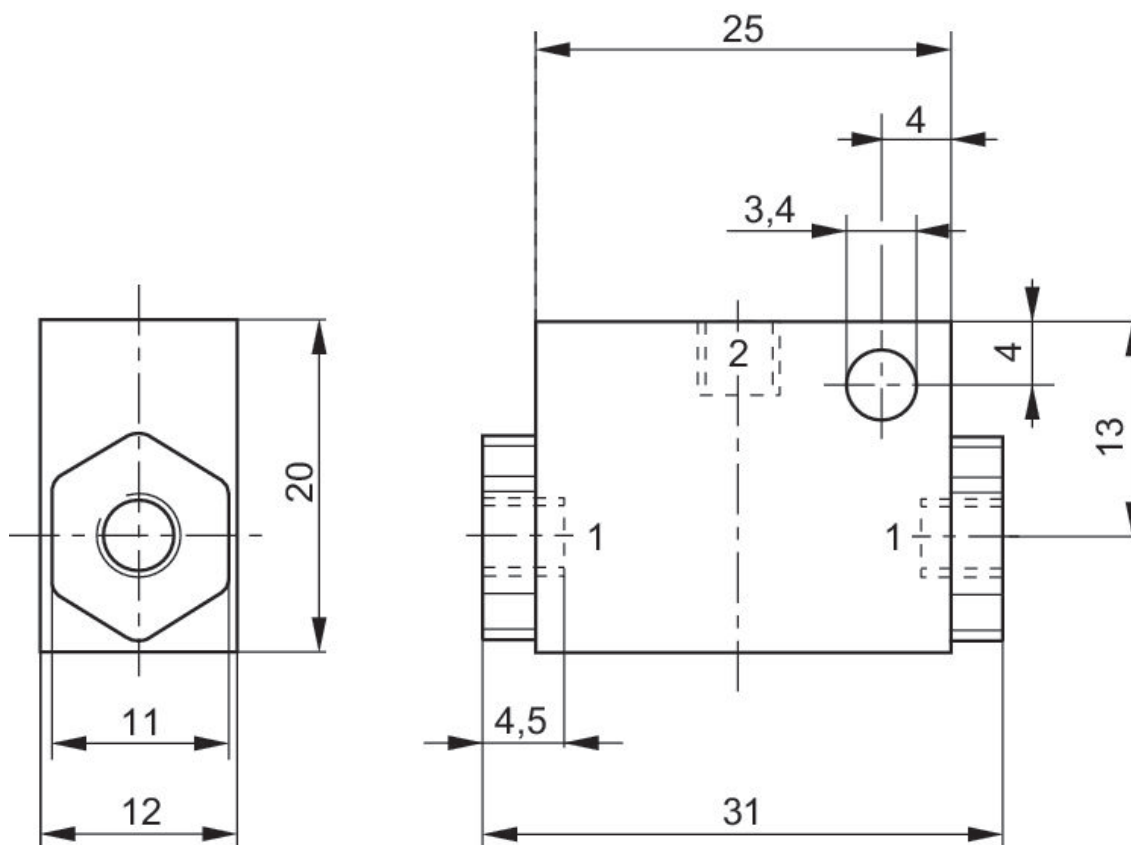
Shuttle valves (OR) M5

Ambient temperature min./max.: -20 °C ... 70 °C
Medium temperature min./max.: -20 °C ... 70 °C



Compressed air connection input	Compressed air connection output	Housing material	Part No.
M5	M5	Aluminum	5342000000

Dimensions



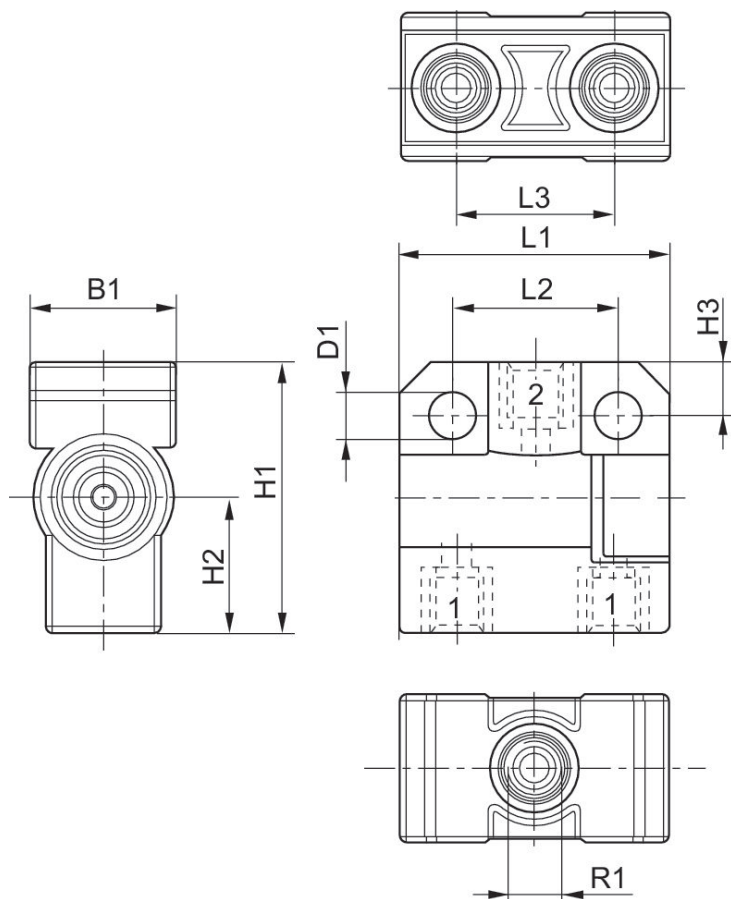
Shuttle valves (OR) M5

Ambient temperature min./max.: 0 °C ... 80 °C
 Medium temperature min./max.: 0 °C ... 80 °C
 Working pressure min./max.: 1 bar ... 10 bar



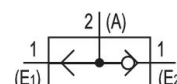
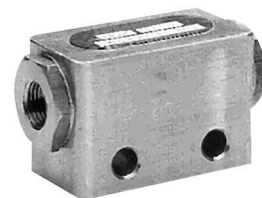
	Compressed air connection input	Compressed air connection output	Flow Qn [l/min]	Housing material	Part No.
	M5	M5	80	Polyamide	0821000004

Dimensions



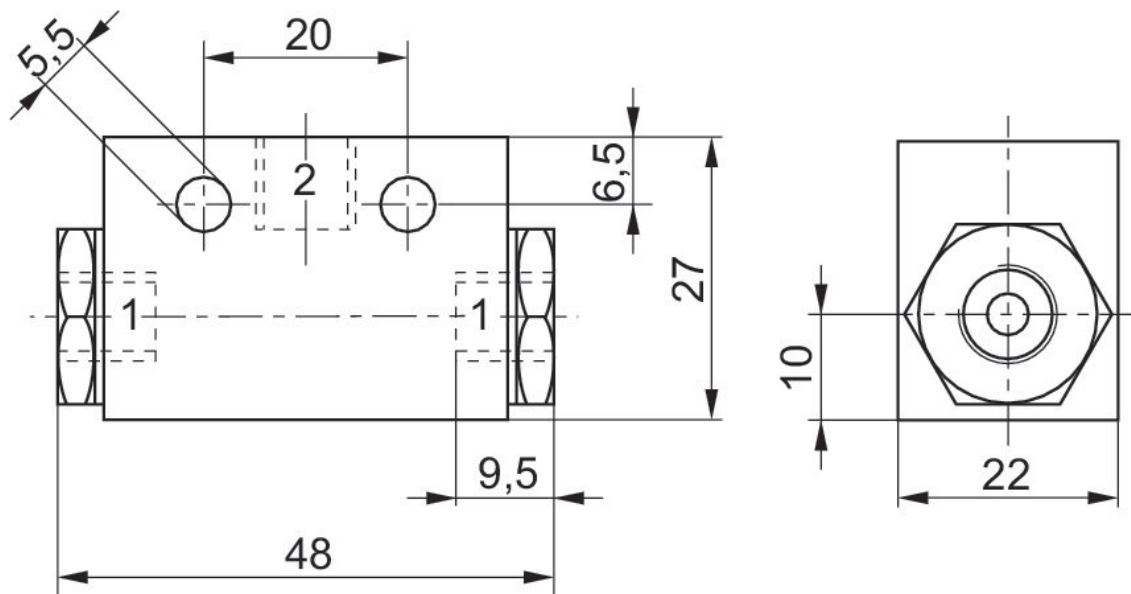
Shuttle valves (OR) G1/8

Ambient temperature min./max.: -20 °C ... 70 °C
Medium temperature min./max.: -20 °C ... 70 °C



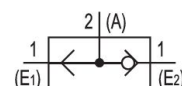
Compressed air connection input	Compressed air connection output	Housing material	Part No.
G 1/8	G 1/8	Aluminum	5342010100

Dimensions



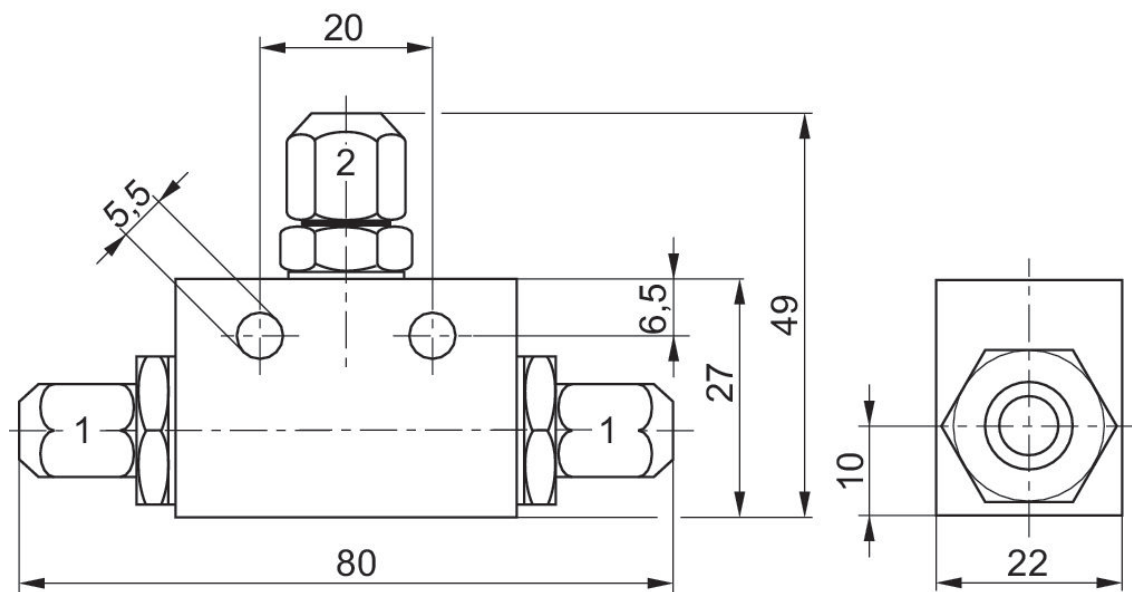
Shuttle valves (OR) Ø 6x1

Ambient temperature min./max.: -20 °C ... 70 °C
Medium temperature min./max.: -20 °C ... 70 °C



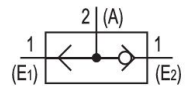
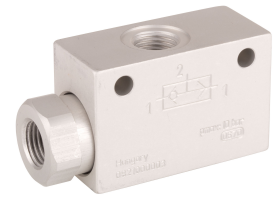
Compressed air connection input	Compressed air connection output	Housing material	Part No.
Ø 6x1	Ø 6x1	Aluminum	5342010200

Dimensions



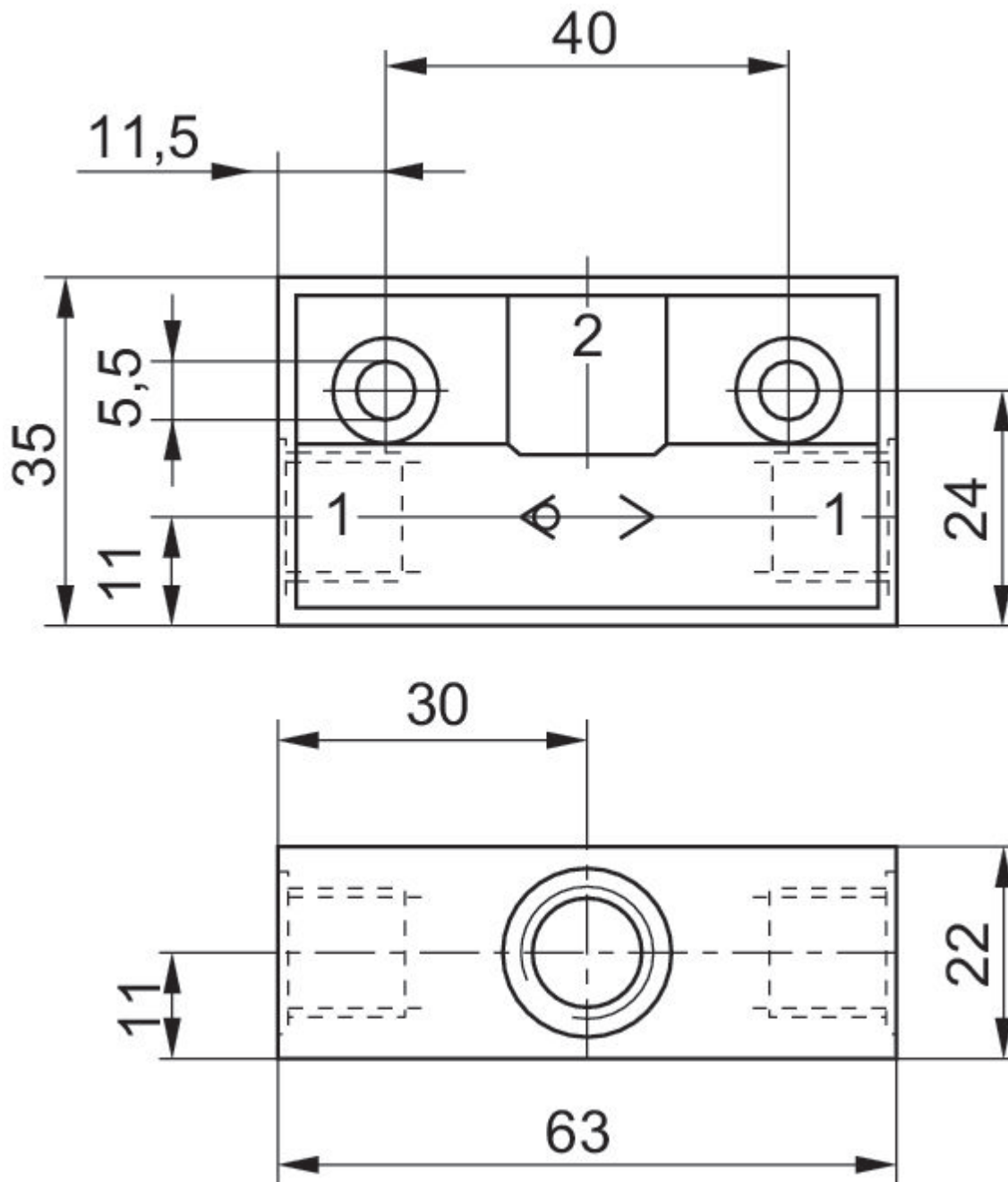
Shuttle valves (OR) G 1/4

Ambient temperature min./max.: -20 °C ... 70 °C
Medium temperature min./max.: -20 °C ... 70 °C



Compressed air connection input	Compressed air connection output	Housing material	Part No.
G 1/4	G 1/4	Aluminum	5340170100

Dimensions



Shuttle valves (OR)

Ambient temperature min./max.: 0 °C ... 80 °C

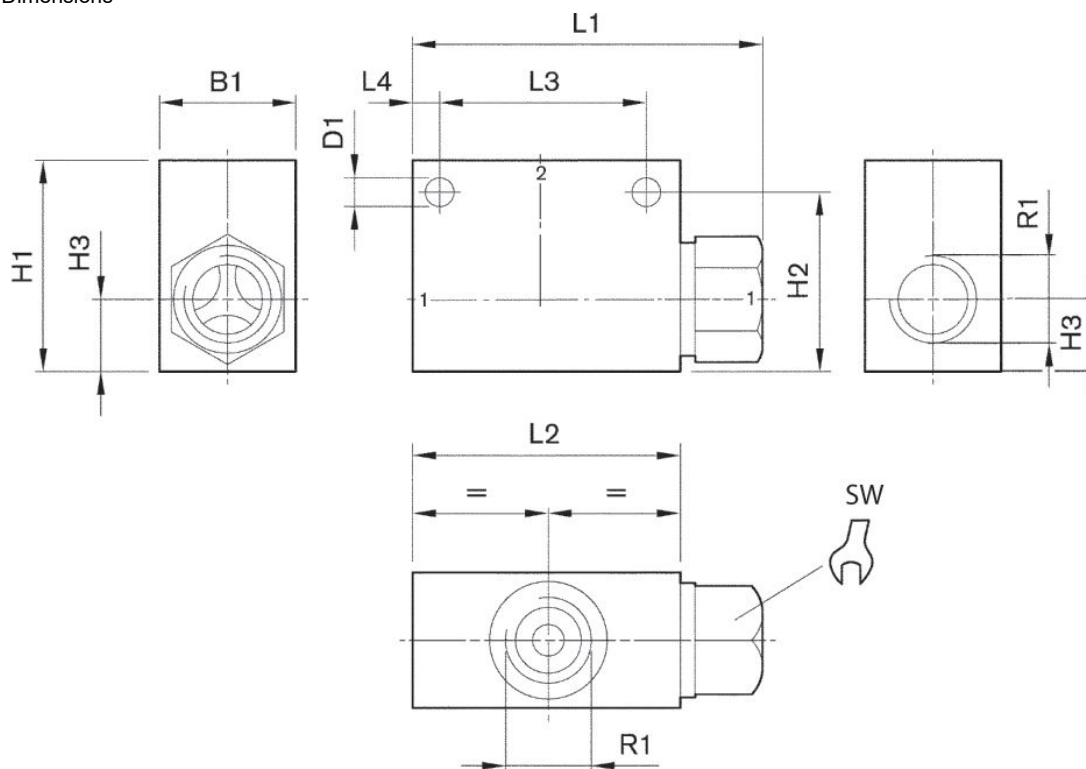
Medium temperature min./max.: 0 °C ... 80 °C

Working pressure min./max.: 1 bar ... 10 bar



	Compressed air connection input	Compressed air connection output	Flow Qn [l/min]	Housing material	Part No.
	G 1/8	G 1/8	640	Aluminum	0821000002
	G 1/4	G 1/4	1550	Aluminum	0821000003

Dimensions



Part No.	R1	D1	L1	L2	L3	L4	H1	H2	H3
0821000002	G 1/8	4.3	42	32	25	3.5	25	21	8.5
0821000003	G 1/4	5.5	67.5	55	38	8.5	36.2	30.2	13.2

Part No.	B1	SW	*
0821000002	16	14	8
0821000003	25	22	12

* = depth of thread

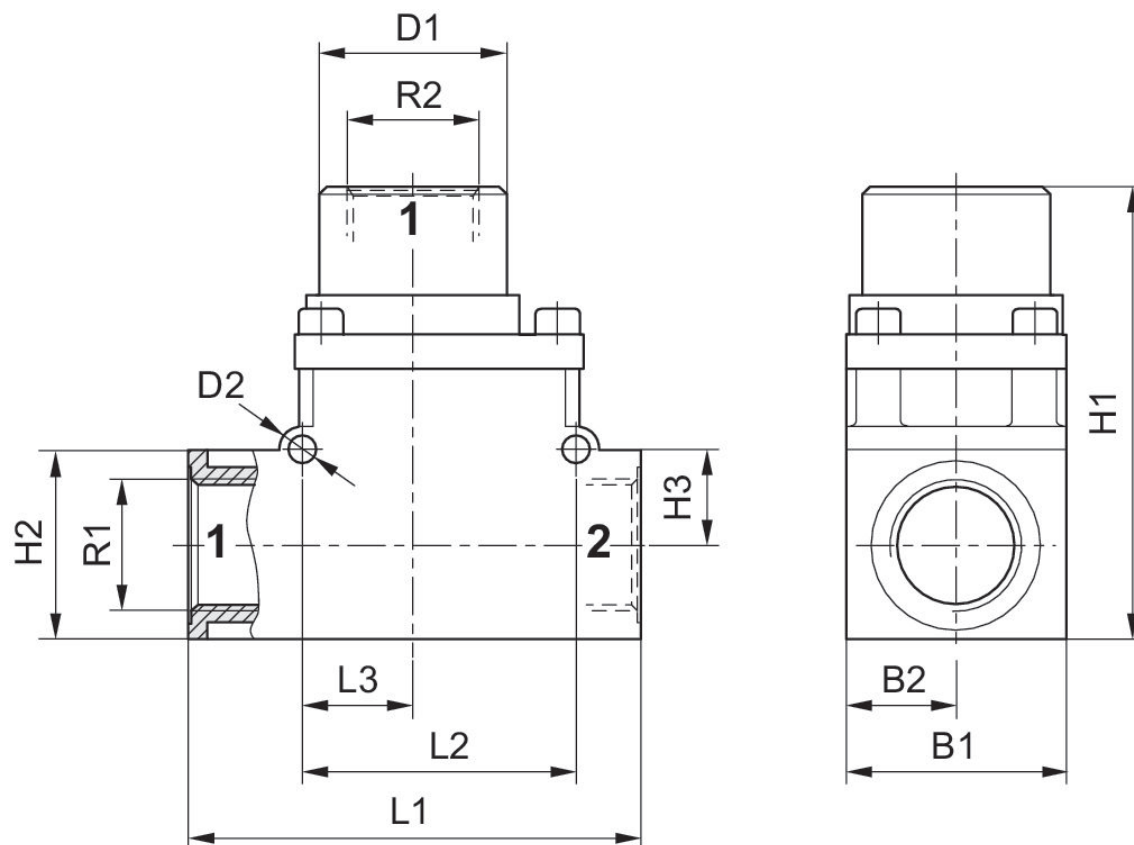
Shuttle valves (OR)

Ambient temperature min./max.: 0 °C ... 80 °C
 Medium temperature min./max.: 0 °C ... 80 °C
 Working pressure min./max.: 1 bar ... 10 bar



	Compressed air connection input	Compressed air connection output	Flow Qn [l/min]	Housing material	Part No.
	G 3/8	G 3/8	2150	Aluminum	0821000010
	G 1/2	G 1/2	2300	Aluminum	0821000011

Dimensions

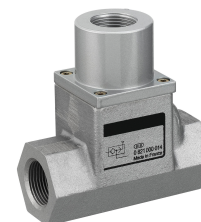


Part No.	R1	R2	D1	D2	L1	L2	L3	H1	H2
0821000010	G 3/8	G 3/8	34	4.5	72	44	18	72	30
0821000011	G 1/2	G 1/2	34	4.5	72	44	18	72	30

Part No.	H3	B1	B2
0821000010	15	35	17.5
0821000011	15	35	17.5

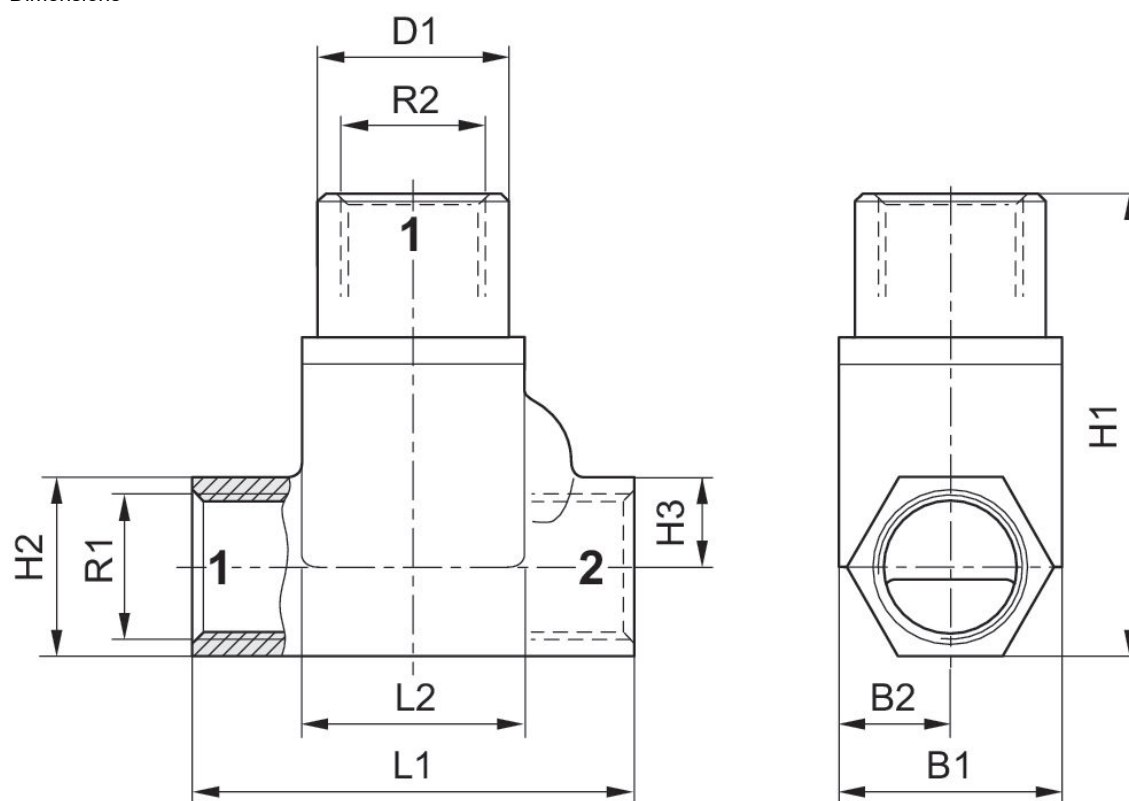
Shuttle valves (OR)

Ambient temperature min./max.: 0 °C ... 80 °C
Medium temperature min./max.: 0 °C ... 80 °C
Working pressure min./max.: 1 bar ... 10 bar



	Compressed air connection input	Compressed air connection output	Flow Qn [l/min]	Housing material	Part No.
	G 3/4	G 3/4	4800	Aluminum	0821000014
	G 1	G 1	6100	Aluminum	0821000015

Dimensions



Part No.	R1	R2	D1	L1	L2	H1	H2	H3	B1
0821000014	G 3/4	G 3/4	44	100	51	107	41	20.5	50
0821000015	G 1	G 1	44	100	51	107	41	20.5	50

Part No.	B2
0821000014	25
0821000015	25

Shuttle valves (OR) Ø 4

Flow: 80 l/min

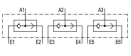
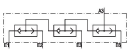
Compressed air connection: Ø 4

Ambient temperature min./max.: 0 °C ... 80 °C

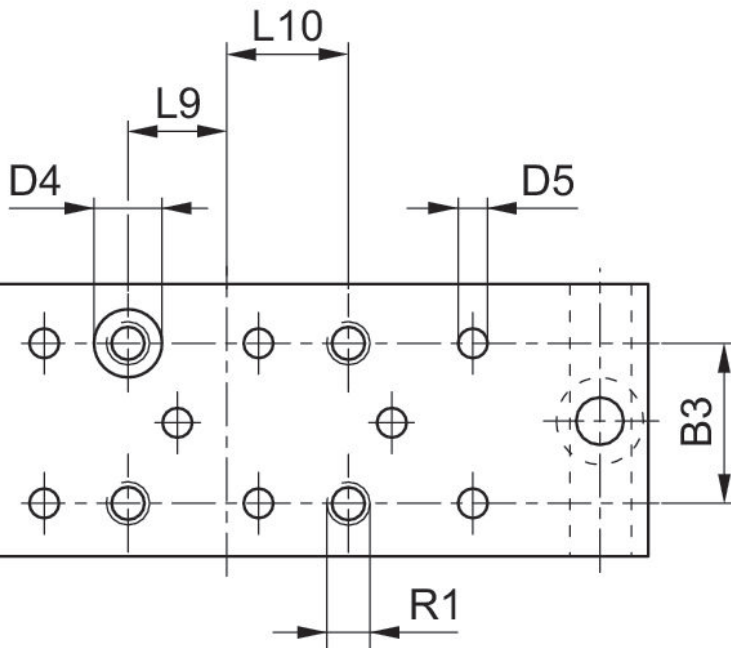
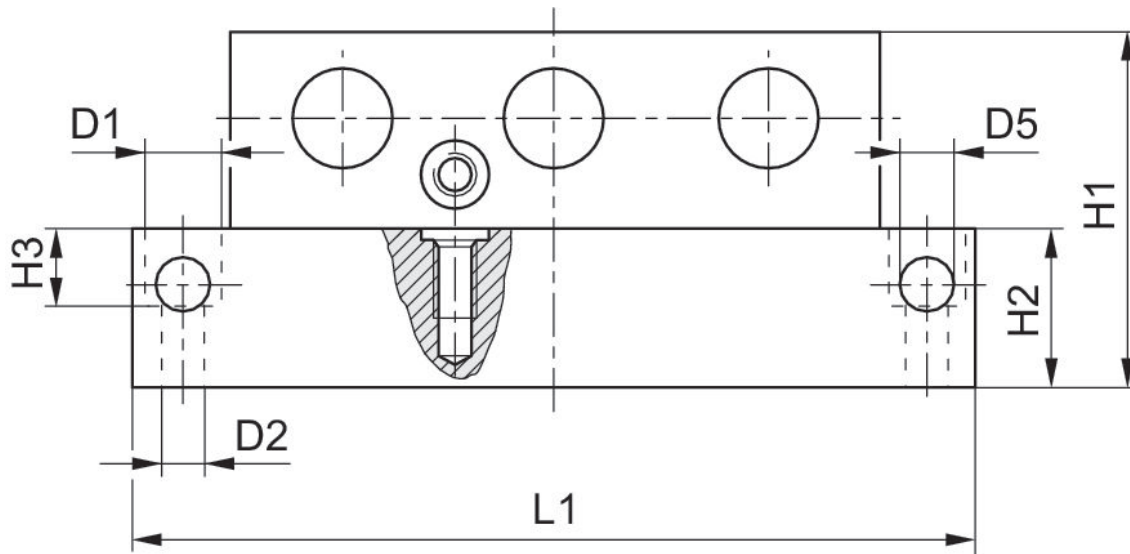
Medium temperature min./max.: 0 °C ... 80 °C

Working pressure min./max.: 1 bar ... 10 bar



	Compressed air connection input	Compressed air connection output	Flow Qn [l/min]	Housing material	Part No.
	Ø 4	Ø 4	80	Polyamide	082100008
	Ø 4	Ø 4	80	Polyamide	082100009

Dimensions



Part No.	R1	D1	D2	D3	D4	D5	H1	H2	H3
0821000008	M4	8	4	5.3	6.2	2.5	34	15	7.2
0821000009	M4	8	4	5.3	6.2	2.5	34	15	7.2
0821001008	M4	8	4	5.3	6.2	2.5	34	15	7.2
0821001009	M4	8	4	5.3	6.2	2.5	34	15	7.2

L1	L9	L10	B3
80	9.5	11	15
80	9.5	11	15
80	9.5	11	15
80	9.5	11	15

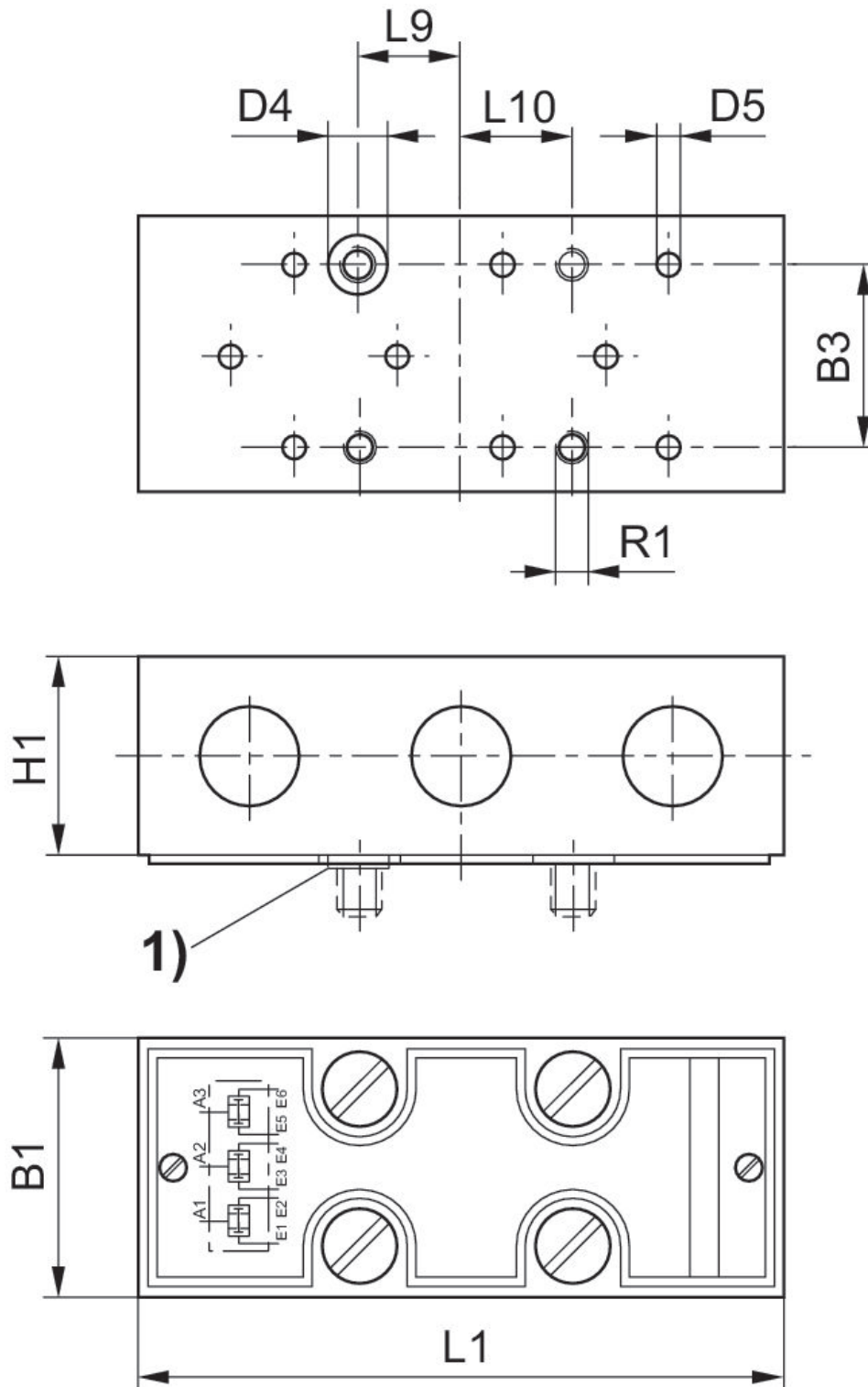
OR unit

Flow: 80 l/min
 Ambient temperature min./max.: 0 °C ... 80 °C
 Medium temperature min./max.: 0 °C ... 80 °C
 Working pressure min./max.: 1 bar ... 10 bar



	Flow Qn [l/min]	Housing material	Part No.
	80	Polyamide	0821000005
	80	Polyamide	0821000006

Dimensions



1) pins for securing the position

Dimensions

Part No.	R1	D4	D5	H1	L1	L9	L10	B1	B3
0821000005	M4	6.2	2.5	19	61.5	9.5	11	25	15
0821000006	M4	6.2	2.5	19	61.5	9.5	11	25	15
0821001005	M4	6.2	2.5	19	61.5	9.5	11	25	15
0821001007	M4	6.2	2.5	19	61.5	9.5	11	25	15

1) pins for securing the position

Shuttle valves (AND)

Flow: 80 l/min

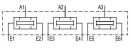
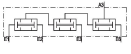
Compressed air connection: Ø 4

Ambient temperature min./max.: 0 °C ... 80 °C

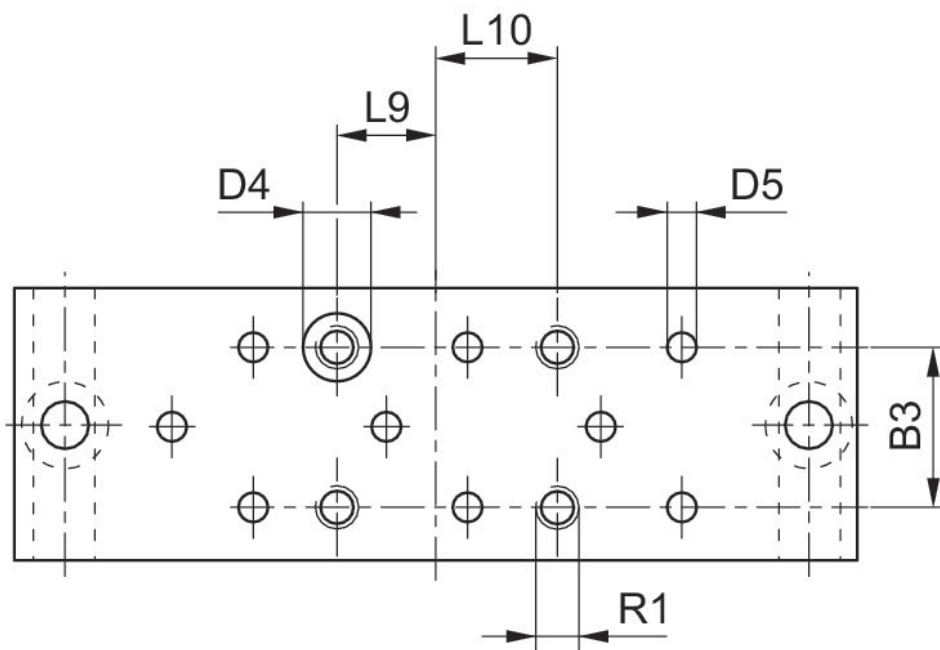
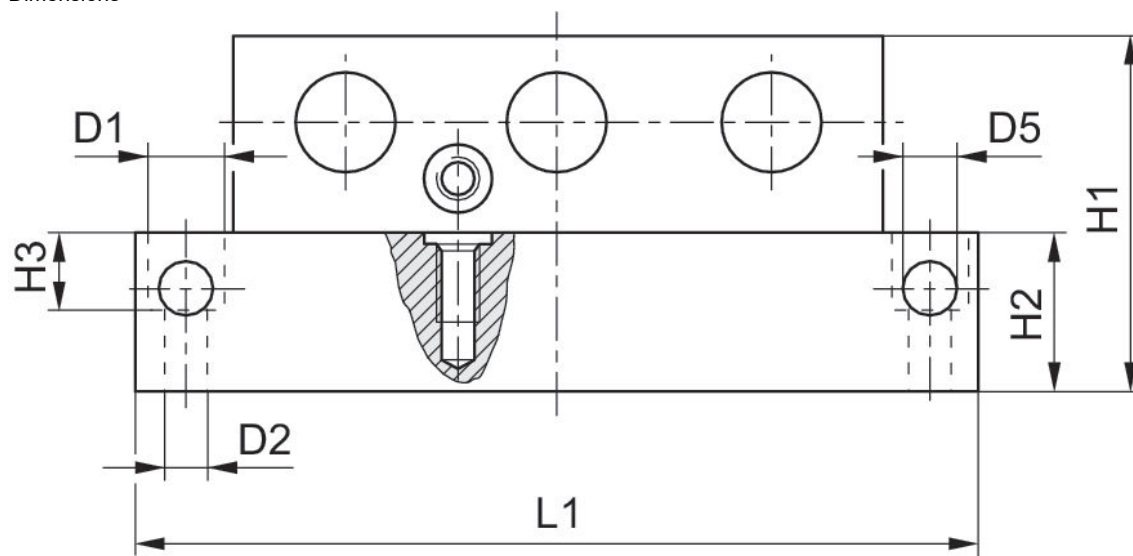
Medium temperature min./max.: 0 °C ... 80 °C

Working pressure min./max.: 1 bar ... 10 bar



	Compressed air connection input	Compressed air connection output	Flow Qn [l/min]	Housing material	Part No.
	Ø 4	Ø 4	80	Polyamide	0821001008
	Ø 4	Ø 4	80	Polyamide	0821001009

Dimensions



Part No.	R1	D1	D2	D3	D4	D5	H1	H2	H3
0821000008	M4	8	4	5.3	6.2	2.5	34	15	7.2
0821000009	M4	8	4	5.3	6.2	2.5	34	15	7.2
0821001008	M4	8	4	5.3	6.2	2.5	34	15	7.2
0821001009	M4	8	4	5.3	6.2	2.5	34	15	7.2

L1	L9	L10	B3
80	9.5	11	15
80	9.5	11	15
80	9.5	11	15
80	9.5	11	15

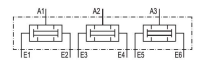
AND module

Flow: 80 l/min

Ambient temperature min./max.: 0 °C ... 80 °C

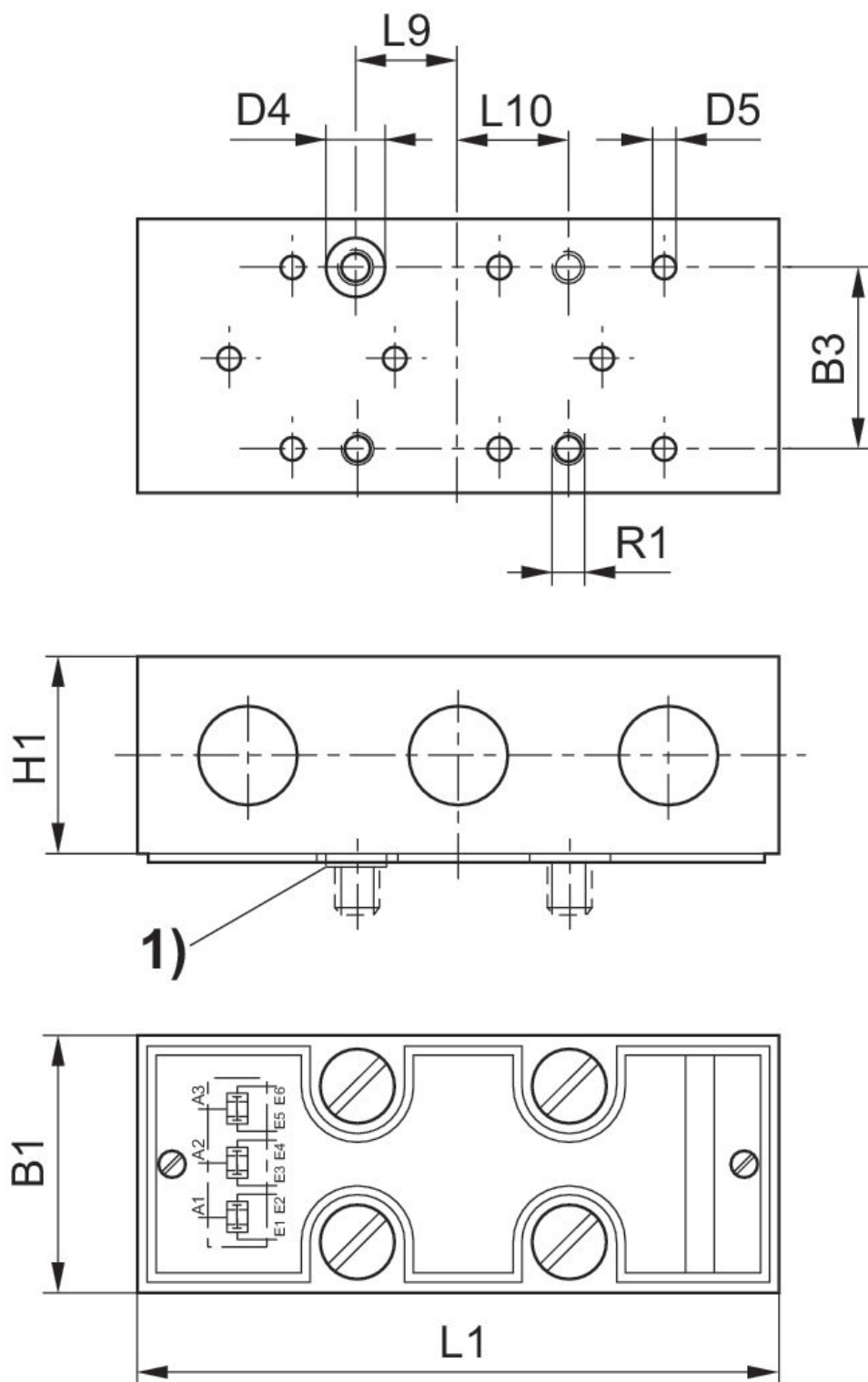
Medium temperature min./max.: 0 °C ... 80 °C

Working pressure min./max.: 1 bar ... 10 bar



Flow Qn [l/min]	Housing material	Part No.
80	Polyamide	0821001005
80	Polyamide	0821001007

Dimensions



1) pins for securing the position

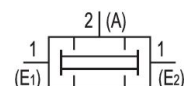
Dimensions

Part No.	R1	D4	D5	H1	L1	L9	L10	B1	B3
0821000005	M4	6.2	2.5	19	61.5	9.5	11	25	15
0821000006	M4	6.2	2.5	19	61.5	9.5	11	25	15
0821001005	M4	6.2	2.5	19	61.5	9.5	11	25	15
0821001007	M4	6.2	2.5	19	61.5	9.5	11	25	15

1) pins for securing the position

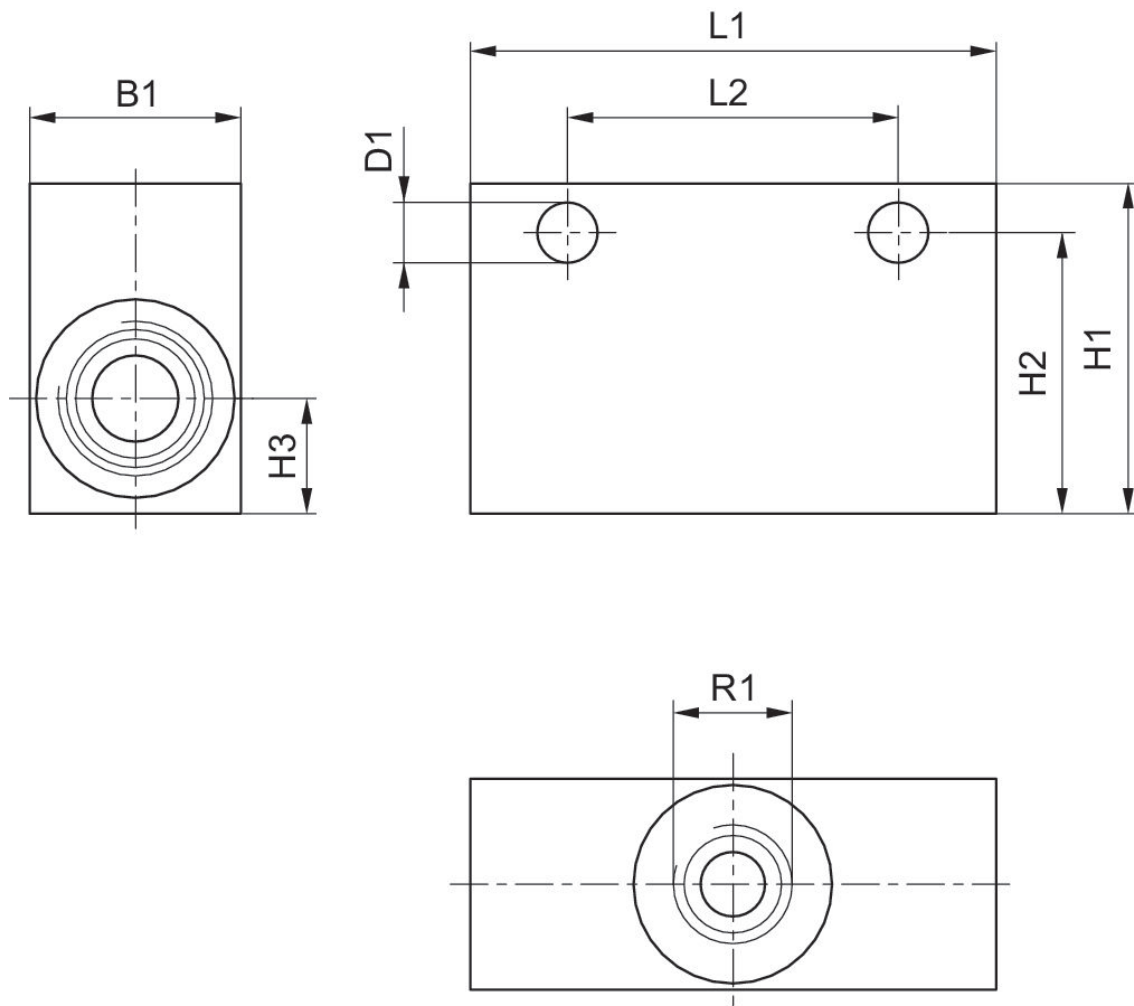
Twin pressure valve (AND)

Ambient temperature min./max.: 0 °C ... 80 °C
 Medium temperature min./max.: 0 °C ... 80 °C
 Working pressure min./max.: 1 bar ... 10 bar



Compressed air connection input	Compressed air connection output	Flow Qn [l/min]	Housing material	Part No.
G 1/8	G 1/8	300	Aluminum	0821001003
G 1/4	G 1/4	800	Aluminum	0821001002

Dimensions

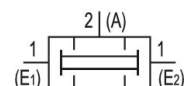


Part No.	R1	B1	D1	H1	H2	H3	L1	L2	*
0821001003	G 1/8	16	4.3	25	21	8.5	40	25	8
0821001002	G 1/4	25	5.5	32	26	9.5	55	38	12

* = depth of thread

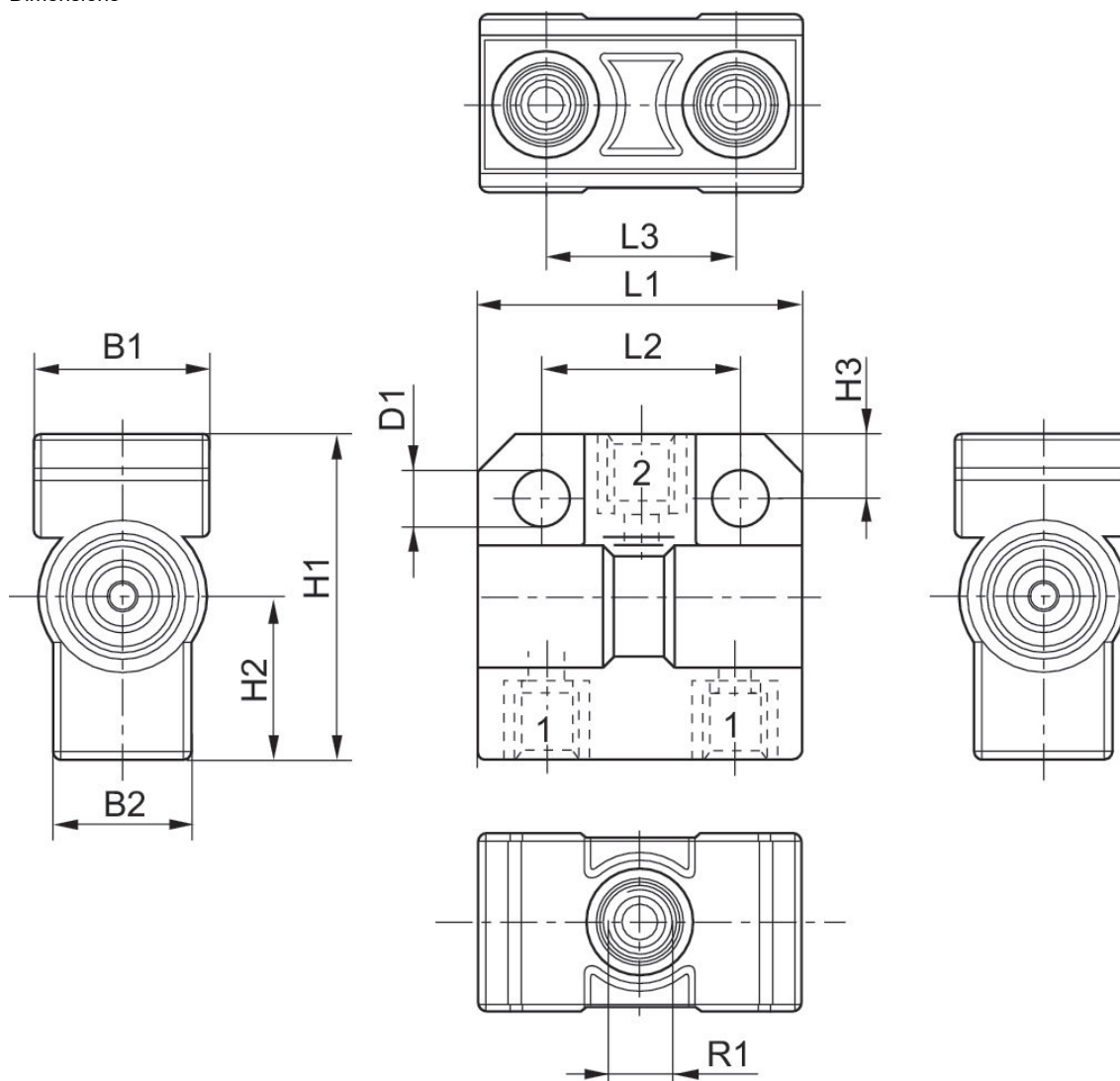
Twin pressure valve (AND)

Ambient temperature min./max.: 0 °C ... 80 °C
 Medium temperature min./max.: 0 °C ... 80 °C
 Working pressure min./max.: 1 bar ... 10 bar



Compressed air connection input	Compressed air connection output	Flow Qn [l/min]	Housing material	Part No.
M5	M5	80	Polyamide	0821001004

Dimensions



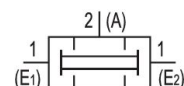
Part No.	R1	B1	B2	D1	H1	H2	H3	L1	L2
0821001004	M5	14	11	4.3	26	13	5	26	16

Part No.	L3	*
0821001004	15	5

* = depth of thread

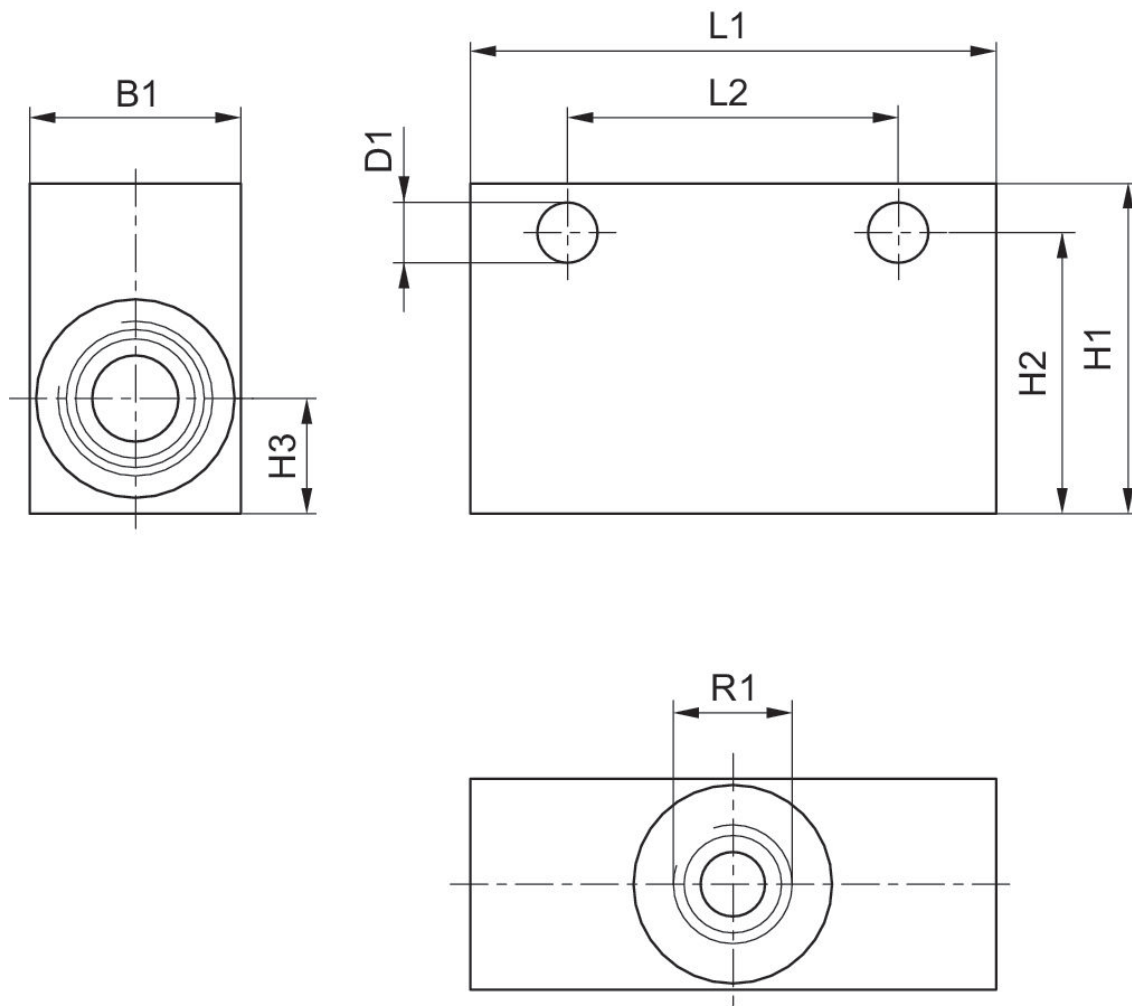
Twin pressure valve (AND)

Ambient temperature min./max.: 0 °C ... 80 °C
 Medium temperature min./max.: 0 °C ... 80 °C
 Working pressure min./max.: 1 bar ... 10 bar



Compressed air connection input	Compressed air connection output	Flow Qn [l/min]	Housing material	Part No.
G 1/8	G 1/8	300	Aluminum	0821001003
G 1/4	G 1/4	800	Aluminum	0821001002

Dimensions



Part No.	R1	B1	D1	H1	H2	H3	L1	L2	*
0821001003	G 1/8	16	4.3	25	21	8.5	40	25	8
0821001002	G 1/4	25	5.5	32	26	9.5	55	38	12

* = depth of thread

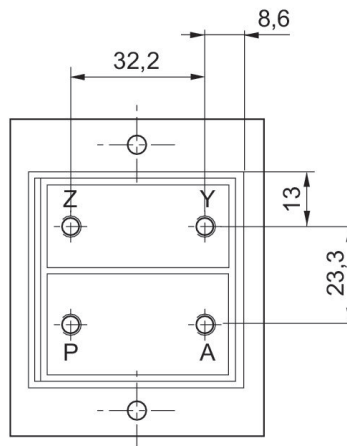
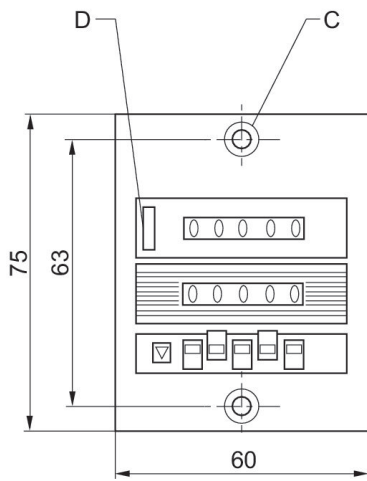
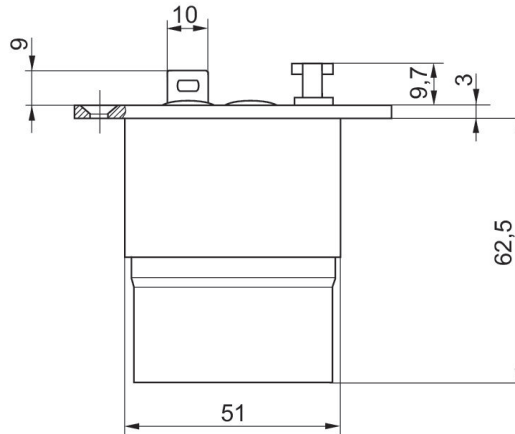
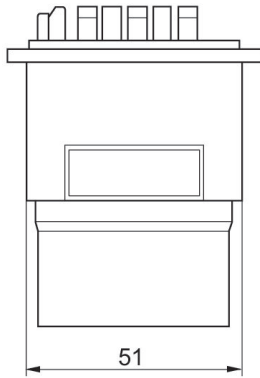
Pneumatic presetting counter (add)

Ambient temperature min./max.: 0 °C ... 60 °C
 Medium temperature min./max.: 0 °C ... 60 °C
 Working pressure min./max.: 2 bar ... 8 bar



	Compressed air connection input	Compressed air connection output	Display	Part No.
	M5	M5	5-digit	0821304008
	Ø 4	Ø 4	5-digit	0821304009

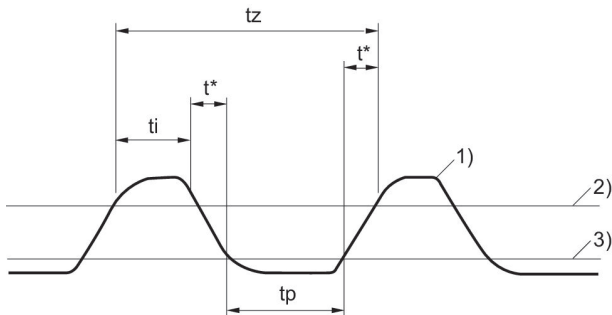
Dimensions



P (1) = compressed air connection
Z = counting signal
Y = return signal
A (2) = output signal
C = countersink DIN 74-Af4 D = reset key

Included in the delivery contents: 2 oval head countersunk screws DIN 966 St M4 x 16 2 spring rings A4 DIN 124 2 hexagonal nuts M4 DIN 934

Counting frequency



1) Counting impulse
2) Response pressure -[[0.8] bar
3) Release pressure -[[0.15] bar
 t_i = min. pulse duration t_p = min. pause duration t_z = time for counting pulse = $t_i + t_p + 2t^*$
 t^* = dependent on pressure and pipe length (values must be determined)

Pneumatic presetting counter (add)

Ambient temperature min./max.: 0 °C ... 60 °C

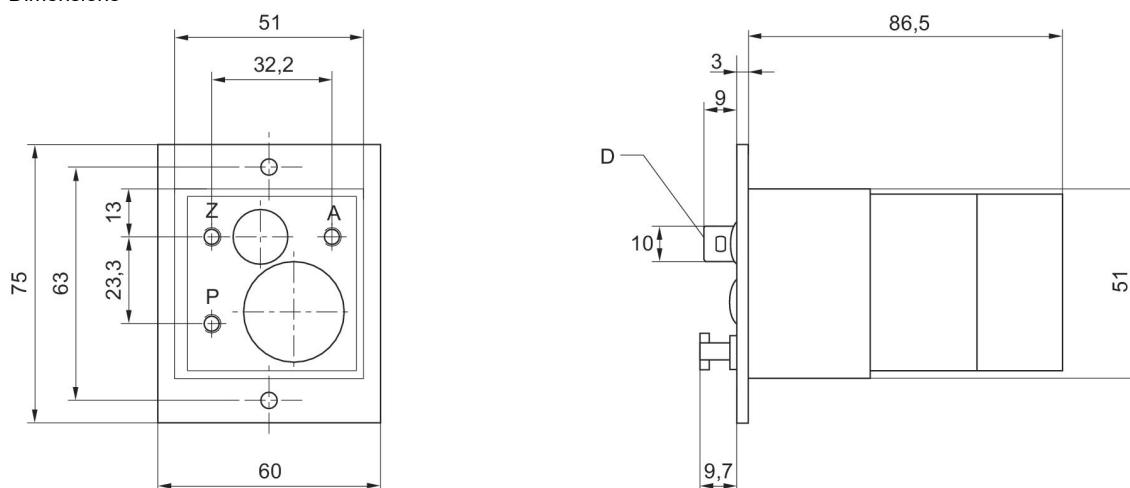
Medium temperature min./max.: 0 °C ... 60 °C

Working pressure min./max.: 2 bar ... 8 bar



	Compressed air connection input	Compressed air connection output	Display	Part No.
	M5	M5	5-digit	0821304016
	Ø 4	Ø 4	5-digit	0821304017

Dimensions



P (1) = compressed air connection

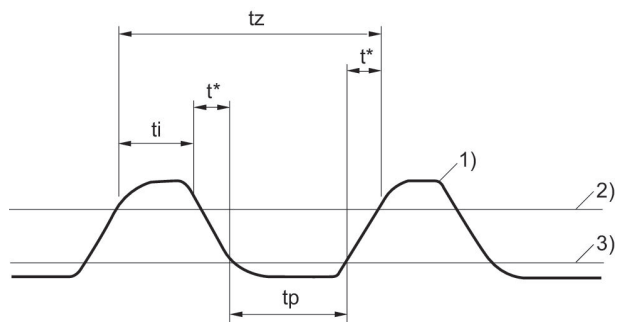
Z = counting signal

A (2) = output signal

D = reset key

Included in the delivery contents: 2 oval head countersunk screws DIN 966 St M4 x 16 2 spring rings A4 DIN 127 2 hexagonal nuts M4 DIN 934

Counting frequency



- 1) Counting impulse
 - 2) Response pressure -[[0.8] bar
 - 3) Release pressure -[[0.15] bar
- t_i = min. pulse duration t_p = min. pause duration t_z = time for counting pulse = $t_i + t_p + 2t^*$ t^* = dependent on pressure and pipe length (values must be determined)

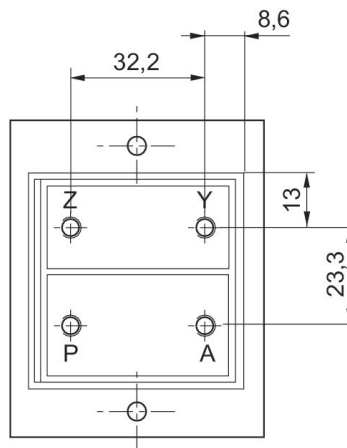
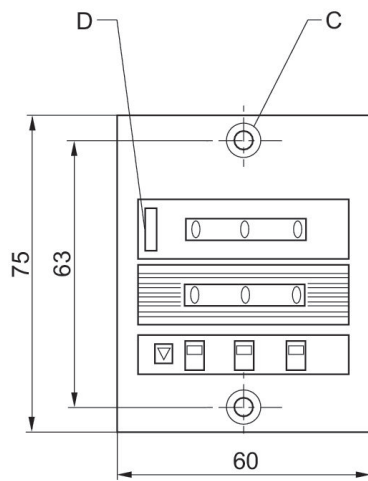
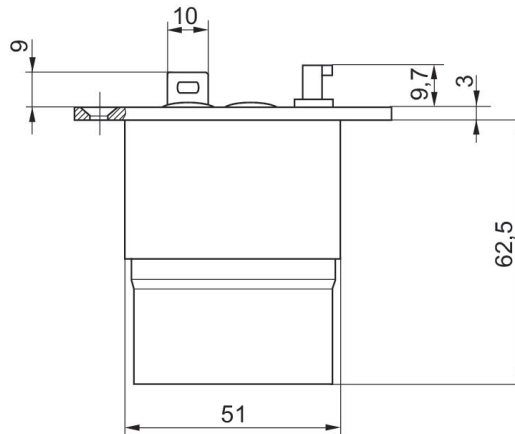
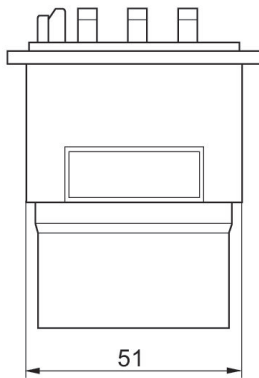
Pneumatic presetting counter (add)

Ambient temperature min./max.: 0 °C ... 60 °C
 Medium temperature min./max.: 0 °C ... 60 °C
 Working pressure min./max.: 2 bar ... 8 bar



	Compressed air connection input	Compressed air connection output	Display	Part No.
	M5	M5	3 digits	0821304014
	Ø 4	Ø 4	3 digits	0821304015

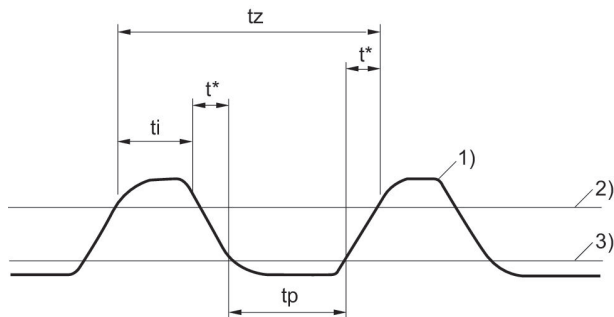
Dimensions



P (1) = compressed air connection
Z = counting signal
Y = return signal
A (2) = output signal
C = countersink DIN 74-Af4 D = reset key

Included in the delivery contents: 2 oval head countersunk screws DIN 966 St M4 x 16 2 spring rings A4 DIN 124 2 hexagonal nuts M4 DIN 934

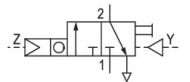
Counting frequency



1) Counting impulse
2) Response pressure -[[0.8] bar
3) Release pressure -[[0.15] bar
 t_i = min. pulse duration t_p = min. pause duration t_z = time for counting pulse = $t_i + t_p + 2t^*$
 t^* = dependent on pressure and pipe length (values must be determined)

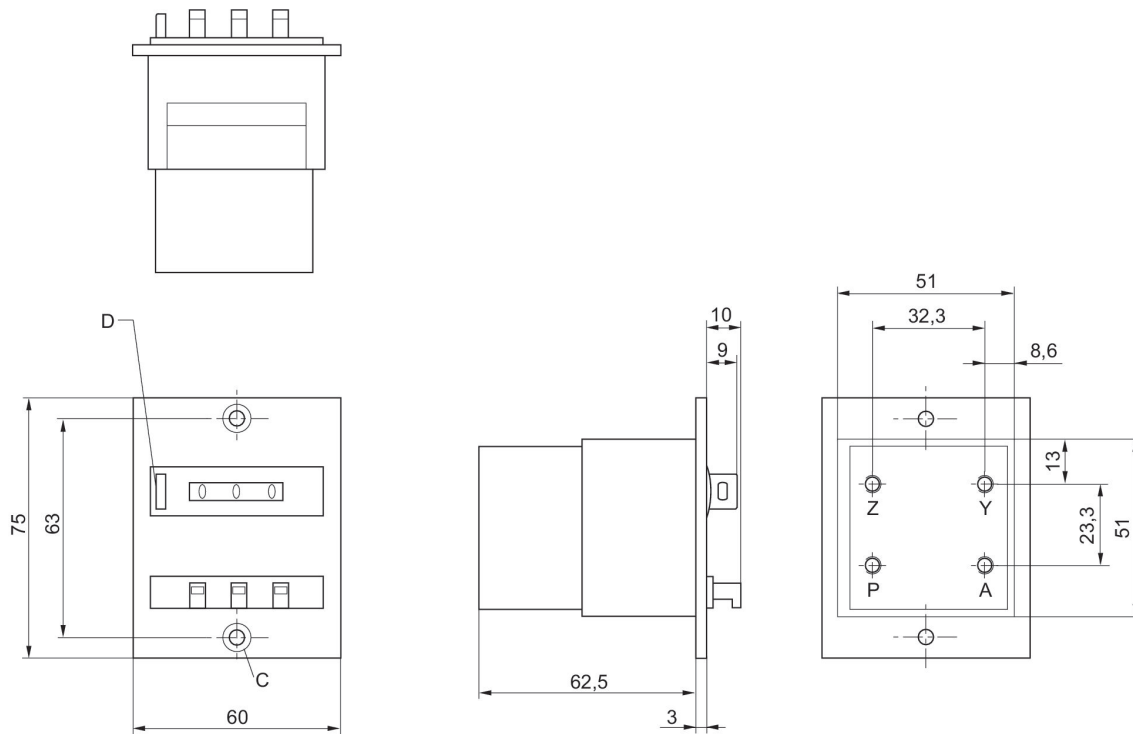
Pneumatic presetting counter (subtracting)

Ambient temperature min./max.: 0 °C ... 60 °C
 Medium temperature min./max.: 0 °C ... 60 °C
 Working pressure min./max.: 2 bar ... 8 bar



Compressed air connection input	Compressed air connection output	Display	Part No.
M5	M5	3 digits	0821304020
Ø 4	Ø 4	3 digits	0821304021

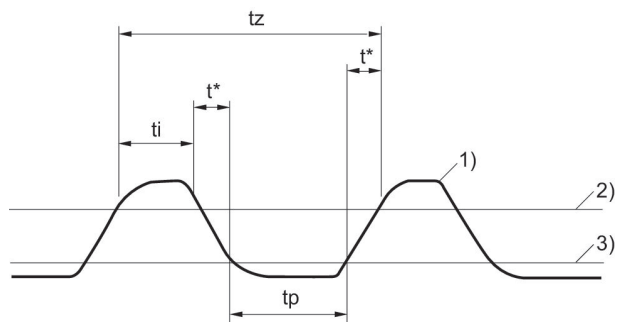
Dimensions



P (1) = compressed air connection
 Z = counting signal
 Y = return signal
 A (2) = output signal
 C = countersink DIN 74-Af4 D = reset key

Included in the delivery contents: 2 oval head countersunk screws DIN 966 St M4 x 16 2 spring rings A4 DIN 124 2 hexagonal nuts M4 DIN 934

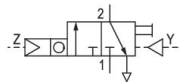
Counting frequency



- 1) Counting impulse
 - 2) Response pressure -[[0.8] bar
 - 3) Release pressure -[[0.15] bar
- t_i = min. pulse duration t_p = min. pause duration t_z = time for counting pulse = $t_i + t_p + 2t^*$ t^* = dependent on pressure and pipe length (values must be determined)

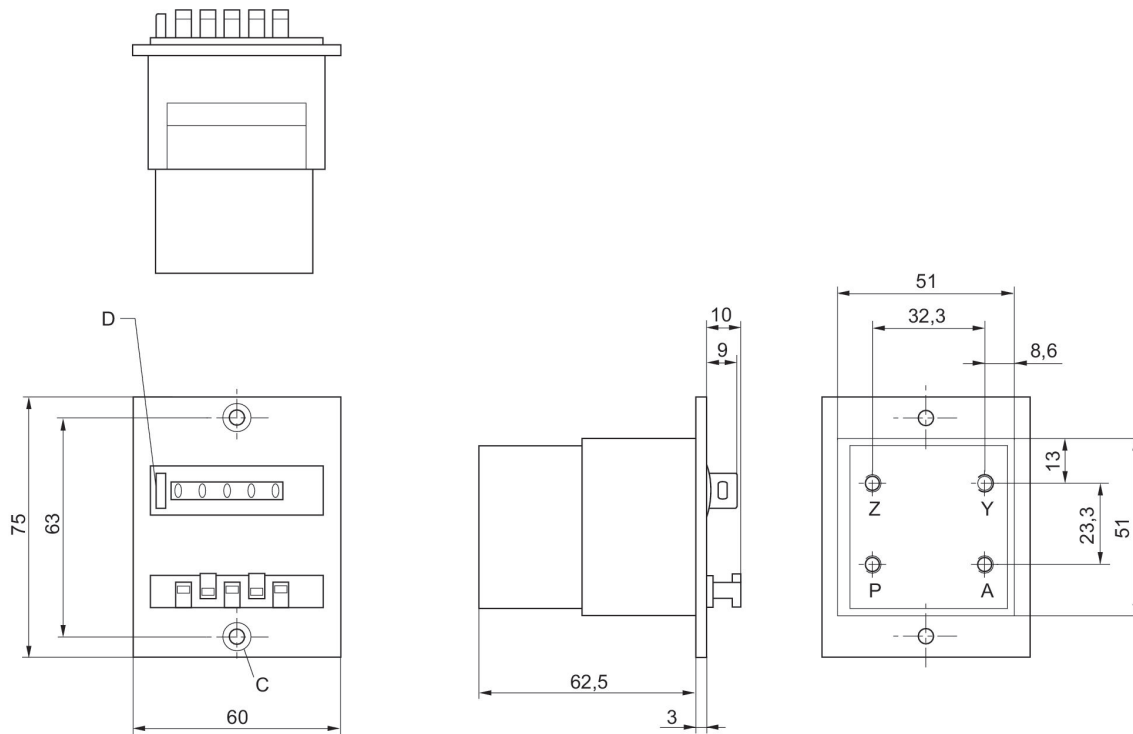
Pneumatic presetting counter (subtracting)

Ambient temperature min./max.: 0 °C ... 60 °C
 Medium temperature min./max.: 0 °C ... 60 °C
 Working pressure min./max.: 2 bar ... 8 bar



Compressed air connection input	Compressed air connection output	Display	Part No.
M5	M5	5-digit	0821304023
Ø 4	Ø 4	5-digit	0821304024

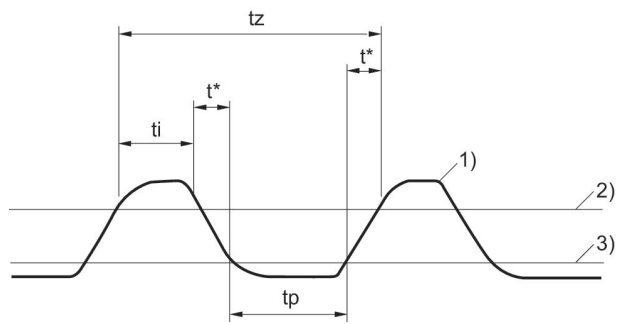
Dimensions



P (1) = compressed air connection
 Z = counting signal
 Y = return signal
 A (2) = output signal
 C = countersink DIN 74-Af4 D = reset key

Included in the delivery contents: 2 oval head countersunk screws DIN 966 St M4 x 16 2 spring rings A4 DIN 124 2 hexagonal nuts M4 DIN 934

Counting frequency



- 1) Counting impulse
 - 2) Response pressure -[[0.8] bar
 - 3) Release pressure -[[0.15] bar
- t_i = min. pulse duration t_p = min. pause duration t_z = time for counting pulse = $t_i + t_p + 2t^*$ t^* = dependent on pressure and pipe length (values must be determined)

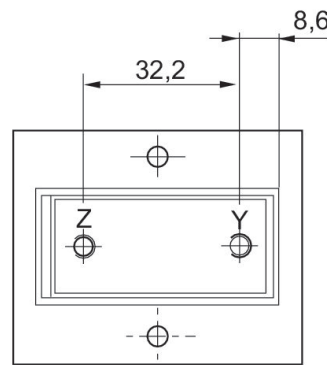
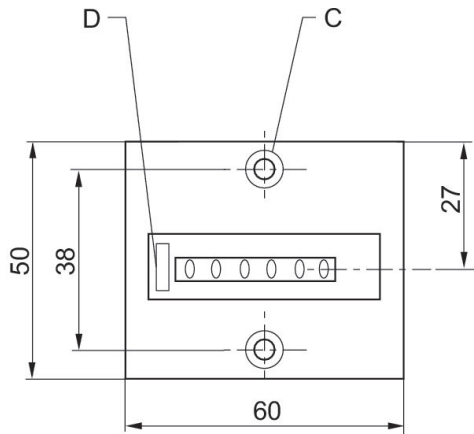
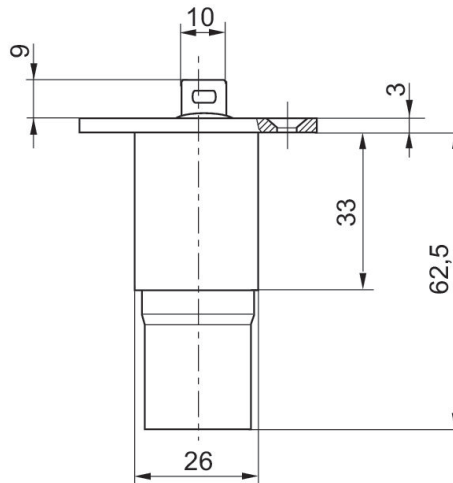
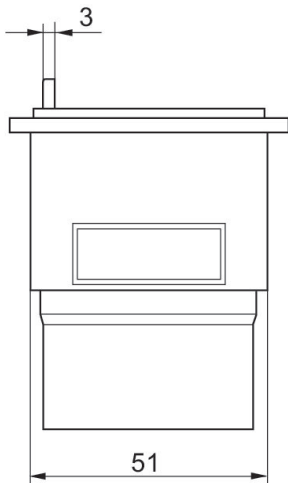
Pneumatic counter

Ambient temperature min./max.: 0 °C ... 60 °C
 Medium temperature min./max.: 0 °C ... 60 °C
 Working pressure min./max.: 2 bar ... 8 bar



Compressed air connection input	Display	Part No.
M5	6 digits	0821304004
Ø 4	6 digits	0821304005

Dimensions



Z = counting signal

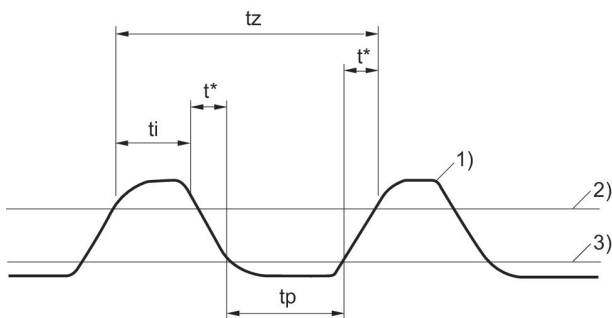
Y = return signal

C = countersink DIN 74-Af4

D = reset key

Included in the delivery contents: 2 oval head countersunk screws DIN 966 St M4 x 16 2 spring rings A4 DIN 127 2 hexagonal nuts M4 DIN 934

Counting frequency



1) Counting impulse

2) Response pressure -[[0.8] bar

3) Release pressure -[[0.15] bar

t_i = min. pulse duration t_p = min. pause duration t_z = time for counting pulse = $t_i + t_p + 2t^*$

t^* = dependent on pressure and pipe length (values must be determined)

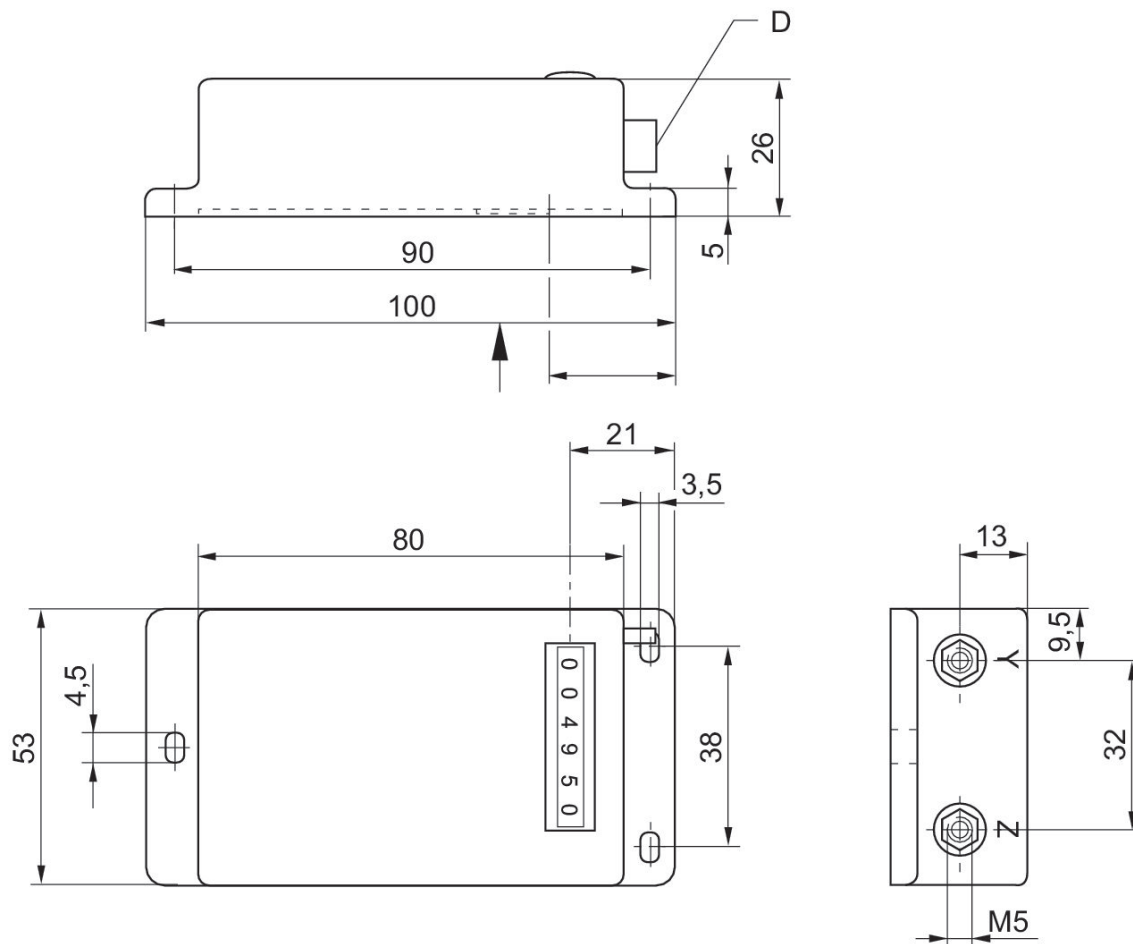
Pneumatic counter

Ambient temperature min./max.: 0 °C ... 60 °C
 Medium temperature min./max.: 0 °C ... 60 °C
 Working pressure min./max.: 2 bar ... 8 bar



Compressed air connection input	Display	Part No.
M5	6 digits	0821304018

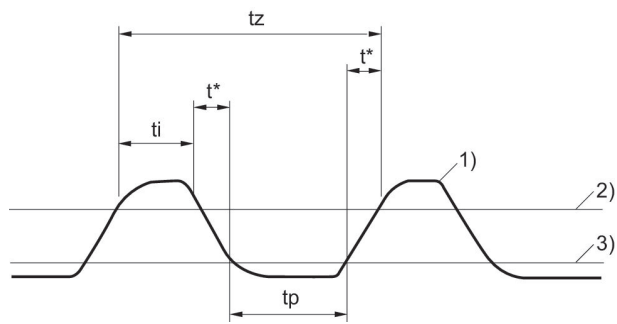
Dimensions



Z = counting signal
 Y = return signal
 D = reset key

Included in the delivery contents: 2 oval head countersunk screws DIN 966 St M4 x 16 2 spring rings A4 DIN 127 2 hexagonal nuts M4 DIN 934

Counting frequency



- 1) Counting impulse
 - 2) Response pressure -[[0.8] bar
 - 3) Release pressure -[[0.15] bar
- t_i = min. pulse duration t_p = min. pause duration t_z = time for counting pulse = $t_i + t_p + 2t^*$
 t^* = dependent on pressure and pipe length (values must be determined)

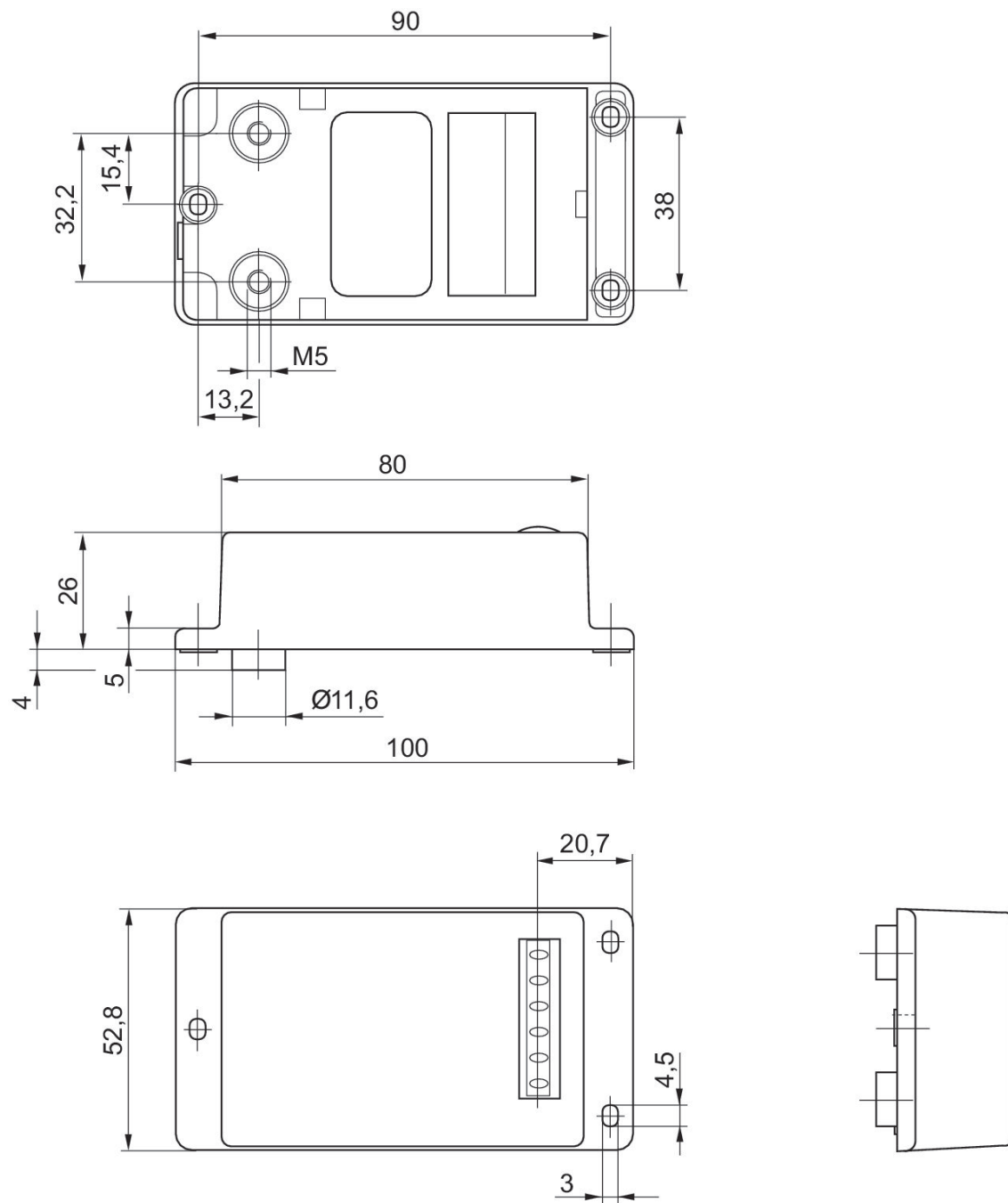
Pneumatic counter

Ambient temperature min./max.: 0 °C ... 60 °C
 Medium temperature min./max.: 0 °C ... 60 °C
 Working pressure min./max.: 2 bar ... 8 bar



Compressed air connection input	Display	Part No.
M5	6 digits	0821304019

Dimensions

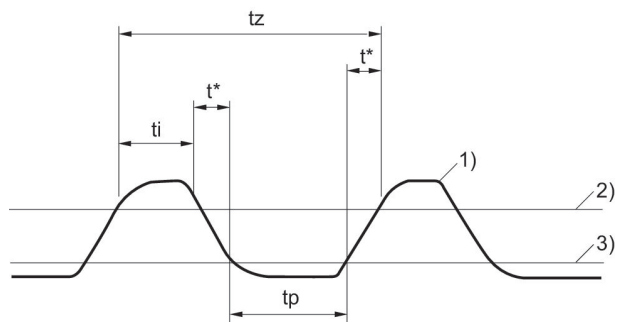


Z = counting signal

Y = return signal

Included in the delivery contents: 2 oval head countersunk screws DIN 966 St M4 x 16 2 spring rings A4 DIN 127 2 hexagonal nuts M4 DIN 934

Counting frequency



- 1) Counting impulse
 - 2) Response pressure -[[0.8] bar
 - 3) Release pressure -[[0.15] bar
- ti = min. pulse duration tp = min. pause duration tz = time for counting pulse = ti + tp + 2t* t* = dependent on pressure and pipe length (values must be determined)

Pneumatic pulse generator

Flow: 50 l/min

Compressed air connection: M5

Ambient temperature min./max.: 0 °C ... 60 °C

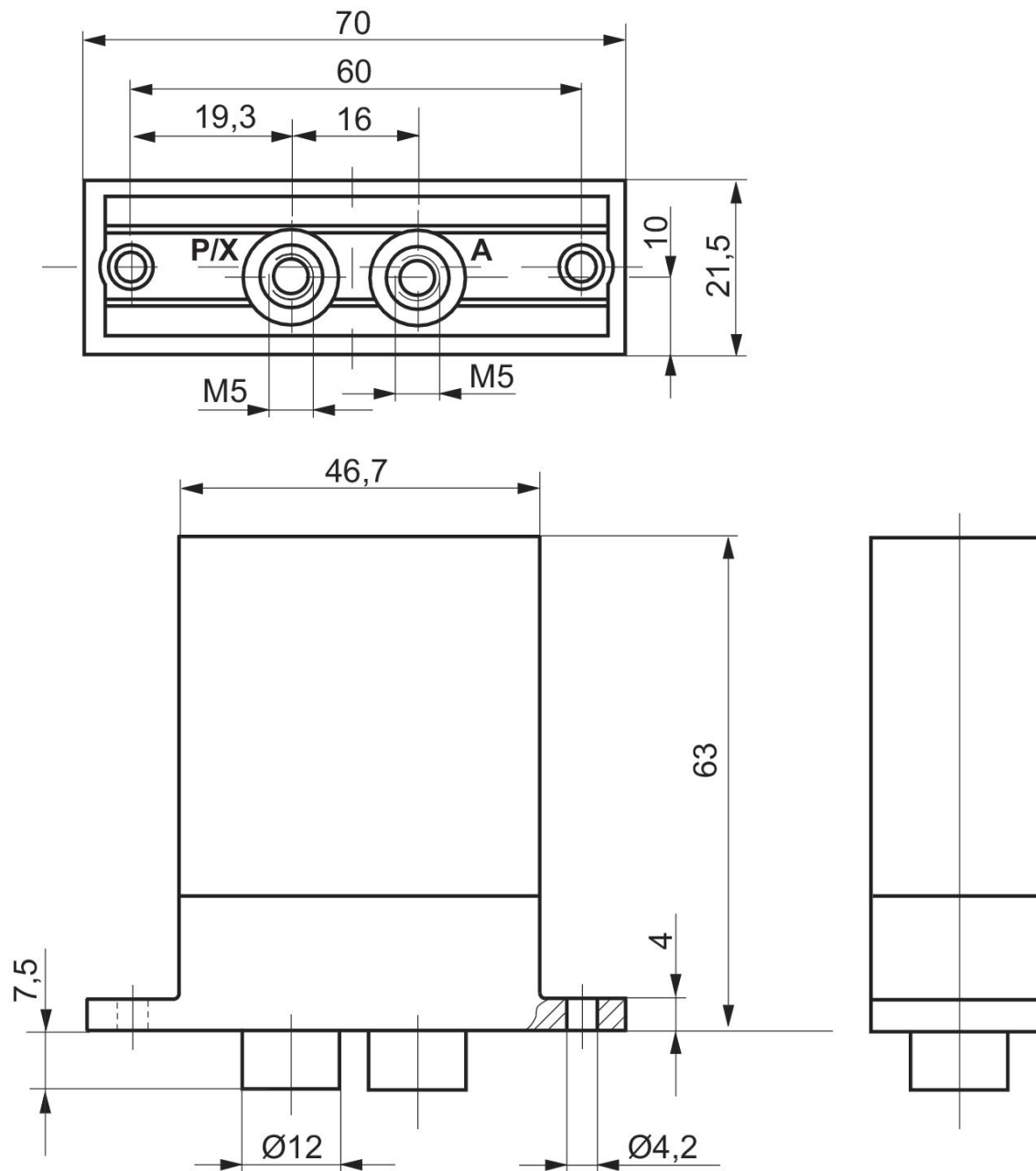
Medium temperature min./max.: 0 °C ... 60 °C

Working pressure min./max.: 2 bar ... 6 bar



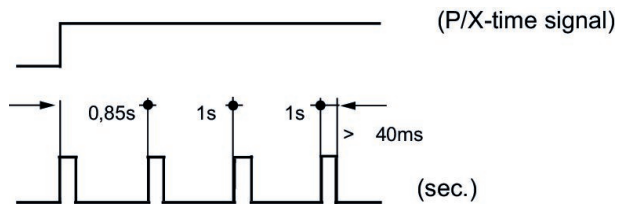
	Compressed air connection input	Flow Qn [l/min]	Part No.
	M5	50	0820215115

Dimensions



P/X = Input
A = connection output

Function sequence



P/X time signal = P/X time signal

sec. = pulse duration 1 second

When air is supplied to the P/X inlet, the pulse generator starts up and starts sending one compressed air pulse per second or per minute.

3/2-directional valve, Series 551

Activation: Pneumatically operated

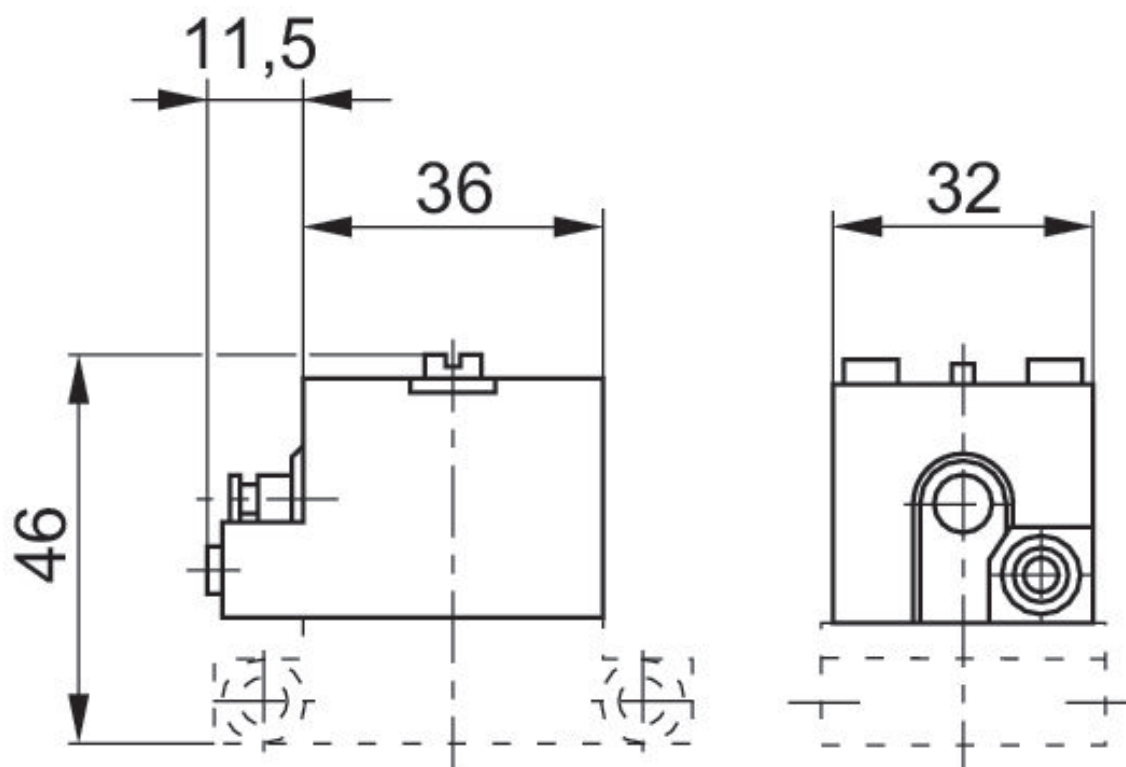
Ambient temperature min./max.: -20 °C ... 70 °C

Medium temperature min./max.: -20 °C ... 70 °C



	Switching principle	Min. control pressure [bar]	Max. control pressure [bar]	Flow Qn [l/min]	Part No.
	3/2, double air pilot	2	10	120	551020000

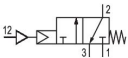
Dimensions



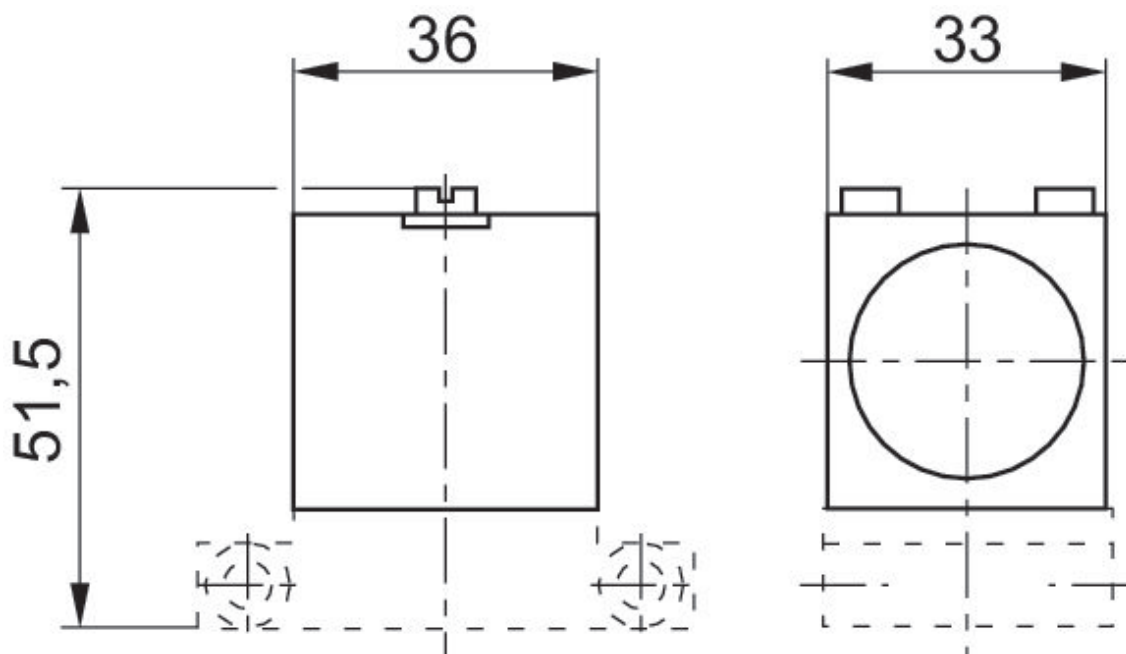
3/2-directional valve, Series 551

Activation: Pneumatically
 Ambient temperature min./max.: -20 °C ... 70 °C
 Medium temperature min./max.: -20 °C ... 70 °C



	Switching principle	Min. control pressure [bar]	Max. control pressure [bar]	Flow Qn [l/min]	Part No.
	3/2, with spring return	0.01	0.5	2	5510120000

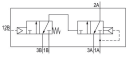
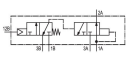
Dimensions



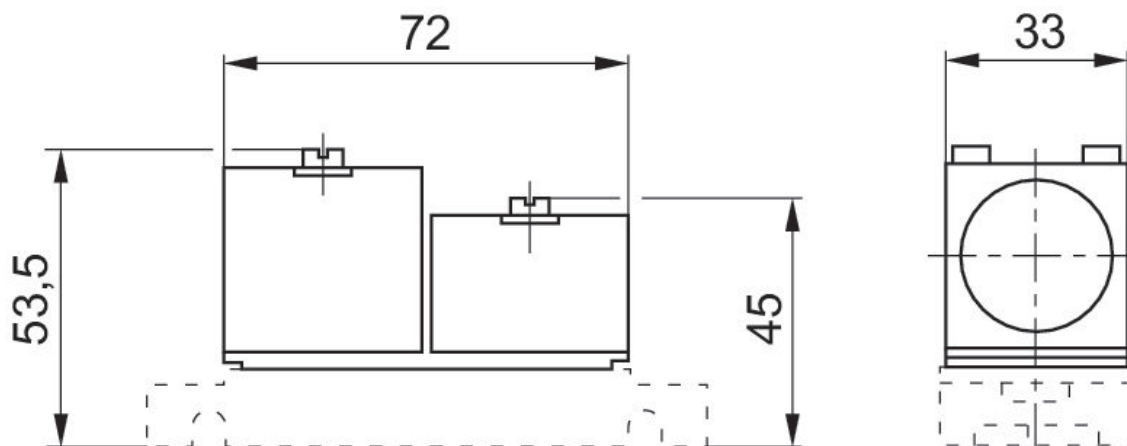
3/2-directional valve, Series 551

Activation: Pneumatically
Ambient temperature min./max.: -20 °C ... 70 °C
Medium temperature min./max.: -20 °C ... 70 °C



	Version	Logic function	Min. control pressure [bar]	Max. control pressure [bar]	Flow Qn [l/min]	Part No.
	NC	YES	0.01	0.5	120	5510120100
	NO	NOT (NO)	0.01	0.5	120	5510121100

Dimensions

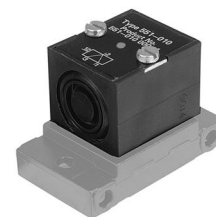


3/2-directional valve, Series 551

Ambient temperature min./max.: -20 °C ... 70 °C

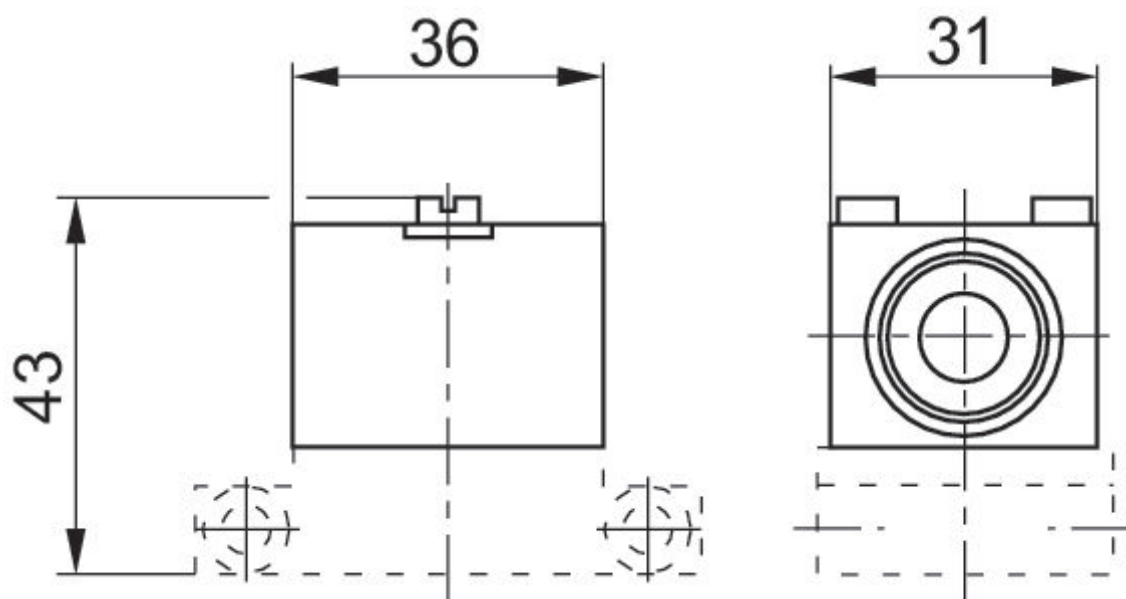
Medium temperature min./max.: -20 °C ... 70 °C

Working pressure min./max.: 1 bar ... 10 bar



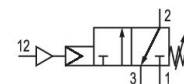
	Version	Logic function	Min. control pressure [bar]	Max. control pressure [bar]	Flow Qn [l/min]	Part No.
	NC	YES	3.2	10	120	5510100000
	NO	NOT (NO)	3.2	10	120	5511100000
		AND			120	5510140000
		Shuttle valves (OR)			120	5510150000

Dimensions



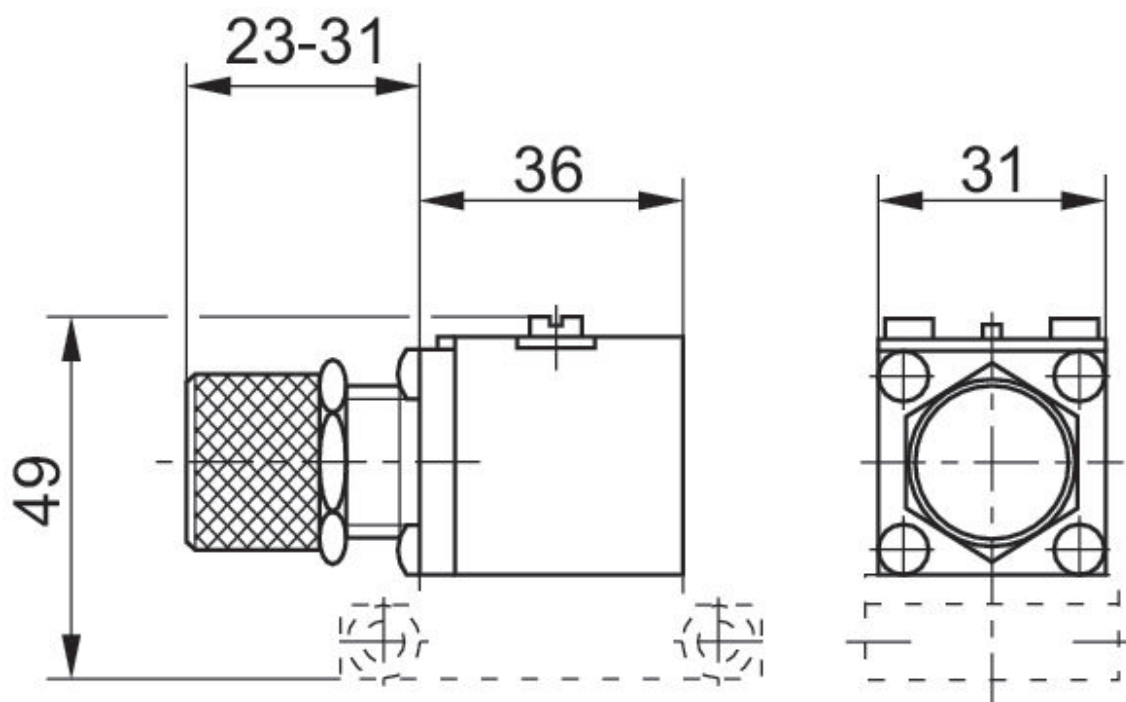
Pressure Switches

Ambient temperature min./max.: -20 °C ... 70 °C
Medium temperature min./max.: -20 °C ... 70 °C



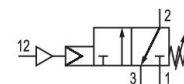
Min. control pressure [bar]	Max. control pressure [bar]	Flow Qn [l/min]	Part No.
0.6	10	30	5510160000

Dimensions



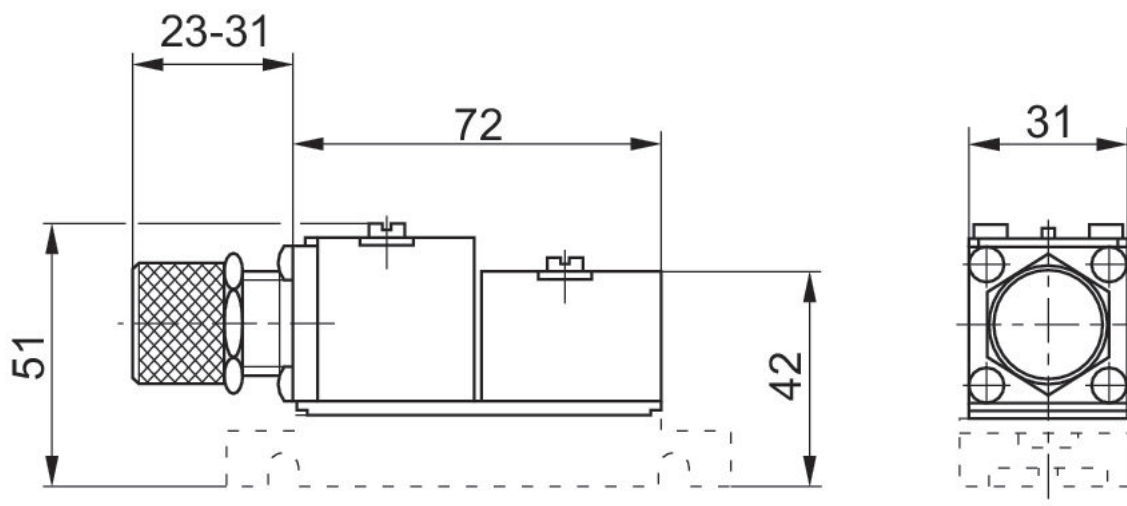
Pressure Switches, Logic function

Ambient temperature min./max.: -20 °C ... 70 °C
Medium temperature min./max.: -20 °C ... 70 °C



	Version	Logic function	Min. control pressure [bar]	Max. control pressure [bar]	Flow Qn [l/min]	Part No.
	NC	YES	0.6	10	120	5510160100
	NO	NOT (NO)	0.6	10	120	5510161100

Dimensions



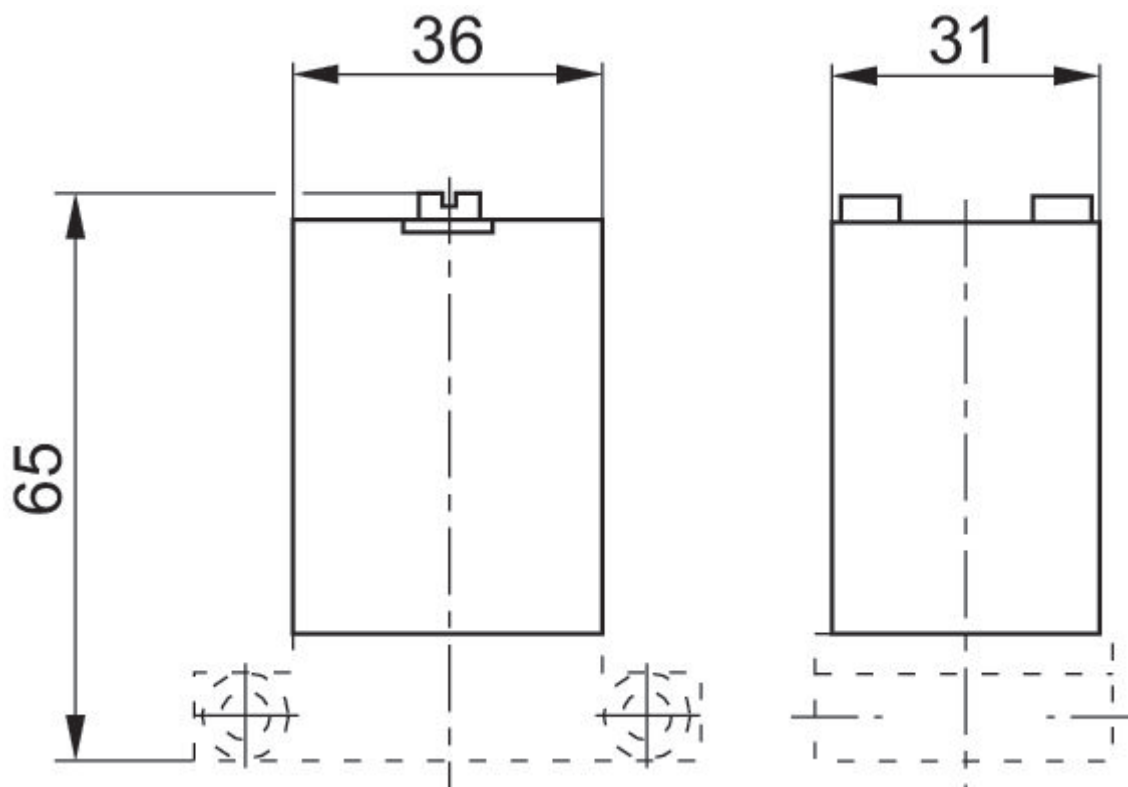
Air reservoir

Filter reservoir volume: 18 cm³
 Ambient temperature min./max.: -20 °C ... 70 °C
 Medium temperature min./max.: -20 °C ... 70 °C
 Working pressure min./max.: 0 bar ... 10 bar



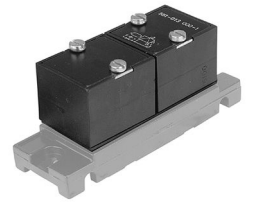
	Filter reservoir volume [cm ³]	Part No.
	18	5510030000

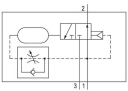
Dimensions



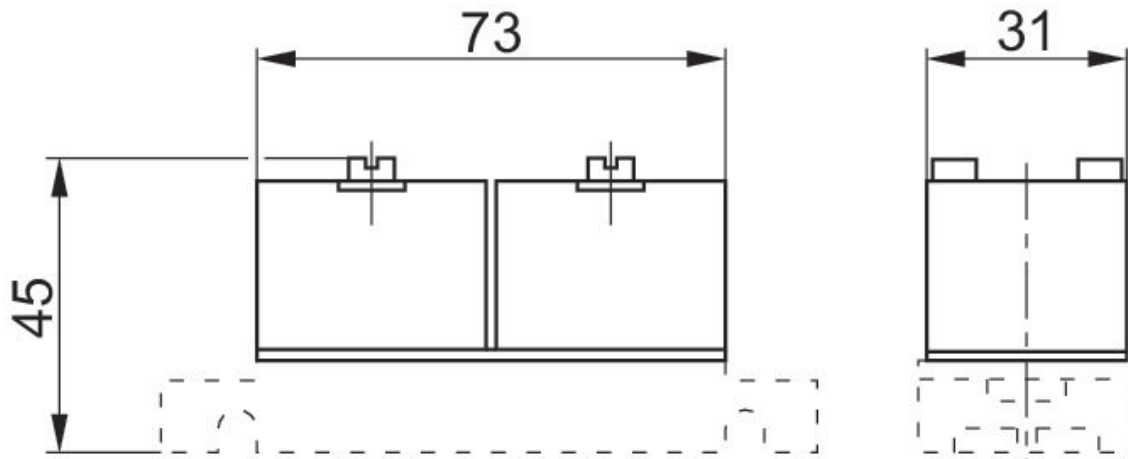
Signal interrupter

Ambient temperature min./max.: -20 °C ... 70 °C
Medium temperature min./max.: -20 °C ... 70 °C



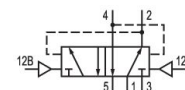
	Flow Qn [l/min]	Part No.
	120	5510130000

Dimensions



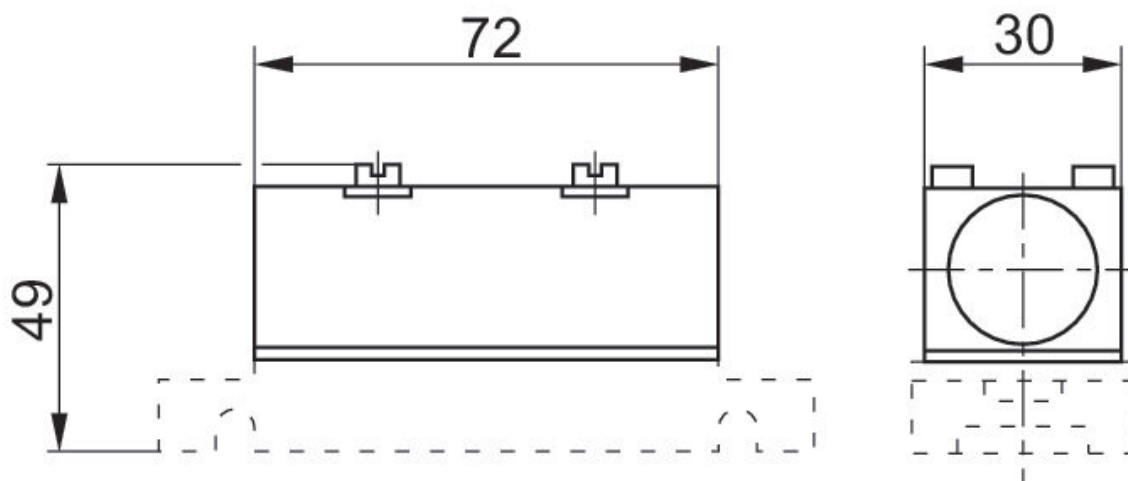
Counter

Ambient temperature min./max.: -20 °C ... 70 °C
Medium temperature min./max.: -20 °C ... 70 °C



Min. control pressure [bar]	Max. control pressure [bar]	Flow Qn [l/min]	Part No.
2	10	120	5510240000

Dimensions



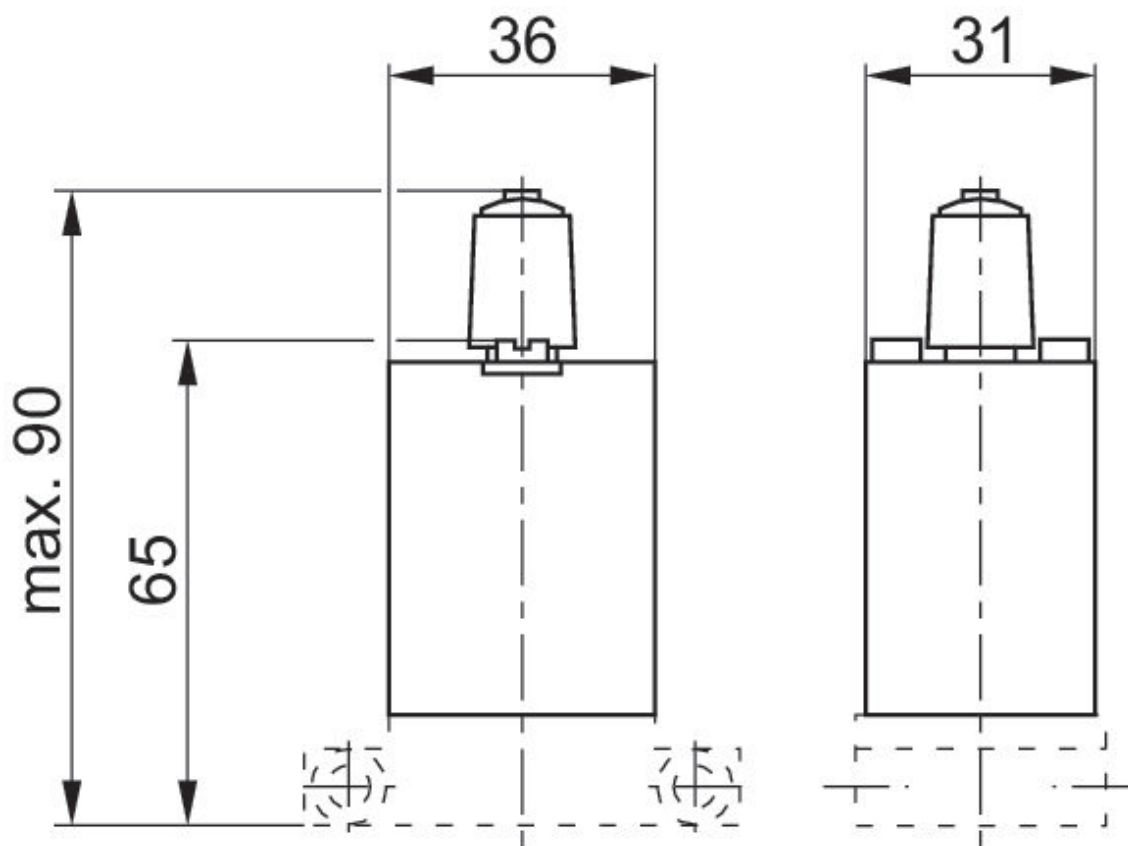
Pneumatic timer

Ambient temperature min./max.: -20 °C ... 70 °C
Medium temperature min./max.: -20 °C ... 70 °C



	Logic function	Part No.
		5510250000
	closing delay	5510260000

Dimensions



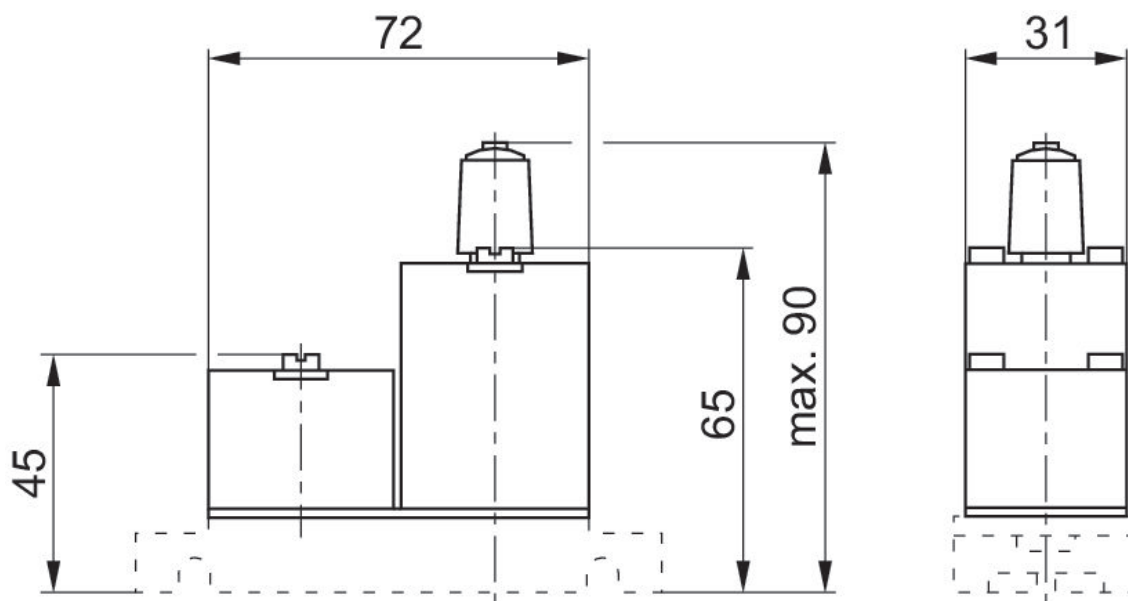
Pneumatic timer

Ambient temperature min./max.: -20 °C ... 70 °C
Medium temperature min./max.: -20 °C ... 70 °C



	Version	Logic function	Min. control pressure [bar]	Max. control pressure [bar]	Flow Qn [l/min]	Part No.
	NC	YES	1.05	7	120	5510250100
	NO	NOT (NO)	1.05	7	120	5510251100
	NC	YES	1.05	7	120	5510260100
	NO	NOT (NO)	1.05	7	120	5510261100

Dimensions

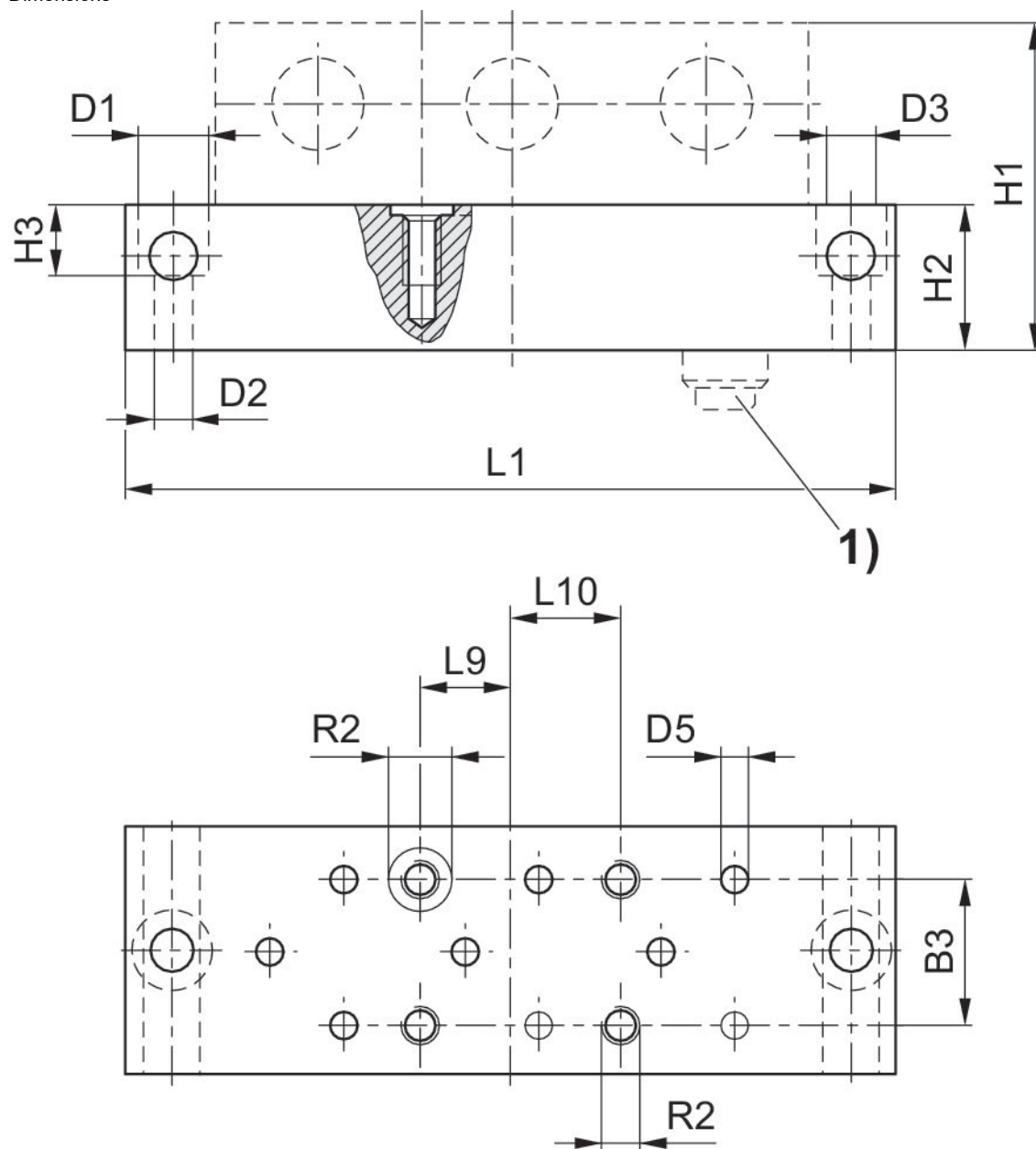


Single subbase, Logic valves



Fig.	Part No.
Fig. 1	1825503069
Fig. 2	1825503070
Fig. 3	1825503093

Dimensions

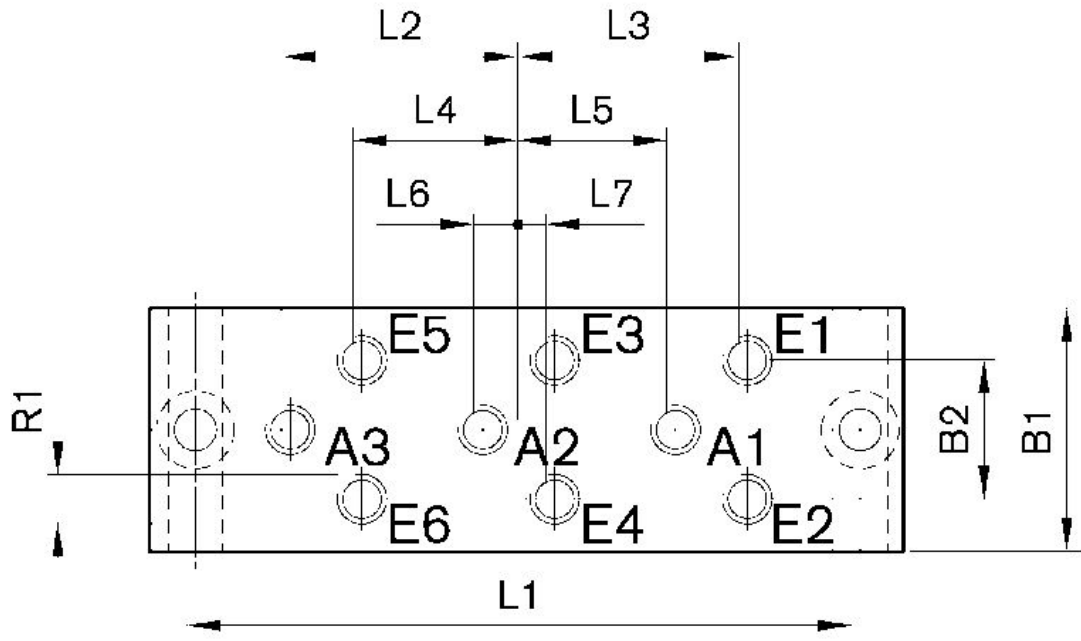


1) only for version with push-in fitting

Part No.	R2	D1	D2	D3	D4	D5	H1	H2	H3
1825503069	M4	8	4.5	5.3	6.2	2.5	34	15	7.2
1825503070	M4	8	4.5	5.3	6.2	2.5	34	15	7.2
1825503093	M4	8	4.5	5.3	6.2	2.5	34	15	7.2

Part No.	L9	L10	B3
1825503069	9.5	11	15
1825503070	9.5	11	15
1825503093	9.5	11	15

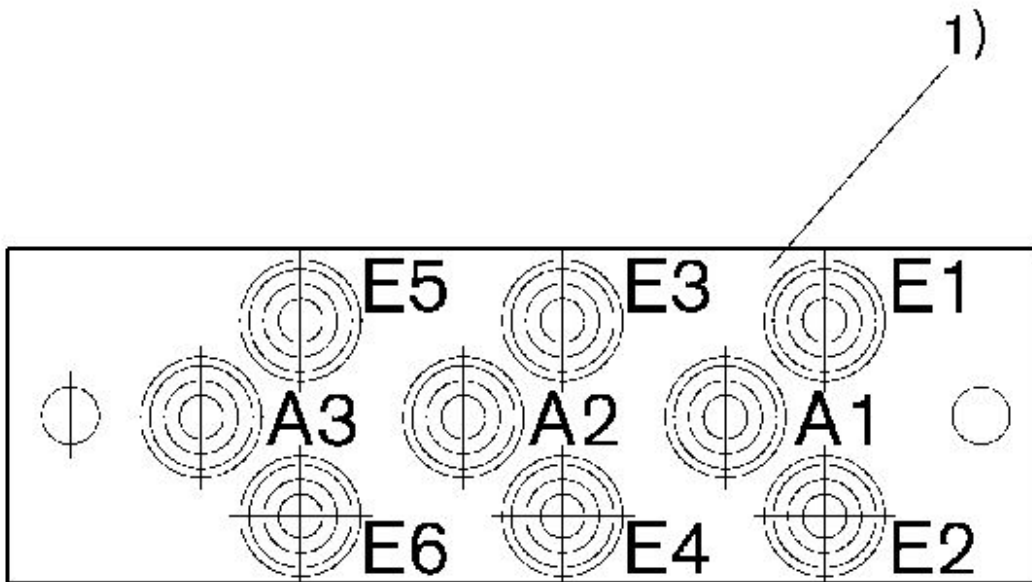
Fig.1: Subbase M5



Part No.	R1	L1	L2	L3	L4	L5	L6	L7	B1
1825503069	M5	80	25	22.5	17.5	15	5	2.5	26.5

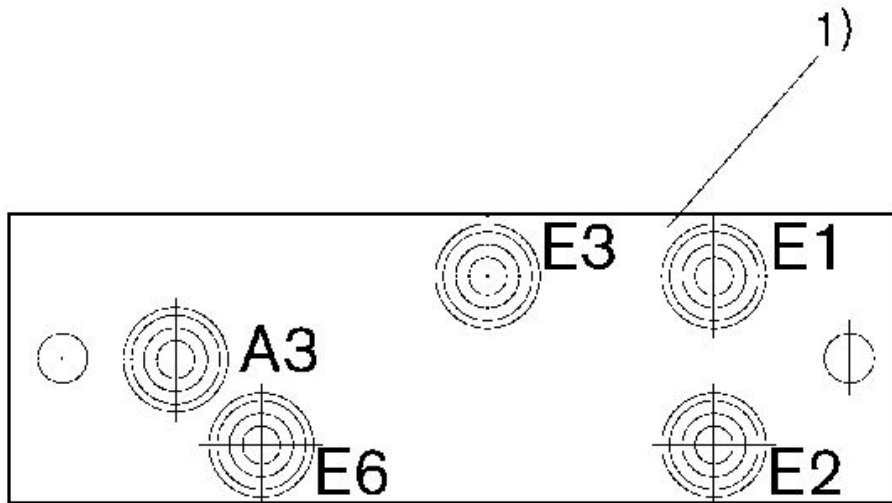
Part No.	B2
1825503069	15

Fig. 2: subbase with push-in fitting



1) 4x slotted screw DIN 84-84-4.8 - M4 x 22

Fig. 3: subbase with push-in fitting

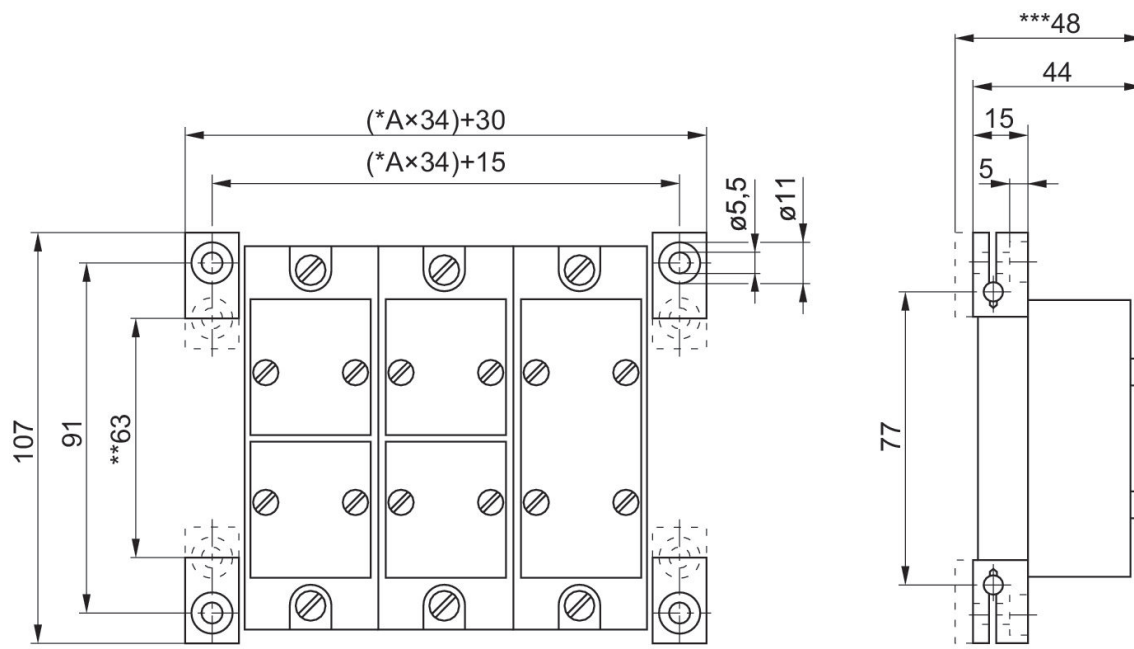


1) 4x slotted screw DIN 84-84-4.8 - M4 x 22

Mounting kit

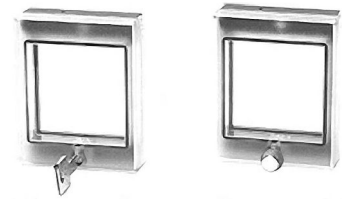
AVENTICS™

Max. number of valve positions	Part No.
2	5514400020
3	5514400030
4	5514400040
5	5514400050
6	5514400060
7	5514400070
8	5514400080
9	5514400090
10	5514400100



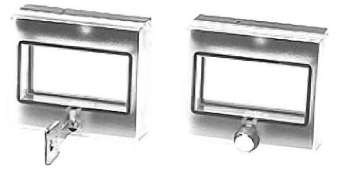
* A = No. of subbases. ** With the mounting holes turned inwards. *** With the mountings turned 180°.

Protective cover, Logic valves



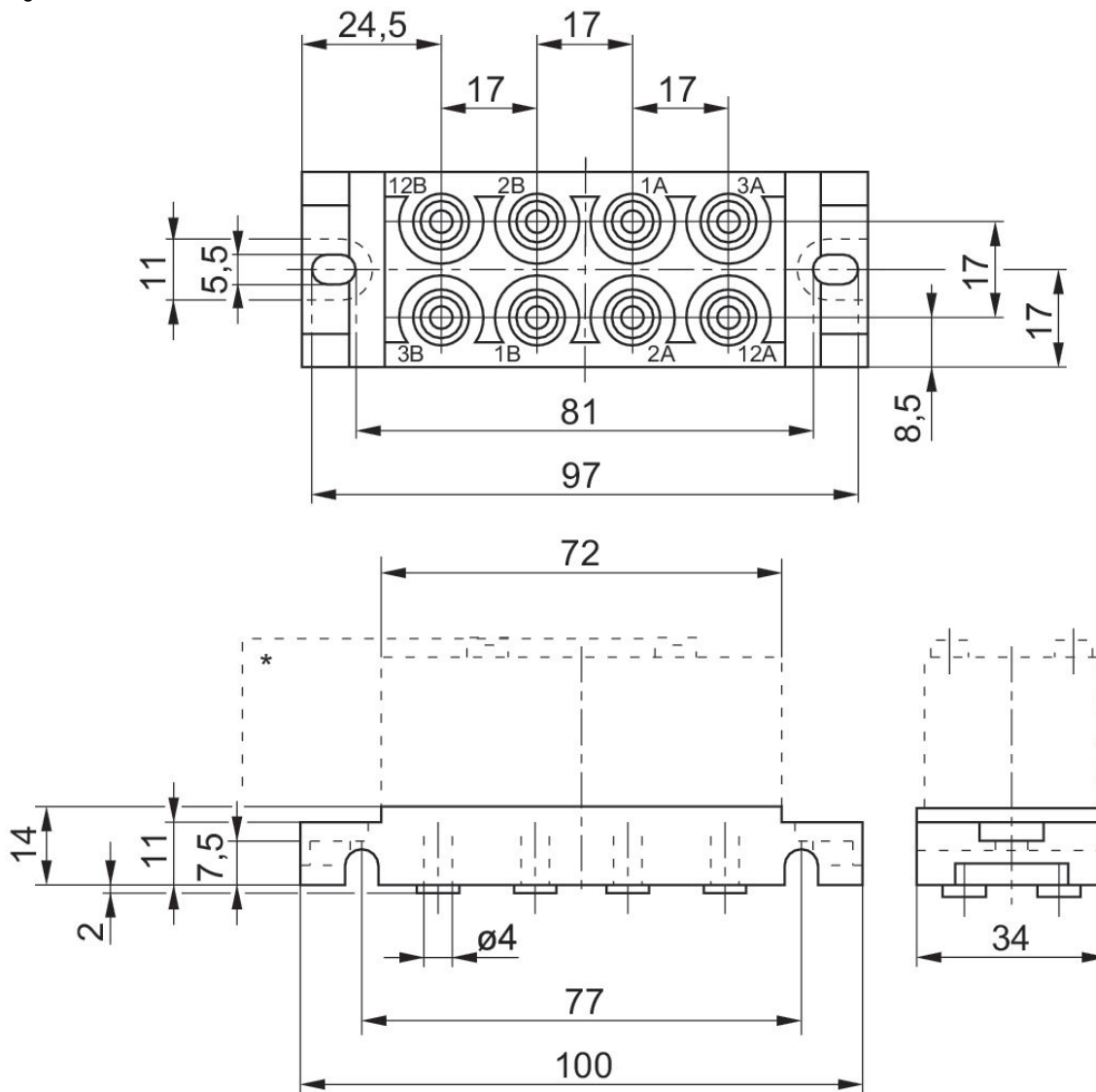
Type	Weight [kg]	Part No.
Protective cover, for pneumatic timers 0 820 215 11	0.047	1823317008
Protective cover, for pneumatic presetting counter 0 821 304 0...	0.047	1823317009

Protective cover, Logic valves



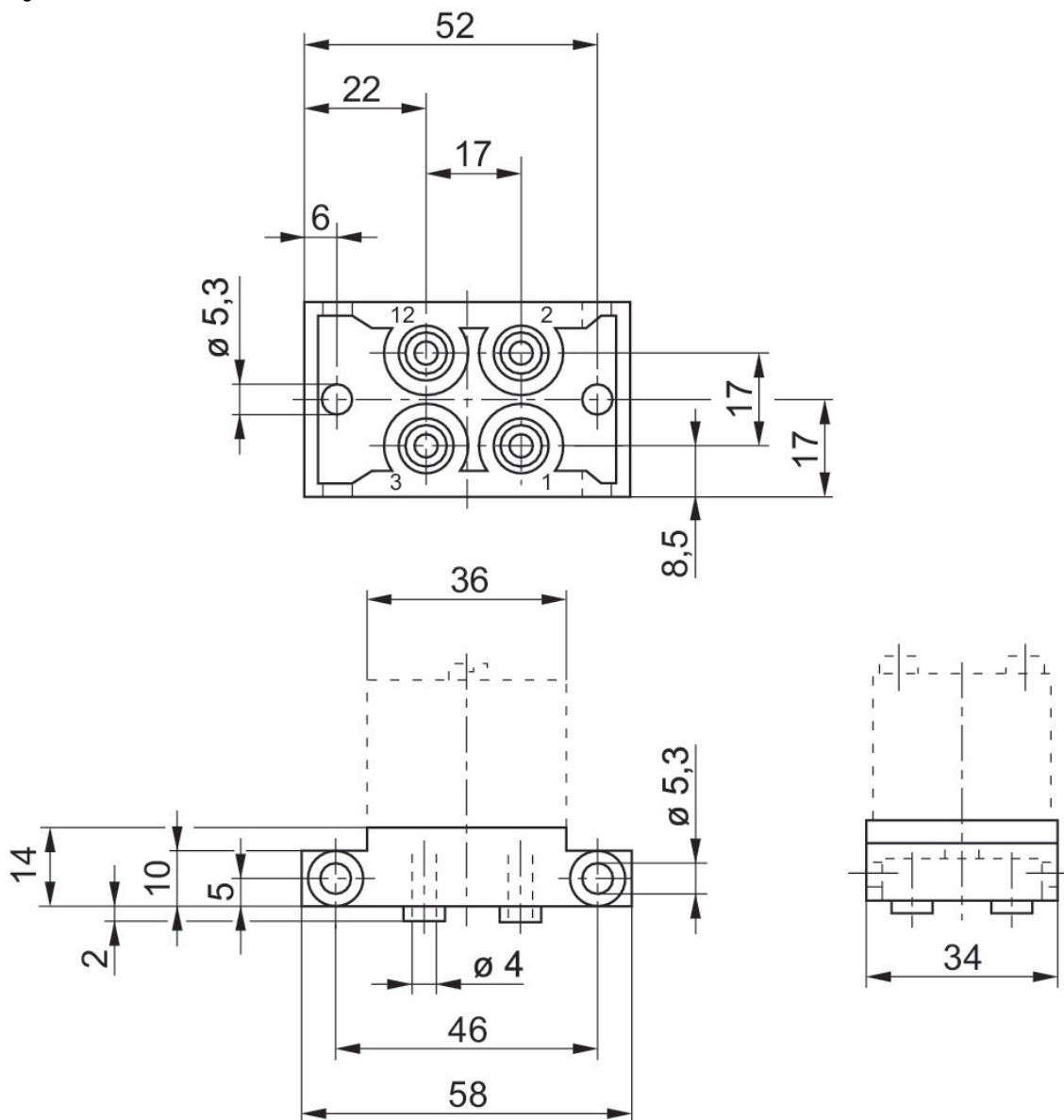
Type	Weight [kg]	Part No.
for pneumatic counter 0 821 304 00., with key-lock	0.042	1823317006

Fig. 2



* alternative valve

Fig. 2







* alternative valve

Efficient pneumatic solutions, our program:
cylinders and drives, valves and valve systems,
air supply management, proportional pressure
control valves



Visit us: www.Emerson.com/aventics
Your local contact: Emerson.com/contactus

-  Emerson.com
-  Facebook.com/EmersonAutomationSolutions
-  LinkedIn.com/company/Emerson-Automation-Solutions
-  Twitter.com/EMR_Automation



The Emerson logo is a trademark and service mark of Emerson Electric Co. AVENTICS is a registered trademark of one of the Emerson family of companies. All other trademarks are the property of their respective owners. © 2020 Emerson Electric Co. All rights reserved.



CONSIDER IT SOLVED™