

Series NR01



Series NR01

AVENTICS Series NR01, thanks to an array of connection options, the NR non-return valves can be screwed in separately and are also suitable for direct installation in piping.

- $Q_n = 40 \text{ l/min} \dots 7950 \text{ l/min}$



## Product overview

### Non-return valve

	Page
Non-return valve, Series NR01..... thread-in - External thread	4
Non-return valve, Series NR01..... thread-in - Heat resistant - External thread	6
Non-return valve, Series NR01..... thread-in - External thread	8
Non-return valve, Series NR01..... Push-in fitting	10
Non-return valve, Series NR01.....	12
Non-return valve, Series NR01..... installing in piping - Internal thread	14

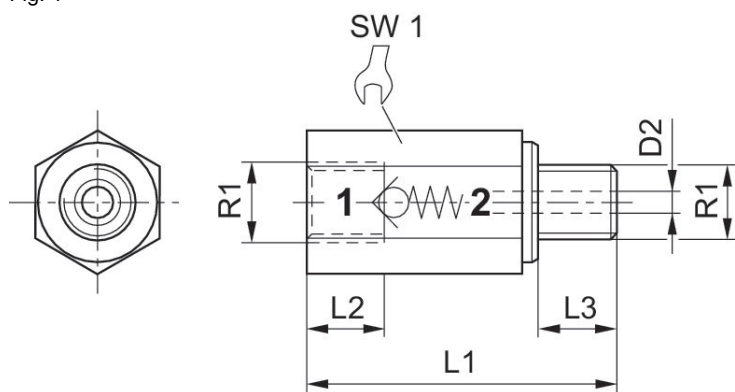
**Non-return valve, Series NR01**

Compressed air connection type: Internal thread  
 Compressed air connection type 2: External thread  
 Ambient temperature min./max.: -10 °C ... 70 °C  
 Medium temperature min./max.: -10 °C ... 70 °C  
 Working pressure min./max.: 0.2 bar ... 10 bar



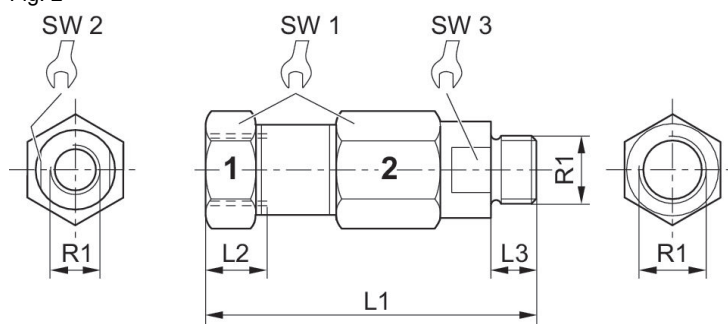
Compressed air connection 1	Compressed air connection 2	Nominal flow Q <sub>n</sub> 1 to 2 [l/min]	Housing material	Fig.	Part No.
M5	M5	40	Brass	Fig. 1	0821003005
G 1/8	G 1/8	920	Brass	Fig. 2	0821003001
G 1/4	G 1/4	1600	Brass	Fig. 2	0821003002
G 1/2	G 1/2	3500	Brass	Fig. 2	0821003003

Fig. 1



	R1	L1	L2	L3	D2	SW1
0821003005	M5	20	5	5	2	8

Fig. 2



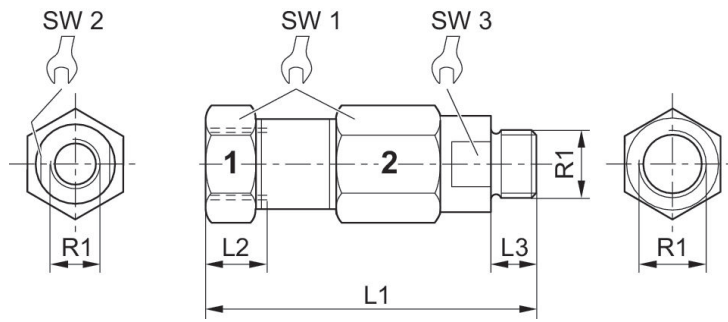
	R1	L1	L2	L3	SW1	SW2	SW3
0821003001	G 1/8	53	8	6	-	14	14
0821003002	G 1/4	66	12	9	19	-	17
0821003003	G 1/2	81	21	12	27	-	24

### Non-return valve, Series NR01

Compressed air connection type: Internal thread  
 Compressed air connection type 2: External thread  
 Ambient temperature min./max.: 0 °C ... 150 °C  
 Medium temperature min./max.: 0 °C ... 150 °C  
 Working pressure min./max.: 0.2 bar ... 10 bar



Compressed air connection 1	Compressed air connection 2	Nominal flow Qn 1 to 2 [l/min]	Housing material	Part No.
G 1/8	G 1/8	920	Brass	0821003004
G 1/4	G 1/4	1600	Brass	0821003017
G 1/2	G 1/2	3500	Brass	0821003018



## Dimensions

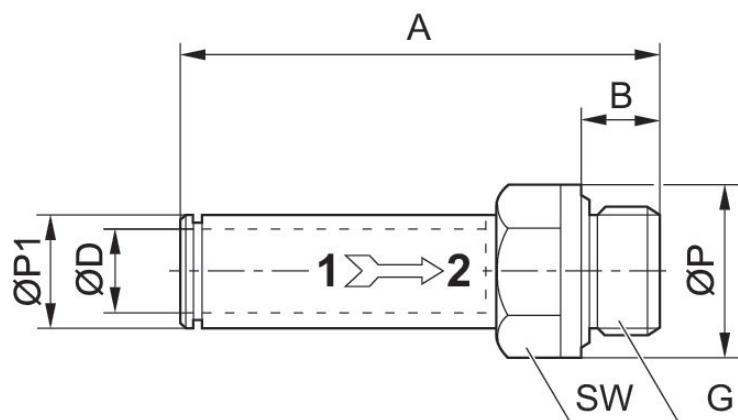
	R1	L1	L2	L3	SW1	SW2	SW3
0821003004	G 1/8	53	8	6	-	14	14
0821003017	G 1/4	66	12	9	19	-	17
0821003018	G 1/2	81	21	12	27	-	24

**Non-return valve, Series NR01**

Compressed air connection type: Push-in fitting  
 Compressed air connection type 2: External thread  
 Ambient temperature min./max.: -10 °C ... 70 °C  
 Medium temperature min./max.: -10 °C ... 70 °C  
 Working pressure min./max.: 0.2 bar ... 10 bar



Compressed air connection 1	Compressed air connection 2	Nominal flow Q <sub>n</sub> 1 to 2 [l/min]	Housing material	Part No.
Ø 4	M5	190	Brass	1823373103
Ø 4	G 1/8	250	Brass	1823373104
Ø 6	G 1/8	530	Brass	1823373105
Ø 6	G 1/4	530	Brass	1823373106
Ø 8	G 1/8	810	Brass	1823373107
Ø 8	G 1/4	950	Brass	1823373108
Ø 12	G 1/2	4300	Brass	1823373111
Ø 14	G 1/2	5100	Brass	1823373112



	G	Ø D	A	B	Ø P	Ø P1	SW
1823373103	M5	4	35	4	9	8	9
1823373104	G 1/8	4	28.5	6	10	13	11
1823373105	G 1/8	6	35	6	12	13	13
1823373107	G 1/8	8	36	6	14	13	15
1823373106	G 1/4	6	37	8	12	16	14
1823373108	G 1/4	8	37	8	14	16	16
1823373111	G 1/2	12	44	10	19	25	22
1823373112	G 1/2	14	50.5	-	22	25	25

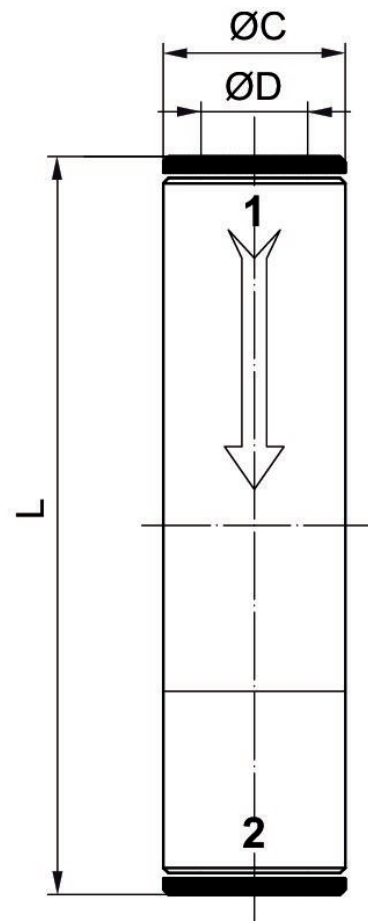
### Non-return valve, Series NR01

Compressed air connection type: Push-in fitting  
 Compressed air connection type 2: Push-in fitting  
 Ambient temperature min./max.: -20 °C ... 70 °C  
 Medium temperature min./max.: -20 °C ... 70 °C  
 Working pressure min./max.: 0.2 bar ... 10 bar



Compressed air connection 1	Compressed air connection 2	Nominal flow Q <sub>n</sub> 1 to 2 [l/min]	Housing material	Part No.
Ø 4	Ø 4	195	Brass	0821003020
Ø 6	Ø 6	495	Brass	0821003021
Ø 8	Ø 8	975	Brass	0821003022

Dimensions



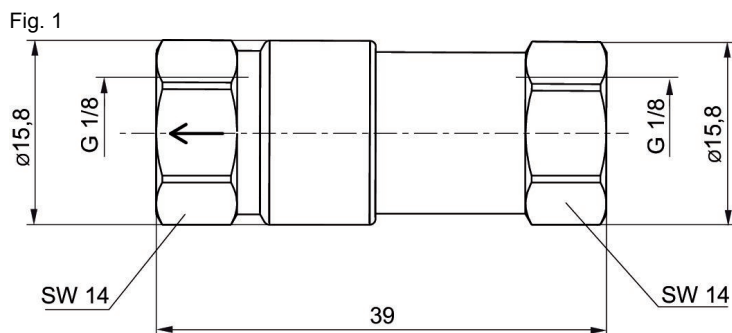
	$\text{ØD}$	$\text{ØC}$	L
0821003020	4	9	44.5
0821003021	6	11	50
0821003022	8	13	53.5

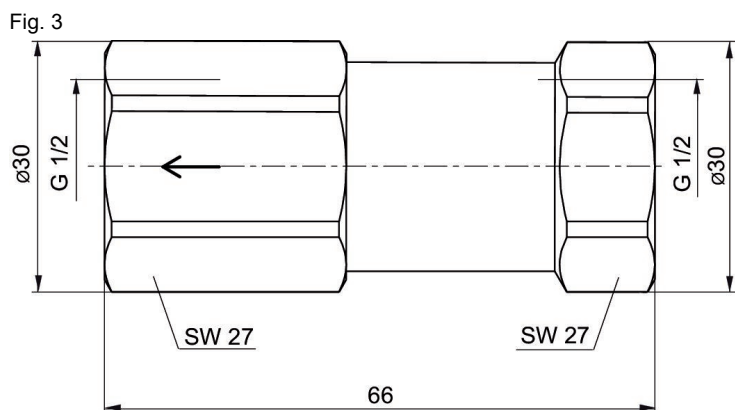
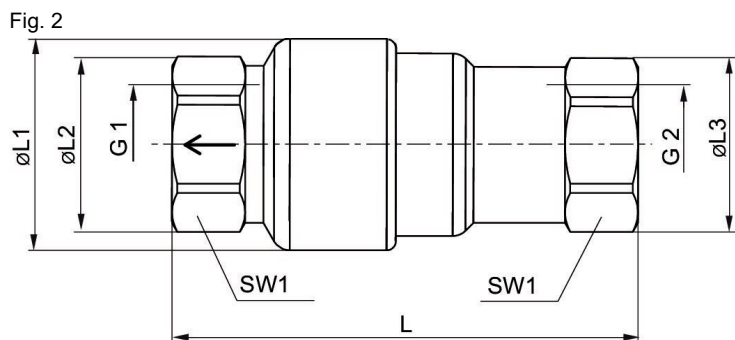
### Non-return valve, Series NR01

Compressed air connection: Internal thread  
Ambient temperature min./max.: -10 °C ... 60 °C  
Medium temperature min./max.: -10 °C ... 60 °C



Compressed air connection 1	Compressed air connection 2	Nominal flow Qn 1 to 2 [l/min]	Housing material	Fig.	Part No.
G 1/8	G 1/8	230	Brass	Fig. 1	5340981000
G 1/4	G 1/4	1050	Brass	Fig. 2	5340981100
G 3/8	G 3/8	1650	Brass	Fig. 2	5340981200
G 1/2	G 1/2	2200	Brass	Fig. 3	5340981300
G 3/4	G 3/4	6200	Brass	Fig. 2	5340981400





Part No.	G1	G2	L	L1	L2	L3	SW1
5340981100	G 1/4	G 1/4	51	23	19	19	17
5340981200	G 3/8	G 3/8	59.5	29	24.5	24.5	22
5340981400	G 3/4	G 3/4	77.5	39	35.8	35.8	32

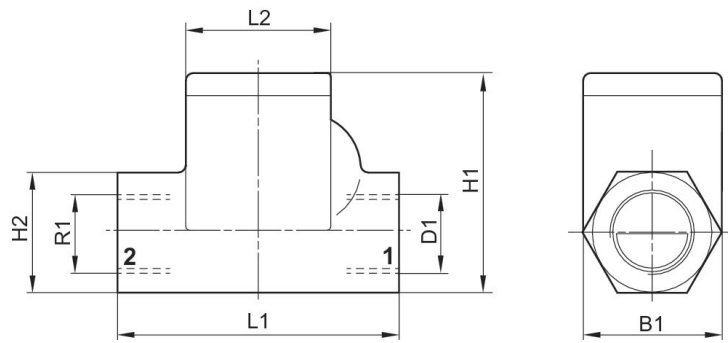
### Non-return valve, Series NR01

Compressed air connection type: Internal thread  
 Compressed air connection type 2: Internal thread  
 Ambient temperature min./max.: 0 °C ... 60 °C  
 Medium temperature min./max.: 0 °C ... 60 °C  
 Working pressure min./max.: 0.1 bar ... 10 bar



Compressed air connection 1	Compressed air connection 2	Nominal flow Qn 1 to 2 [l/min]	Housing material	Part No.
G 3/4	G 3/4	7350	Aluminum chill casting	0821003007
G 1	G 1	7950	Aluminum chill casting	0821003008

Dimensions







	R1	D1	B1	H1	H2	L1	L2
0821003007	G 3/4	G 3/4	50	74	41	100	51
0821003008	G 1	G 1	50	74	41	100	51

Efficient pneumatic solutions, our program:  
cylinders and drives, valves and valve systems,  
air supply management, proportional pressure  
control valves



Visit us: [www.Emerson.com/aventics](http://www.Emerson.com/aventics)  
Your local contact: [Emerson.com/contactus](http://Emerson.com/contactus)

-  [Emerson.com](http://Emerson.com)
-  [Facebook.com/EmersonAutomationSolutions](https://Facebook.com/EmersonAutomationSolutions)
-  [LinkedIn.com/company/Emerson-Automation-Solutions](https://LinkedIn.com/company/Emerson-Automation-Solutions)
-  [Twitter.com/EMR\\_Automation](https://Twitter.com/EMR_Automation)



The Emerson logo is a trademark and service mark of Emerson Electric Co. AVENTICS is a registered trademark of one of the Emerson family of companies. All other trademarks are the property of their respective owners. © 2020 Emerson Electric Co. All rights reserved.



**CONSIDER IT SOLVED<sup>®</sup>**