

CC02



AVENTICS™

AVENTICS Series CC02 Check-choke valves


EMERSON™

Series CC02

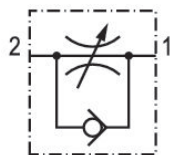
The AVENTICS Series CC check-choke valves are designed for nominal flows from 50 to 1960 l/min. The different versions are available with a push-in fitting or internal thread.

- $Q_n = 85 \dots 1960$ l/min



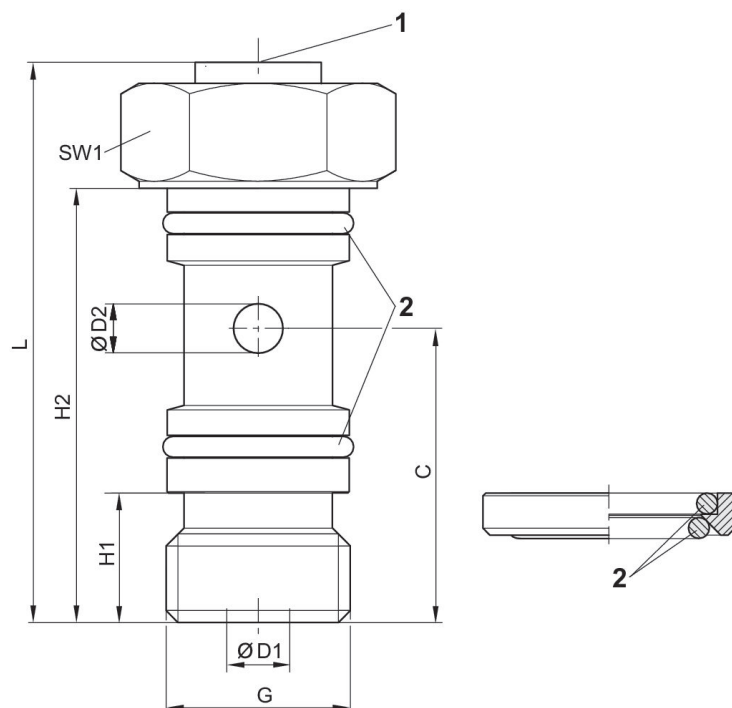
Check-choke valve, stainless steel, Series CC02-SL

External thread



Compressed air connection 2	direction of throttle	Nominal flow Qn 2 to 1 [l/min]	Housing material	Part No.
G 1/8	2 > 1	350	Stainless Steel	R412004980
G 1/4	2 > 1	600	Stainless Steel	R412004981

Dimensions



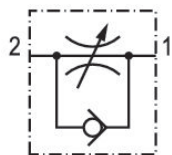
- 1) Slot in throttle screw 1 mm
- 2) Sealing ring

Part No.	G	Ø D1	Ø D2	H1	H2	L 1)	C	SW1
R412004980	G 1/8	3	3	7.8	25	32	17.5	14
R412004981	G 1/4	4.5	3.5	9.25	31	40	21	17

1) Max.

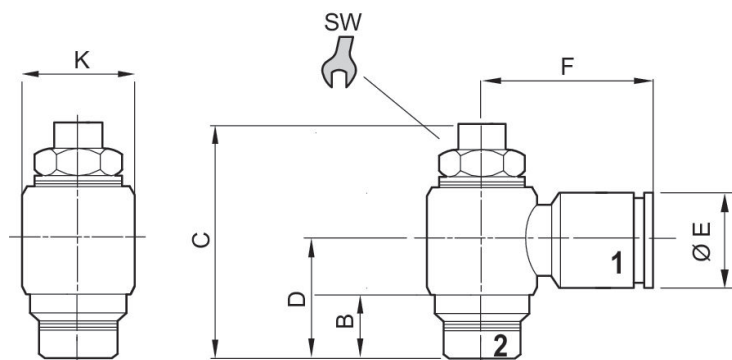
Check-choke valve, stainless steel, Series CC02-SL

External thread
push-in fitting



Compressed air connection 1	Compressed air connection 2	direction of throttle	Nominal flow Qn 2 to 1 [l/min]	Housing material	Part No.
Ø 4	M5	2 > 1	50	Stainless Steel	R412024736
Ø 4	G 1/8	2 > 1	150	Stainless Steel	R412024737
Ø 6	G 1/8	2 > 1	190	Stainless Steel	R412024738
Ø 8	G 1/8	2 > 1	200	Stainless Steel	R412024739
Ø 6	G 1/4	2 > 1	370	Stainless Steel	R412024740
Ø 8	G 1/4	2 > 1	420	Stainless Steel	R412024741
Ø 10	G 3/8	2 > 1	1000	Stainless Steel	R412024742

Dimensions



Part No.	Port 1	Port 2	B	C	D	ØE	F	ØK	SW
R412024736	Ø 4	M5	5	28.5	12.5	9	18	10	6
R412024737	Ø 4	G 1/8	5	32	15.5	9	19.5	14	9
R412024738	Ø 6	G 1/8	5	32	15.5	12	22	14	9
R412024739	Ø 8	G 1/8	5	32	15.5	14	22.5	14	9
R412024740	Ø 6	G 1/4	6.5	40	17.5	12	23.5	17	10
R412024741	Ø 8	G 1/4	6.5	40	17.5	14	24	17	10
R412024742	Ø 10	G 1/4	9	52	22	16	28	22	14

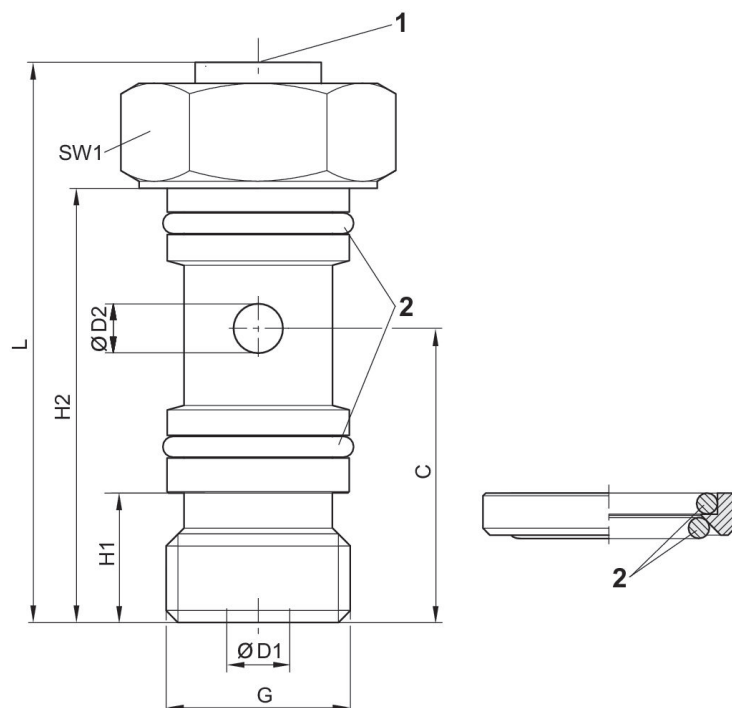
Check-choke valve, stainless steel, Series CC02-SL

External thread



Compressed air connection 2	direction of throttle	Nominal flow Qn 1 to 2 [l/min]	Housing material	Part No.
G 1/8	1 > 2	350	Stainless Steel	R412010456
G 1/4	1 > 2	600	Stainless Steel	R412010457

Dimensions



- 1) Slot in throttle screw 1 mm
- 2) Sealing ring

Part No.	G	Ø D1	Ø D2	H1	H2	L 1)	C	SW1
R412010456	G 1/8	3	3	6	25	32	17.5	14
R412010457	G 1/4	3.5	3.5	9.25	31	40	21	17

1) Max.

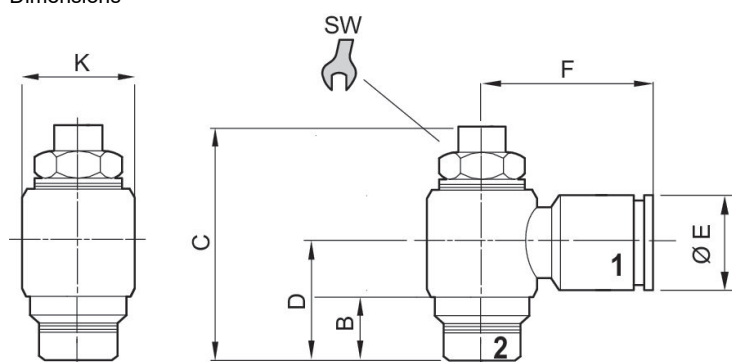
Check-choke valve, stainless steel, Series CC02-SL

push-in fitting
External thread



Compressed air connection 1	Compressed air connection 2	direction of throttle	Nominal flow Qn 1 to 2 [l/min]	Housing material	Part No.
Ø 4	G 1/8	1 > 2	150	Stainless Steel	R412024749
Ø 6	G 1/8	1 > 2	190	Stainless Steel	R412024750
Ø 6	G 1/4	1 > 2	370	Stainless Steel	R412024751
Ø 8	G 1/4	1 > 2	420	Stainless Steel	R412024752
Ø 10	G 3/8	1 > 2	1000	Stainless Steel	R412024753

Dimensions



Part No.	Port 1	Port 2	B	C	D	ØE	F	ØK	SW
R412024749	Ø 4	G 1/8	5	32	15.5	9	19.5	14	9
R412024750	Ø 6	G 1/8	5	32	15.5	12	22	14	9
R412024751	Ø 6	G 1/4	6.5	40	17.5	12	23.5	17	10
R412024752	Ø 8	G 1/4	6.5	40	17.5	14	24	17	10
R412024753	Ø 10	G 3/4	9	52	22	16	28	22	14

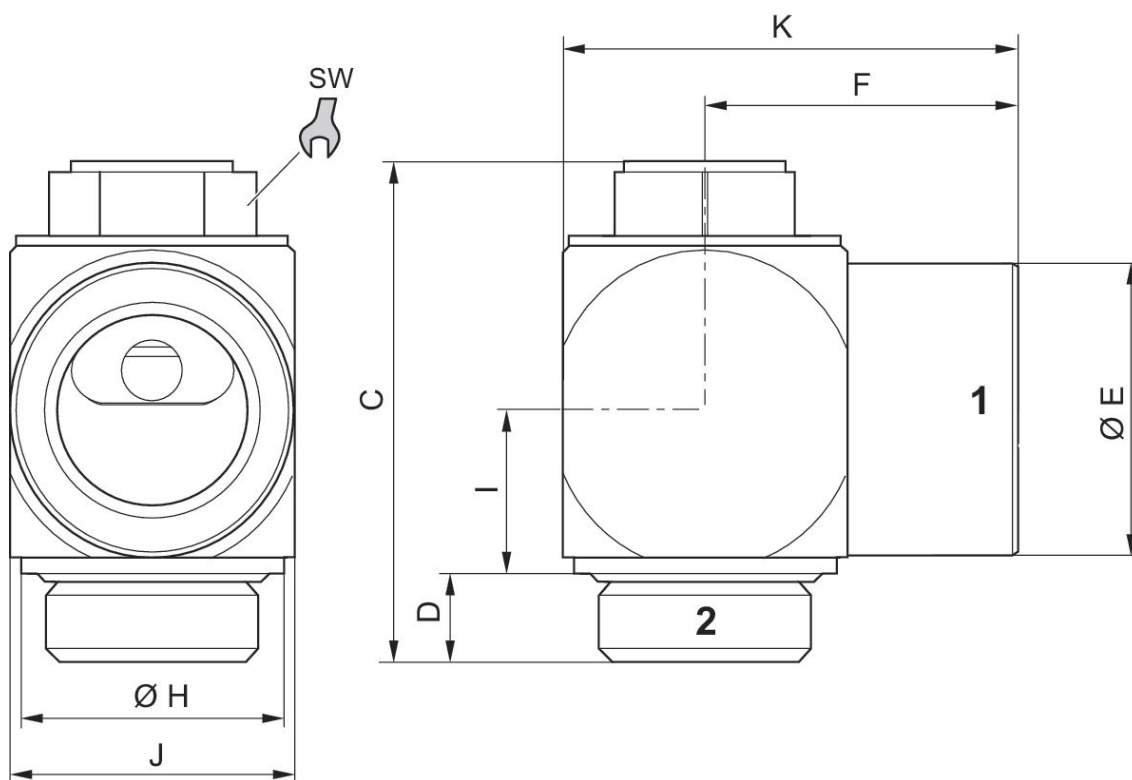
Check-choke valve, Series CC02-AL-HNBR

Internal thread
External thread



Compressed air connection 1	Compressed air connection 2	direction of throttle	Nominal flow Qn 1 to 2 [l/min]	Housing material	Part No.
G 1/8	G 1/8	1 > 2	314	Aluminum, anodized	R412026732

Dimensions



Part No.	Port 1	Port 2	C	D	ØE	F	ØH	I	J	K
R412026732	G 1/8	G 1/8	28.5	5.3	13	13	16.5	7.9	9	15

Part No.	SW
R412026732	10

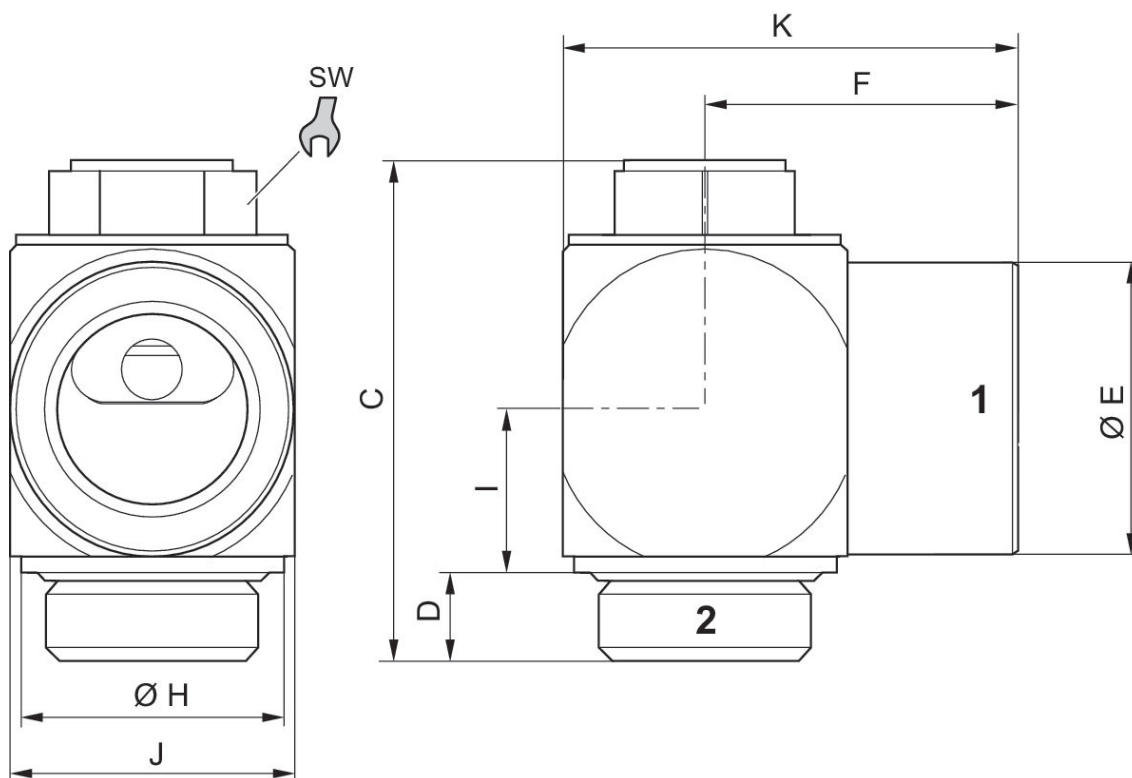
Check-choke valve, Series CC02-AL

Internal thread
External thread



Compressed air connection 1	Compressed air connection 2	direction of throttle	Nominal flow Qn 1 to 2 [l/min]	Housing material	Part No.
M5	M5	1 > 2	85	Aluminum, anodized	R412004836
G 1/8	G 1/8	1 > 2	360	Aluminum, anodized	0821200201
G 1/4	G 1/4	1 > 2	540	Aluminum, anodized	0821200202

Dimensions

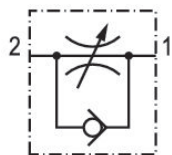


Part No.	Port 1	Port 2	C	D	ØE	F	ØH	I	J	K
R412004836	M5	M5	21.8	4.1	8	10	8.5	5.8	9	15
0821200201	G 1/8	G 1/8	28.5	5.3	13	16.5	14	7.9	15	23.5
0821200202	G 1/4	G 1/4	33.6	6.2	16	18	17	9.5	19	28

Part No.	SW
R412004836	7
0821200201	10
0821200202	13

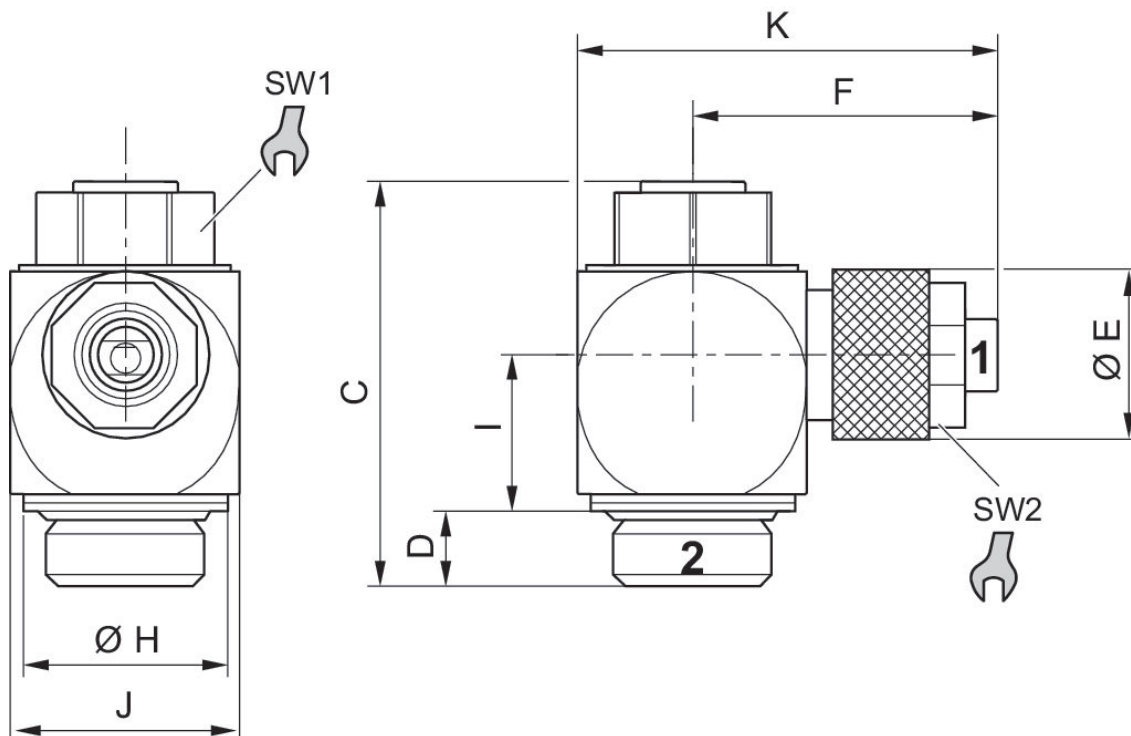
Check-choke valve, Series CC02-AL

plug-in with tube nut
External thread



Compressed air connection 1	Compressed air connection 2	direction of throttle	Nominal flow Qn 2 to 1 [l/min]	Housing material	Part No.
Ø 3x0,6	M5	2 > 1	85	Aluminum, anodized	0821200117
Ø 3x1	M5	2 > 1	85	Aluminum, anodized	R412026121
Ø 4x1	M5	2 > 1	85	Aluminum, anodized	R412026120
Ø 4x1	G 1/8	2 > 1	360	Aluminum, anodized	R412026119
Ø 4x1	G 1/4	2 > 1	540	Aluminum, anodized	0821200181
Ø 6x1	G 1/8	2 > 1	360	Aluminum, anodized	R412004775
Ø 6x1	G 1/4	2 > 1	540	Aluminum, anodized	R412004776
Ø 6x1	G 3/8	2 > 1	900	Aluminum, anodized	0821200184
Ø 9x1,5	G 3/8	2 > 1	900	Aluminum, anodized	0821200185

Dimensions

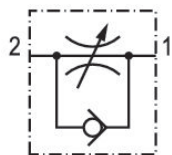


Part No.	Port 1	Port 2	C	D	ØE	F	ØH	I	J	K
0821200117	Ø 3x0,6	M5	21.8	4.1	10	16	8.5	7.4	10	21.5
R412026121	Ø 3x1	M5	21.8	4.1	10	16	8.5	7.4	10	21.5
R412026120	Ø 4x1	M5	21.8	4.1	10	16	8.5	7.4	10	22
R412026119	Ø 4x1	G 1/8	28.5	5.5	10	20	14	10.5	15	28
R412004775	Ø 6x1	G 1/8	28.5	5.5	14	23.8	14	10.5	15	31.8
0821200181	Ø 6x1	G 1/4	33.6	6.2	8	24.3	17	13	19	31.6
R412004776	Ø 6x1	G 1/4	33.6	6.2	12	25.5	17	13	19	35.1
0821200184	Ø 4x1	G 3/8	41	7.2	14	27.6	22	15.2	24	39.6
0821200185	Ø 9x1,5	G 3/8	41	7.2	17	28.2	22	16.3	24	40.2

Part No.	SW1	SW2
0821200117	7	8
R412026121	7	8
R412026120	7	8
R412026119	10	8
R412004775	10	12
0821200181	13	8
R412004776	13	12
0821200184	16	12
0821200185	16	15

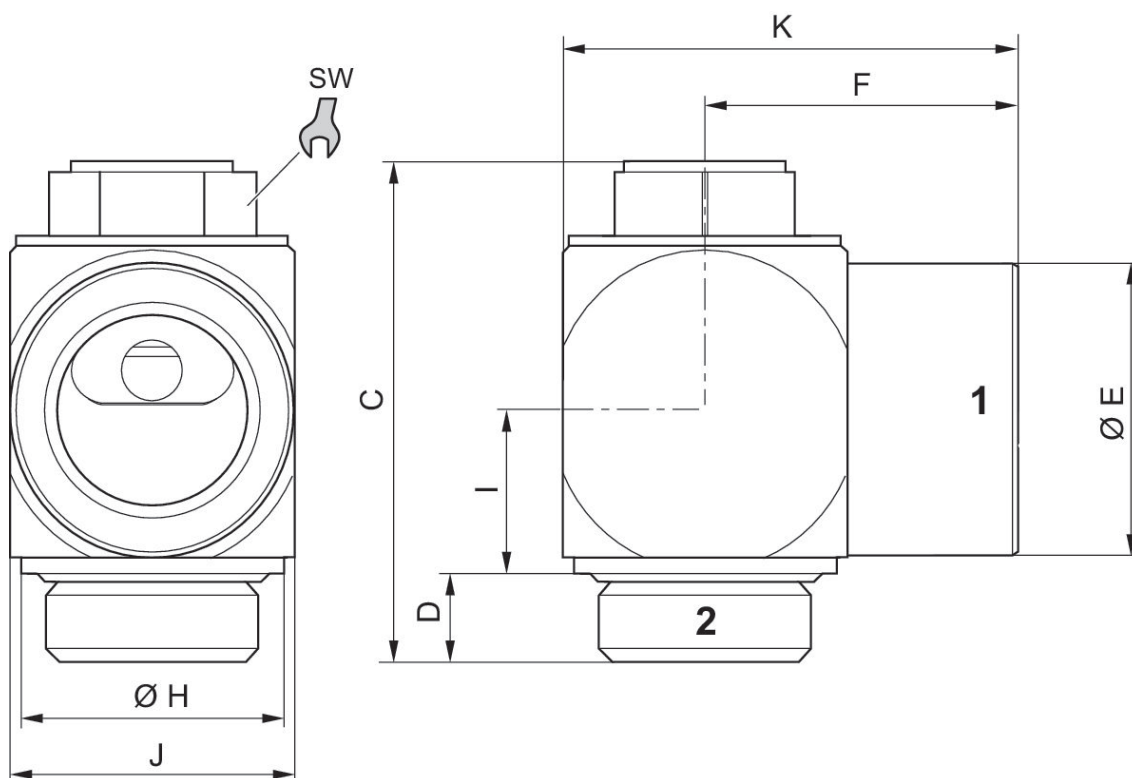
Check-choke valve, Series CC02-AL

Internal thread
External thread



Compressed air connection 1	Compressed air connection 2	direction of throttle	Nominal flow Qn 2 to 1 [l/min]	Housing material	Part No.
M5	M5	2 > 1	68	Aluminum, anodized	R412004833
G 1/8	G 1/8	2 > 1	363	Aluminum, anodized	0821200204
G 1/4	G 1/4	2 > 1	568	Aluminum, anodized	0821200205
G 3/8	G 3/8	2 > 1	1196	Aluminum, anodized	0821200206
G 1/2	G 1/2	2 > 1	2691	Aluminum, anodized	0821200207

Dimensions



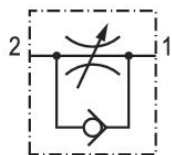
Part No.	Port 1	Port 2	C	D	ØE	F	ØH	I	J	K
R412004833	M5	M5	21.8	4.1	8	10	8.5	5.8	9	15
0821200204	G 1/8	G 1/8	28.5	5.3	13	16.5	14	7.9	15	23.5

Part No.	Port 1	Port 2	C	D	ØE	F	ØH	I	J	K
0821200205	G 1/4	G 1/4	33.6	6.2	16	18	17	9.5	19	28
0821200206	G 3/8	G 3/8	41	7.2	22	26	22	13.3	24	38
0821200207	G 1/2	G 1/2	47.8	8.5	28	31	26	15.7	28	45

Part No.	SW
R412004833	7
0821200204	10
0821200205	13
0821200206	16
0821200207	18

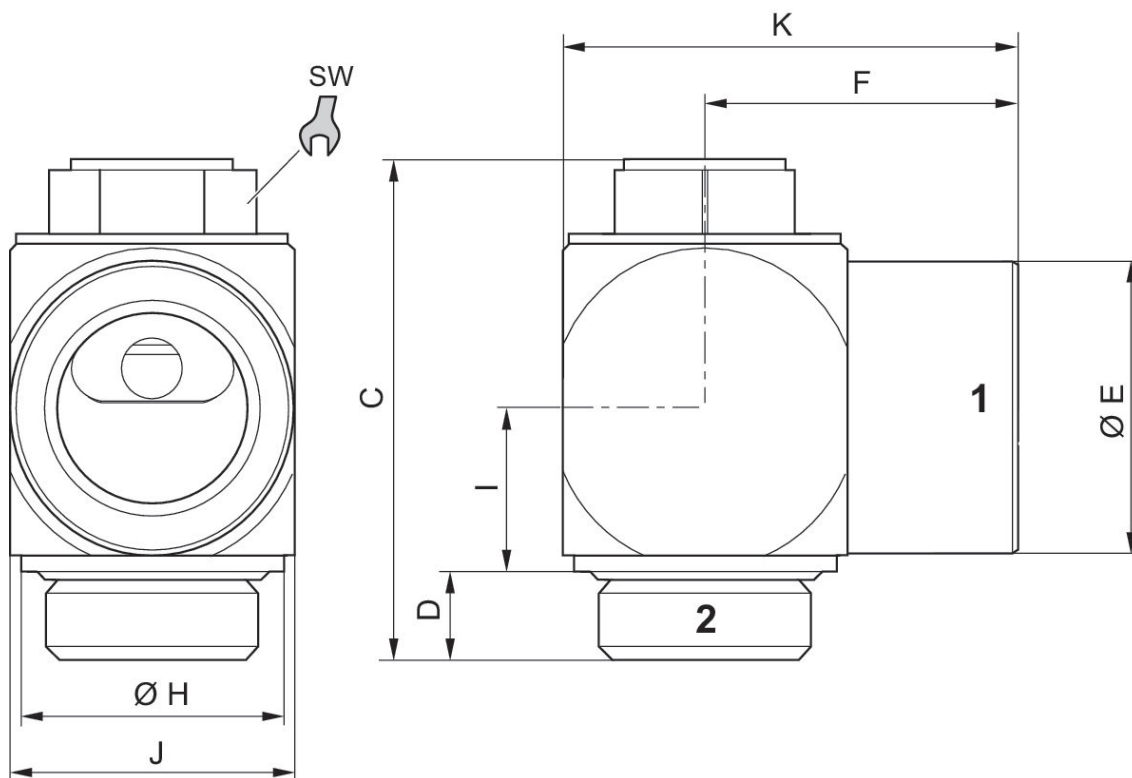
Check-choke valve, Series CC02-AL-HNBR

Internal thread
External thread



Compressed air connection 1	Compressed air connection 2	direction of throttle	Nominal flow Qn 2 to 1 [l/min]	Housing material	Part No.
G 1/8	G 1/8	2 > 1	363	Aluminum, anodized	R412026731

Dimensions



Part No.	Port 1	Port 2	C	D	ØE	F	ØH	I	J	K
R412026731	G 1/8	G 1/8	28.5	5.3	13	13	16.5	7.9	9	15

Part No.	SW
R412026731	10

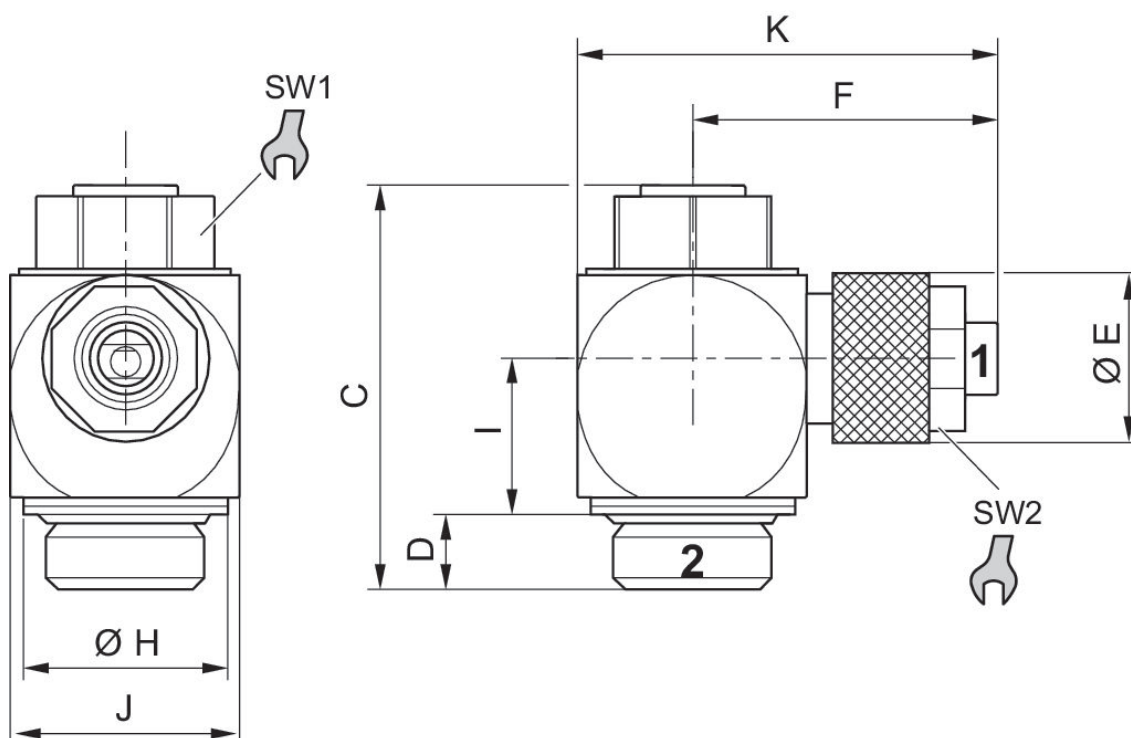
Check-choke valve, Series CC02-AL

plug-in with tube nut
External thread



Compressed air connection 1	Compressed air connection 2	direction of throttle	Nominal flow Qn 1 to 2 [l/min]	Housing material	Part No.
Ø 3x0,65	M5	1 > 2	85	Aluminum, anodized	0821200118
Ø 3x1	M5	1 > 2	85	Aluminum, anodized	R412026123
Ø 4x1	M5	1 > 2	85	Aluminum, anodized	R412026122

Dimensions

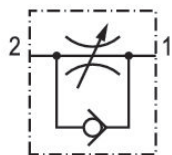


Part No.	Port 1	Port 2	C	D	ØE	F	ØH	I	J	K
0821200118	Ø 3x0,6	M5	21.8	4.1	10	16	8.5	7.4	10	21.5
R412026123	Ø 3x1	M5	21.8	4.1	10	16	8.5	7.4	10	21.5
R412026122	Ø 4x1	M5	21.8	4.1	10	16	8.5	7.4	10	22

Part No.	SW1	SW2
0821200118	7	8
R412026123	7	8
R412026122	7	8

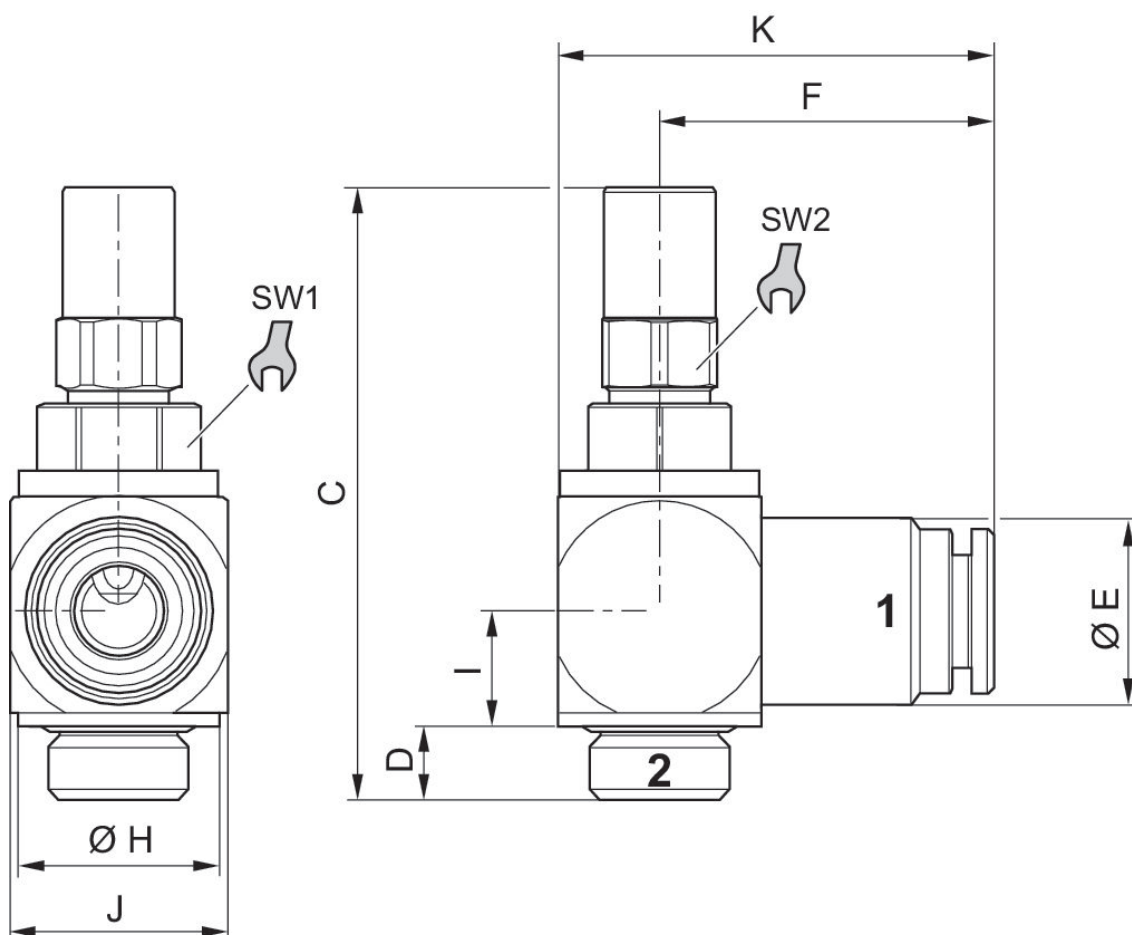
Check-choke valve, Series CC02-AL

push-in fitting
External thread



Compressed air connection 1	Compressed air connection 2	direction of throttle	Nominal flow Qn 2 to 1 [l/min]	Housing material	Part No.
Ø 4	G 1/8	2 > 1	360	Aluminum, anodized	0821200241
Ø 6	G 1/8	2 > 1	360	Aluminum, anodized	0821200243
Ø 6	G 1/4	2 > 1	540	Aluminum, anodized	0821200245

Dimensions



Part No.	Port 1	Port 2	C	D	ØE	F	ØH	I	J	K
0821200241	Ø 4	G 1/8	42.5	5.1	12	20.8	14	8	15	27.8
0821200243	Ø 6	G 1/8	42.5	5.1	13	23.3	14	8	15	30.3
0821200245	Ø 6	G 1/4	47.6	6.4	16	25.8	17	9.8	19	35.3

Part No.	SW1	SW2
0821200241	10	8
0821200243	10	8
0821200245	13	8

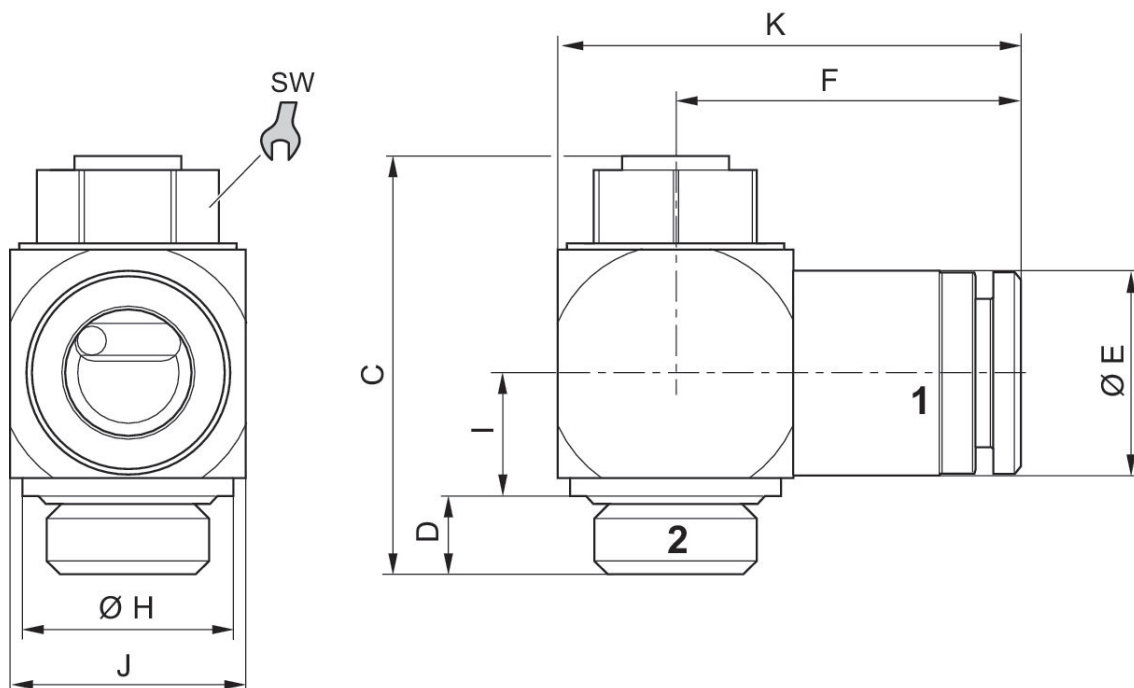
Check-choke valve, Series CC02-AL-HNBR

push-in fitting
External thread



Compressed air connection 1	Compressed air connection 2	direction of throttle	Nominal flow Qn 1 to 2 [l/min]	Housing material	Part No.
Ø 4	M5	1 > 2	70	Aluminum, anodized	R412026728
Ø 6	G 1/8	1 > 2	360	Aluminum, anodized	R412026729

Dimensions



Part No.	Port 1	Port 2	C	D	ØE	F	ØH	I	J	K
R412026728	Ø 4	M5	21.8	3.9	9	16.9	8.5	6.3	10.5	21.7
R412026729	Ø 6	G 1/8	28.5	5.1	13	23.3	14	8	15	30.3

Part No.	SW
R412026728	7
R412026729	10

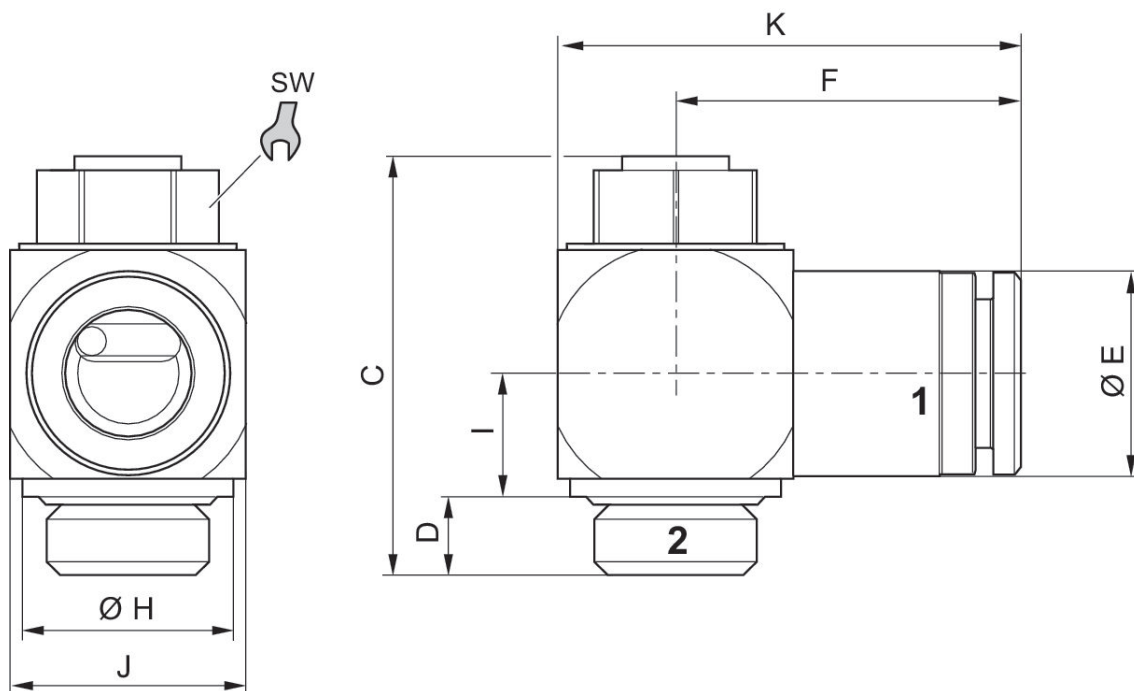
Check-choke valve, Series CC02-AL

push-in fitting
External thread



Compressed air connection 1	Compressed air connection 2	direction of throttle	Nominal flow Qn 1 to 2 [l/min]	Housing material	Part No.
Ø 4	M5	1 > 2	70	Aluminum, anodized	R412027119
Ø 4	G 1/8	1 > 2	360	Aluminum, anodized	R412007942
Ø 6	M5	1 > 2	85	Aluminum, anodized	R412007861
Ø 6	G 1/8	1 > 2	360	Aluminum, anodized	0821200236
Ø 6	G 1/4	1 > 2	540	Aluminum, anodized	0821200238
Ø 8	G 1/8	1 > 2	360	Aluminum, anodized	0821200237
Ø 8	G 1/4	1 > 2	540	Aluminum, anodized	0821200239

Dimensions



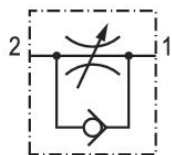
Part No.	Port 1	Port 2	C	D	ØE	F	ØH	I	J	K
R412027119	Ø 4	M5	21.8	3.9	10.45	16.9	8.5	6.3	10.5	21.7
R412007942	Ø 4	G 1/8	28.5	5.1	12	20.8	14	8	15	27.8

Part No.	Port 1	Port 2	C	D	ØE	F	ØH	I	J	K
R412007861	Ø 6	M5	21.8	3.9	10.45	16.9	8.5	6.3	10.5	21.7
0821200236	Ø 6	G 1/8	28.5	5.1	13	23.3	14	8	15	30.3
0821200238	Ø 6	G 1/4	33.6	6.2	16	25.8	17	9.8	19	35.3
0821200237	Ø 8	G 1/8	28.5	5.1	13.8	24.3	14	8	15	31.2
0821200239	Ø 8	G 1/4	33.6	6.2	16	26.2	17	9.8	19	35.7

Part No.	SW
R412027119	7
R412007942	10
R412007861	7
0821200236	10
0821200238	13
0821200237	10
0821200239	13

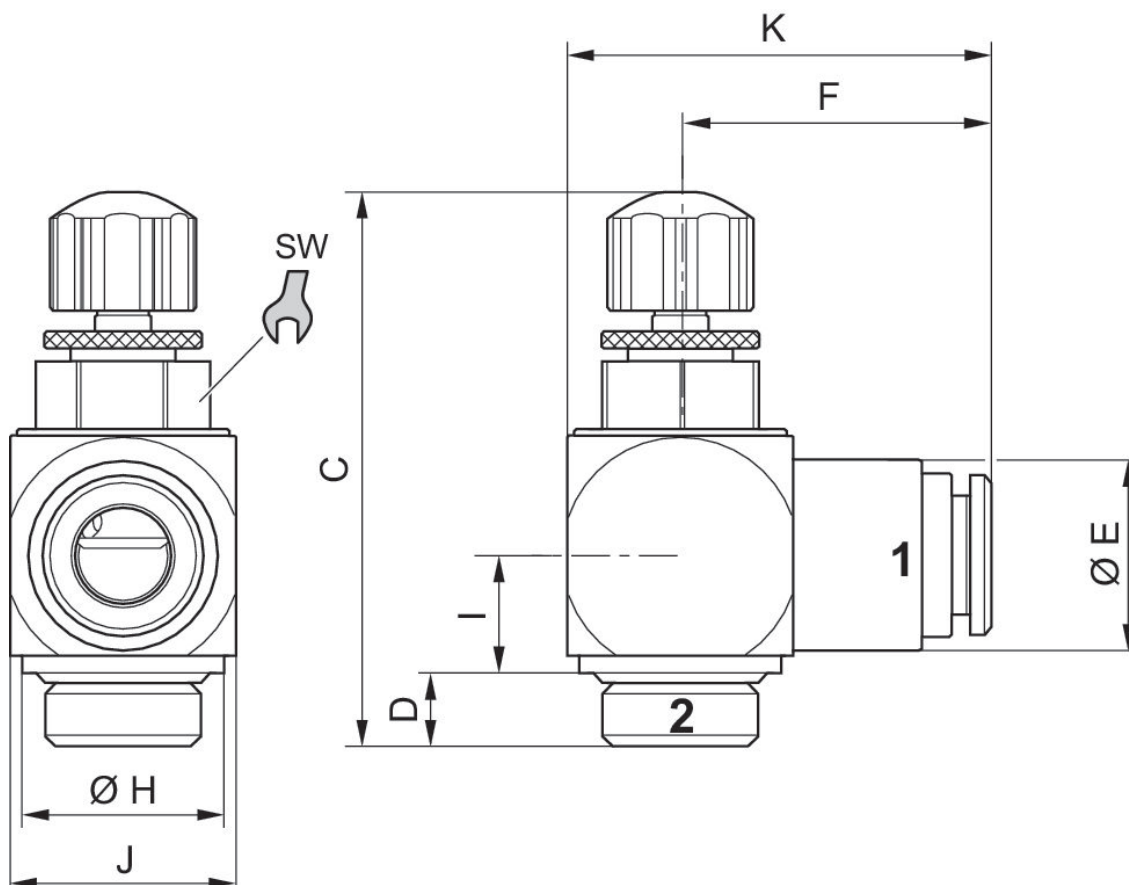
Check-choke valve, Series CC02-AL

push-in fitting
External thread



Compressed air connection 1	Compressed air connection 2	direction of throttle	Nominal flow Qn 2 to 1 [l/min]	Housing material	Part No.
Ø 6	G 1/8	2 > 1	360	Aluminum, anodized	R412007688
Ø 6	G 1/4	2 > 1	540	Aluminum, anodized	R412007664
Ø 8	G 1/8	2 > 1	360	Aluminum, anodized	R412007689
Ø 8	G 1/4	2 > 1	540	Aluminum, anodized	R412007614

Dimensions

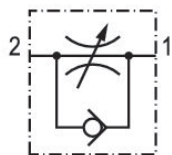


Part No.	Port 1	Port 2	C	D	ØE	F	ØH	I	J	K
R412007688	Ø 6	G 1/8	41.2	5.1	13	23.3	14	8	15	30.2
R412007664	Ø 6	G 1/8	46.9	6.2	16	25.3	17	9.8	19	35.3
R412007689	Ø 8	G 1/4	41.2	5.1	13.8	24.3	14	8	15	31.2
R412007614	Ø 8	G 1/4	46.9	6.2	16	26.2	17	9.8	19	35.7

Part No.	SW
R412007688	10
R412007664	13
R412007689	10
R412007614	13

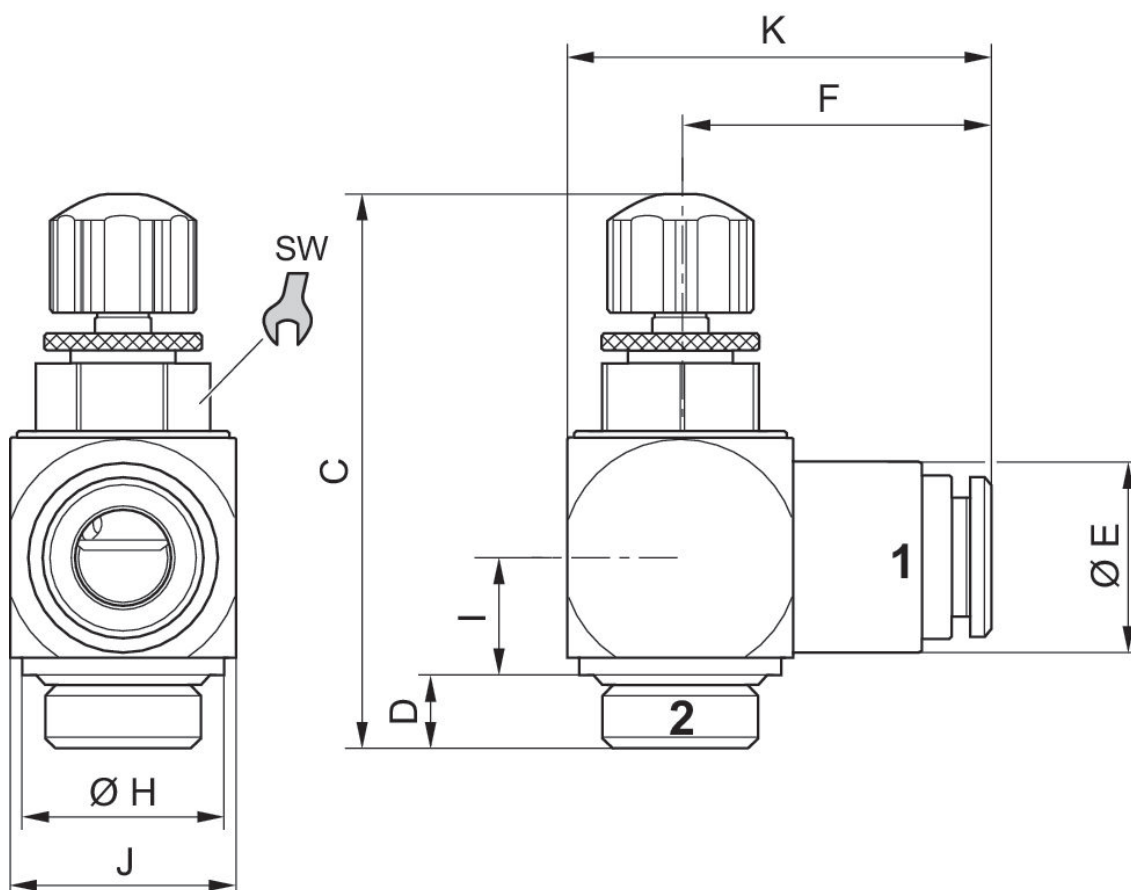
Check-choke valve, Series CC02-AL-HNBR

push-in fitting
External thread



Compressed air connection 1	Compressed air connection 2	direction of throttle	Nominal flow Qn 2 to 1 [l/min]	Housing material	Part No.
Ø 6	G 1/8	2 > 1	284	Aluminum, anodized	R412026733

Dimensions

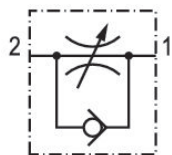


Part No.	Port 1	Port 2	C	D	ØE	F	ØH	I	J	K
R412026733	Ø 6	G 1/8	41.2	5.1	13	23.3	14	8	15	30.2

Part No.	SW
R412026733	10

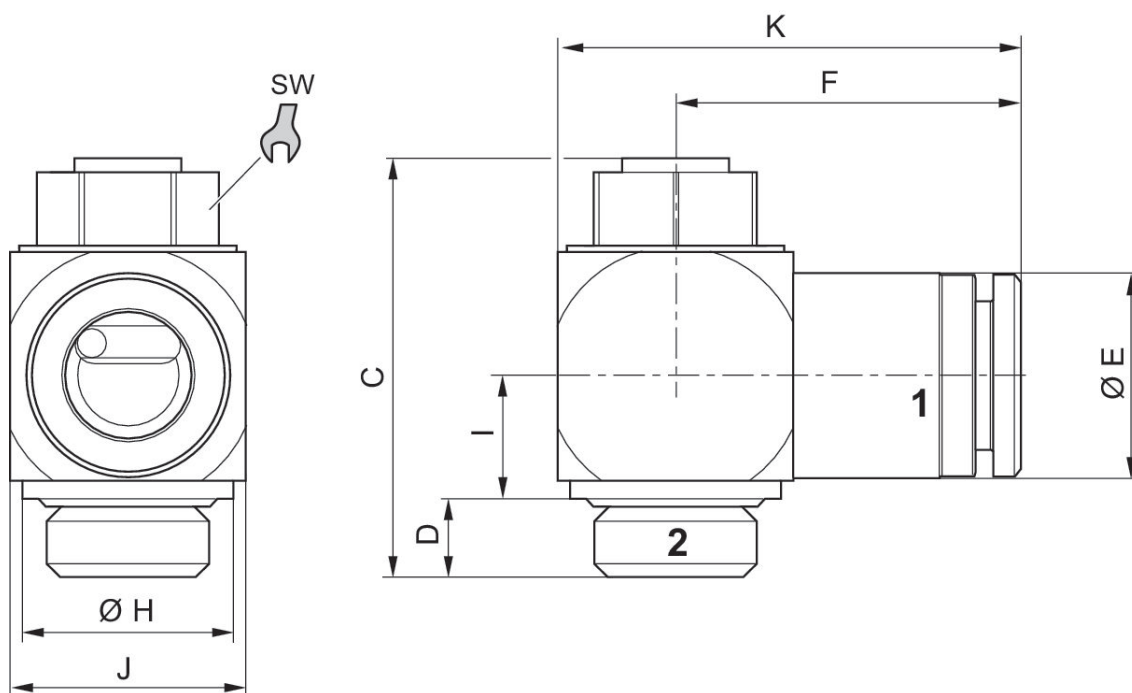
Check-choke valve, Series CC02-AL

push-in fitting
External thread



Compressed air connection 1	Compressed air connection 2	direction of throttle	Nominal flow Qn 2 to 1 [l/min]	Housing material	Part No.
Ø 4	M5	2 > 1	70	Aluminum, anodized	R412027120
Ø 6	M5	2 > 1	85	Aluminum, anodized	R412004995
Ø 6	G 1/8	2 > 1	360	Aluminum, anodized	0821200242
Ø 6	G 1/4	2 > 1	540	Aluminum, anodized	0821200246
Ø 8	G 1/8	2 > 1	360	Aluminum, anodized	0821200244
Ø 8	G 1/4	2 > 1	540	Aluminum, anodized	0821200247
Ø 8	G 3/8	2 > 1	900	Aluminum, anodized	0821200248
Ø 10	G 1/4	2 > 1	540	Aluminum, anodized	0821200253
Ø 10	G 3/8	2 > 1	900	Aluminum, anodized	0821200249
Ø 12	G 3/8	2 > 1	900	Aluminum, anodized	R412007432

Dimensions

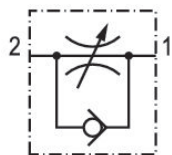


Part No.	Port 1	Port 2	C	D	ØE	F	ØH	I	J	K
R412027120	Ø 4	M5	21.8	3.9	10.45	16.9	8.5	6.3	10.5	21.7
R412004995	Ø 6	M5	21.8	3.9	10.45	16.9	8.5	6.3	10.5	21.7
0821200242	Ø 6	G 1/8	28.5	5.1	13	23.3	14	8	15	30.3
0821200246	Ø 6	G 1/4	33.6	6.2	16	25.8	17	9.8	19	35.3
0821200244	Ø 8	G 1/8	28.5	5.1	13.8	24.3	14	8	15	31.2
0821200247	Ø 8	G 1/4	33.6	6.2	16	26.2	17	9.8	19	35.7
0821200248	Ø 8	G 3/8	41	7.2	16	30.2	22	13.3	24	42.7
0821200253	Ø 10	G 1/4	33.6	6.2	16	27.9	17	9.8	19	37.4
0821200249	Ø 10	G 3/8	41	7.2	19	30.9	22	13.3	24	43.4
R412007432	Ø 12	G 3/8	41	7.2	22	33	22	13.3	24	45.5

Part No.	SW
R412027120	7
R412004995	7
0821200242	10
0821200246	13
0821200244	10
0821200247	13
0821200248	16
0821200253	13
0821200249	16
R412007432	16

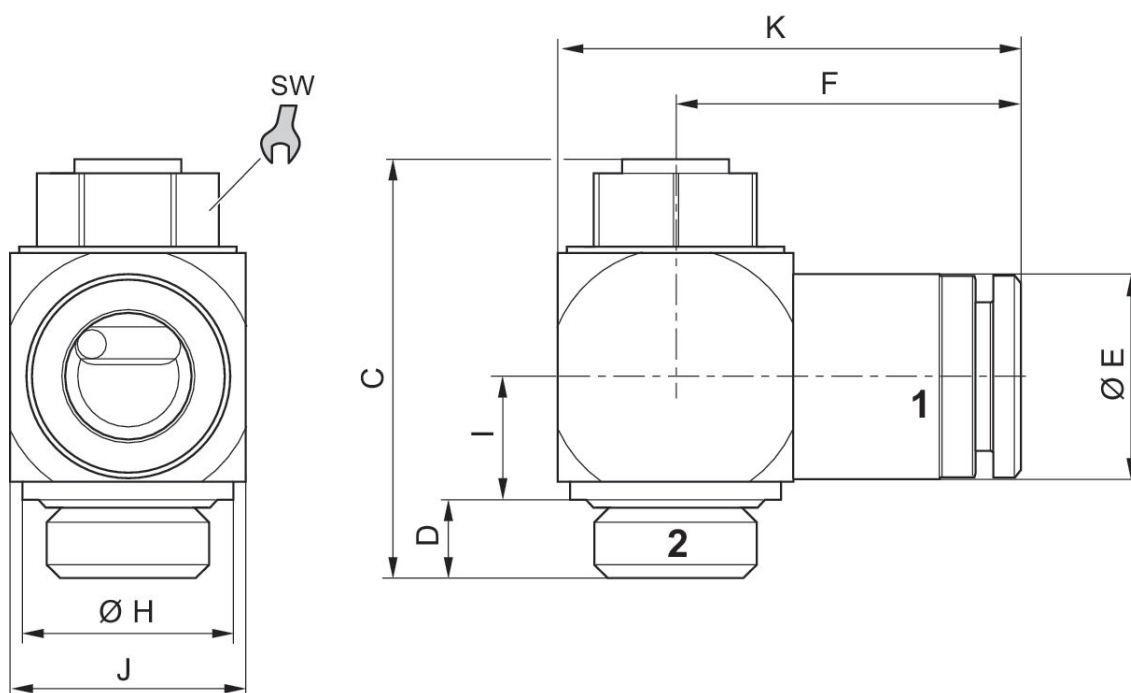
Check-choke valve, Series CC02-AL-HNBR

push-in fitting
External thread



Compressed air connection 1	Compressed air connection 2	direction of throttle	Nominal flow Qn 2 to 1 [l/min]	Housing material	Part No.
Ø 4	M5	2 > 1	70	Aluminum, anodized	R412026724
Ø 4	G 1/8	2 > 1	59	Aluminum, anodized	R412026730
Ø 6	M5	2 > 1	80	Aluminum, anodized	R412026725
Ø 6	G 1/8	2 > 1	294	Aluminum, anodized	R412026726
Ø 8	G 1/8	2 > 1	285	Aluminum, anodized	R412026727

Dimensions



Part No.	Port 1	Port 2	C	D	ØE	F	ØH	I	J	K
R412026724	Ø 4	M5	21.8	3.9	9	16.9	8.5	6.3	10.5	21.7
R412026730	Ø 4	G 1/8	28.5	5.1	12	20.8	14	8	15	27.8
R412026725	Ø 6	M5	21.8	3.9	10.45	16.9	8.5	6.3	10.5	21.7
R412026726	Ø 6	G 1/8	28.5	5.1	13	23.3	14	8	15	30.3

Part No.	Port 1	Port 2	C	D	ØE	F	ØH	I	J	K
R412026727	Ø 8	G 1/8	28.5	5.1	13.8	24.3	14	8	15	31.2

Part No.	SW
R412026724	7
R412026730	10
R412026725	7
R412026726	10
R412026727	10

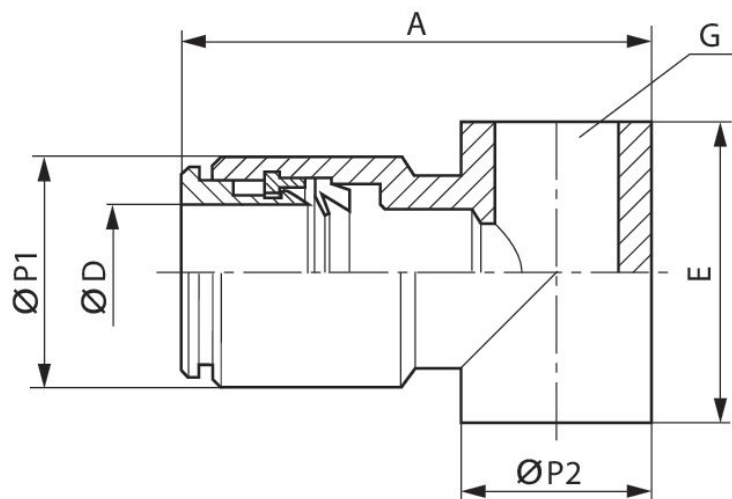
Series QR2-C-RV1, stainless steel

1x banjo union
suitable for use in food processing



G	Ø D	Delivery unit [piece]	Part No.
G 1/8	Ø 4	2	R412004973
G 1/8	Ø 6	2	R412004974
G 1/8	Ø 8	2	R412004975
G 1/4	Ø 6	2	R412004976
G 1/4	Ø 8	2	R412004977

Dimensions



Part No.	Port D	Port G	A	E	Ø P1	Ø P2
R412004973	Ø 4	G 1/8	27	15	9	14
R412004974	Ø 6	G 1/8	29	15	12	14
R412004975	Ø 8	G 1/8	29.5	15	14	14
R412004976	Ø 6	G 1/4	32.5	17	12	18
R412004977	Ø 8	G 1/4	33	17	14	18

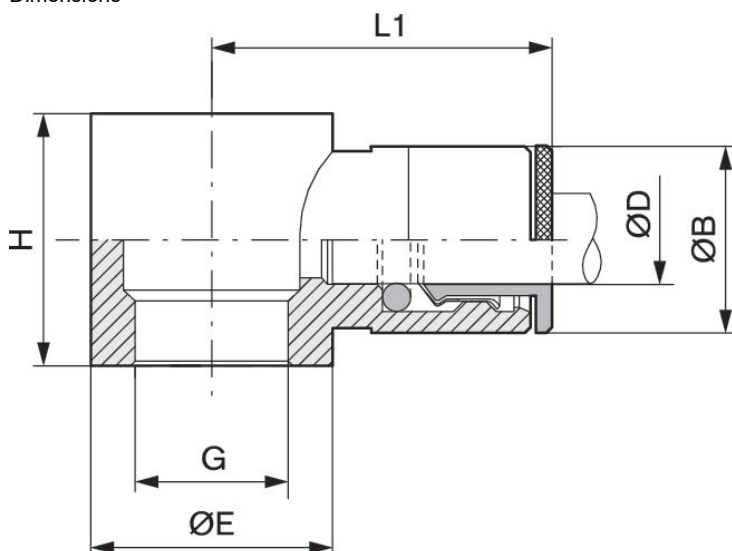
Series QR2-S-RV1 standard

1x banjo union
push-in fitting



G	Ø D	Delivery unit [piece]	Part No.
M5	Ø 4	10	1823391583
M5	Ø 5	10	1823391584
G 1/8	Ø 4	10	1823391585
G 1/8	Ø 5	10	1823391586
G 1/8	Ø 6	10	1823391587
G 1/8	Ø 8	10	1823391588
G 1/4	Ø 6	10	1823391589
G 1/4	Ø 8	10	1823391590
G 1/4	Ø 10	5	1823391591
G 3/8	Ø 8	5	1823391592
G 3/8	Ø 10	5	1823391593
G 3/8	Ø 12	5	1823391594

Dimensions



Part No.	Port D	Port G	Ø B	Ø E	H	L1
1823391583	Ø 4	M5	9	8.2	9	18.5

Part No.	Port D	Port G	Ø B	Ø E	H	L1
1823391584	Ø 5	M5	10	7	9	19.5
1823391585	Ø 4	G 1/8	9	14	15	21
1823391586	Ø 5	G 1/8	10	14	15	22.5
1823391587	Ø 6	G 1/8	11	14	15	23
1823391588	Ø 8	G 1/8	13	14	15	24.5
1823391589	Ø 6	G 1/4	11	18	17	24
1823391590	Ø 8	G 1/4	13	18	17	26
1823391591	Ø 10	G 1/4	15	18	17	27
1823391592	Ø 8	G 3/8	13	21	20	28
1823391593	Ø 10	G 3/8	15	21	20	29
1823391594	Ø 12	G 3/8	17	21	20	30

Efficient pneumatic solutions, our program: cylinders and drives, valves and valve systems, air supply management



Visit us: [Emerson.com/Aventics](https://www.emerson.com/aventics)

Your local contact: [Emerson.com/contactus](https://www.emerson.com/contactus)



[Emerson.com](https://www.emerson.com)



[Facebook.com/EmersonAutomationSolutions](https://www.facebook.com/EmersonAutomationSolutions)



[LinkedIn.com/company/Emerson-Automation-Solutions](https://www.linkedin.com/company/Emerson-Automation-Solutions)



[Twitter.com/EMR_Automation](https://twitter.com/EMR_Automation)

An example configuration is depicted on the title page. The delivered product may thus vary from that in the illustration. Subject to change. This Document, as well as the data, specifications and other information set forth in it, are the exclusive property of AVENTICS GmbH. It may not be reproduced or given to third parties without its consent. Only use the AVENTICS products shown in industrial applications. Read the product documentation completely and carefully before using the product. Observe the applicable regulations and laws of the respective country. When integrating the product into applications, note the system manufacturer's specifications for safe use of the product. The data specified only serve to describe the product. No statements concerning a certain condition or suitability for a certain application can be derived from our information. The information given does not release the user from the obligation of own judgment and verification. It must be remembered that the products are subject to a natural process of wear and aging.

The Emerson logo is a trademark and service mark of Emerson Electric Co. Brand logotype are registered trademarks of one of the Emerson family of companies. All other marks are the property of their respective owners. © 2019 Emerson Electric Co. All rights reserved.



CONSIDER IT SOLVED™