

Série CC01



AVENTICS™

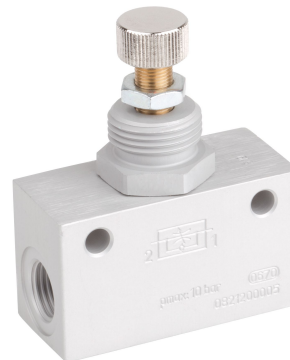
**AVENTICS série CC01 Válvulas
de retenção-estrangulamento**


EMERSON™

Série CC01

As válvulas de retenção-estrangulamento AVENTICS série CC foram projetadas para vazões nominais de 32 a 5.600 l/min. As diferentes versões estão disponíveis com encaixe por pressão ou rosca interna.

- $Q_n = 32 \text{ l/min} \dots 5600 \text{ l/min}$



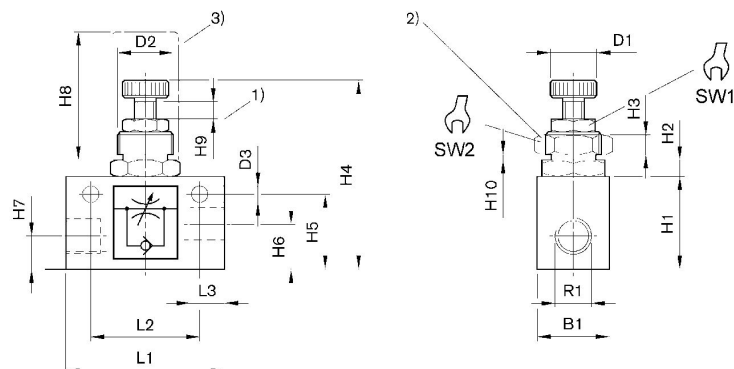
Válvula de estrangulamento de retenção, Série CC01

Rosca interna
Rosca interna



entrada	saída	Tipo conexão de ar comprimido entrada	Qn 1 > 2 [l/min]	N° de material
G 1/8	G 1/8	Rosca interna	32	0821200009
G 1/8	G 1/8	Rosca interna	130	0821200008
G 1/4	G 1/4	Rosca interna	550	0821200005

Dimensões



1) faixa de ajuste 2) porca para montagem de painel elétrico 3) tampa protetora

N° de material	Conexão G	R1	B1	D1	D2	D3	H1	H2	H3	H4
0821200009	G 1/8	G 1/8	16	10	M12x1	4.5	20	4	4	56
0821200008	G 1/8	G 1/8	16	10	M12x1	4.5	20	4	4	56
0821200005	G 1/4	G 1/4	25	13	M20x1,5	5.5	32	5.5	6	70

N° de material	H5	H6	H7	H8	H9	H10	L1	L2	L3	SW1
0821200009	16.5	8	8	35	4	3.5	35	25	8	10
0821200008	16.5	8	8	35	4	3.5	35	25	8	10
0821200005	26	15	11	40	5	3.5	55	38	12	13

N° de material	SW2
0821200009	17
0821200008	17
0821200005	24

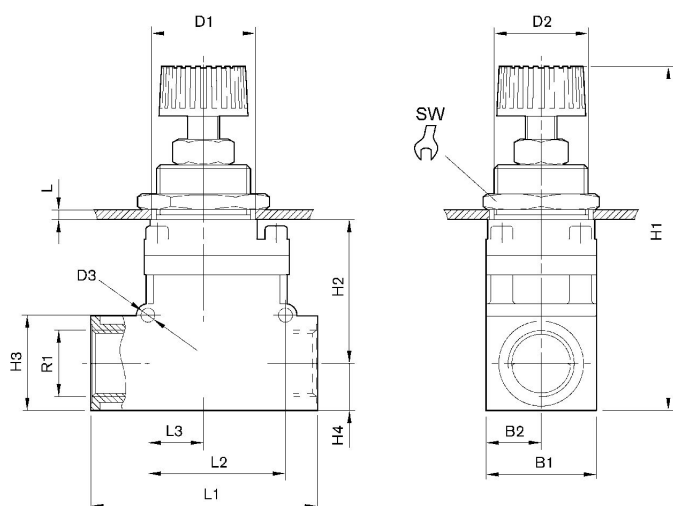
Série CC01

Rosca interna
Rosca interna



entrada	saída	Tipo conexão de ar comprimido entrada	Qn 1 > 2 [l/min]	N° de material
G 3/8	G 3/8	Rosca interna	1600	0821200014

Dimensões



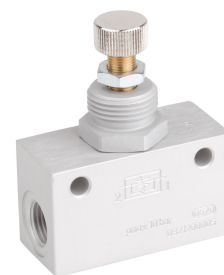
N° de material	Conexão G	R1	B1	B2	D1	D2	D3	H1	H2	H3
0821200014	G 3/8	G 3/8	35	17.5	30.5	30	4.5	102-109	46	30

N° de material	H4	L 1)	L1	L2	L3	SW
0821200014	15	12	72	44	18	36

1) Máx.

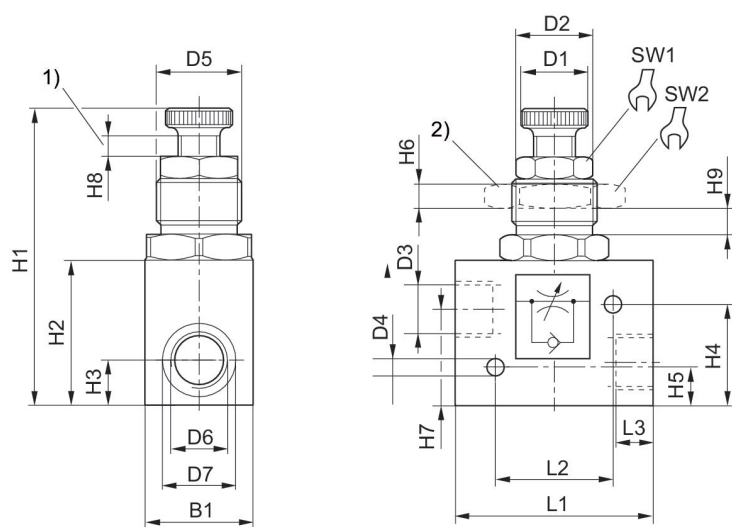
Série CC01

Rosca interna
Rosca interna



entrada	saída	Tipo conexão de ar comprimido entrada	Qn 1 > 2 [l/min]	N° de material
G 1/2	G 1/2	Rosca interna	2750	0821200003

Dimensões



1) faixa de ajuste 2) porca para montagem de painel elétrico

N° de material	Conexão G	R1	B1	D1	D2	D3	H1	H2	H3	H4
0821200003	G 1/2	G 1/2	40	27	25	27.5	120	50	17	40.5

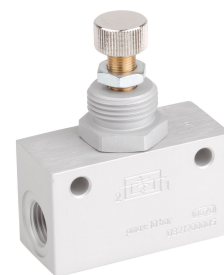
N° de material	H5	H6	H7	H8	H9	H10 1)	L1	L2	L3	R2
0821200003	15.5	9	38	6.5	8	9	75.3	45	14	M32x1,5

N° de material	SW1	SW2	Peso kg
0821200003	24	46	

1) Máx.

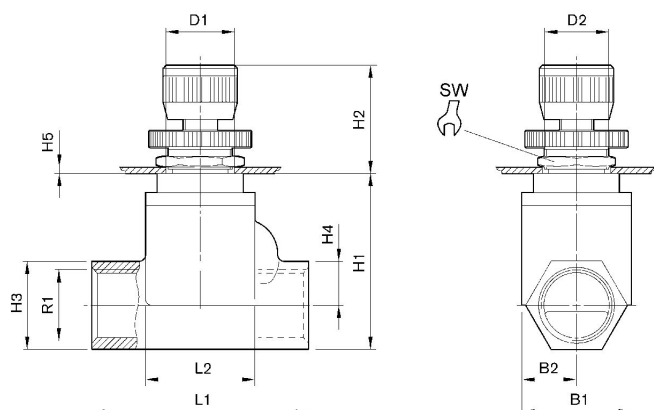
Série CC01

Rosca interna
Rosca interna



entrada	saída	Tipo conexão de ar comprimido entrada	Qn 1 > 2 [l/min]	N° de material
G 3/4	G 3/4	Rosca interna	5400	0821200015
G 1	G 1	Rosca interna	5600	0821200016

Dimensões



N° de material	Conexão G	R1	B1	B2	D1	D2	H1	H2	H3	H4
0821200015	G 3/4	G 3/4	50	25	30.5	30	82	47-57,5	41	20.5
0821200016	G 1	G 1	50	25	30.5	30	82	47-57,5	41	20.5

N° de material	H5 1)	L1	L2	SW
0821200015	6	100	51	36
0821200016	6	100	51	36

1) Máx.

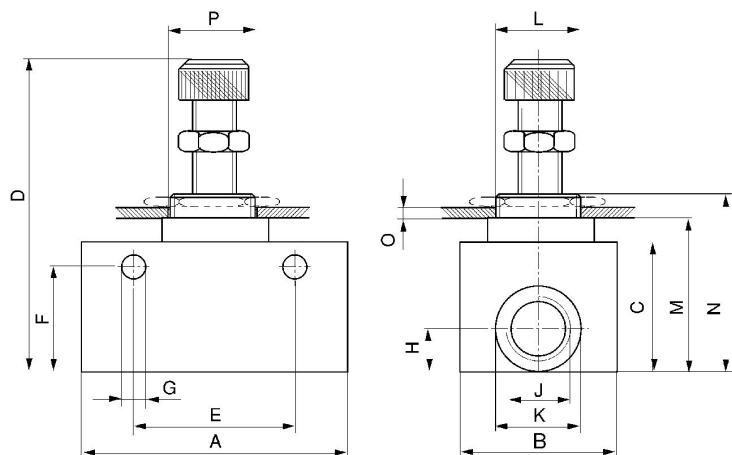
Série CC01

Rosca interna
Rosca interna



entrada	saída	Tipo conexão de ar comprimido entrada	Qn 1 > 2 [l/min]	N° de material
M5	M5	Rosca interna	130	5341120000
G 1/8	G 1/8	Rosca interna	100	5341121100
G 1/4	G 1/4	Rosca interna	500	5341122100
G 3/8	G 3/8	Rosca interna	1300	5341123100
G 1/2	G 1/2	Rosca interna	1650	5341124100

Dimensões



N° de material	Conexão G	J	A	B	C	D	E	F	Ø G	H
5341120000	M5	M5	26	14	16	40-45	18	12.5	4.4	6
5341121100	G 1/8	G 1/8	32	16	22	44-56	24	18	4.3	10
5341122100	G 1/4	G 1/4	55	25	32	66-74	35	25	6.4	12
5341123100	G 3/8	G 3/8	58	30	40	78-93	44	33	6.6	14
5341124100	G 1/2	G 1/2	68	30	40	77-92	50	33	6.4	14

N° de material	Ø K	L	M	N	O	Ø P
5341120000	8.7	M10x1	20	26	2	10.5
5341121100	14.4	M12x1	26	33.6	2	12.5
5341122100	19.5	M20x1,5	37.8	47.9	3	20.5
5341123100	23	M24x1,5	47	57	3	25

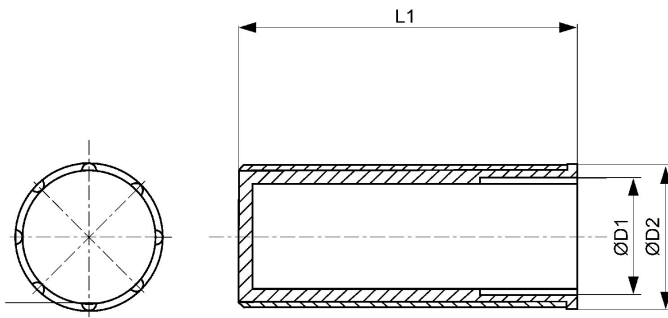
N° de material	Ø K	L	M	N	O	Ø P
5341124100	27.5	M24x1,5	47	57	3	25

Tampa de proteção



Unidade de fornecimento [Peça]	N° de material
10	1823317003
10	1823317002

Dimensões



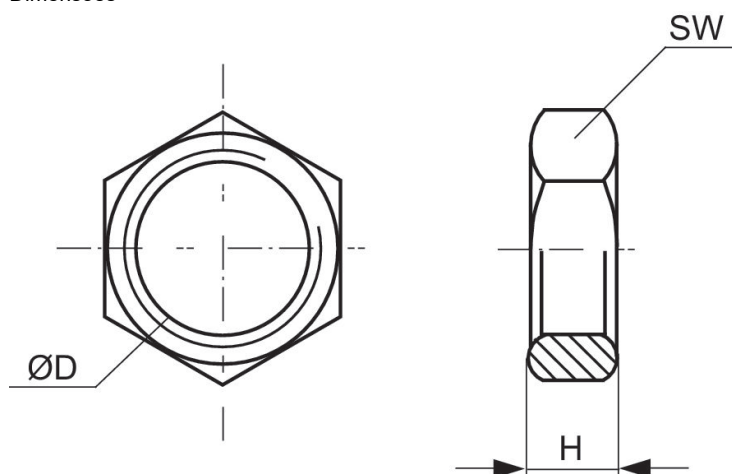
N° de material	Ø D1	Ø D2	L1
1823317003	M12x1	15	35
1823317002	M20x1,5	24	40

Porca com sextavado para instalação de painel elétrico



Unidade de fornecimento [Peça]	N° de material
10	1823300009
5	1823300010

Dimensões



N° de material	Ø D	H	SW
1823300028	M12x1	4	17
1823300009	M20x1,5	6	24
1823300010	M32x1,5	9	46

Efficient pneumatic solutions, our program: cylinders and drives, valves and valve systems, air supply management



Visit us: [Emerson.com/Aventics](https://www.emerson.com/Aventics)

Your local contact: [Emerson.com/contactus](https://www.emerson.com/contactus)



[Emerson.com](https://www.emerson.com)



[Facebook.com/EmersonAutomationSolutions](https://www.facebook.com/EmersonAutomationSolutions)



[LinkedIn.com/company/Emerson-Automation-Solutions](https://www.linkedin.com/company/Emerson-Automation-Solutions)



[Twitter.com/EMR_Automation](https://twitter.com/EMR_Automation)

An example configuration is depicted on the title page. The delivered product may thus vary from that in the illustration. Subject to change. This Document, as well as the data, specifications and other information set forth in it, are the exclusive property of AVENTICS GmbH. It may not be reproduced or given to third parties without its consent. Only use the AVENTICS products shown in industrial applications. Read the product documentation completely and carefully before using the product. Observe the applicable regulations and laws of the respective country. When integrating the product into applications, note the system manufacturer's specifications for safe use of the product. The data specified only serve to describe the product. No statements concerning a certain condition or suitability for a certain application can be derived from our information. The information given does not release the user from the obligation of own judgment and verification. It must be remembered that the products are subject to a natural process of wear and aging.

The Emerson logo is a trademark and service mark of Emerson Electric Co. Brand logotype are registered trademarks of one of the Emerson family of companies. All other marks are the property of their respective owners. © 2019 Emerson Electric Co. All rights reserved.



CONSIDER IT SOLVED™