

Série 344, à prova de ácido



AVENTICS™

**AVENTICS série 344 Válvula de
retenção-estrangulamento**


EMERSON™

Série 344, à prova de ácido

As válvulas de retenção-estrangulamento em aço inoxidável AVENTICS série 344 são resistentes a ácido e podem ser usadas mesmo com ar comprimido e óleo até 120 °C.

- $Q_n = 280 \text{ l/min} \dots 16000 \text{ l/min}$

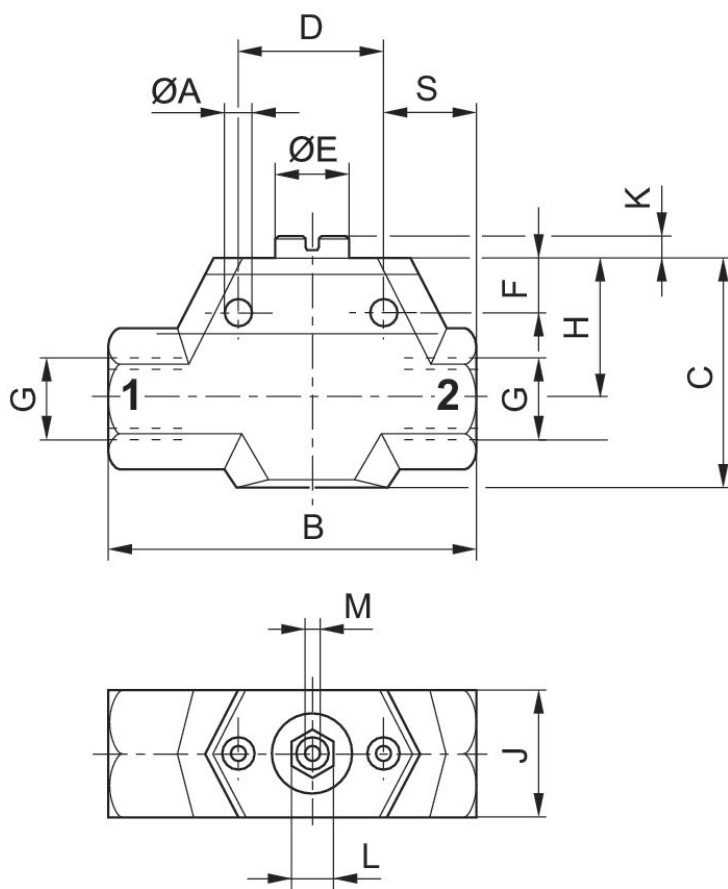


Válvula de estrangulamento de retenção, Série 344



Conexão de ar comprimido 1	Fluxo nominal Qn 2 para 1 [l/min]	Material de caixa	Nº de material
G 1/8	280	Aço inoxidável	2992344110
G 1/4	1040	Aço inoxidável	2992344120
G 3/8	1960	Aço inoxidável	2992344125
G 1/2	5250	Aço inoxidável	2992344130
G 3/4	11340	Aço inoxidável	2992344140
G 1	16000	Aço inoxidável	2992344150

Dimensões



N° de material	Conexão G	B	C	D	E	F	#A	H	J	K
2992344110	G 1/8	46	29	20	9	9	4.5	19	17	1.5
2992344120	G 1/4	61	38	20	9	11	5.5	23	20	3.5
2992344125	G 3/8	80	55	30	14	13.5	5.5	31	27	9
2992344130	G 1/2	104	65	40	18	16.5	6.5	39.5	34	4
2992344140	G 3/4	142	87	50	28	21.5	8.5	51.5	42	9
2992344150	G 1	167	103	60	34	26	8.5	62	52	10.5

N° de material	L	M	S
2992344110	-	1.5	12
2992344120	-	1.5	15
2992344125	-	1.5	19
2992344130	10	-	24
2992344140	10	-	30
2992344150	10	-	32

Efficient pneumatic solutions, our program: cylinders and drives, valves and valve systems, air supply management



Visit us: [Emerson.com/Aventics](https://www.emerson.com/aventics)

Your local contact: [Emerson.com/contactus](https://www.emerson.com/contactus)



[Emerson.com](https://www.emerson.com)



[Facebook.com/EmersonAutomationSolutions](https://www.facebook.com/EmersonAutomationSolutions)



[LinkedIn.com/company/Emerson-Automation-Solutions](https://www.linkedin.com/company/Emerson-Automation-Solutions)



[Twitter.com/EMR_Automation](https://twitter.com/EMR_Automation)

An example configuration is depicted on the title page. The delivered product may thus vary from that in the illustration. Subject to change. This Document, as well as the data, specifications and other information set forth in it, are the exclusive property of AVENTICS GmbH. It may not be reproduced or given to third parties without its consent. Only use the AVENTICS products shown in industrial applications. Read the product documentation completely and carefully before using the product. Observe the applicable regulations and laws of the respective country. When integrating the product into applications, note the system manufacturer's specifications for safe use of the product. The data specified only serve to describe the product. No statements concerning a certain condition or suitability for a certain application can be derived from our information. The information given does not release the user from the obligation of own judgment and verification. It must be remembered that the products are subject to a natural process of wear and aging.

The Emerson logo is a trademark and service mark of Emerson Electric Co. Brand logotype are registered trademarks of one of the Emerson family of companies. All other marks are the property of their respective owners. © 2019 Emerson Electric Co. All rights reserved.



CONSIDER IT SOLVED™