

Series 344, acid-proof



AVENTICS™

**AVENTICS Series 344 Check-
Choke valve**


EMERSON™

Series 344, acid-proof

The AVENTICS Series 344 Stainless steel check choke valves are designed to be acid resistant can be used in even with compressed air and oil and up to 120°C.

- $Q_n = 280 \text{ l/min} \dots 16000 \text{ l/min}$

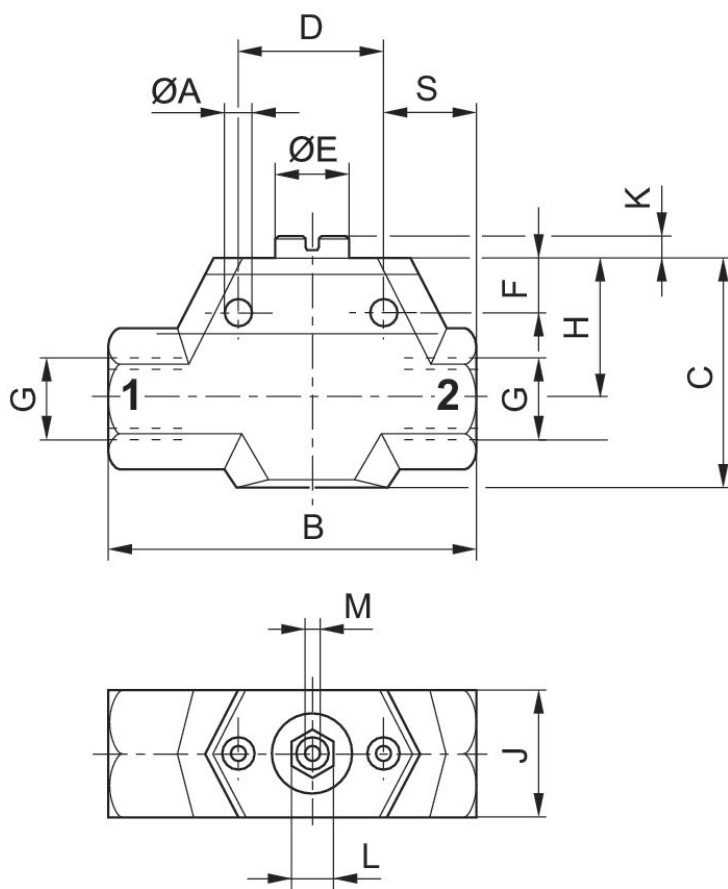


Check-choke valve, Series 344



Compressed air connection 1	Nominal flow Qn 2 to 1 [l/min]	Housing material	Part No.
G 1/8	280	Stainless Steel	2992344110
G 1/4	1040	Stainless Steel	2992344120
G 3/8	1960	Stainless Steel	2992344125
G 1/2	5250	Stainless Steel	2992344130
G 3/4	11340	Stainless Steel	2992344140
G 1	16000	Stainless Steel	2992344150

Dimensions



Part No.	Port G	B	C	D	E	F	#A	H	J	K
2992344110	G 1/8	46	29	20	9	9	4.5	19	17	1.5
2992344120	G 1/4	61	38	20	9	11	5.5	23	20	3.5
2992344125	G 3/8	80	55	30	14	13.5	5.5	31	27	9
2992344130	G 1/2	104	65	40	18	16.5	6.5	39.5	34	4
2992344140	G 3/4	142	87	50	28	21.5	8.5	51.5	42	9
2992344150	G 1	167	103	60	34	26	8.5	62	52	10.5

Part No.	L	M	S
2992344110	–	1.5	12
2992344120	–	1.5	15
2992344125	–	1.5	19
2992344130	10	–	24
2992344140	10	–	30
2992344150	10	–	32

Efficient pneumatic solutions, our program: cylinders and drives, valves and valve systems, air supply management



Visit us: [Emerson.com/Aventics](https://www.emerson.com/aventics)

Your local contact: [Emerson.com/contactus](https://www.emerson.com/contactus)



[Emerson.com](https://www.emerson.com)



[Facebook.com/EmersonAutomationSolutions](https://www.facebook.com/EmersonAutomationSolutions)



[LinkedIn.com/company/Emerson-Automation-Solutions](https://www.linkedin.com/company/Emerson-Automation-Solutions)



[Twitter.com/EMR_Automation](https://twitter.com/EMR_Automation)

An example configuration is depicted on the title page. The delivered product may thus vary from that in the illustration. Subject to change. This Document, as well as the data, specifications and other information set forth in it, are the exclusive property of AVENTICS GmbH. It may not be reproduced or given to third parties without its consent. Only use the AVENTICS products shown in industrial applications. Read the product documentation completely and carefully before using the product. Observe the applicable regulations and laws of the respective country. When integrating the product into applications, note the system manufacturer's specifications for safe use of the product. The data specified only serve to describe the product. No statements concerning a certain condition or suitability for a certain application can be derived from our information. The information given does not release the user from the obligation of own judgment and verification. It must be remembered that the products are subject to a natural process of wear and aging.

The Emerson logo is a trademark and service mark of Emerson Electric Co. Brand logotype are registered trademarks of one of the Emerson family of companies. All other marks are the property of their respective owners. © 2019 Emerson Electric Co. All rights reserved.



CONSIDER IT SOLVED™