

## Series SC01



**AVENTICS™**

**AVENTICS Series SC01 Stop  
valves**

  
**EMERSON™**

**Series SC01**

AVENTICS Series SC01 Stop valves are available even in 2/2 or 3/2 construction. SC01 stop valves control flow direction and support a diverse range of system requirements. Our ball valves are both reliable and robust when it comes to service and are available in various configurations and options.



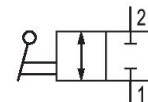
## Product overview

### Shut-off valves

	Page
2/2-way stop valve, Series SC01.....	4
2/2-way stop valve, Series SC01..... Heat resistant	6
3/2-way stop valve, Series SC01.....	8
3/4-way ball valve.....	10

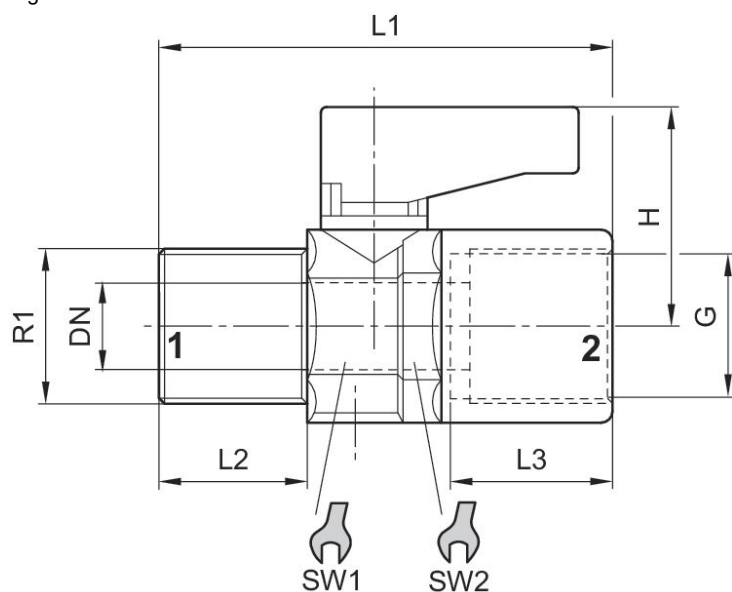
### 2/2-way stop valve, Series SC01

Compressed air connection type 2: Internal thread  
 Ambient temperature min./max.: -18 °C ... 80 °C  
 Medium temperature min./max.: -18 °C ... 80 °C  
 Working pressure min./max.: 0 bar ... 16 bar



Compressed air connection 1	Compressed air connection 2	Housing material	Fig.	Part No.
R 1/8	G 1/8	Brass	Fig. 1	1823391906
R 1/4	G 1/4	Brass	Fig. 1	1823391907
R 3/8	G 3/8	Brass	Fig. 1	1823391908
R 1/2	G 1/2	Brass	Fig. 1	R412010091
G 1/8	G 1/8	Brass	Fig. 2	1823391910
G 1/4	G 1/4	Brass	Fig. 2	1823391911
G 3/8	G 3/8	Brass	Fig. 2	1823391912

Fig. 1

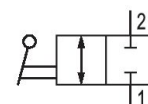


Part No.	Port G	R1	H	DN	L1	L2	L3	SW1	SW2
1823391906	G 1/8	R 1/8	21.5	5.5	36	8.6	8.6	14	15
1823391907	G 1/4	R 1/4	21.5	5.5	43	13.5	11.5	14	15
1823391908	G 3/8	R 3/8	22.5	8	46	13.5	11.8	18	19
R412010091	G 1/2	R1/2	30.5	10	57	16.5	15	22	23



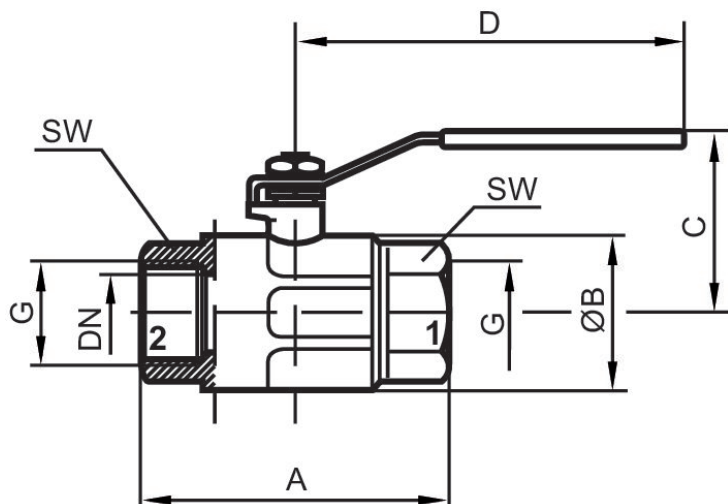
**2/2-way stop valve, Series SC01**

Compressed air connection type 2: Internal thread  
 Ambient temperature min./max.: -20 °C ... 150 °C  
 Medium temperature min./max.: -20 °C ... 150 °C  
 Working pressure min./max.: -0.8 bar



Compressed air connection 1	Compressed air connection 2	Housing material	Part No.
G 1/4	G 1/4	Brass	3520321500
G 3/8	G 3/8	Brass	3520322500
G 1/2	G 1/2	Brass	3520323500
G 3/4	G 3/4	Brass	3520324500
G 1	G 1	Brass	3520325500
G 1 1/4	G 1 1/4	Brass	3520326500
G 1 1/2	G 1 1/2	Brass	3520327500
G 2	G 2	Brass	3520328500

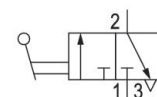
Dimensions



Part No.	Port G	DN	A	$\varnothing B$	C	D	SW
3520321500	G 1/4	10	49.5	23.5	41.5	85.5	18
3520322500	G 3/8	10	52.5	24	41.5	85.5	21
3520323500	G 1/2	15	61	30.5	49.8	92.5	25
3520324500	G 3/4	20	68	37	56.3	113.5	31
3520325500	G 1	25	85	45.5	60.3	113.5	38
3520326500	G 1 1/4	32	99.5	58	76.5	138	47
3520327500	G 1 1/2	40	109	71	92	158	54
3520328500	G 2	50	130	85	99	158	66

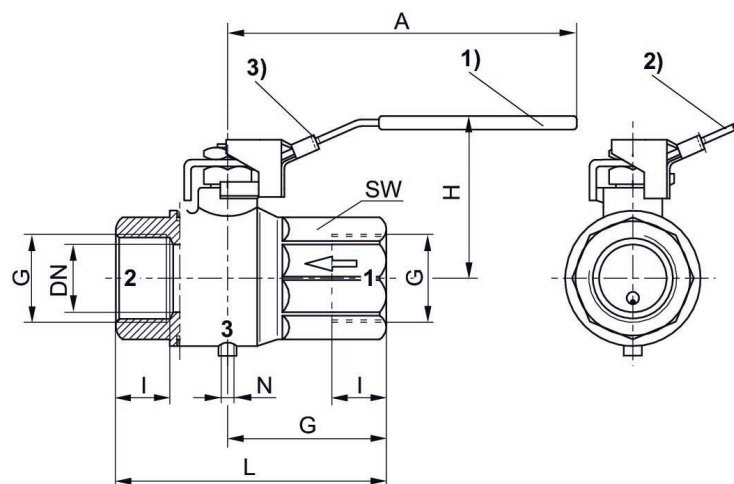
**3/2-way stop valve, Series SC01**

Compressed air connection type 2: Internal thread  
 Ambient temperature min./max.: -10 °C ... 100 °C  
 Medium temperature min./max.: -10 °C ... 100 °C  
 Working pressure min./max.: 0 bar ... 14 bar



Compressed air connection 1	Compressed air connection 2	Housing material	Part No.
G 1/8	G 1/8	Brass	R412010526
G 1/4	G 1/4	Brass	R412010527
G 3/8	G 3/8	Brass	R412010528
G 1/2	G 1/2	Brass	R412010529
G 3/4	G 3/4	Brass	R412010530
G 1	G 1	Brass	R412010531

Dimensions



1) Open 2) Closed  
 3) Fitting for padlock (max. bracket Ø 7 mm)  
 Note: Can only be locked when closed!  
 Padlock not included in the scope of delivery.

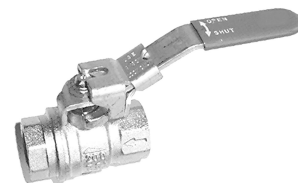
Part No.	Port G	DN	A	G	H	I	L	N	SW
R412010526	G 1/8	8	95.5	22.5	47	8	45	M5	20
R412010527	G 1/4	8	95.5	22.5	47	12	45	M5	20
R412010528	G 3/8	10	95.5	22.5	47	12	45	M5	20
R412010529	G 1/2	15	95.5	29.5	51.5	15.5	59	M5	25
R412010530	G 3/4	20	116	32	59	17	64	M5	31
R412010531	G 1	25	116	40.5	63	21	81	M5	40

### 3/4-way ball valve

Ambient temperature min./max.: -10 °C ... 100 °C

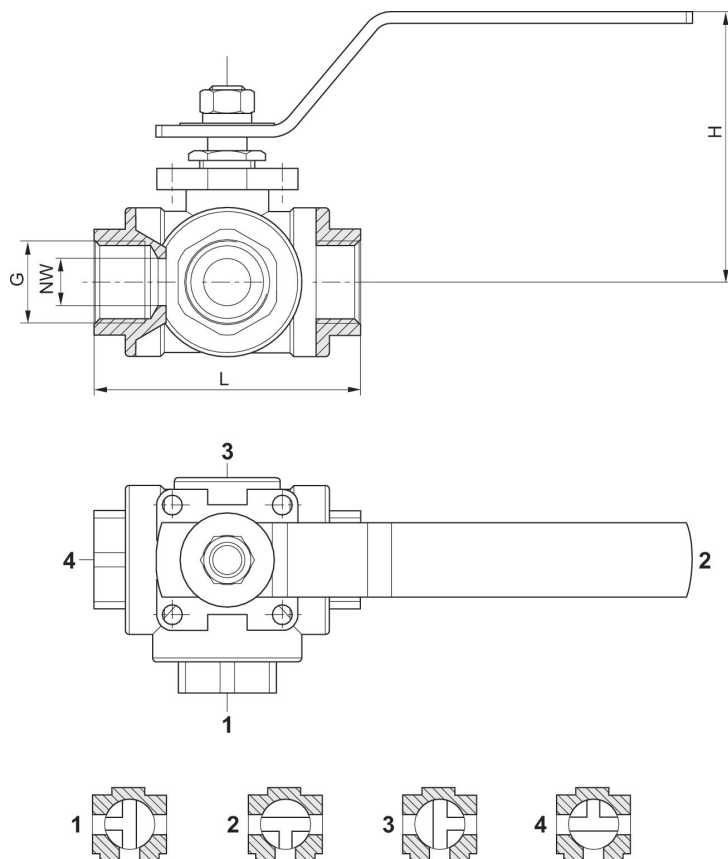
Medium temperature min./max.: -10 °C ... 100 °C

Working pressure min./max.: 0 bar ... 14 bar



	Compressed air connection 1	Housing material	Part No.
	G 1/4	Stainless Steel	R412010722
	G 1/2	Stainless Steel	R412010723

#### Dimensions







Part No.	Port G	G	NW	L	H
R412010722	G 1/4	G 1/4	8	79	63
R412010723	G 1/2	G 1/2	12	68	66

Efficient pneumatic solutions, our program:  
cylinders and drives, valves and valve systems,  
air supply management, proportional pressure  
control valves



Visit us: [www.Emerson.com/aventics](http://www.Emerson.com/aventics)  
Your local contact: [Emerson.com/contactus](http://Emerson.com/contactus)

-  [Emerson.com](http://Emerson.com)
-  [Facebook.com/EmersonAutomationSolutions](https://Facebook.com/EmersonAutomationSolutions)
-  [LinkedIn.com/company/Emerson-Automation-Solutions](https://LinkedIn.com/company/Emerson-Automation-Solutions)
-  [Twitter.com/EMR\\_Automation](https://Twitter.com/EMR_Automation)



The Emerson logo is a trademark and service mark of Emerson Electric Co. AVENTICS is a registered trademark of one of the Emerson family of companies. All other trademarks are the property of their respective owners. © 2020 Emerson Electric Co. All rights reserved.



**CONSIDER IT SOLVED™**