

Serie QR1



AVENTICS™

**Válvulas de cierre AVENTICS
serie QR1**


EMERSON™

Serie QR1

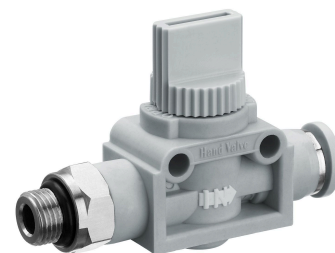
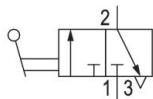
La válvula de cierre AVENTICS serie QR1 está diseñada para los procesos relevantes para la seguridad, las válvulas activan el bloqueo manual del suministro de aire para detener de inmediato la carrera de trabajo.

- $Q_n = 500 \text{ l/min} \dots 2600 \text{ l/min}$
- A causa de la optimización del producto, el artículo suministrado puede diferir de las dimensiones representadas.



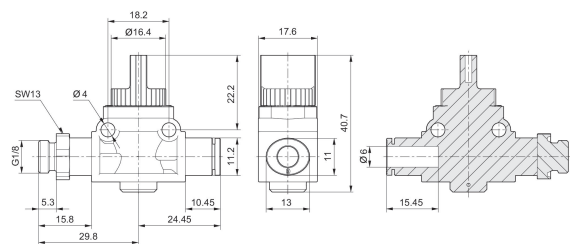
Serie QR1-AGS

rosca exterior
Racor instantáneo

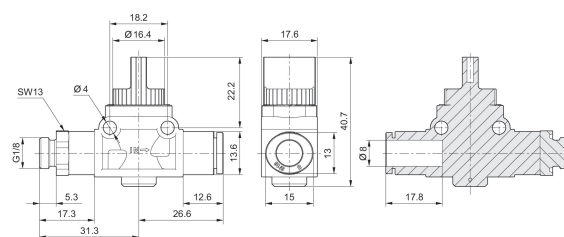


Conexión de aire comprimido 1	Conexión de aire comprimido 2	Caudal [l/min]	Material carcasa	N° de material
G 1/8	Ø 6	500	Poliamida	R412005470
G 1/8	Ø 8	550	Poliamida	R412005471
G 1/4	Ø 6	500	Poliamida	R412005472
G 1/4	Ø 8	550	Poliamida	R412005473
G 1/4	Ø 10	1500	Poliamida	R412005474
G 1/4	Ø 12	1600	Poliamida	R412005475

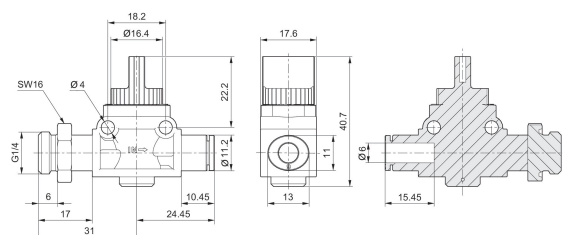
R412005470



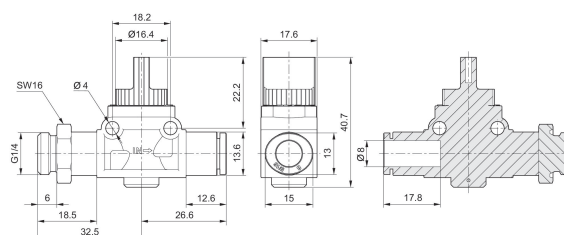
R412005471



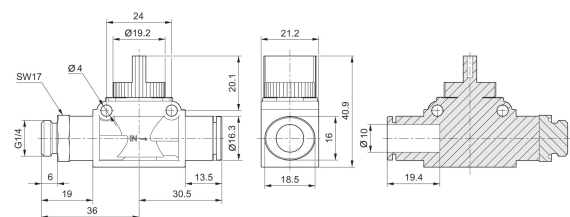
R412005472



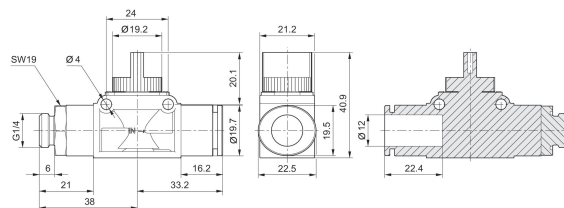
R412005473



R412005474

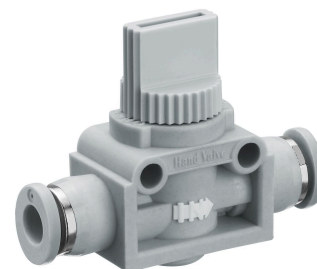
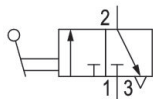


R412005475



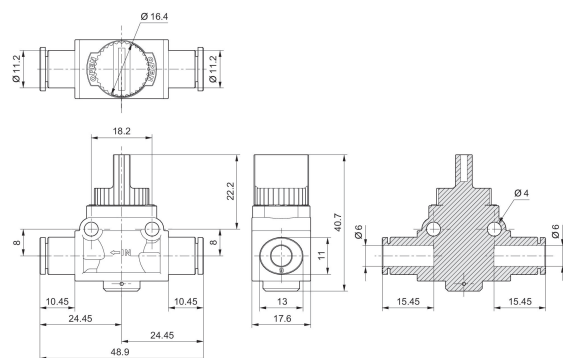
Serie QR1-ASC

Racor instantáneo
Racor instantáneo

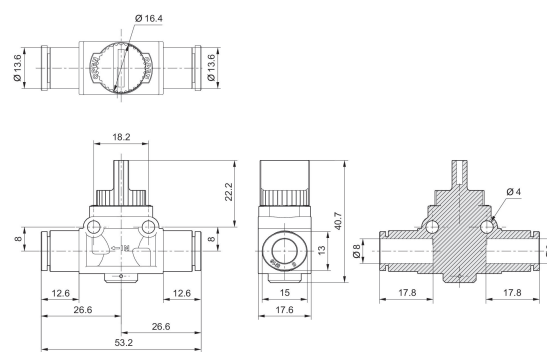


Conexión de aire comprimido 1	Conexión de aire comprimido 2	Material carcasa	N° de material
Ø 6	Ø 6	Poliamida	R412005482
Ø 8	Ø 8	Poliamida	R412005483
Ø 10	Ø 10	Poliamida	R412005484
Ø 12	Ø 12	Poliamida	R412005485

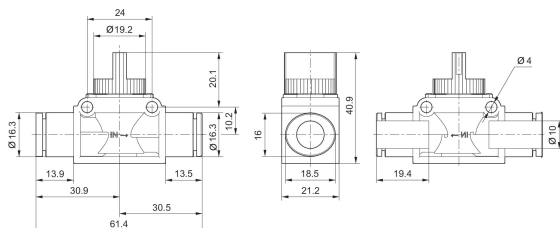
R412005482



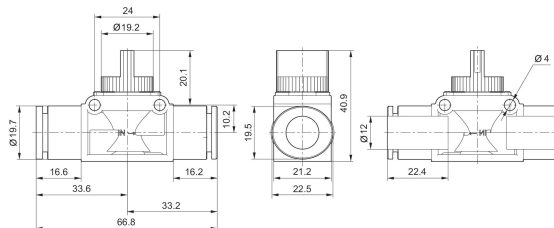
R412005483



R412005484

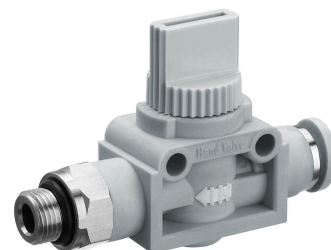
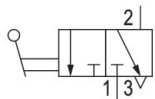


R412005485



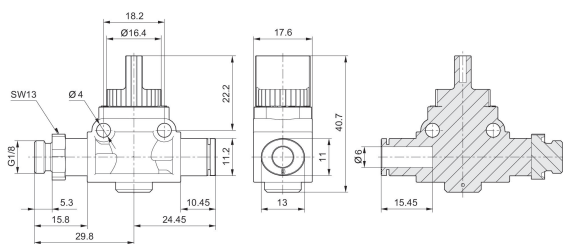
Serie QR1-ASG

rosca exterior
Racor instantáneo

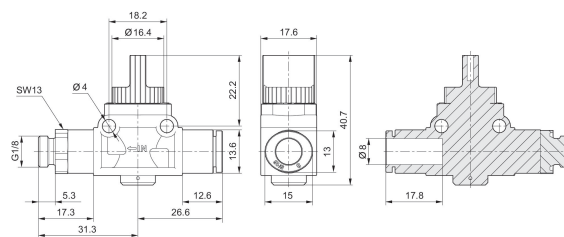


Conexión de aire comprimido 1	Conexión de aire comprimido 2	Material carcasa	N° de material
G 1/8	Ø 6	Poliamida	R412005459
G 1/8	Ø 8	Poliamida	R412005460
G 1/4	Ø 6	Poliamida	R412005461
G 1/4	Ø 8	Poliamida	R412005462

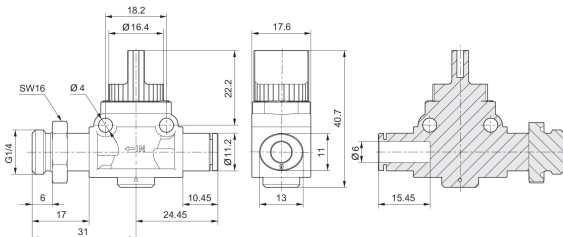
R412005459



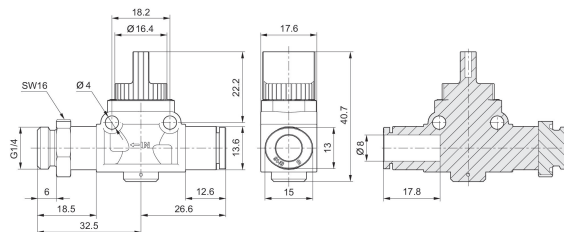
R412005460



R412005461

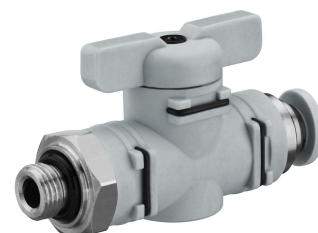
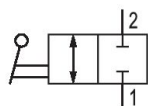


R412005462



Ilave de bola, Serie QR1-BGS

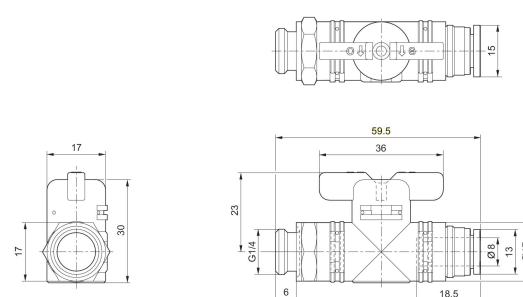
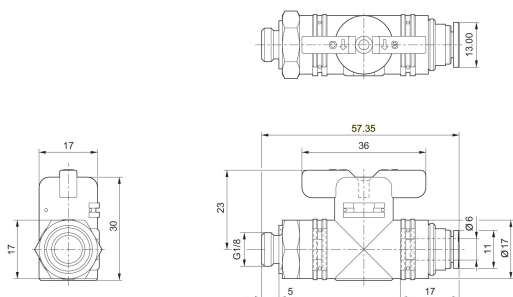
Racor instantáneo
Racor instantáneo



Conexión de aire comprimido 1	Conexión de aire comprimido 2	Material carcasa	N° de material
G 1/8	Ø 6	sulfuro de polifenileno	R412005490
G 1/4	Ø 8	sulfuro de polifenileno	R412005493
G 1/4	Ø 10	sulfuro de polifenileno	R412005494
G 1/4	Ø 12	sulfuro de polifenileno	R412005495
G 3/8	Ø 10	sulfuro de polifenileno	R412005498
G 1/2	Ø 12	sulfuro de polifenileno	R412005501

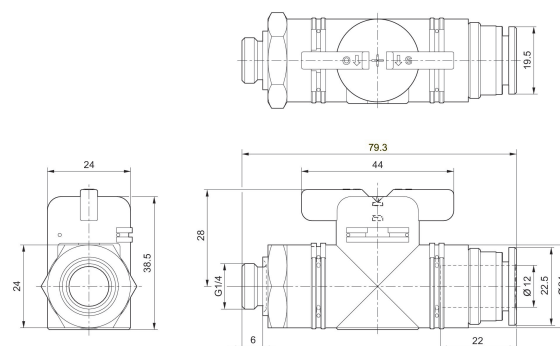
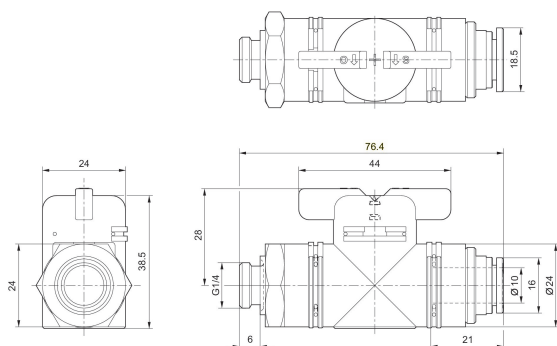
R412005490

R412005493

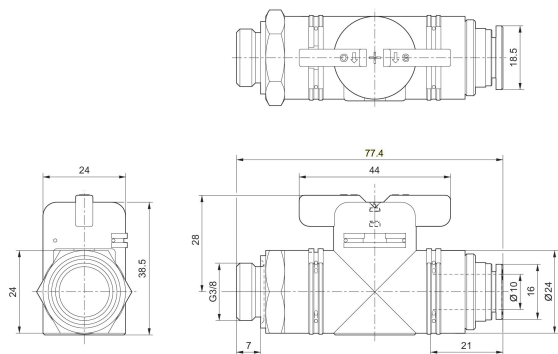


R412005494

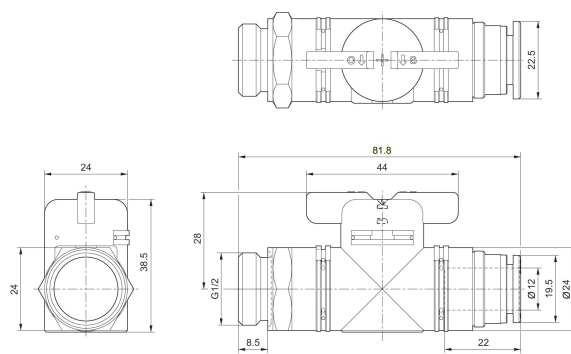
R412005495



R412005498

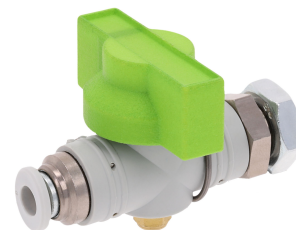


R412005501



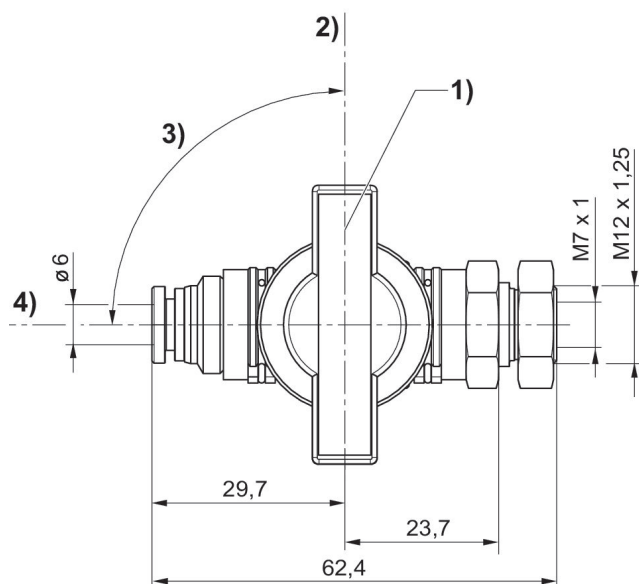
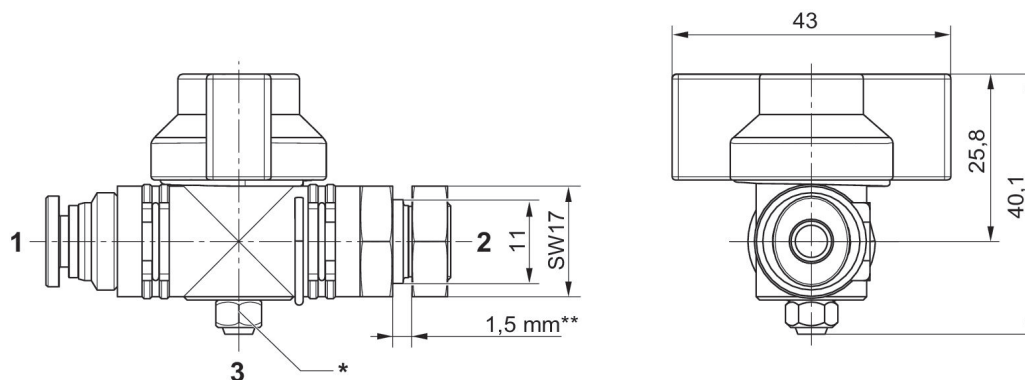
Ilave de bola, Serie QR1-BSK

Racor instantáneo
Racor instantáneo



Conexión de aire comprimido 1	Conexión de aire comprimido 2	Material carcasa	N° de material
Ø 6	M7x1, M12x1,25	polibutilenotereftalato	R414010278

Dimensiones



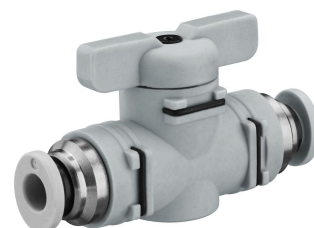
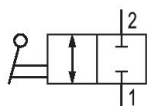
* Escape M5

** Medida de unión mín. para fijación

- 1) Posición de palanca con grifo cerrado
- 2) cerrado
- 3) Tope a 90°
- 4) Abierto

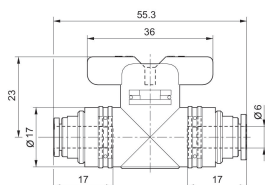
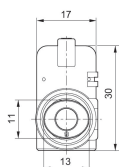
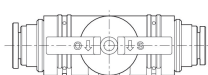
Ilave de bola, Serie QR1-BSK

Racor instantáneo
Racor instantáneo

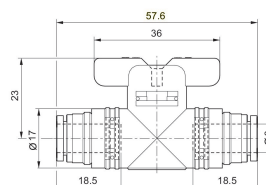
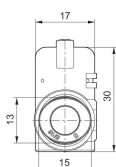
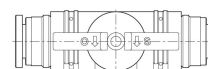


Conexión de aire comprimido 1	Conexión de aire comprimido 2	Material carcasa	N° de material
Ø 6	Ø 6	sulfuro de polifenileno	R412005502
Ø 8	Ø 8	sulfuro de polifenileno	R412005503
Ø 10	Ø 10	sulfuro de polifenileno	R412005504
Ø 12	Ø 12	sulfuro de polifenileno	R412005505

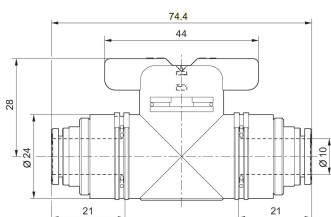
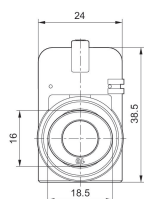
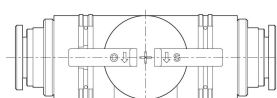
R412005502



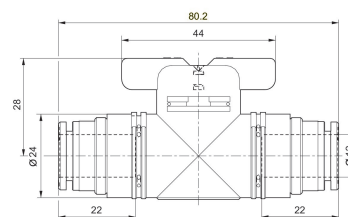
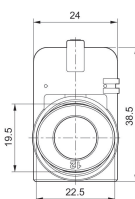
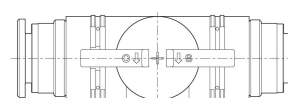
R412005503



R412005504

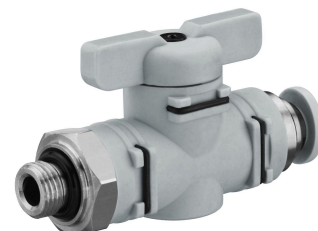


R412005505



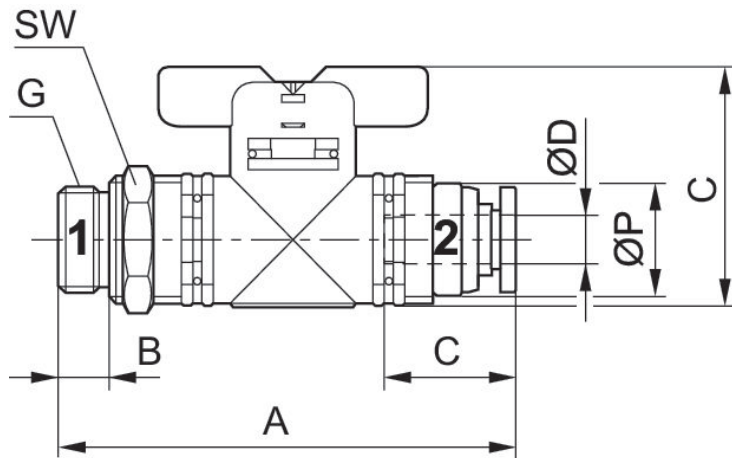
Ilave de bola, Serie QR1-BGS

Racor instantáneo
Racor instantáneo



Conexión de aire comprimido 1	Conexión de aire comprimido 2	Material carcasa	N° de material
1/8 NPT	Ø1/4	polibutilenotereftalato	R432000366
1/8 NPT	Ø5/16	polibutilenotereftalato	R432000369
1/4 NPT	Ø1/4	polibutilenotereftalato	R432000365
1/4 NPT	Ø5/16	polibutilenotereftalato	R432000368
1/4 NPT	Ø 3/8	polibutilenotereftalato	R432000375
1/4 NPT	Ø1/2	polibutilenotereftalato	R432000372
3/8 NPT	Ø1/4	polibutilenotereftalato	R432000367
3/8 NPT	Ø5/16	polibutilenotereftalato	R432000370
3/8 NPT	Ø 3/8	polibutilenotereftalato	R432000376
3/8 NPT	Ø1/2	polibutilenotereftalato	R432000373
1/2 NPT	Ø 3/8	polibutilenotereftalato	R432000374
1/2 NPT	Ø1/2	polibutilenotereftalato	R432000371

Dimensiones en pulgadas



Dimensiones en pulgadas

N° de material	Orificio G	Ø D	A	B	C	E	SW	Ø P
R432000366	1/8 NPT	Ø1/4	2.38	0.315	0.67	0.906	11/16	0.67
R432000369	1/8 NPT	Ø5/16	2.376	0.315	0.729	0.906	11/16	0.67

N° de material	Orificio G	Ø D	A	B	C	E	SW	Ø P
R432000365	1/4 NPT	Ø1/4	2.498	0.433	0.67	0.906	11/16	0.67
R432000368	1/4 NPT	Ø5/16	2.494	0.433	0.729	0.906	11/16	0.67
R432000375	1/4 NPT	Ø 3/8	3.247	0.433	0.827	1.103	31/32	0.945
R432000372	1/4 NPT	Ø1/2	3.264	0.433	0.887	1.103	31/32	0.945
R432000367	3/8 NPT	Ø1/4	2.537	0.473	0.67	0.906	11/16	0.67
R432000370	3/8 NPT	Ø5/16	2.533	0.473	0.729	0.906	11/16	0.67
R432000376	3/8 NPT	Ø 3/8	3.286	0.473	0.827	1.103	31/32	0.945
R432000373	3/8 NPT	Ø1/2	3.304	0.473	0.887	1.103	31/32	0.945
R432000374	1/2 NPT	Ø 3/8	3.444	0.591	0.82721	1.103	31/32	0.945
R432000371	1/2 NPT	Ø1/2	3.461	0.591	0.887	1.103	31/32	0.945

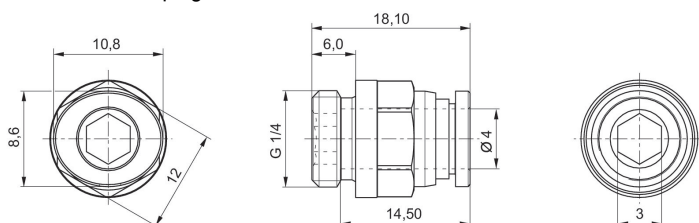
Ilave de bola acodada, Serie QR1-BWG

rosca exterior
Racor instantáneo



Conexión de aire comprimido 1	Conexión de aire comprimido 2	Material carcasa	N° de material
1/8 NPT	Ø1/4	polibutilenotereftalato	R432000378
1/8 NPT	Ø5/16	polibutilenotereftalato	R432000381
1/4 NPT	Ø1/4	polibutilenotereftalato	R432000377
1/4 NPT	Ø5/16	polibutilenotereftalato	R432000380
1/4 NPT	Ø 3/8	polibutilenotereftalato	R432000387
1/4 NPT	Ø1/2	polibutilenotereftalato	R432000384
3/8 NPT	Ø1/4	polibutilenotereftalato	R432000379
3/8 NPT	Ø5/16	polibutilenotereftalato	R432000382
3/8 NPT	Ø 3/8	polibutilenotereftalato	R432000388
3/8 NPT	Ø1/2	polibutilenotereftalato	R432000385
1/2 NPT	Ø 3/8	polibutilenotereftalato	R432000386
1/2 NPT	Ø1/2	polibutilenotereftalato	R432000383

Dimensiones en pulgadas



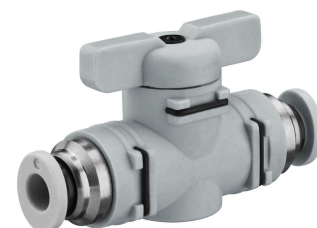
Dimensiones en pulgadas

N° de material	G	Ø D	A1	A2	B	C	L	SW	Ø P
R432000378	1/8 NPT	Ø1/4	2.118	1.172	0.315	0.67	1.212	11/16	0.67
R432000381	1/8 NPT	Ø5/16	2.118	1.192	0.315	0.729	1.212	11/16	0.67
R432000377	1/4 NPT	Ø1/4	2.236	1.172	0.433	0.67	1.212	11/16	0.67
R432000380	1/4 NPT	Ø5/16	2.236	1.192	0.433	0.729	1.212	11/16	0.67
R432000387	1/4 NPT	Ø 3/8	2.84	1.58	0.433	0.827	1.738	31/32	0.945
R432000384	1/4 NPT	Ø1/2	2.84	1.576	0.433	0.887	1.738	31/32	0.945
R432000379	3/8 NPT	Ø1/4	2.275	1.172	0.473	0.67	1.212	11/16	0.67
R432000382	3/8 NPT	Ø5/16	2.275	1.192	0.473	0.729	1.212	11/16	0.67

N° de material	G	Ø D	A1	A2	B	C	L	SW	Ø P
R432000388	3/8 NPT	Ø 3/8	2.88	1.58	0.473	0.827	1.777	31/32	0.945
R432000385	3/8 NPT	Ø 1/2	2.88	1.576	0.473	0.887	1.777	31/32	0.945
R432000386	1/2 NPT	Ø 3/8	3.038	1.58	0.591	0.827	1.935	31/32	0.945
R432000383	1/2 NPT	Ø 3/8	3.038	1.576	0.591	0.887	1.935	31/32	0.945

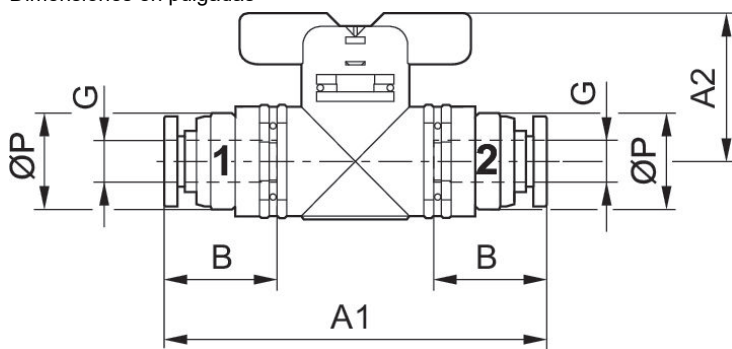
Ilave de bola, Serie QR1-BSK

Racor instantáneo
Racor instantáneo



Conexión de aire comprimido 1	Conexión de aire comprimido 2	Material carcasa	N° de material
Ø1/4	Ø1/4	polibutilotereftalato	R432000406
Ø5/16	Ø5/16	polibutilotereftalato	R432000408
Ø 3/8	Ø 3/8	polibutilotereftalato	R432000407
Ø1/2	Ø1/2	polibutilotereftalato	R432000405

Dimensiones en pulgadas

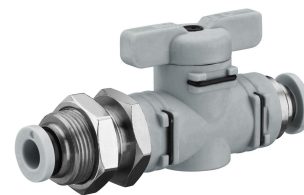


Dimensiones en pulgadas

N° de material	Orificio G	A1	A2	B	Ø P
R432000406	Ø1/4	2.34	0.906	0.67	0.67
R432000408	Ø5/16	2.332	0.906	0.729	0.67
R432000407	Ø 3/8	3.089	1.103	0.827	0.945
R432000405	Ø1/2	3.124	1.103	0.827	0.945

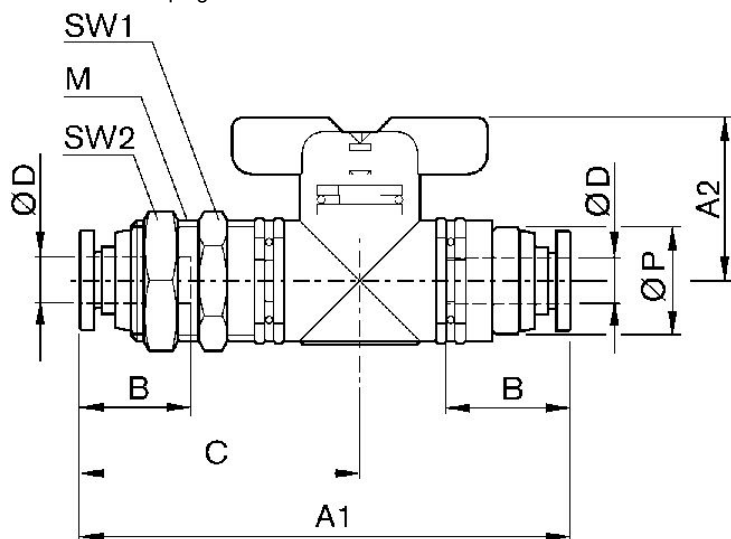
Ilave de bola pasatabiques, Serie QR1-BSS

Racor instantáneo
Racor instantáneo



Conexión de aire comprimido 1	Conexión de aire comprimido 2	Material carcasa	N° de material
Ø1/4	Ø1/4	polibutilenotereftalato	R432000401
Ø5/16	Ø1/4	polibutilenotereftalato	R432000403
Ø5/16	Ø5/16	polibutilenotereftalato	R432000404
Ø 3/8	Ø 3/8	polibutilenotereftalato	R432000402
Ø1/2	Ø 3/8	polibutilenotereftalato	R432000400

Dimensiones en pulgadas



Dimensiones en pulgadas

N° de material	Ø D1	Ø D2	M	A1	A2	B	C	SW1	SW2	Ø P
R432000401	Ø1/4	Ø1/4	UNF 5/8	2.9	0.906	0.67	1.73	3/4	3/4	0.67
R432000403	Ø5/16	Ø1/4	UNF 5/8	2.92	0.906	0.729	1.749	3/4	3/4	0.67
R432000404	Ø5/16	Ø5/16	UNF 5/8	2.92	0.906	0.729	1.749	3/4	3/4	0.67
R432000402	Ø 3/8	Ø1/4	UNF 7/8	3.7	1.103	0.827	2.191	1	1	0.945
R432000400	Ø1/2	Ø1/4	UNF 7/8	3.684	1.103	0.827	2.191	1	1	0.945

Efficient pneumatic solutions, our program: cylinders and drives, valves and valve systems, air supply management



Visit us: [Emerson.com/Aventics](https://www.emerson.com/aventics)

Your local contact: [Emerson.com/contactus](https://www.emerson.com/contactus)



[Emerson.com](https://www.emerson.com)



[Facebook.com/EmersonAutomationSolutions](https://www.facebook.com/EmersonAutomationSolutions)



[LinkedIn.com/company/Emerson-Automation-Solutions](https://www.linkedin.com/company/Emerson-Automation-Solutions)



[Twitter.com/EMR_Automation](https://twitter.com/EMR_Automation)

An example configuration is depicted on the title page. The delivered product may thus vary from that in the illustration. Subject to change. This Document, as well as the data, specifications and other information set forth in it, are the exclusive property of AVENTICS GmbH. It may not be reproduced or given to third parties without its consent. Only use the AVENTICS products shown in industrial applications. Read the product documentation completely and carefully before using the product. Observe the applicable regulations and laws of the respective country. When integrating the product into applications, note the system manufacturer's specifications for safe use of the product. The data specified only serve to describe the product. No statements concerning a certain condition or suitability for a certain application can be derived from our information. The information given does not release the user from the obligation of own judgment and verification. It must be remembered that the products are subject to a natural process of wear and aging.

The Emerson logo is a trademark and service mark of Emerson Electric Co. Brand logotype are registered trademarks of one of the Emerson family of companies. All other marks are the property of their respective owners. © 2019 Emerson Electric Co. All rights reserved.



CONSIDER IT SOLVED™