

## Serie QR1



**AVENTICS™**

**Valvole di arresto serie QR1  
AVENTICS**

  
**EMERSON™**

## Serie QR1

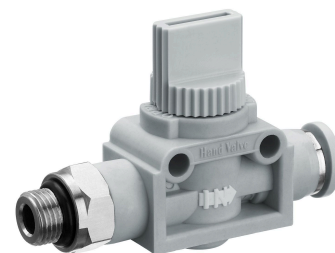
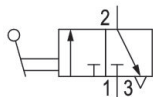
Le valvole di arresto serie QR1 AVENTICS sono progettate per processi in cui la sicurezza è importante. Le valvole consentono il blocco manuale dell'aria di alimentazione per arrestare immediatamente la corsa.

- $Q_n = 500 \text{ l/min} \dots 2600 \text{ l/min}$
- A seguito dell'ottimizzazione del prodotto, l'articolo consegnato può differire attualmente dalle dimensioni rappresentate.



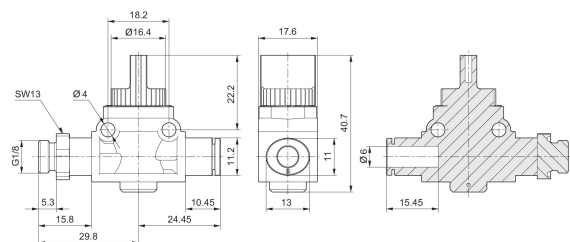
**Serie QR1-AGS**

filettatura esterna  
Raccordo ad innesto

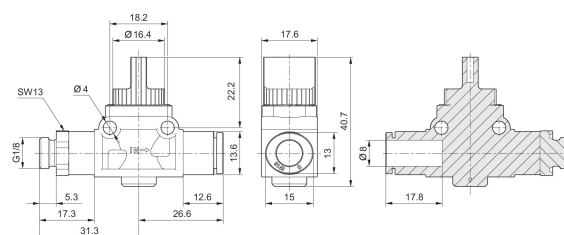


Raccordo aria compressa 1	Raccordo aria compressa 2	Portata [l/min]	Materiale corpo	Codice
G 1/8	Ø 6	500	Poliammide	R412005470
G 1/8	Ø 8	550	Poliammide	R412005471
G 1/4	Ø 6	500	Poliammide	R412005472
G 1/4	Ø 8	550	Poliammide	R412005473
G 1/4	Ø 10	1500	Poliammide	R412005474
G 1/4	Ø 12	1600	Poliammide	R412005475

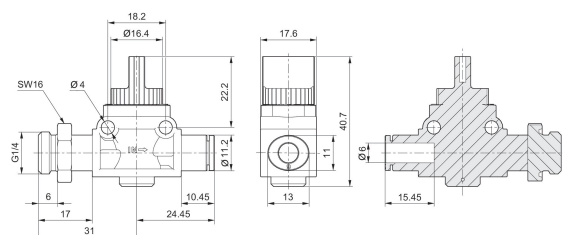
**R412005470**



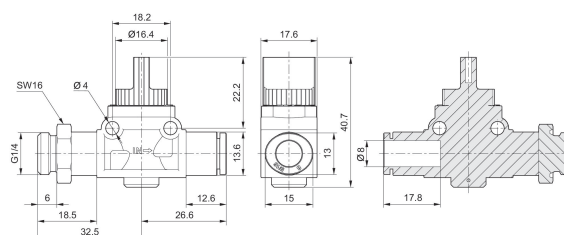
**R412005471**



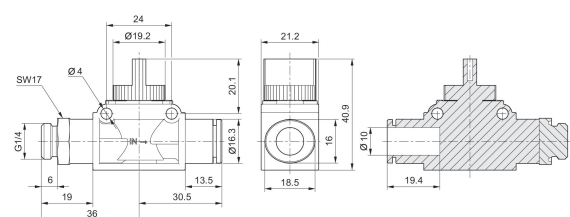
**R412005472**



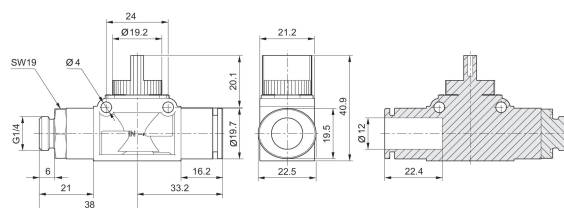
**R412005473**



**R412005474**

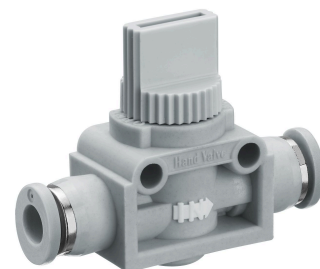
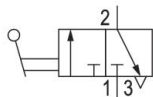


**R412005475**



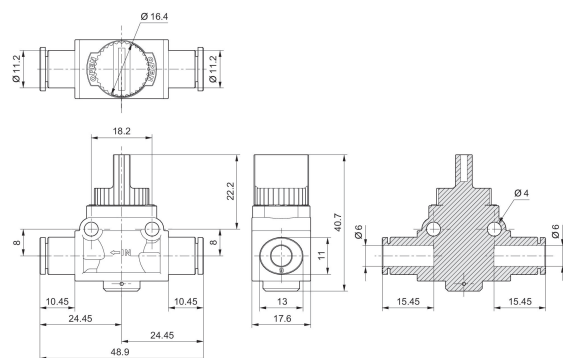
**Serie QR1-ASC**

Raccordo ad innesto  
Raccordo ad innesto

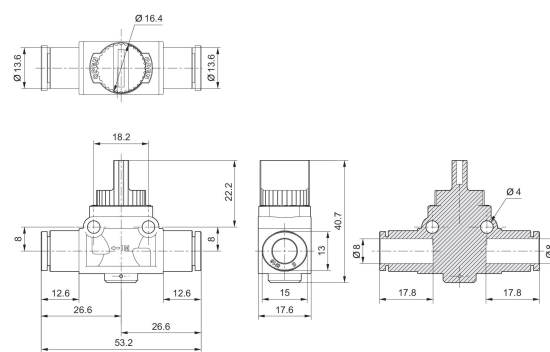


Raccordo aria compressa 1	Raccordo aria compressa 2	Materiale corpo	Codice
Ø 6	Ø 6	Poliammide	R412005482
Ø 8	Ø 8	Poliammide	R412005483
Ø 10	Ø 10	Poliammide	R412005484
Ø 12	Ø 12	Poliammide	R412005485

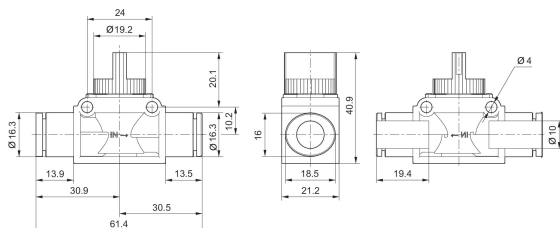
**R412005482**



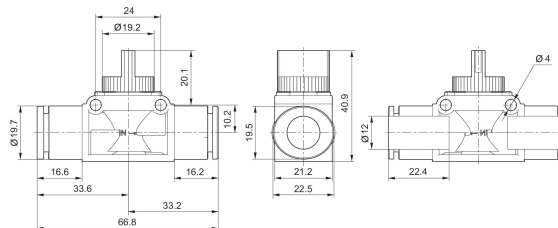
**R412005483**



**R412005484**

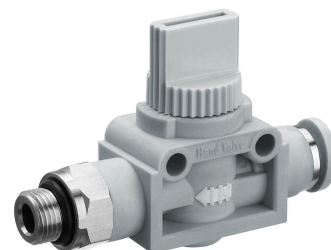
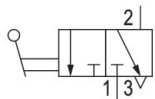


**R412005485**



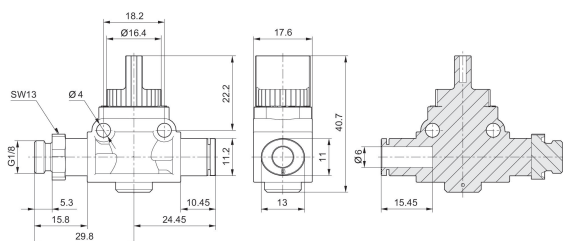
**Serie QR1-ASG**

filettatura esterna  
Raccordo ad innesto

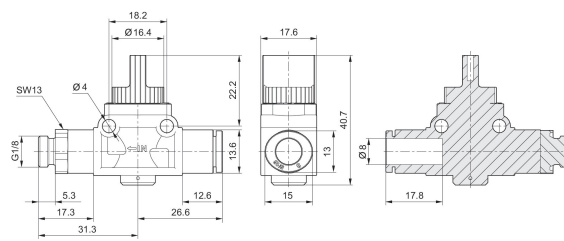


Raccordo aria compressa 1	Raccordo aria compressa 2	Materiale corpo	Codice
G 1/8	Ø 6	Poliammide	R412005459
G 1/8	Ø 8	Poliammide	R412005460
G 1/4	Ø 6	Poliammide	R412005461
G 1/4	Ø 8	Poliammide	R412005462

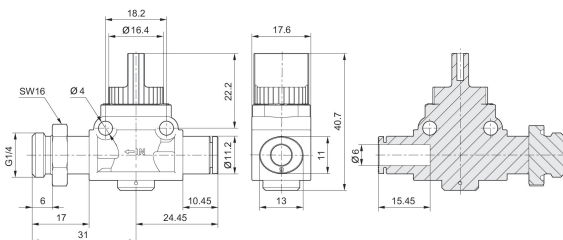
**R412005459**



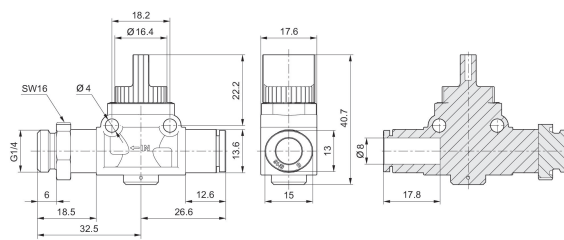
**R412005460**



**R412005461**

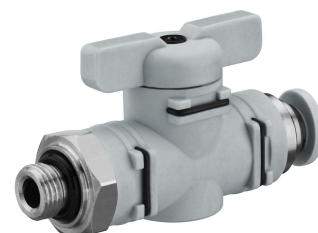
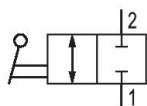


**R412005462**



**rubinetto a sfera, Serie QR1-BGS**

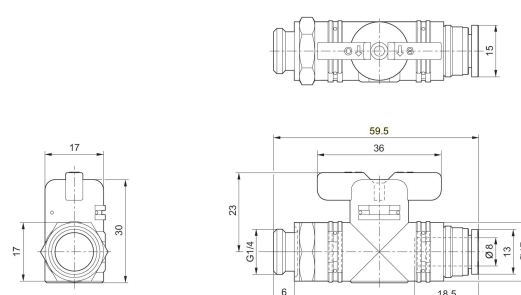
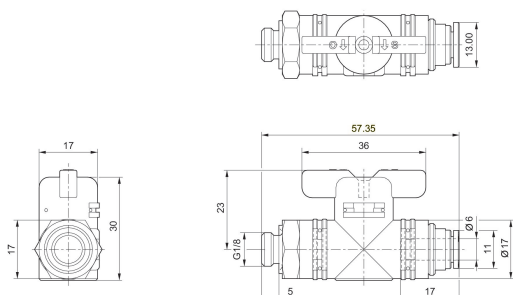
Raccordo ad innesto  
Raccordo ad innesto



Raccordo aria compressa 1	Raccordo aria compressa 2	Materiale corpo	Codice
G 1/8	Ø 6	polifenilsolfuro	R412005490
G 1/4	Ø 8	polifenilsolfuro	R412005493
G 1/4	Ø 10	polifenilsolfuro	R412005494
G 1/4	Ø 12	polifenilsolfuro	R412005495
G 3/8	Ø 10	polifenilsolfuro	R412005498
G 1/2	Ø 12	polifenilsolfuro	R412005501

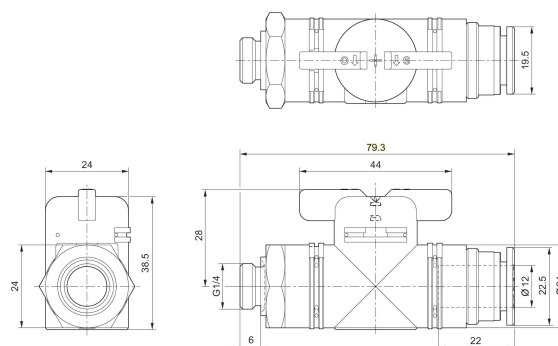
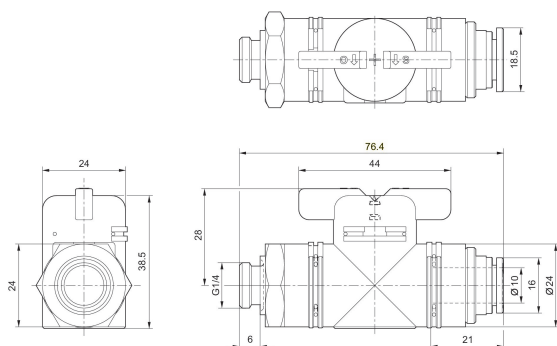
**R412005490**

**R412005493**

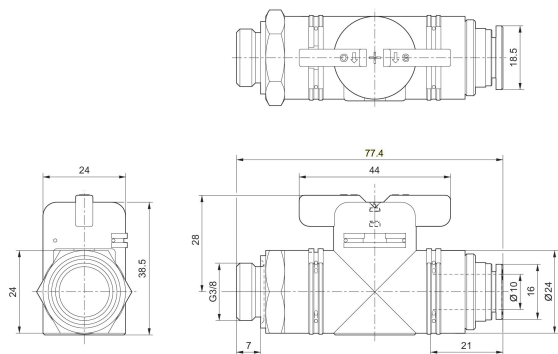


**R412005494**

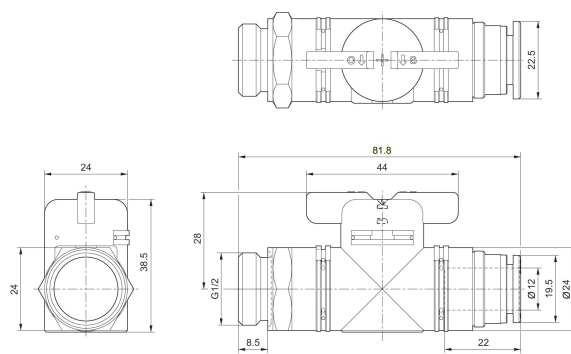
**R412005495**



R412005498

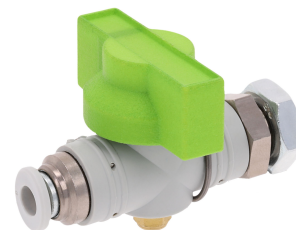


R412005501



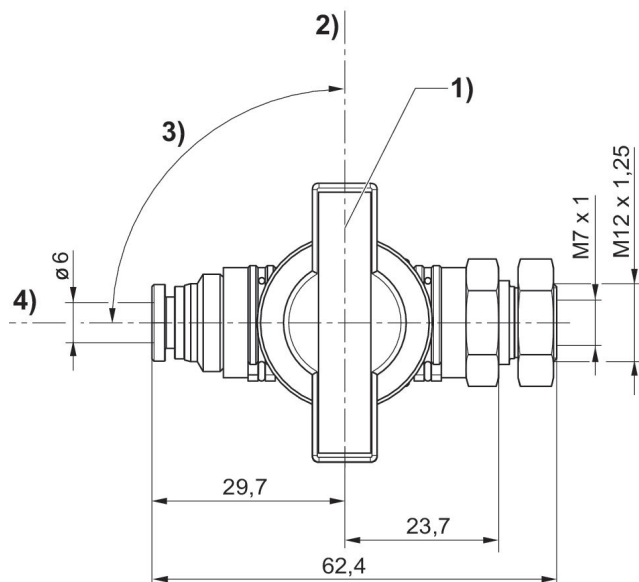
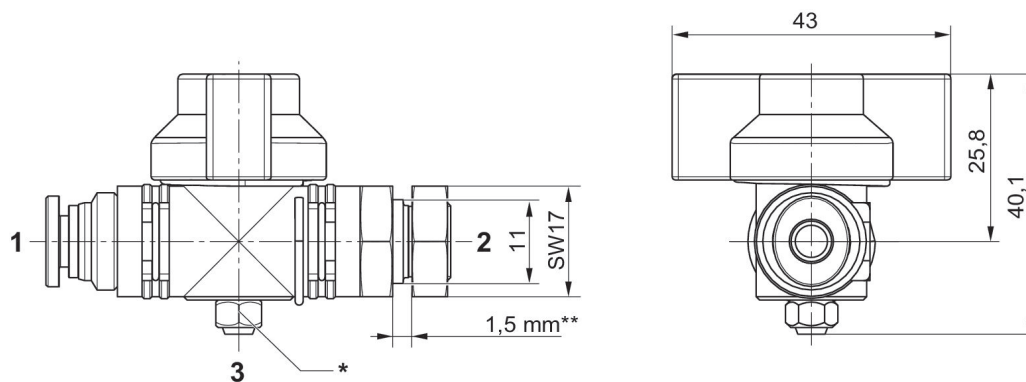
**rubinetto a sfera, Serie QR1-BSK**

Raccordo ad innesto  
Raccordo ad innesto



Raccordo aria compressa 1	Raccordo aria compressa 2	Materiale corpo	Codice
Ø 6	M7x1, M12x1,25	polibutilenetereftalato	R414010278

Dimensioni



\* Scarico M5

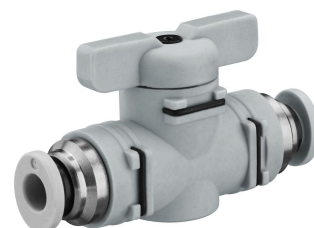
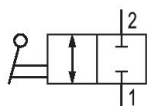
\*\* Min. formato fascetta per fissaggio

- 1) Posizione della leva a rubinetto chiuso
- 2) chiuso
- 3) Arresto a 90°
- 4) Aperto



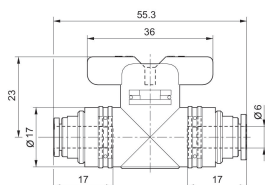
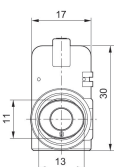
**rubinetto a sfera, Serie QR1-BSK**

Raccordo ad innesto  
Raccordo ad innesto

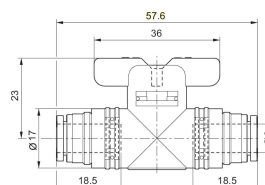
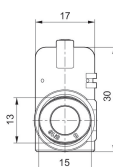
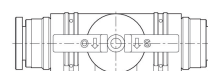


Raccordo aria compressa 1	Raccordo aria compressa 2	Materiale corpo	Codice
Ø 6	Ø 6	polifenilsolfuro	R412005502
Ø 8	Ø 8	polifenilsolfuro	R412005503
Ø 10	Ø 10	polifenilsolfuro	R412005504
Ø 12	Ø 12	polifenilsolfuro	R412005505

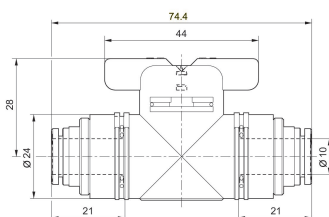
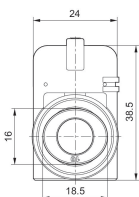
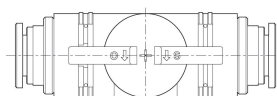
**R412005502**



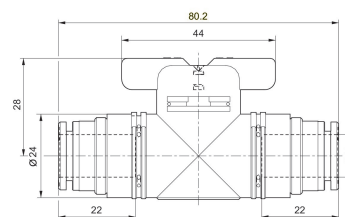
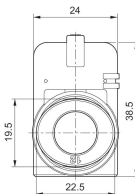
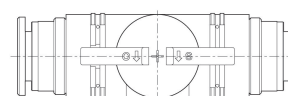
**R412005503**



**R412005504**

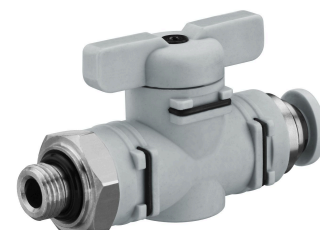


**R412005505**



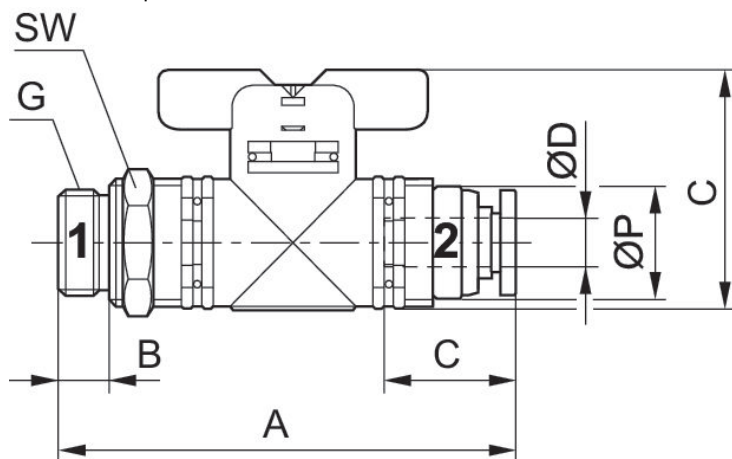
**rubinetto a sfera, Serie QR1-BGS**

Raccordo ad innesto  
Raccordo ad innesto



Raccordo aria compressa 1	Raccordo aria compressa 2	Materiale corpo	Codice
1/8 NPT	Ø1/4	polibutilenetereftalato	R432000366
1/8 NPT	Ø5/16	polibutilenetereftalato	R432000369
1/4 NPT	Ø1/4	polibutilenetereftalato	R432000365
1/4 NPT	Ø5/16	polibutilenetereftalato	R432000368
1/4 NPT	Ø 3/8	polibutilenetereftalato	R432000375
1/4 NPT	Ø1/2	polibutilenetereftalato	R432000372
3/8 NPT	Ø1/4	polibutilenetereftalato	R432000367
3/8 NPT	Ø5/16	polibutilenetereftalato	R432000370
3/8 NPT	Ø 3/8	polibutilenetereftalato	R432000376
3/8 NPT	Ø1/2	polibutilenetereftalato	R432000373
1/2 NPT	Ø 3/8	polibutilenetereftalato	R432000374
1/2 NPT	Ø1/2	polibutilenetereftalato	R432000371

Dimensioni in pollici



**Dimensioni in pollici**

Codice	Raccordo G	Ø D	A	B	C	E	SW	Ø P
R432000366	1/8 NPT	Ø1/4	2.38	0.315	0.67	0.906	11/16	0.67
R432000369	1/8 NPT	Ø5/16	2.376	0.315	0.729	0.906	11/16	0.67

Codice	Raccordo G	Ø D	A	B	C	E	SW	Ø P
R432000365	1/4 NPT	Ø1/4	2.498	0.433	0.67	0.906	11/16	0.67
R432000368	1/4 NPT	Ø5/16	2.494	0.433	0.729	0.906	11/16	0.67
R432000375	1/4 NPT	Ø 3/8	3.247	0.433	0.827	1.103	31/32	0.945
R432000372	1/4 NPT	Ø1/2	3.264	0.433	0.887	1.103	31/32	0.945
R432000367	3/8 NPT	Ø1/4	2.537	0.473	0.67	0.906	11/16	0.67
R432000370	3/8 NPT	Ø5/16	2.533	0.473	0.729	0.906	11/16	0.67
R432000376	3/8 NPT	Ø 3/8	3.286	0.473	0.827	1.103	31/32	0.945
R432000373	3/8 NPT	Ø1/2	3.304	0.473	0.887	1.103	31/32	0.945
R432000374	1/2 NPT	Ø 3/8	3.444	0.591	0.82721	1.103	31/32	0.945
R432000371	1/2 NPT	Ø1/2	3.461	0.591	0.887	1.103	31/32	0.945

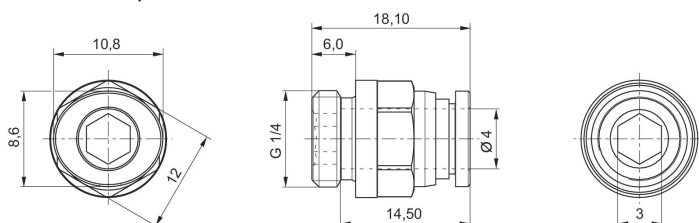
**rubinetto a sfera a gomito, Serie QR1-BWG**

filettatura esterna  
Raccordo ad innesto



Raccordo aria compressa 1	Raccordo aria compressa 2	Materiale corpo	Codice
1/8 NPT	Ø1/4	polibutilenetereftalato	R432000378
1/8 NPT	Ø5/16	polibutilenetereftalato	R432000381
1/4 NPT	Ø1/4	polibutilenetereftalato	R432000377
1/4 NPT	Ø5/16	polibutilenetereftalato	R432000380
1/4 NPT	Ø 3/8	polibutilenetereftalato	R432000387
1/4 NPT	Ø1/2	polibutilenetereftalato	R432000384
3/8 NPT	Ø1/4	polibutilenetereftalato	R432000379
3/8 NPT	Ø5/16	polibutilenetereftalato	R432000382
3/8 NPT	Ø 3/8	polibutilenetereftalato	R432000388
3/8 NPT	Ø1/2	polibutilenetereftalato	R432000385
1/2 NPT	Ø 3/8	polibutilenetereftalato	R432000386
1/2 NPT	Ø1/2	polibutilenetereftalato	R432000383

Dimensioni in pollici

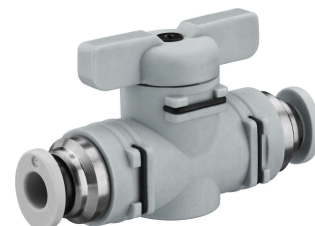


**Dimensioni in pollici**

Codice	G	Ø D	A1	A2	B	C	L	SW	Ø P
R432000378	1/8 NPT	Ø1/4	2.118	1.172	0.315	0.67	1.212	11/16	0.67
R432000381	1/8 NPT	Ø5/16	2.118	1.192	0.315	0.729	1.212	11/16	0.67
R432000377	1/4 NPT	Ø1/4	2.236	1.172	0.433	0.67	1.212	11/16	0.67
R432000380	1/4 NPT	Ø5/16	2.236	1.192	0.433	0.729	1.212	11/16	0.67
R432000387	1/4 NPT	Ø 3/8	2.84	1.58	0.433	0.827	1.738	31/32	0.945
R432000384	1/4 NPT	Ø1/2	2.84	1.576	0.433	0.887	1.738	31/32	0.945
R432000379	3/8 NPT	Ø1/4	2.275	1.172	0.473	0.67	1.212	11/16	0.67
R432000382	3/8 NPT	Ø5/16	2.275	1.192	0.473	0.729	1.212	11/16	0.67

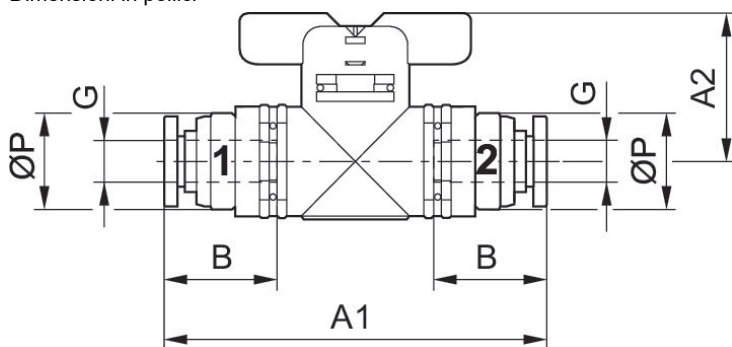
Codice	G	Ø D	A1	A2	B	C	L	SW	Ø P
R432000388	3/8 NPT	Ø 3/8	2.88	1.58	0.473	0.827	1.777	31/32	0.945
R432000385	3/8 NPT	Ø 1/2	2.88	1.576	0.473	0.887	1.777	31/32	0.945
R432000386	1/2 NPT	Ø 3/8	3.038	1.58	0.591	0.827	1.935	31/32	0.945
R432000383	1/2 NPT	Ø 3/8	3.038	1.576	0.591	0.887	1.935	31/32	0.945

## rubinetto a sfera, Serie QR1-BSK

Raccordo ad innesto  
Raccordo ad innesto

Raccordo aria compressa 1	Raccordo aria compressa 2	Materiale corpo	Codice
Ø1/4	Ø1/4	polibutilenetereftalato	R432000406
Ø5/16	Ø5/16	polibutilenetereftalato	R432000408
Ø 3/8	Ø 3/8	polibutilenetereftalato	R432000407
Ø1/2	Ø1/2	polibutilenetereftalato	R432000405

Dimensioni in pollici

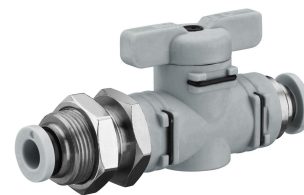


## Dimensioni in pollici

Codice	Raccordo G	A1	A2	B	Ø P
R432000406	Ø1/4	2.34	0.906	0.67	0.67
R432000408	Ø5/16	2.332	0.906	0.729	0.67
R432000407	Ø 3/8	3.089	1.103	0.827	0.945
R432000405	Ø1/2	3.124	1.103	0.827	0.945

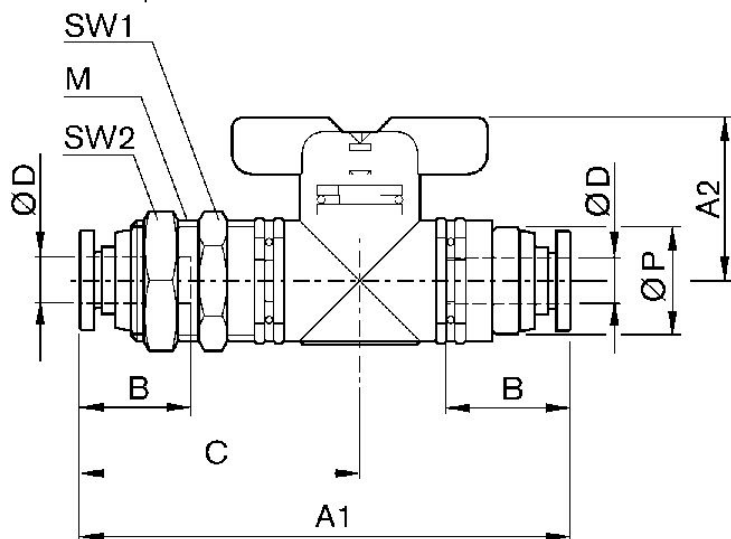
**rubinetto a sfera passaparete, Serie QR1-BSS**

Raccordo ad innesto  
Raccordo ad innesto



Raccordo aria compressa 1	Raccordo aria compressa 2	Materiale corpo	Codice
Ø1/4	Ø1/4	polibutileneterefalato	R432000401
Ø5/16	Ø1/4	polibutileneterefalato	R432000403
Ø5/16	Ø5/16	polibutileneterefalato	R432000404
Ø 3/8	Ø 3/8	polibutileneterefalato	R432000402
Ø1/2	Ø 3/8	polibutileneterefalato	R432000400

Dimensioni in pollici



**Dimensioni in pollici**





Codice	Ø D1	Ø D2	M	A1	A2	B	C	SW1	SW2	Ø P
R432000401	Ø1/4	Ø1/4	UNF 5/8	2.9	0.906	0.67	1.73	3/4	3/4	0.67
R432000403	Ø5/16	Ø1/4	UNF 5/8	2.92	0.906	0.729	1.749	3/4	3/4	0.67
R432000404	Ø5/16	Ø5/16	UNF 5/8	2.92	0.906	0.729	1.749	3/4	3/4	0.67
R432000402	Ø 3/8	Ø1/4	UNF 7/8	3.7	1.103	0.827	2.191	1	1	0.945
R432000400	Ø1/2	Ø1/4	UNF 7/8	3.684	1.103	0.827	2.191	1	1	0.945

# Efficient pneumatic solutions, our program: cylinders and drives, valves and valve systems, air supply management



Visit us: [Emerson.com/Aventics](https://www.emerson.com/aventics)

Your local contact: [Emerson.com/contactus](https://www.emerson.com/contactus)

-  [Emerson.com](https://www.emerson.com)
-  [Facebook.com/EmersonAutomationSolutions](https://www.facebook.com/EmersonAutomationSolutions)
-  [LinkedIn.com/company/Emerson-Automation-Solutions](https://www.linkedin.com/company/Emerson-Automation-Solutions)
-  [Twitter.com/EMR\\_Automation](https://twitter.com/EMR_Automation)

An example configuration is depicted on the title page. The delivered product may thus vary from that in the illustration. Subject to change. This Document, as well as the data, specifications and other information set forth in it, are the exclusive property of AVENTICS GmbH. It may not be reproduced or given to third parties without its consent. Only use the AVENTICS products shown in industrial applications. Read the product documentation completely and carefully before using the product. Observe the applicable regulations and laws of the respective country. When integrating the product into applications, note the system manufacturer's specifications for safe use of the product. The data specified only serve to describe the product. No statements concerning a certain condition or suitability for a certain application can be derived from our information. The information given does not release the user from the obligation of own judgment and verification. It must be remembered that the products are subject to a natural process of wear and aging.

The Emerson logo is a trademark and service mark of Emerson Electric Co. Brand logotype are registered trademarks of one of the Emerson family of companies. All other marks are the property of their respective owners. © 2019 Emerson Electric Co. All rights reserved.



**CONSIDER IT SOLVED™**