

Series QR1



AVENTICS™

AVENTICS Series QR1 Shut-off valves



Series QR1

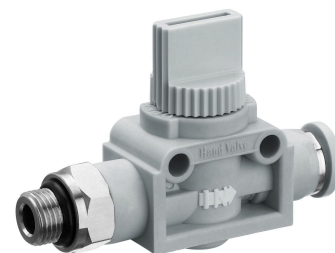
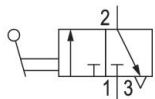
AVENTICS Series QR1 Shut-off valve are designed for safety-relevant processes, the valves enable manual blocking of the air supply to immediately stop the working stroke.

- $Q_n = 500 \text{ l/min} \dots 2600 \text{ l/min}$
- Due to product optimisation, the delivered article may currently deviate from the dimensions shown.



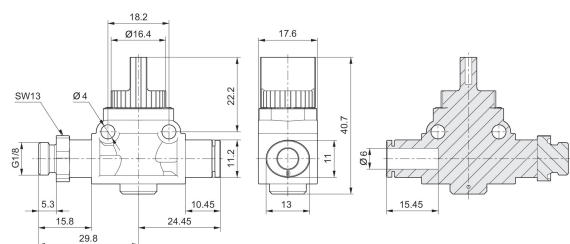
Series QR1-AGS

External thread
push-in fitting

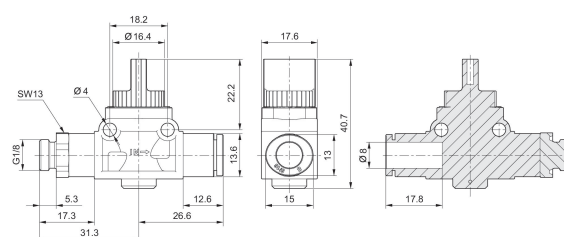


Compressed air connection 1	Compressed air connection 2	Flow [l/min]	Housing material	Part No.
G 1/8	Ø 6	500	Polyamide	R412005470
G 1/8	Ø 8	550	Polyamide	R412005471
G 1/4	Ø 6	500	Polyamide	R412005472
G 1/4	Ø 8	550	Polyamide	R412005473
G 1/4	Ø 10	1500	Polyamide	R412005474
G 1/4	Ø 12	1600	Polyamide	R412005475

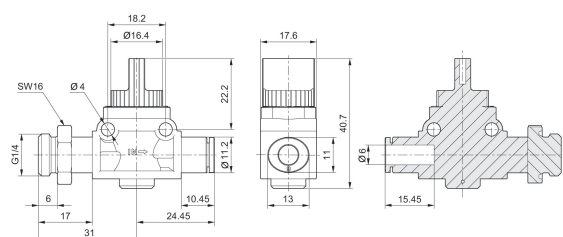
R412005470



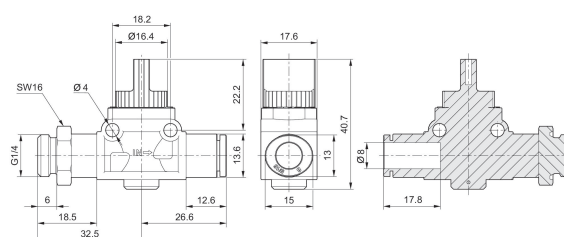
R412005471



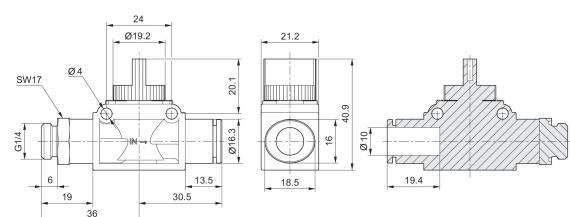
R412005472



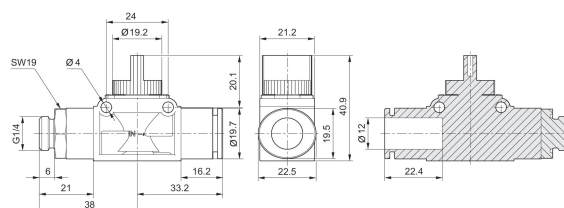
R412005473



R412005474

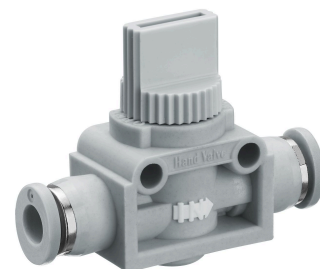
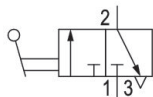


R412005475



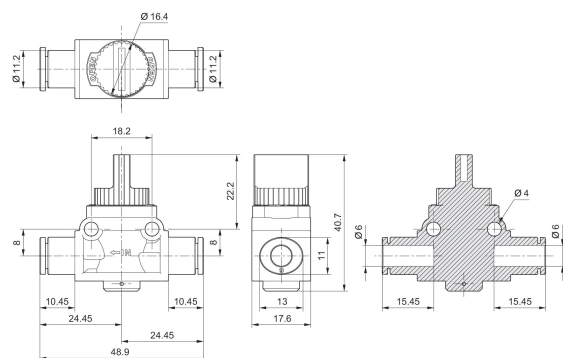
Series QR1-ASC

push-in fitting
push-in fitting

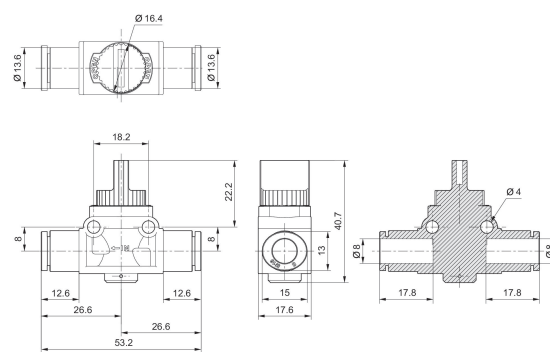


Compressed air connection 1	Compressed air connection 2	Housing material	Part No.
Ø 6	Ø 6	Polyamide	R412005482
Ø 8	Ø 8	Polyamide	R412005483
Ø 10	Ø 10	Polyamide	R412005484
Ø 12	Ø 12	Polyamide	R412005485

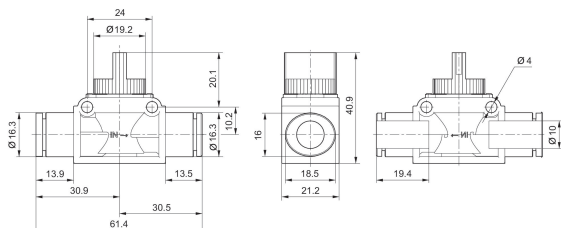
R412005482



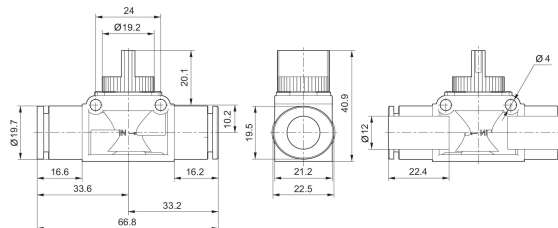
R412005483



R412005484

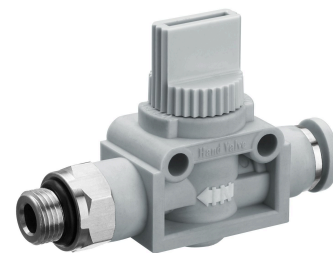
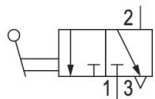


R412005485



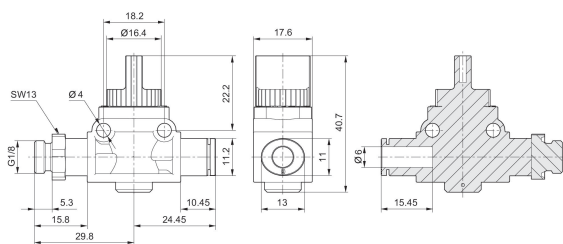
Series QR1-ASG

External thread
push-in fitting

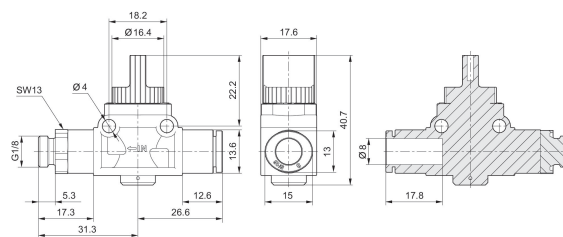


Compressed air connection 1	Compressed air connection 2	Housing material	Part No.
G 1/8	Ø 6	Polyamide	R412005459
G 1/8	Ø 8	Polyamide	R412005460
G 1/4	Ø 6	Polyamide	R412005461
G 1/4	Ø 8	Polyamide	R412005462

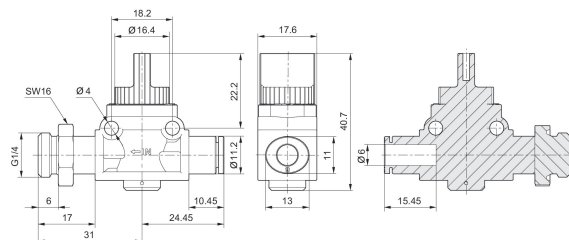
R412005459



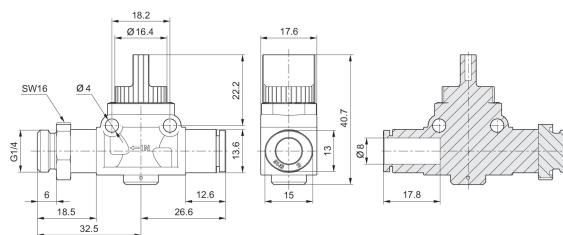
R412005460



R412005461

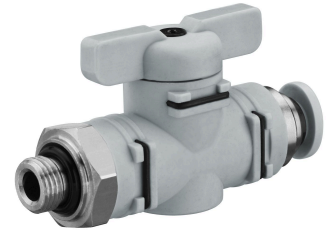
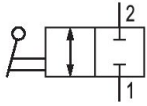


R412005462



Ball valve, Series QR1-BGS

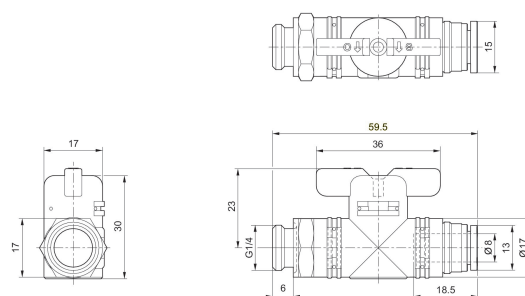
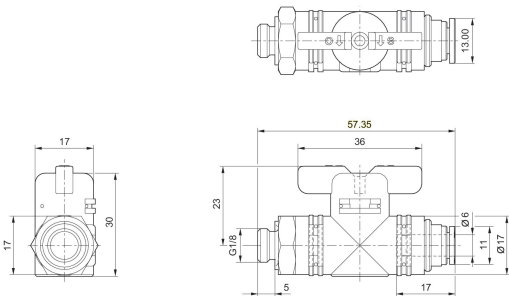
push-in fitting
push-in fitting



Compressed air connection 1	Compressed air connection 2	Housing material	Part No.
G 1/8	Ø 6	polyphenylene sulfide	R412005490
G 1/4	Ø 8	polyphenylene sulfide	R412005493
G 1/4	Ø 10	polyphenylene sulfide	R412005494
G 1/4	Ø 12	polyphenylene sulfide	R412005495
G 3/8	Ø 10	polyphenylene sulfide	R412005498
G 1/2	Ø 12	polyphenylene sulfide	R412005501

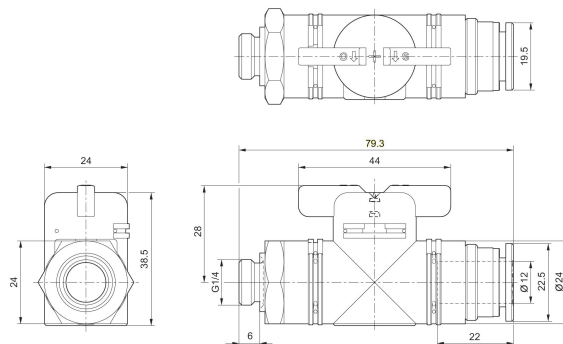
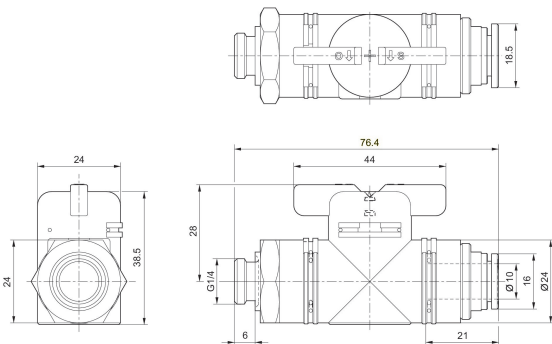
R412005490

R412005493

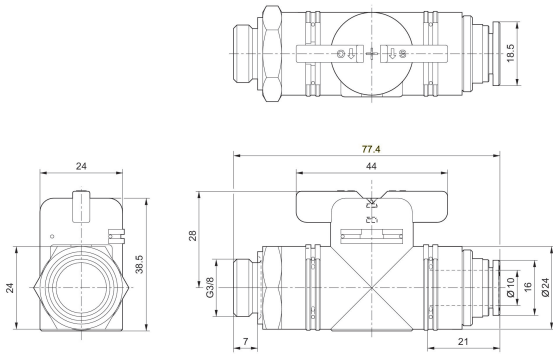


R412005494

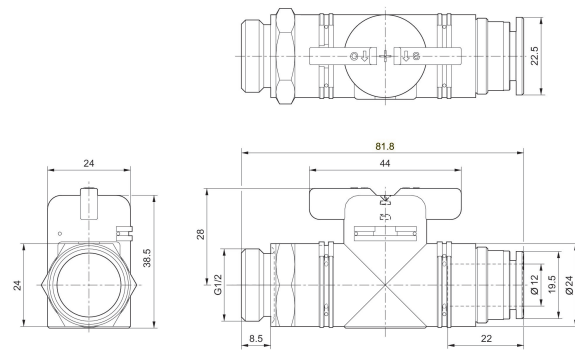
R412005495



R412005498

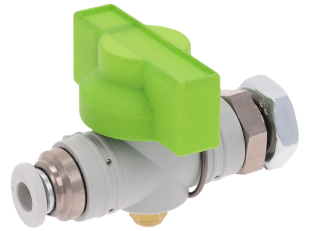


R412005501



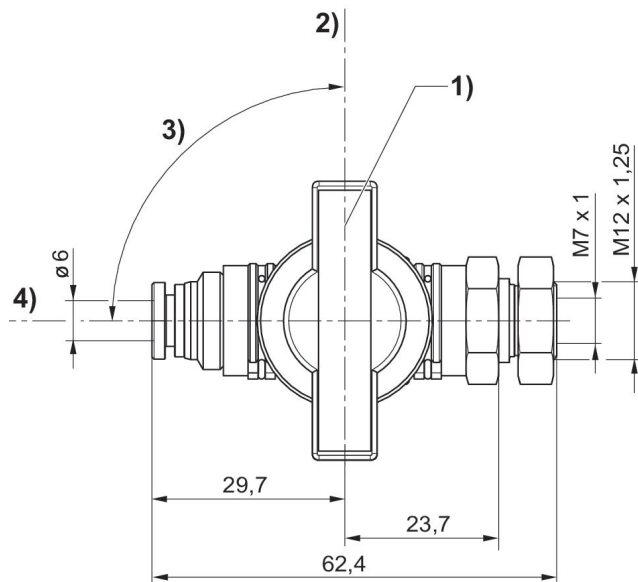
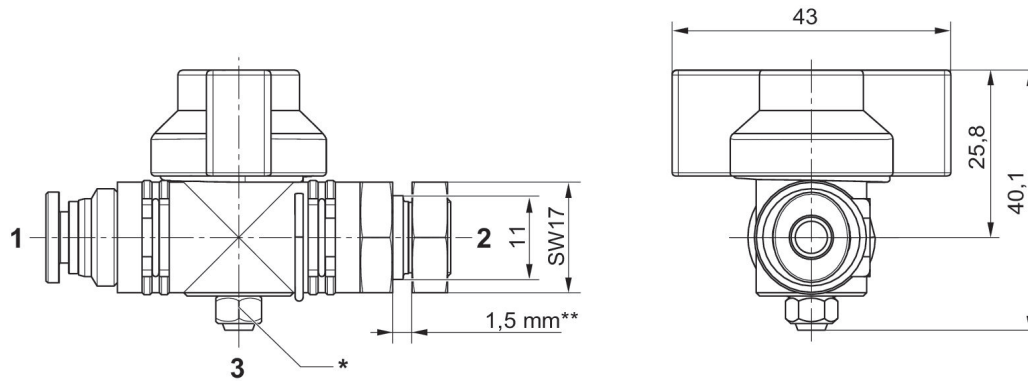
Ball valve, Series QR1-BSK

push-in fitting
push-in fitting



Compressed air connection 1	Compressed air connection 2	Housing material	Part No.
Ø 6	M7x1, M12x1,25	Polybutyleneterephthalate	R414010278

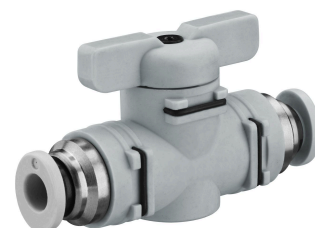
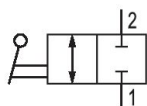
Dimensions



- * Exhaust M5
- ** Min. collar dimensions for mounting
- 1) Lever position with closed valve
- 2) Closed
- 3) Stop at 90°
- 4) Open

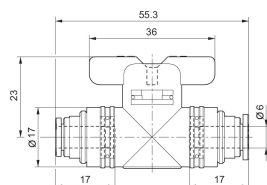
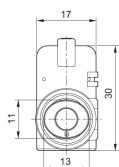
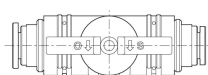
Ball valve, Series QR1-BSK

push-in fitting
push-in fitting

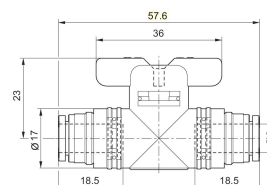
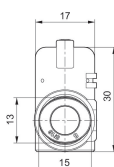
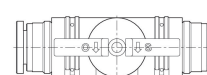


Compressed air connection 1	Compressed air connection 2	Housing material	Part No.
Ø 6	Ø 6	polyphenylene sulfide	R412005502
Ø 8	Ø 8	polyphenylene sulfide	R412005503
Ø 10	Ø 10	polyphenylene sulfide	R412005504
Ø 12	Ø 12	polyphenylene sulfide	R412005505

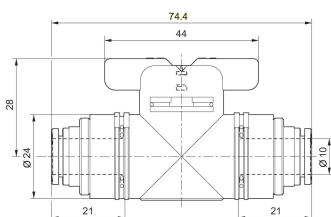
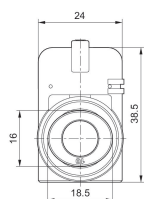
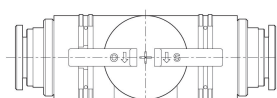
R412005502



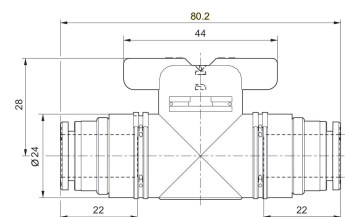
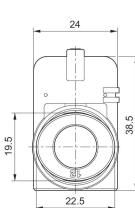
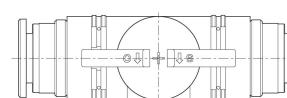
R412005503



R412005504

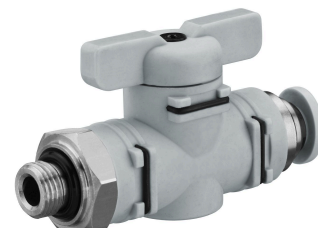


R412005505



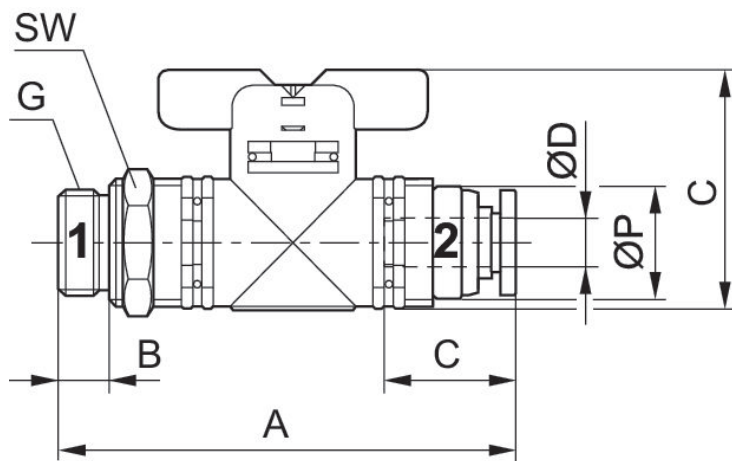
Ball valve, Series QR1-BGS

push-in fitting
push-in fitting



Compressed air connection 1	Compressed air connection 2	Housing material	Part No.
1/8 NPT	Ø1/4	Polybutyleneterephthalate	R432000366
1/8 NPT	Ø5/16	Polybutyleneterephthalate	R432000369
1/4 NPT	Ø1/4	Polybutyleneterephthalate	R432000365
1/4 NPT	Ø5/16	Polybutyleneterephthalate	R432000368
1/4 NPT	Ø 3/8	Polybutyleneterephthalate	R432000375
1/4 NPT	Ø1/2	Polybutyleneterephthalate	R432000372
3/8 NPT	Ø1/4	Polybutyleneterephthalate	R432000367
3/8 NPT	Ø5/16	Polybutyleneterephthalate	R432000370
3/8 NPT	Ø 3/8	Polybutyleneterephthalate	R432000376
3/8 NPT	Ø1/2	Polybutyleneterephthalate	R432000373
1/2 NPT	Ø 3/8	Polybutyleneterephthalate	R432000374
1/2 NPT	Ø1/2	Polybutyleneterephthalate	R432000371

Dimensions in inches



Dimensions in inches

Part No.	Port G	Ø D	A	B	C	E	SW	Ø P
R432000366	1/8 NPT	Ø1/4	2.38	0.315	0.67	0.906	11/16	0.67
R432000369	1/8 NPT	Ø5/16	2.376	0.315	0.729	0.906	11/16	0.67

Part No.	Port G	Ø D	A	B	C	E	SW	Ø P
R432000365	1/4 NPT	Ø1/4	2.498	0.433	0.67	0.906	11/16	0.67
R432000368	1/4 NPT	Ø5/16	2.494	0.433	0.729	0.906	11/16	0.67
R432000375	1/4 NPT	Ø 3/8	3.247	0.433	0.827	1.103	31/32	0.945
R432000372	1/4 NPT	Ø1/2	3.264	0.433	0.887	1.103	31/32	0.945
R432000367	3/8 NPT	Ø1/4	2.537	0.473	0.67	0.906	11/16	0.67
R432000370	3/8 NPT	Ø5/16	2.533	0.473	0.729	0.906	11/16	0.67
R432000376	3/8 NPT	Ø 3/8	3.286	0.473	0.827	1.103	31/32	0.945
R432000373	3/8 NPT	Ø1/2	3.304	0.473	0.887	1.103	31/32	0.945
R432000374	1/2 NPT	Ø 3/8	3.444	0.591	0.82721	1.103	31/32	0.945
R432000371	1/2 NPT	Ø1/2	3.461	0.591	0.887	1.103	31/32	0.945

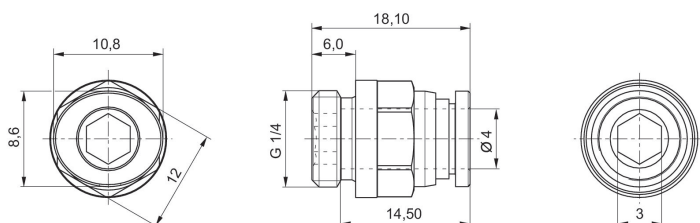
Elbow ball valve, Series QR1-BWG

External thread
push-in fitting



Compressed air connection 1	Compressed air connection 2	Housing material	Part No.
1/8 NPT	Ø1/4	Polybutyleneterephthalate	R432000378
1/8 NPT	Ø5/16	Polybutyleneterephthalate	R432000381
1/4 NPT	Ø1/4	Polybutyleneterephthalate	R432000377
1/4 NPT	Ø5/16	Polybutyleneterephthalate	R432000380
1/4 NPT	Ø 3/8	Polybutyleneterephthalate	R432000387
1/4 NPT	Ø1/2	Polybutyleneterephthalate	R432000384
3/8 NPT	Ø1/4	Polybutyleneterephthalate	R432000379
3/8 NPT	Ø5/16	Polybutyleneterephthalate	R432000382
3/8 NPT	Ø 3/8	Polybutyleneterephthalate	R432000388
3/8 NPT	Ø1/2	Polybutyleneterephthalate	R432000385
1/2 NPT	Ø 3/8	Polybutyleneterephthalate	R432000386
1/2 NPT	Ø1/2	Polybutyleneterephthalate	R432000383

Dimensions in inches



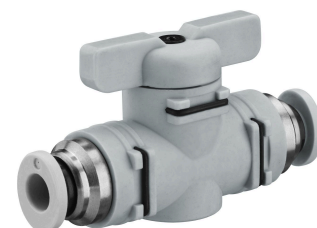
Dimensions in inches

Part No.	G	Ø D	A1	A2	B	C	L	SW	Ø P
R432000378	1/8 NPT	Ø1/4	2.118	1.172	0.315	0.67	1.212	11/16	0.67
R432000381	1/8 NPT	Ø5/16	2.118	1.192	0.315	0.729	1.212	11/16	0.67
R432000377	1/4 NPT	Ø1/4	2.236	1.172	0.433	0.67	1.212	11/16	0.67
R432000380	1/4 NPT	Ø5/16	2.236	1.192	0.433	0.729	1.212	11/16	0.67
R432000387	1/4 NPT	Ø 3/8	2.84	1.58	0.433	0.827	1.738	31/32	0.945
R432000384	1/4 NPT	Ø1/2	2.84	1.576	0.433	0.887	1.738	31/32	0.945
R432000379	3/8 NPT	Ø1/4	2.275	1.172	0.473	0.67	1.212	11/16	0.67
R432000382	3/8 NPT	Ø5/16	2.275	1.192	0.473	0.729	1.212	11/16	0.67

Part No.	G	Ø D	A1	A2	B	C	L	SW	Ø P
R432000388	3/8 NPT	Ø 3/8	2.88	1.58	0.473	0.827	1.777	31/32	0.945
R432000385	3/8 NPT	Ø 1/2	2.88	1.576	0.473	0.887	1.777	31/32	0.945
R432000386	1/2 NPT	Ø 3/8	3.038	1.58	0.591	0.827	1.935	31/32	0.945
R432000383	1/2 NPT	Ø 3/8	3.038	1.576	0.591	0.887	1.935	31/32	0.945

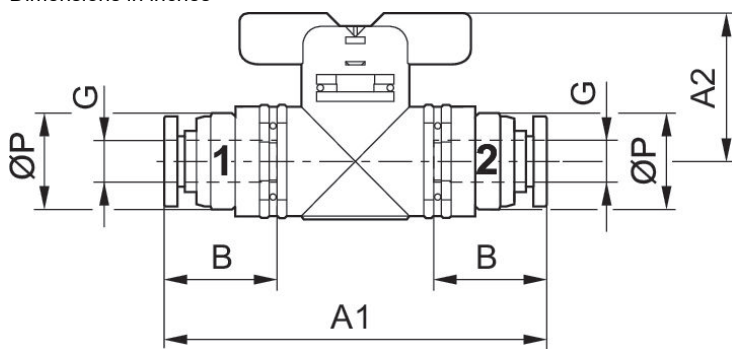
Ball valve, Series QR1-BSK

push-in fitting
push-in fitting



Compressed air connection 1	Compressed air connection 2	Housing material	Part No.
Ø1/4	Ø1/4	Polybutyleneterephthalate	R432000406
Ø5/16	Ø5/16	Polybutyleneterephthalate	R432000408
Ø 3/8	Ø 3/8	Polybutyleneterephthalate	R432000407
Ø1/2	Ø1/2	Polybutyleneterephthalate	R432000405

Dimensions in inches

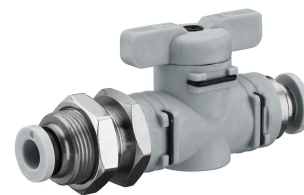


Dimensions in inches

Part No.	Port G	A1	A2	B	Ø P
R432000406	Ø1/4	2.34	0.906	0.67	0.67
R432000408	Ø5/16	2.332	0.906	0.729	0.67
R432000407	Ø 3/8	3.089	1.103	0.827	0.945
R432000405	Ø1/2	3.124	1.103	0.827	0.945

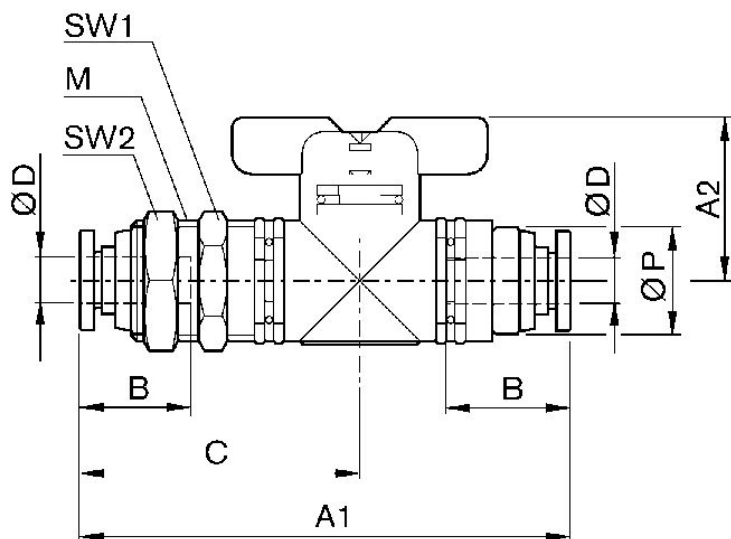
Bulkhead ball valve, Series QR1-BSS

push-in fitting
push-in fitting



Compressed air connection 1	Compressed air connection 2	Housing material	Part No.
Ø1/4	Ø1/4	Polybutyleneterephthalate	R432000401
Ø5/16	Ø1/4	Polybutyleneterephthalate	R432000403
Ø5/16	Ø5/16	Polybutyleneterephthalate	R432000404
Ø 3/8	Ø 3/8	Polybutyleneterephthalate	R432000402
Ø1/2	Ø 3/8	Polybutyleneterephthalate	R432000400

Dimensions in inches



Dimensions in inches

Part No.	Ø D1	Ø D2	M	A1	A2	B	C	SW1	SW2	Ø P
R432000401	Ø1/4	Ø1/4	UNF 5/8	2.9	0.906	0.67	1.73	3/4	3/4	0.67
R432000403	Ø5/16	Ø1/4	UNF 5/8	2.92	0.906	0.729	1.749	3/4	3/4	0.67
R432000404	Ø5/16	Ø5/16	UNF 5/8	2.92	0.906	0.729	1.749	3/4	3/4	0.67
R432000402	Ø 3/8	Ø1/4	UNF 7/8	3.7	1.103	0.827	2.191	1	1	0.945
R432000400	Ø1/2	Ø1/4	UNF 7/8	3.684	1.103	0.827	2.191	1	1	0.945

Efficient pneumatic solutions, our program: cylinders and drives, valves and valve systems, air supply management



Visit us: [Emerson.com/Aventics](https://www.emerson.com/aventics)

Your local contact: [Emerson.com/contactus](https://www.emerson.com/contactus)



[Emerson.com](https://www.emerson.com)



[Facebook.com/EmersonAutomationSolutions](https://www.facebook.com/EmersonAutomationSolutions)



[LinkedIn.com/company/Emerson-Automation-Solutions](https://www.linkedin.com/company/Emerson-Automation-Solutions)



[Twitter.com/EMR_Automation](https://twitter.com/EMR_Automation)

An example configuration is depicted on the title page. The delivered product may thus vary from that in the illustration. Subject to change. This Document, as well as the data, specifications and other information set forth in it, are the exclusive property of AVENTICS GmbH. It may not be reproduced or given to third parties without its consent. Only use the AVENTICS products shown in industrial applications. Read the product documentation completely and carefully before using the product. Observe the applicable regulations and laws of the respective country. When integrating the product into applications, note the system manufacturer's specifications for safe use of the product. The data specified only serve to describe the product. No statements concerning a certain condition or suitability for a certain application can be derived from our information. The information given does not release the user from the obligation of own judgment and verification. It must be remembered that the products are subject to a natural process of wear and aging.

The Emerson logo is a trademark and service mark of Emerson Electric Co. Brand logotype are registered trademarks of one of the Emerson family of companies. All other marks are the property of their respective owners. © 2019 Emerson Electric Co. All rights reserved.



CONSIDER IT SOLVED™