

QR1



AVENTICS™

Clapets anti-retour AVENTICS
série QR1


EMERSON™

Série QR1

Les clapets anti-retour AVENTICS série QR1 sont conçus pour les procédés importants pour la sécurité, ils permettent le blocage automatique de l'alimentation en air afin d'arrêter immédiatement la course utile.

- $Q_n = 280 \text{ l/min} \dots 2000 \text{ l/min}$
- En raison de l'optimisation des produits, l'article livré peut actuellement différer des dimensions représentées.

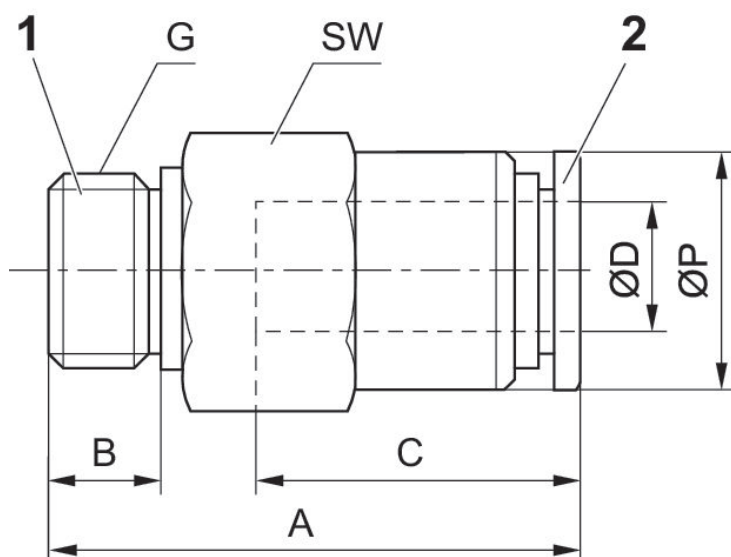


Valve de blocage, Série QR1-AAN

Filetage
Raccord instantané

| Raccord d'air comprimé 1 | Raccord d'air comprimé 2 | Débit nominal Qn 1 vers 2 [l/min] | Matériau boîtiers | Référence |
|--------------------------|--------------------------|-----------------------------------|-------------------|------------|
| G 1/8 | Ø 4 | 300 | Laiton | R412005526 |
| G 1/8 | Ø 6 | 700 | Laiton | R412005527 |
| G 1/4 | Ø 6 | 700 | Laiton | R412005528 |
| G 1/4 | Ø 8 | 900 | Laiton | R412005529 |

Dimensions



| Référence | G | Ø D | A | B | C | SW | Ø P |
|------------|-------|-----|------|---|------|----|-----|
| R412005526 | G 1/8 | Ø 4 | 26.6 | 5 | 16 | 14 | 10 |
| R412005527 | G 1/4 | Ø 6 | 26.9 | 5 | 17 | 14 | 12 |
| R412005528 | G 1/8 | Ø 6 | 29.4 | 6 | 17 | 17 | 13 |
| R412005529 | G 1/8 | Ø 8 | 33.8 | 6 | 18.5 | 17 | 14 |

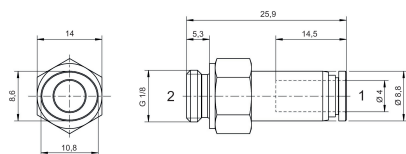
Clapet anti-retour, Série QR1-ANR

Filetage
Raccord instantané

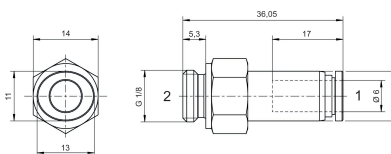


| Raccord d'air comprimé 1 | Raccord d'air comprimé 2 | Débit nominal Qn 1 vers 2 [l/min] | Matériau boîtiers | Référence |
|--------------------------|--------------------------|-----------------------------------|-------------------|------------|
| Ø 4 | G 1/8 | 280 | Laiton | R412005565 |
| Ø 6 | G 1/8 | 600 | Laiton | R412005566 |
| Ø 6 | G 1/4 | 600 | Laiton | R412005568 |
| Ø 8 | G 1/4 | 900 | Laiton | R412005569 |

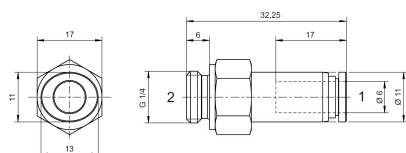
R412005565



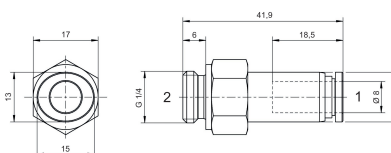
R412005566



R412005568



R412005569

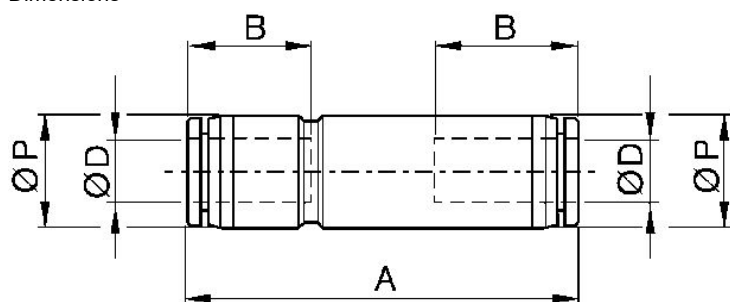


Valve de blocage, Série QR1-ASK

Raccord instantané
Raccord instantané

| Raccord d'air comprimé 1 | Raccord d'air comprimé 2 | Débit nominal Qn 1 vers 2 [l/min] | Matériau boîtiers | Référence |
|--------------------------|--------------------------|-----------------------------------|---------------------------------|------------|
| Ø 4 | Ø 4 | 300 | Polybutylène téréphtalate (PBT) | R412005547 |
| Ø 6 | Ø 6 | 700 | Polybutylène téréphtalate (PBT) | R412005548 |
| Ø 8 | Ø 8 | 900 | Polybutylène téréphtalate (PBT) | R412005549 |
| Ø 10 | Ø 10 | 1500 | Aluminium | R412005550 |

Dimensions



| Référence | Ø D | Ø D | A | B | Ø P |
|------------|------|------|------|------|------|
| R412005547 | Ø 4 | Ø 4 | 42.9 | 16 | 10 |
| R412005548 | Ø 6 | Ø 6 | 46.9 | 17 | 12.4 |
| R412005549 | Ø 8 | Ø 8 | 52.6 | 18.5 | 14.4 |
| R412005550 | Ø 10 | Ø 10 | 59.2 | 21 | 17.6 |
| R412005551 | Ø 12 | Ø 12 | 71.8 | 22 | 21.2 |

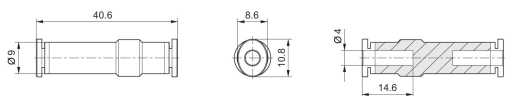
Clapet anti-retour, Série QR1-SKR

Raccord instantané
Raccord instantané

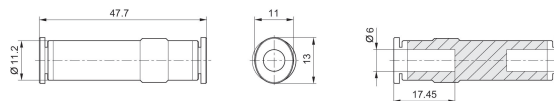


| Raccord d'air comprimé 1 | Raccord d'air comprimé 2 | Débit nominal Qn 1 vers 2 [l/min] | Matériau boîtiers | Référence |
|--------------------------|--------------------------|-----------------------------------|-------------------|------------|
| Ø 4 | Ø 4 | 280 | Polyamide | R412005573 |
| Ø 6 | Ø 6 | 600 | Polyamide | R412005574 |
| Ø 8 | Ø 8 | 1800 | Polyamide | R412005575 |
| Ø 10 | Ø 10 | 1800 | Aluminium | R412005576 |
| Ø 12 | Ø 12 | 2000 | Aluminium | R412005577 |

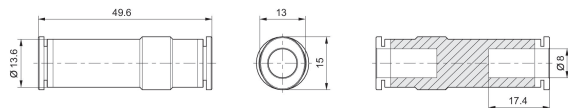
R412005573



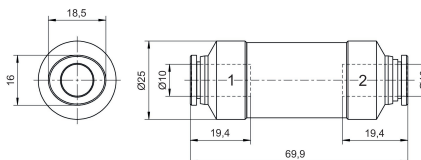
R412005574



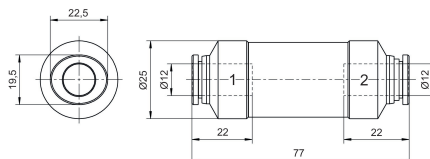
R412005575



R412005576



R412005577

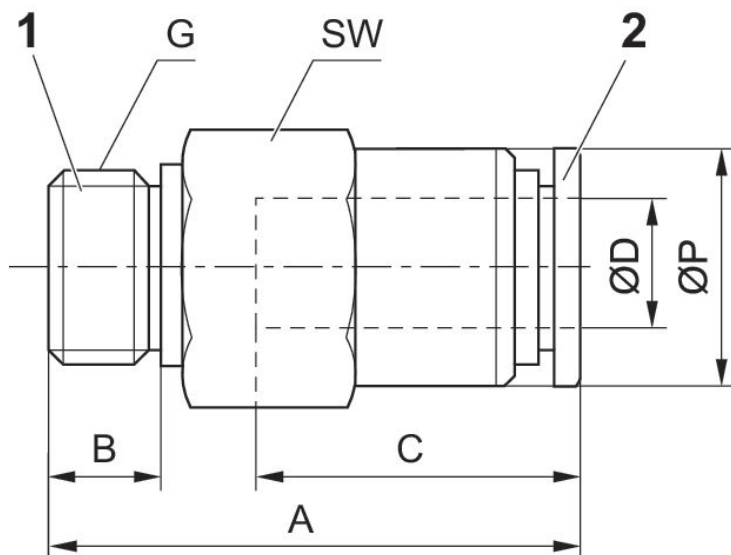


Valve de blocage, Série QR1-AAN

Filetage
Raccord instantané

| Raccord d'air comprimé 1 | Raccord d'air comprimé 2 | Débit nominal Qn 1 vers 2 [l/min] | Matériau boîtiers | Référence |
|--------------------------|--------------------------|-----------------------------------|-------------------|------------|
| 1/8 NPT | Ø5/32 | 300 | Laiton | R432000442 |
| 1/8 NPT | Ø1/4 | 300 | Laiton | R432000436 |
| 1/4 NPT | Ø1/4 | 300 | Laiton | R432000437 |
| 1/4 NPT | Ø5/16 | 300 | Laiton | R432000440 |
| 3/8 NPT | Ø5/16 | 300 | Laiton | R432000441 |
| 3/8 NPT | Ø 3/8 | 300 | Laiton | R432000438 |
| 3/8 NPT | Ø1/2 | 300 | Laiton | R432000434 |
| 1/2 NPT | Ø 3/8 | 300 | Laiton | R432000439 |
| 1/2 NPT | Ø1/2 | 300 | Laiton | R432000435 |

Dimensions en pouce



| Référence | G | Ø D | A | B | C | SW | Ø P |
|------------|---------|-------|-------|-------|------|------|-------|
| R432000442 | 1/8 NPT | Ø5/32 | 1.004 | 0.315 | 0.63 | 7/16 | 0.394 |
| R432000436 | 1/8 NPT | Ø1/4 | 1.095 | 0.315 | 0.67 | 1/2 | 0.473 |
| R432000437 | 1/4 NPT | Ø1/4 | 1.095 | 0.433 | 0.67 | 9/16 | 0.552 |

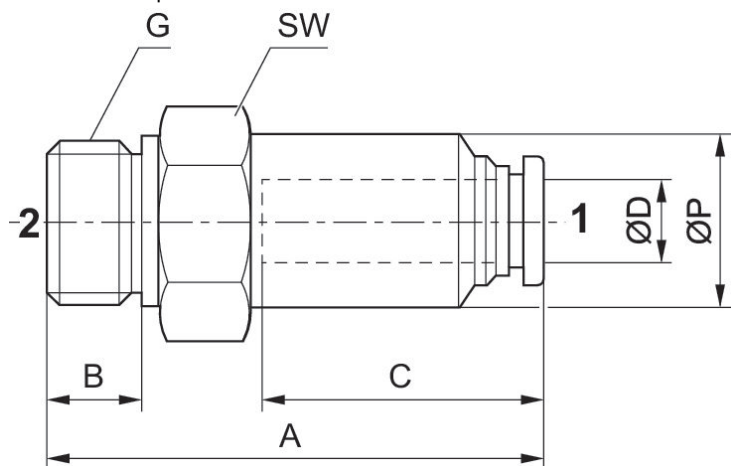
| Référence | G | Ø D | A | B | C | SW | Ø P |
|------------|---------|-------|-------|-------|-------|-------|-------|
| R432000440 | 1/4 NPT | Ø5/16 | 1.253 | 0.433 | 0.729 | 9/16 | 0.552 |
| R432000441 | 3/8 NPT | Ø5/16 | 1.253 | 0.473 | 0.729 | 11/16 | 0.67 |
| R432000438 | 3/8 NPT | Ø 3/8 | 1.422 | 0.473 | 0.827 | 11/16 | 0.67 |
| R432000434 | 3/8 NPT | Ø 1/2 | 1.749 | 0.473 | 0.887 | 7/8 | 0.796 |
| R432000439 | 1/2 NPT | Ø 3/8 | 1.422 | 0.591 | 0.827 | 7/8 | 0.709 |
| R432000435 | 1/2 NPT | Ø 1/2 | 1.741 | 0.591 | 0.887 | 7/8 | 0.796 |

Clapet anti-retour, Série QR1-ANR

Filetage
Raccord instantané

| Raccord d'air comprimé 1 | Raccord d'air comprimé 2 | Matériau boîtiers | Référence |
|--------------------------|--------------------------|-------------------|------------|
| Ø5/32 | 10-32 UNF | Laiton | R432000424 |
| Ø5/32 | 1/8 NPT | Laiton | R432000423 |
| Ø5/16 | 1/8 NPT | Laiton | R432000422 |
| Ø1/4 | 1/8 NPT | Laiton | R432000417 |
| Ø1/4 | 1/4 NPT | Laiton | R432000418 |
| Ø1/4 | 1/4 NPT | Laiton | R432000421 |
| Ø 3/8 | 3/8 NPT | Laiton | R432000419 |
| Ø1/2 | 3/8 NPT | Laiton | R432000415 |
| Ø 3/8 | 1/2 NPT | Laiton | R432000420 |
| Ø1/2 | 1/2 NPT | Laiton | R432000416 |

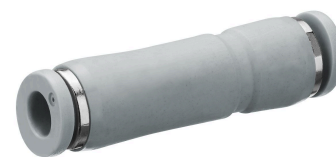
Dimensions en pouce



| Référence | G | Ø D | A | B | C | SW | Ø P |
|------------|-----------|-------|-------|-------|-------|------|-------|
| R432000424 | 10-32 UNF | Ø5/32 | 1.182 | 0.217 | 0.63 | 7/16 | 0.394 |
| R432000423 | 1/8 NPT | Ø5/32 | 1.221 | 0.315 | 0.63 | 7/16 | 0.394 |
| R432000422 | 1/8 NPT | Ø5/16 | 1.127 | 0.315 | 0.729 | 9/16 | 0.406 |
| R432000417 | 1/8 NPT | Ø1/4 | 0.973 | 0.315 | 0.67 | 1/2 | 0.473 |
| R432000418 | 1/4 NPT | Ø1/4 | 1.127 | 0.433 | 0.67 | 1/2 | 0.511 |

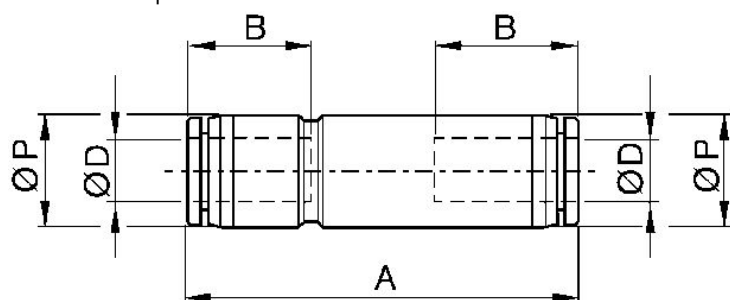
| Référence | G | Ø D | A | B | C | SW | Ø P |
|------------|---------|-------|-------|-------|-------|-------|-------|
| R432000421 | 1/4 NPT | Ø1/4 | 1.127 | 0.433 | 0.729 | 9/16 | 0.406 |
| R432000419 | 3/8 NPT | Ø 3/8 | 2.45 | 0.473 | 0.827 | 11/16 | 0.989 |
| R432000415 | 3/8 NPT | Ø1/2 | 2.537 | 0.473 | 0.887 | 7/8 | 0.985 |
| R432000420 | 1/2 NPT | Ø 3/8 | 2.466 | 0.591 | 0.827 | 7/8 | 1.103 |
| R432000416 | 1/2 NPT | Ø1/2 | 2.778 | 0.591 | 0.887 | 7/8 | 1.103 |

Valve de blocage, Série QR1-ASK

Raccord instantané
Raccord instantané

| Raccord d'air comprimé 1 | Raccord d'air comprimé 2 | Débit nominal Qn 1 vers 2 [l/min] | Matériau boîtiers | Référence |
|--------------------------|--------------------------|-----------------------------------|---------------------------------|------------|
| Ø5/32 | Ø5/32 | 300 | Polybutylène téréphtalate (PBT) | R432000461 |
| Ø1/4 | Ø1/4 | 300 | Polybutylène téréphtalate (PBT) | R432000458 |
| Ø5/16 | Ø5/16 | 300 | Polybutylène téréphtalate (PBT) | R432000460 |
| Ø 3/8 | Ø 3/8 | 300 | Polybutylène téréphtalate (PBT) | R432000459 |
| Ø1/2 | Ø1/2 | 300 | Polybutylène téréphtalate (PBT) | R432000457 |

Dimensions en pouce



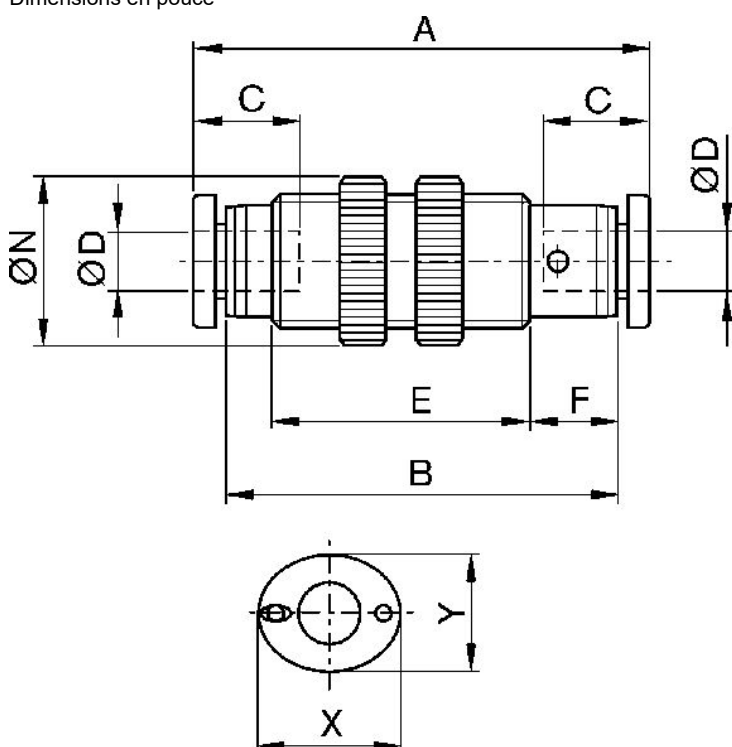
| Référence | Ø D | Ø D | A | B | Ø P |
|------------|-------|-------|-------|-------|-------|
| R432000461 | Ø5/32 | Ø5/32 | 1.69 | 0.63 | 0.394 |
| R432000458 | Ø1/4 | Ø1/4 | 1.86 | 0.67 | 0.489 |
| R432000460 | Ø5/16 | Ø5/16 | 2.072 | 0.729 | 0.567 |
| R432000459 | Ø 3/8 | Ø 3/8 | 2.38 | 0.827 | 0.693 |
| R432000457 | Ø1/2 | Ø1/2 | 2.774 | 0.887 | 0.835 |

Valve de blocage, Série QR1-ASS

Raccord instantané
Raccord instantané

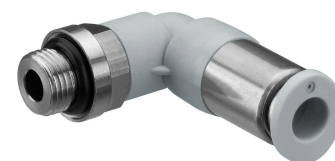
| Raccord d'air comprimé 1 | Raccord d'air comprimé 2 | Débit nominal Qn 1 vers 2 [l/min] | Matériau boîtiers | Référence |
|--------------------------|--------------------------|-----------------------------------|---------------------------------|------------|
| Ø5/32 | Ø5/32 | 300 | Polybutylène téréphtalate (PBT) | R432000466 |
| Ø1/4 | Ø1/4 | 300 | Polybutylène téréphtalate (PBT) | R432000463 |
| Ø5/16 | Ø5/16 | 300 | Polybutylène téréphtalate (PBT) | R432000465 |
| Ø 3/8 | Ø 3/8 | 300 | Polybutylène téréphtalate (PBT) | R432000464 |
| Ø1/2 | Ø1/2 | 300 | Polybutylène téréphtalate (PBT) | R432000462 |

Dimensions en pouce



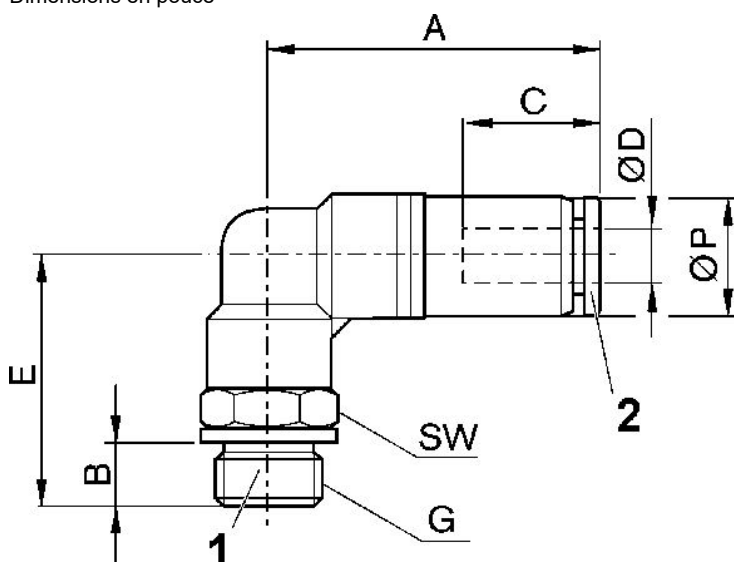
| Référence | Ø D | A | B | C | E | F | Ø N | X | Y |
|------------|-------|-------|------|-------|---|-------|-------|-------|-------|
| R432000466 | Ø5/32 | 1.474 | 37.4 | 0.63 | - | 0.37 | 0.67 | 0.473 | 0.394 |
| R432000463 | Ø1/4 | 1.635 | 41.5 | 0.67 | - | 0.39 | 0.801 | 0.552 | 0.473 |
| R432000465 | Ø5/16 | 1.86 | 47.2 | 0.729 | - | 0.418 | 0.906 | 0.63 | 0.552 |
| R432000464 | Ø 3/8 | 2.124 | 52.9 | 0.827 | - | 0.445 | 1.143 | 0.749 | 0.67 |
| R432000462 | Ø1/2 | 2.494 | 63.3 | 0.887 | - | 0.414 | 1.261 | 0.906 | 0.827 |

Valve de blocage, Série QR1-AVT

Filetage
Raccord instantané

| Raccord d'air comprimé 1 | Raccord d'air comprimé 2 | Débit nominal Qn 1 vers 2 [l/min] | Matériau boîtiers | Référence |
|--------------------------|--------------------------|-----------------------------------|-------------------|------------|
| 10-32 UNF | Ø5/32 | 300 | Laiton | R432000456 |
| 10-32 UNF | Ø1/4 | 300 | Laiton | R432000448 |
| 1/8 NPT | Ø5/32 | 300 | Laiton | R432000455 |
| 1/8 NPT | Ø1/4 | 300 | Laiton | R432000446 |
| 1/8 NPT | Ø5/16 | 300 | Laiton | R432000452 |
| 1/4 NPT | Ø1/4 | 300 | Laiton | R432000447 |
| 1/4 NPT | Ø5/16 | 300 | Laiton | R432000453 |
| 1/4 NPT | Ø 3/8 | 300 | Laiton | R432000449 |
| 3/8 NPT | Ø5/16 | 300 | Laiton | R432000454 |
| 3/8 NPT | Ø 3/8 | 300 | Laiton | R432000450 |
| 3/8 NPT | Ø1/2 | 300 | Laiton | R432000444 |
| 1/2 NPT | Ø 3/8 | 300 | Laiton | R432000451 |
| 1/2 NPT | Ø1/2 | 300 | Laiton | R432000445 |

Dimensions en pouce



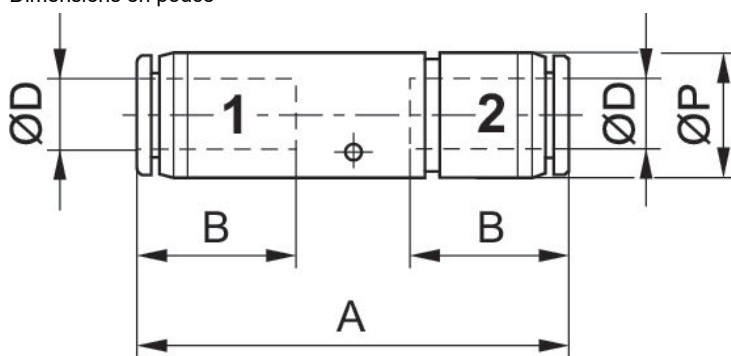
| Référence | G | Ø D | A | B | C | E | SW | Ø P |
|------------|---|-----|-------|-------|-------|-------|-------|-------|
| R432000456 | | | 1.21 | 0.217 | 0.63 | 0.871 | 7/16 | 0.411 |
| R432000448 | | | 1.257 | 0.217 | 0.67 | 0.89 | 1/2 | 0.489 |
| R432000455 | | | 1.21 | 0.315 | 0.63 | 0.969 | 7/16 | 0.411 |
| R432000446 | | | 1.257 | 0.315 | 0.67 | 0.945 | 1/2 | 0.489 |
| R432000452 | | | 1.608 | 0.315 | 0.729 | 1.064 | 9/16 | 0.567 |
| R432000447 | | | 1.257 | 0.433 | 0.67 | 1.103 | 9/16 | 0.489 |
| R432000453 | | | 1.608 | 0.433 | 0.729 | 1.221 | 9/16 | 0.567 |
| R432000449 | | | 1.875 | 0.433 | 0.827 | 1.379 | 11/16 | 0.693 |
| R432000454 | | | 1.608 | 0.473 | 0.729 | 1.261 | 11/16 | 0.567 |
| R432000450 | | | 1.875 | 0.473 | 0.827 | 1.418 | 11/16 | 0.693 |
| R432000444 | | | 2.187 | 0.473 | 0.887 | 1.497 | 7/8 | 0.835 |
| R432000451 | | | 1.875 | 0.591 | 0.827 | 1.537 | 7/8 | 0.693 |
| R432000445 | | | 2.187 | 0.591 | 0.887 | 1.615 | 7/8 | 0.835 |

Clapet anti-retour, Série QR1-SKR

Raccord instantané
Raccord instantané

| Raccord d'air comprimé 1 | Raccord d'air comprimé 2 | Débit nominal Qn 1 vers 2 [l/min] | Matériau boîtiers | Référence |
|--------------------------|--------------------------|-----------------------------------|---------------------------------|------------|
| Ø5/32 | Ø5/32 | 280 | Polybutylène téréphtalate (PBT) | R432000433 |
| Ø1/4 | Ø1/4 | 280 | Polybutylène téréphtalate (PBT) | R432000430 |
| Ø5/16 | Ø5/16 | 280 | Polybutylène téréphtalate (PBT) | R432000432 |
| Ø 3/8 | Ø 3/8 | 280 | Polybutylène téréphtalate (PBT) | R432000431 |
| Ø1/2 | Ø1/2 | 280 | Polybutylène téréphtalate (PBT) | R432000429 |

Dimensions en pouce



| Référence | Ø D | Ø D | A | B | Ø P |
|------------|-------|-------|-------|-------|-------|
| R432000433 | Ø5/32 | Ø5/32 | 1.407 | 0.63 | 0.394 |
| R432000430 | Ø1/4 | Ø1/4 | 1.639 | 0.67 | 0.489 |
| R432000432 | Ø5/16 | Ø5/16 | 2.033 | 0.729 | 0.567 |
| R432000431 | Ø 3/8 | Ø 3/8 | 3.046 | 0.827 | 0.985 |
| R432000429 | Ø1/2 | Ø1/2 | 3.152 | 0.887 | 0.985 |

Efficient pneumatic solutions, our program: cylinders and drives, valves and valve systems, air supply management



Visit us: [Emerson.com/Aventics](https://www.emerson.com/aventics)

Your local contact: [Emerson.com/contactus](https://www.emerson.com/contactus)



[Emerson.com](https://www.emerson.com)



[Facebook.com/EmersonAutomationSolutions](https://www.facebook.com/EmersonAutomationSolutions)



[LinkedIn.com/company/Emerson-Automation-Solutions](https://www.linkedin.com/company/Emerson-Automation-Solutions)



[Twitter.com/EMR_Automation](https://twitter.com/EMR_Automation)

An example configuration is depicted on the title page. The delivered product may thus vary from that in the illustration. Subject to change. This Document, as well as the data, specifications and other information set forth in it, are the exclusive property of AVENTICS GmbH. It may not be reproduced or given to third parties without its consent. Only use the AVENTICS products shown in industrial applications. Read the product documentation completely and carefully before using the product. Observe the applicable regulations and laws of the respective country. When integrating the product into applications, note the system manufacturer's specifications for safe use of the product. The data specified only serve to describe the product. No statements concerning a certain condition or suitability for a certain application can be derived from our information. The information given does not release the user from the obligation of own judgment and verification. It must be remembered that the products are subject to a natural process of wear and aging.

The Emerson logo is a trademark and service mark of Emerson Electric Co. Brand logotype are registered trademarks of one of the Emerson family of companies. All other marks are the property of their respective owners. © 2019 Emerson Electric Co. All rights reserved.



CONSIDER IT SOLVED™