

QR1



AVENTICS™

**AVENTICS Series QR1 Non-
return and check valves**


EMERSON™

Series QR1

AVENTICS Series QR1 Non-return and check valve are designed for safety-relevant processes, the valves enable automatic blocking of the air supply to immediately stop the working stroke.

- $Q_n = 280 \text{ l/min} \dots 2000 \text{ l/min}$
- Due to product optimisation, the delivered article may currently deviate from the dimensions shown.



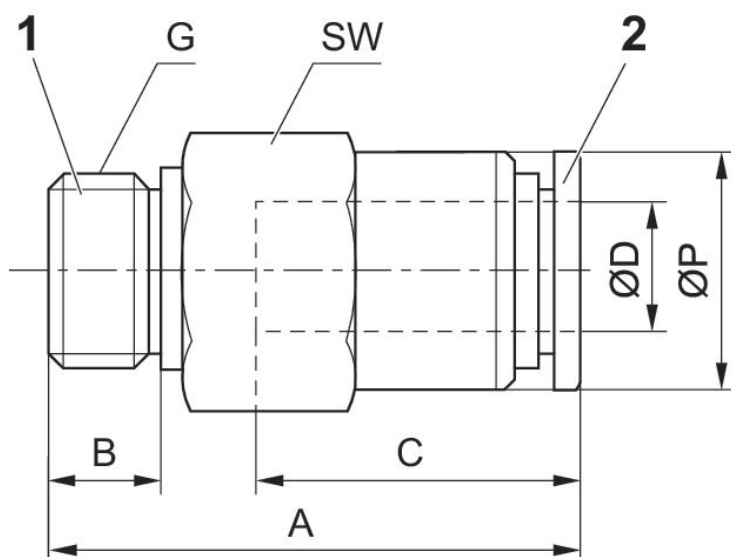
Blocking valve, Series QR1-AAN

External thread
push-in fitting



Compressed air connection 1	Compressed air connection 2	Nominal flow Qn 1 to 2 [l/min]	Housing material	Part No.
G 1/8	Ø 4	300	Brass	R412005526
G 1/8	Ø 6	700	Brass	R412005527
G 1/4	Ø 6	700	Brass	R412005528
G 1/4	Ø 8	900	Brass	R412005529

Dimensions



Part No.	G	Ø D	A	B	C	SW	Ø P
R412005526	G 1/8	Ø 4	26.6	5	16	14	10
R412005527	G 1/4	Ø 6	26.9	5	17	14	12
R412005528	G 1/8	Ø 6	29.4	6	17	17	13
R412005529	G 1/8	Ø 8	33.8	6	18.5	17	14

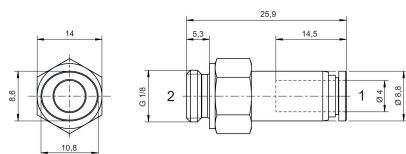
Non-return valve, Series QR1-ANR

External thread
push-in fitting

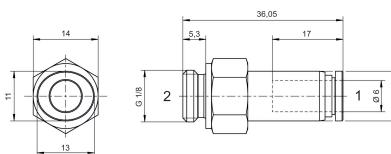


Compressed air connection 1	Compressed air connection 2	Nominal flow Qn 1 to 2 [l/min]	Housing material	Part No.
Ø 4	G 1/8	280	Brass	R412005565
Ø 6	G 1/8	600	Brass	R412005566
Ø 6	G 1/4	600	Brass	R412005568
Ø 8	G 1/4	900	Brass	R412005569

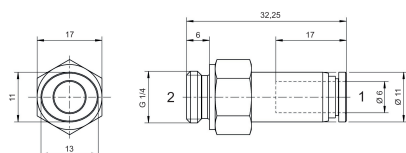
R412005565



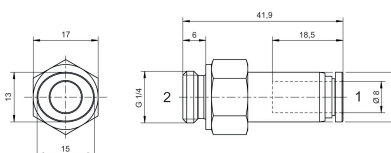
R412005566



R412005568



R412005569



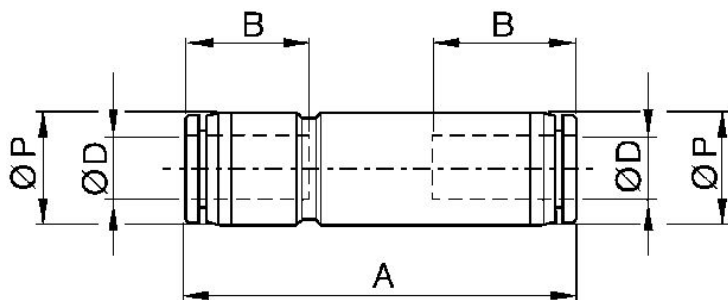
Blocking valve, Series QR1-ASK

push-in fitting
push-in fitting



Compressed air connection 1	Compressed air connection 2	Nominal flow Qn 1 to 2 [l/min]	Housing material	Part No.
Ø 4	Ø 4	300	Polybutyleneterephthalate	R412005547
Ø 6	Ø 6	700	Polybutyleneterephthalate	R412005548
Ø 8	Ø 8	900	Polybutyleneterephthalate	R412005549
Ø 10	Ø 10	1500	Aluminum	R412005550

Dimensions



Part No.	Ø D	Ø D	A	B	Ø P
R412005547	Ø 4	Ø 4	42.9	16	10
R412005548	Ø 6	Ø 6	46.9	17	12.4
R412005549	Ø 8	Ø 8	52.6	18.5	14.4
R412005550	Ø 10	Ø 10	59.2	21	17.6
R412005551	Ø 12	Ø 12	71.8	22	21.2

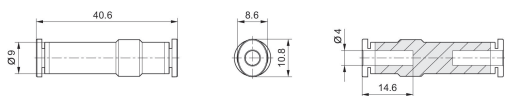
Non-return valve, Series QR1-SKR

push-in fitting
push-in fitting

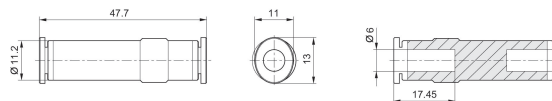


Compressed air connection 1	Compressed air connection 2	Nominal flow Qn 1 to 2 [l/min]	Housing material	Part No.
Ø 4	Ø 4	280	Polyamide	R412005573
Ø 6	Ø 6	600	Polyamide	R412005574
Ø 8	Ø 8	1800	Polyamide	R412005575
Ø 10	Ø 10	1800	Aluminum	R412005576
Ø 12	Ø 12	2000	Aluminum	R412005577

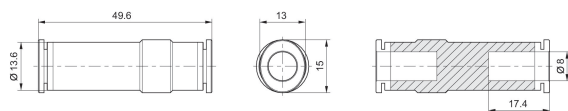
R412005573



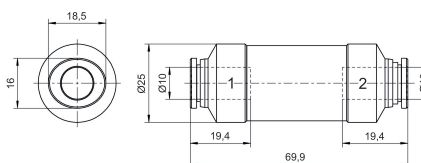
R412005574



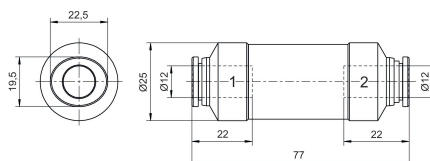
R412005575



R412005576



R412005577



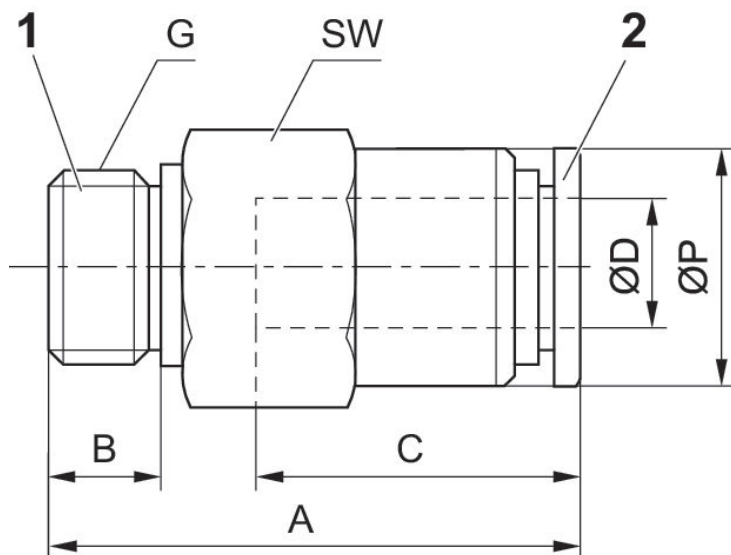
Blocking valve, Series QR1-AAN

External thread
push-in fitting



Compressed air connection 1	Compressed air connection 2	Nominal flow Qn 1 to 2 [l/min]	Housing material	Part No.
1/8 NPT	Ø5/32	300	Brass	R432000442
1/8 NPT	Ø1/4	300	Brass	R432000436
1/4 NPT	Ø1/4	300	Brass	R432000437
1/4 NPT	Ø5/16	300	Brass	R432000440
3/8 NPT	Ø5/16	300	Brass	R432000441
3/8 NPT	Ø 3/8	300	Brass	R432000438
3/8 NPT	Ø1/2	300	Brass	R432000434
1/2 NPT	Ø 3/8	300	Brass	R432000439
1/2 NPT	Ø1/2	300	Brass	R432000435

Dimensions in inches



Part No.	G	Ø D	A	B	C	SW	Ø P
R432000442	1/8 NPT	Ø5/32	1.004	0.315	0.63	7/16	0.394
R432000436	1/8 NPT	Ø1/4	1.095	0.315	0.67	1/2	0.473
R432000437	1/4 NPT	Ø1/4	1.095	0.433	0.67	9/16	0.552

Part No.	G	Ø D	A	B	C	SW	Ø P
R432000440	1/4 NPT	Ø5/16	1.253	0.433	0.729	9/16	0.552
R432000441	3/8 NPT	Ø5/16	1.253	0.473	0.729	11/16	0.67
R432000438	3/8 NPT	Ø 3/8	1.422	0.473	0.827	11/16	0.67
R432000434	3/8 NPT	Ø 1/2	1.749	0.473	0.887	7/8	0.796
R432000439	1/2 NPT	Ø 3/8	1.422	0.591	0.827	7/8	0.709
R432000435	1/2 NPT	Ø 1/2	1.741	0.591	0.887	7/8	0.796

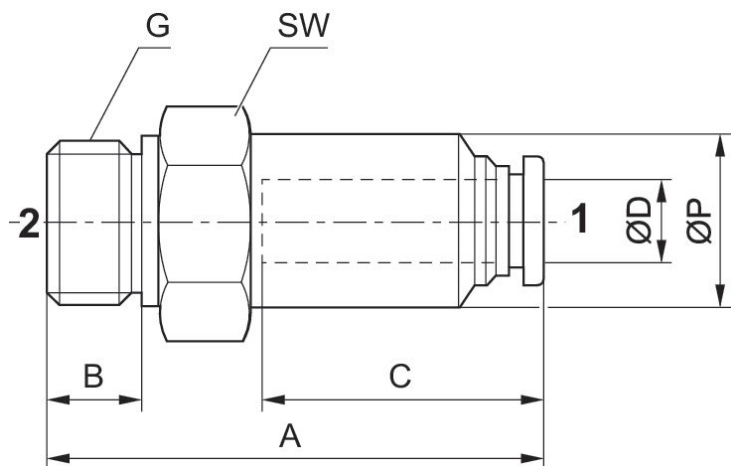
Non-return valve, Series QR1-ANR

External thread
push-in fitting



Compressed air connection 1	Compressed air connection 2	Housing material	Part No.
Ø5/32	10-32 UNF	Brass	R432000424
Ø5/32	1/8 NPT	Brass	R432000423
Ø5/16	1/8 NPT	Brass	R432000422
Ø1/4	1/8 NPT	Brass	R432000417
Ø1/4	1/4 NPT	Brass	R432000418
Ø1/4	1/4 NPT	Brass	R432000421
Ø 3/8	3/8 NPT	Brass	R432000419
Ø1/2	3/8 NPT	Brass	R432000415
Ø 3/8	1/2 NPT	Brass	R432000420
Ø1/2	1/2 NPT	Brass	R432000416

Dimensions in inches



Part No.	G	Ø D	A	B	C	SW	Ø P
R432000424	10-32 UNF	Ø5/32	1.182	0.217	0.63	7/16	0.394
R432000423	1/8 NPT	Ø5/32	1.221	0.315	0.63	7/16	0.394
R432000422	1/8 NPT	Ø5/16	1.127	0.315	0.729	9/16	0.406
R432000417	1/8 NPT	Ø1/4	0.973	0.315	0.67	1/2	0.473
R432000418	1/4 NPT	Ø1/4	1.127	0.433	0.67	1/2	0.511

Part No.	G	Ø D	A	B	C	SW	Ø P
R432000421	1/4 NPT	Ø1/4	1.127	0.433	0.729	9/16	0.406
R432000419	3/8 NPT	Ø 3/8	2.45	0.473	0.827	11/16	0.989
R432000415	3/8 NPT	Ø1/2	2.537	0.473	0.887	7/8	0.985
R432000420	1/2 NPT	Ø 3/8	2.466	0.591	0.827	7/8	1.103
R432000416	1/2 NPT	Ø1/2	2.778	0.591	0.887	7/8	1.103

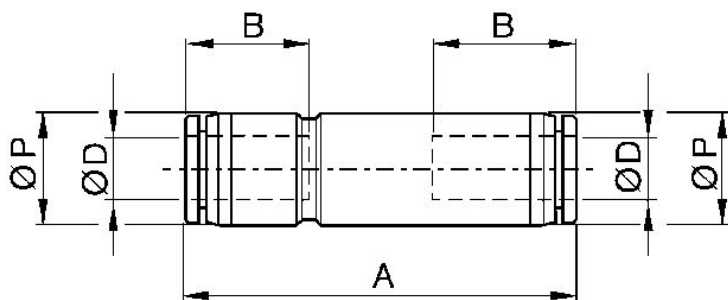
Blocking valve, Series QR1-ASK

push-in fitting
push-in fitting



Compressed air connection 1	Compressed air connection 2	Nominal flow Qn 1 to 2 [l/min]	Housing material	Part No.
Ø5/32	Ø5/32	300	Polybutyleneterephthalate	R432000461
Ø1/4	Ø1/4	300	Polybutyleneterephthalate	R432000458
Ø5/16	Ø5/16	300	Polybutyleneterephthalate	R432000460
Ø 3/8	Ø 3/8	300	Polybutyleneterephthalate	R432000459
Ø1/2	Ø1/2	300	Polybutyleneterephthalate	R432000457

Dimensions in inches



Part No.	Ø D	Ø D	A	B	Ø P
R432000461	Ø5/32	Ø5/32	1.69	0.63	0.394
R432000458	Ø1/4	Ø1/4	1.86	0.67	0.489
R432000460	Ø5/16	Ø5/16	2.072	0.729	0.567
R432000459	Ø 3/8	Ø 3/8	2.38	0.827	0.693
R432000457	Ø1/2	Ø1/2	2.774	0.887	0.835

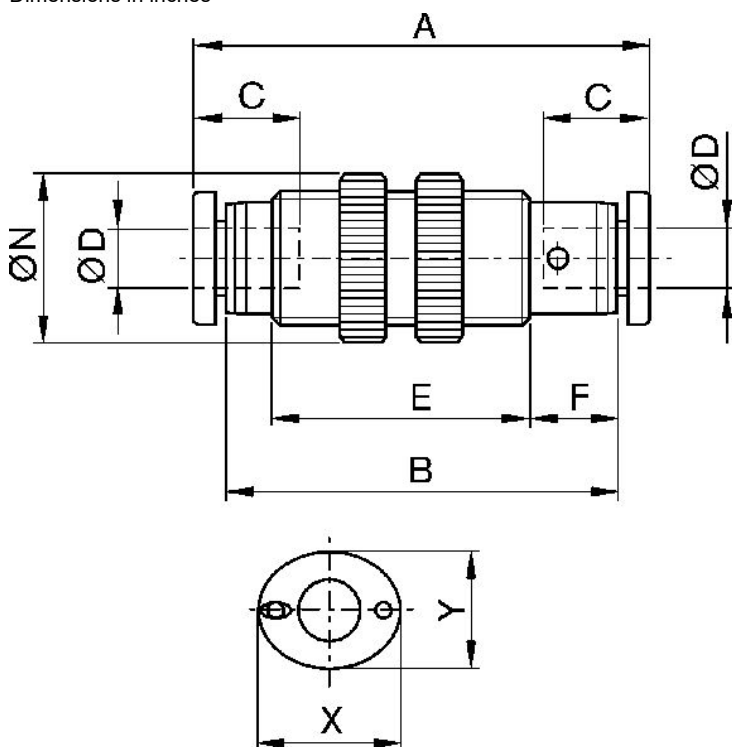
Blocking valve, Series QR1-ASS

push-in fitting
push-in fitting



Compressed air connection 1	Compressed air connection 2	Nominal flow Qn 1 to 2 [l/min]	Housing material	Part No.
Ø5/32	Ø5/32	300	Polybutyleneterephthalate	R432000466
Ø1/4	Ø1/4	300	Polybutyleneterephthalate	R432000463
Ø5/16	Ø5/16	300	Polybutyleneterephthalate	R432000465
Ø 3/8	Ø 3/8	300	Polybutyleneterephthalate	R432000464
Ø1/2	Ø1/2	300	Polybutyleneterephthalate	R432000462

Dimensions in inches

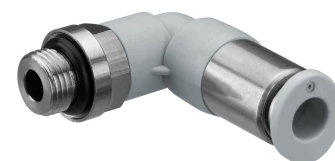


Part No.	Ø D	A	B	C	E	F	Ø N	X	Y
R432000466	Ø5/32	1.474	37.4	0.63	-	0.37	0.67	0.473	0.394
R432000463	Ø1/4	1.635	41.5	0.67	-	0.39	0.801	0.552	0.473
R432000465	Ø5/16	1.86	47.2	0.729	-	0.418	0.906	0.63	0.552

Part No.	Ø D	A	B	C	E	F	Ø N	X	Y
R432000464	Ø 3/8	2.124	52.9	0.827	-	0.445	1.143	0.749	0.67
R432000462	Ø1/2	2.494	63.3	0.887	-	0.414	1.261	0.906	0.827

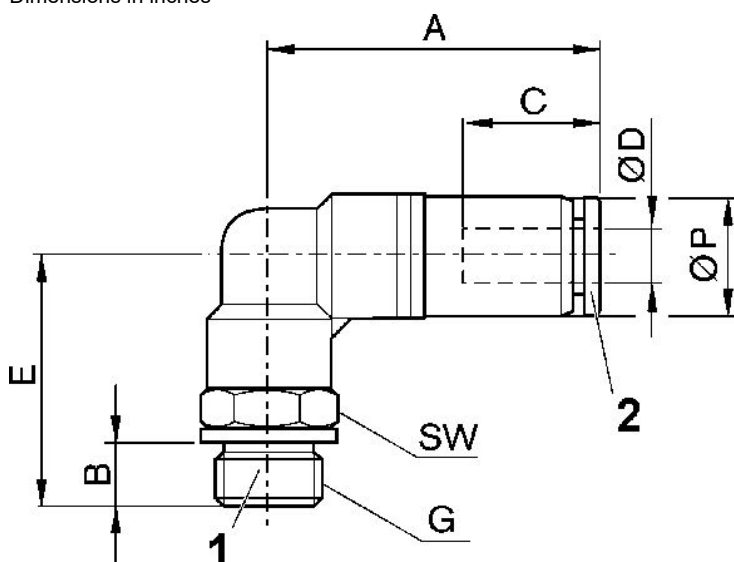
Blocking valve, Series QR1-AVT

External thread
push-in fitting



Compressed air connection 1	Compressed air connection 2	Nominal flow Qn 1 to 2 [l/min]	Housing material	Part No.
10-32 UNF	Ø5/32	300	Brass	R432000456
10-32 UNF	Ø1/4	300	Brass	R432000448
1/8 NPT	Ø5/32	300	Brass	R432000455
1/8 NPT	Ø1/4	300	Brass	R432000446
1/8 NPT	Ø5/16	300	Brass	R432000452
1/4 NPT	Ø1/4	300	Brass	R432000447
1/4 NPT	Ø5/16	300	Brass	R432000453
1/4 NPT	Ø 3/8	300	Brass	R432000449
3/8 NPT	Ø5/16	300	Brass	R432000454
3/8 NPT	Ø 3/8	300	Brass	R432000450
3/8 NPT	Ø1/2	300	Brass	R432000444
1/2 NPT	Ø 3/8	300	Brass	R432000451
1/2 NPT	Ø1/2	300	Brass	R432000445

Dimensions in inches



Part No.	G	Ø D	A	B	C	E	SW	Ø P
R432000456			1.21	0.217	0.63	0.871	7/16	0.411
R432000448			1.257	0.217	0.67	0.89	1/2	0.489
R432000455			1.21	0.315	0.63	0.969	7/16	0.411
R432000446			1.257	0.315	0.67	0.945	1/2	0.489
R432000452			1.608	0.315	0.729	1.064	9/16	0.567
R432000447			1.257	0.433	0.67	1.103	9/16	0.489
R432000453			1.608	0.433	0.729	1.221	9/16	0.567
R432000449			1.875	0.433	0.827	1.379	11/16	0.693
R432000454			1.608	0.473	0.729	1.261	11/16	0.567
R432000450			1.875	0.473	0.827	1.418	11/16	0.693
R432000444			2.187	0.473	0.887	1.497	7/8	0.835
R432000451			1.875	0.591	0.827	1.537	7/8	0.693
R432000445			2.187	0.591	0.887	1.615	7/8	0.835

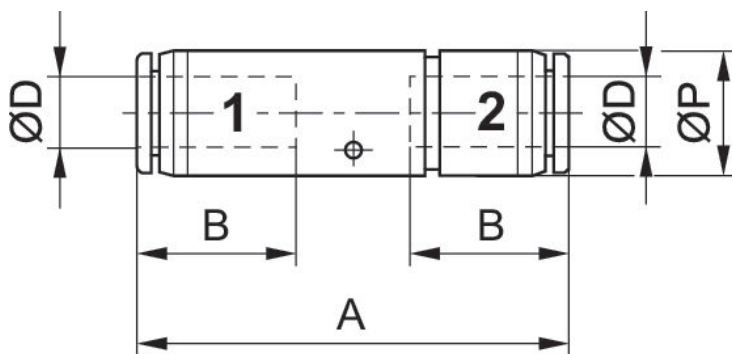
Non-return valve, Series QR1-SKR

push-in fitting
push-in fitting



Compressed air connection 1	Compressed air connection 2	Nominal flow Qn 1 to 2 [l/min]	Housing material	Part No.
Ø5/32	Ø5/32	280	Polybutyleneterephthalate	R432000433
Ø1/4	Ø1/4	280	Polybutyleneterephthalate	R432000430
Ø5/16	Ø5/16	280	Polybutyleneterephthalate	R432000432
Ø 3/8	Ø 3/8	280	Polybutyleneterephthalate	R432000431
Ø1/2	Ø1/2	280	Polybutyleneterephthalate	R432000429

Dimensions in inches



Part No.	Ø D	Ø D	A	B	Ø P
R432000433	Ø5/32	Ø5/32	1.407	0.63	0.394
R432000430	Ø1/4	Ø1/4	1.639	0.67	0.489
R432000432	Ø5/16	Ø5/16	2.033	0.729	0.567
R432000431	Ø 3/8	Ø 3/8	3.046	0.827	0.985
R432000429	Ø1/2	Ø1/2	3.152	0.887	0.985

Efficient pneumatic solutions, our program: cylinders and drives, valves and valve systems, air supply management



Visit us: [Emerson.com/Aventics](https://www.emerson.com/aventics)

Your local contact: [Emerson.com/contactus](https://www.emerson.com/contactus)



[Emerson.com](https://www.emerson.com)



[Facebook.com/EmersonAutomationSolutions](https://www.facebook.com/EmersonAutomationSolutions)



[LinkedIn.com/company/Emerson-Automation-Solutions](https://www.linkedin.com/company/Emerson-Automation-Solutions)



[Twitter.com/EMR_Automation](https://twitter.com/EMR_Automation)

An example configuration is depicted on the title page. The delivered product may thus vary from that in the illustration. Subject to change. This Document, as well as the data, specifications and other information set forth in it, are the exclusive property of AVENTICS GmbH. It may not be reproduced or given to third parties without its consent. Only use the AVENTICS products shown in industrial applications. Read the product documentation completely and carefully before using the product. Observe the applicable regulations and laws of the respective country. When integrating the product into applications, note the system manufacturer's specifications for safe use of the product. The data specified only serve to describe the product. No statements concerning a certain condition or suitability for a certain application can be derived from our information. The information given does not release the user from the obligation of own judgment and verification. It must be remembered that the products are subject to a natural process of wear and aging.

The Emerson logo is a trademark and service mark of Emerson Electric Co. Brand logotype are registered trademarks of one of the Emerson family of companies. All other marks are the property of their respective owners. © 2019 Emerson Electric Co. All rights reserved.



CONSIDER IT SOLVED™