

QR1



AVENTICS™

AVENTICS Serie QR1  
Rückschlagventile

  
EMERSON™

## Serie QR1

Die AVENTICS Serie QR1 Rückschlagventile für sicherheitsrelevante Prozesse ermöglichen ein automatisches Sperren der Luftzufuhr, das Arbeitshübe schlagartig stoppt.

- $Q_n = 280 \text{ l/min} \dots 2000 \text{ l/min}$
- Aufgrund von Produktoptimierung kann der ausgelieferte Artikel aktuell von den dargestellten Abmessungen abweichen.



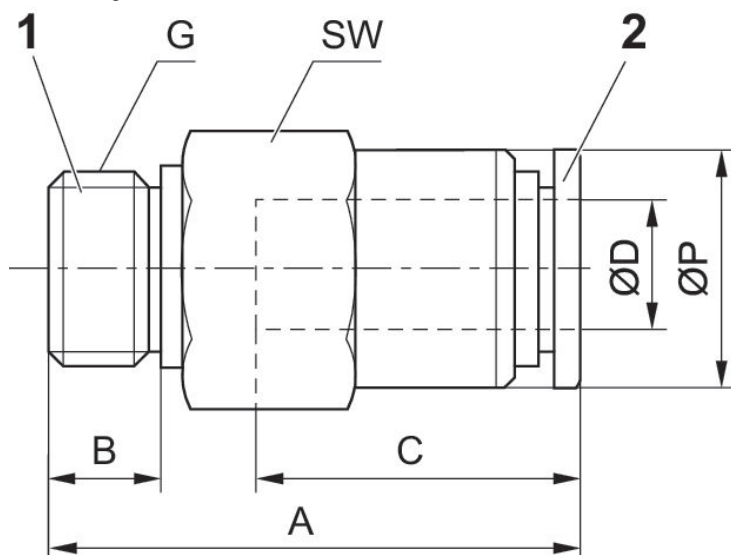
### Sperrventil, Serie QR1-AAN

Außengewinde  
Steckanschluss



Druckluftanschluss 1	Druckluftanschluss 2	Nenndurchfluss Qn 1 zu 2 [l/min]	Werkstoff Gehäuse	Materialnummer
G 1/8	Ø 4	300	Messing	R412005526
G 1/8	Ø 6	700	Messing	R412005527
G 1/4	Ø 6	700	Messing	R412005528
G 1/4	Ø 8	900	Messing	R412005529

Abmessungen



Materialnummer	G	Ø D	A	B	C	SW	Ø P
R412005526	G 1/8	Ø 4	26.6	5	16	14	10
R412005527	G 1/4	Ø 6	26.9	5	17	14	12
R412005528	G 1/8	Ø 6	29.4	6	17	17	13
R412005529	G 1/8	Ø 8	33.8	6	18.5	17	14

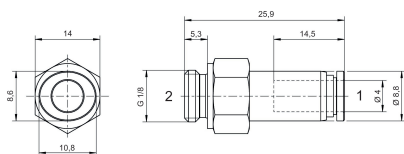
## Rückschlagventil, Serie QR1-ANR

Außengewinde  
Steckanschluss

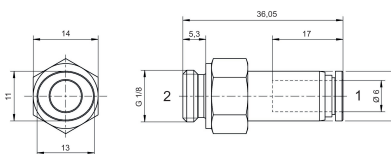


Druckluftanschluss 1	Druckluftanschluss 2	Nenndurchfluss Qn 1 zu 2 [l/min]	Werkstoff Gehäuse	Materialnummer
Ø 4	G 1/8	280	Messing	R412005565
Ø 6	G 1/8	600	Messing	R412005566
Ø 6	G 1/4	600	Messing	R412005568
Ø 8	G 1/4	900	Messing	R412005569

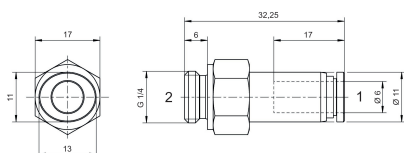
### R412005565



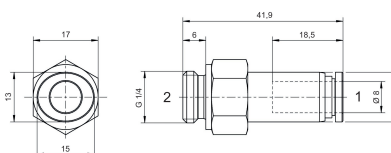
### R412005566



### R412005568



### R412005569



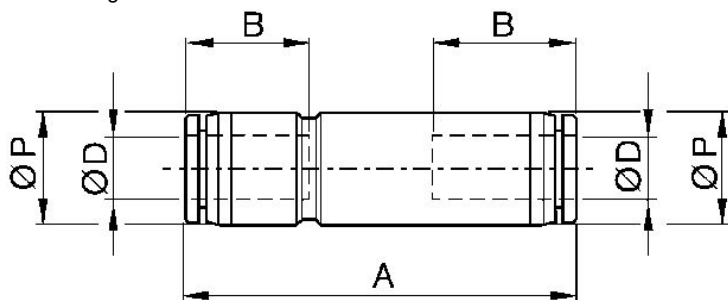
Sperrventil, Serie QR1-ASK

Steckanschluss  
Steckanschluss



Druckluftanschluss 1	Druckluftanschluss 2	Nenndurchfluss Qn 1 zu 2 [l/min]	Werkstoff Gehäuse	Materialnummer
Ø 4	Ø 4	300	Polybutylenterephthalat	R412005547
Ø 6	Ø 6	700	Polybutylenterephthalat	R412005548
Ø 8	Ø 8	900	Polybutylenterephthalat	R412005549
Ø 10	Ø 10	1500	Aluminium	R412005550

Abmessungen



Materialnummer	Ø D	Ø D	A	B	Ø P
R412005547	Ø 4	Ø 4	42.9	16	10
R412005548	Ø 6	Ø 6	46.9	17	12.4
R412005549	Ø 8	Ø 8	52.6	18.5	14.4
R412005550	Ø 10	Ø 10	59.2	21	17.6
R412005551	Ø 12	Ø 12	71.8	22	21.2

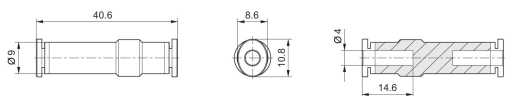
## Rückschlagventil, Serie QR1-SKR

Steckanschluss  
Steckanschluss

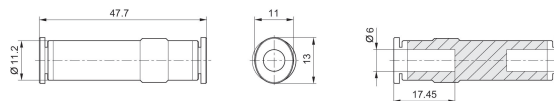


Druckluftanschluss 1	Druckluftanschluss 2	Nenndurchfluss Qn 1 zu 2 [l/min]	Werkstoff Gehäuse	Materialnummer
Ø 4	Ø 4	280	Polyamid	R412005573
Ø 6	Ø 6	600	Polyamid	R412005574
Ø 8	Ø 8	1800	Polyamid	R412005575
Ø 10	Ø 10	1800	Aluminium	R412005576
Ø 12	Ø 12	2000	Aluminium	R412005577

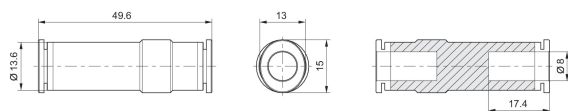
### R412005573



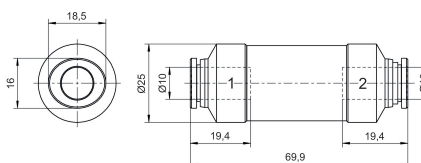
### R412005574



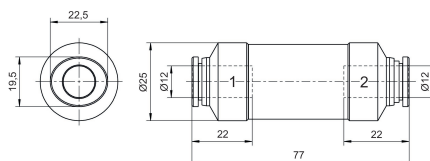
### R412005575



### R412005576



### R412005577



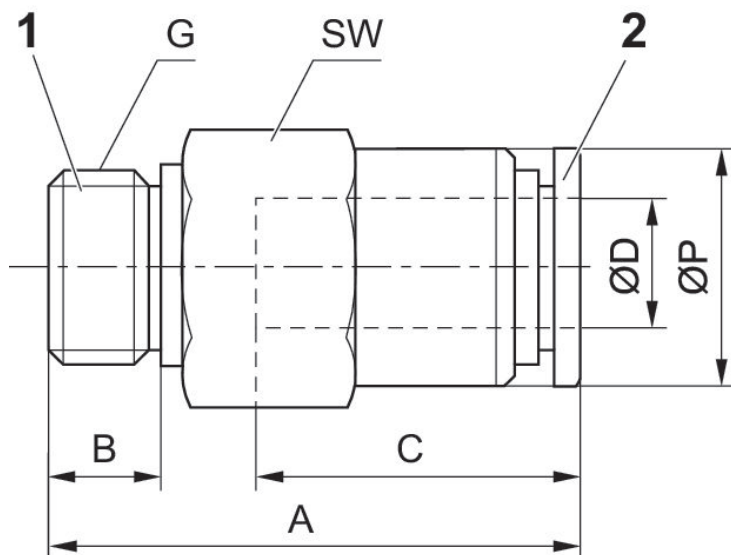
### Sperrventil, Serie QR1-AAN

Außengewinde  
Steckanschluss



Druckluftanschluss 1	Druckluftanschluss 2	Nenndurchfluss Qn 1 zu 2 [l/min]	Werkstoff Gehäuse	Materialnummer
1/8 NPT	Ø5/32	300	Messing	R432000442
1/8 NPT	Ø1/4	300	Messing	R432000436
1/4 NPT	Ø1/4	300	Messing	R432000437
1/4 NPT	Ø5/16	300	Messing	R432000440
3/8 NPT	Ø5/16	300	Messing	R432000441
3/8 NPT	Ø 3/8	300	Messing	R432000438
3/8 NPT	Ø1/2	300	Messing	R432000434
1/2 NPT	Ø 3/8	300	Messing	R432000439
1/2 NPT	Ø1/2	300	Messing	R432000435

Abmessungen in inch



Materialnummer	G	Ø D	A	B	C	SW	Ø P
R432000442	1/8 NPT	Ø5/32	1.004	0.315	0.63	7/16	0.394
R432000436	1/8 NPT	Ø1/4	1.095	0.315	0.67	1/2	0.473
R432000437	1/4 NPT	Ø1/4	1.095	0.433	0.67	9/16	0.552

Material- nummer	G	Ø D	A	B	C	SW	Ø P
R432000440	1/4 NPT	Ø5/16	1.253	0.433	0.729	9/16	0.552
R432000441	3/8 NPT	Ø5/16	1.253	0.473	0.729	11/16	0.67
R432000438	3/8 NPT	Ø 3/8	1.422	0.473	0.827	11/16	0.67
R432000434	3/8 NPT	Ø 1/2	1.749	0.473	0.887	7/8	0.796
R432000439	1/2 NPT	Ø 3/8	1.422	0.591	0.827	7/8	0.709
R432000435	1/2 NPT	Ø 1/2	1.741	0.591	0.887	7/8	0.796



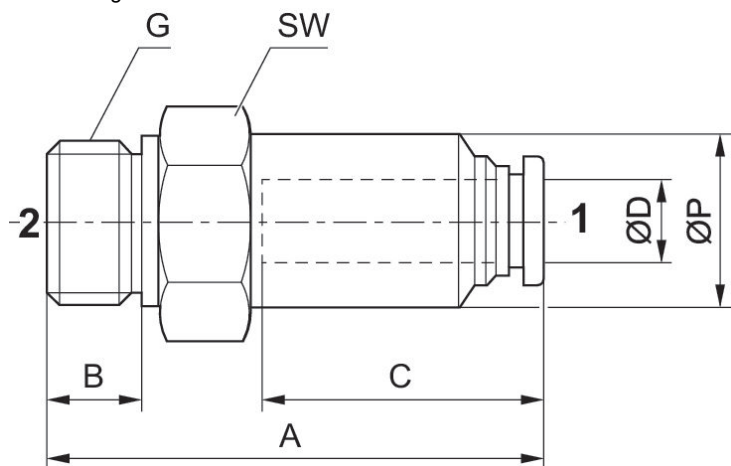
## Rückschlagventil, Serie QR1-ANR

Außengewinde  
Steckanschluss



Druckluftanschluss 1	Druckluftanschluss 2	Werkstoff Gehäuse	Materialnummer
Ø5/32	10-32 UNF	Messing	R432000424
Ø5/32	1/8 NPT	Messing	R432000423
Ø5/16	1/8 NPT	Messing	R432000422
Ø1/4	1/8 NPT	Messing	R432000417
Ø1/4	1/4 NPT	Messing	R432000418
Ø1/4	1/4 NPT	Messing	R432000421
Ø 3/8	3/8 NPT	Messing	R432000419
Ø1/2	3/8 NPT	Messing	R432000415
Ø 3/8	1/2 NPT	Messing	R432000420
Ø1/2	1/2 NPT	Messing	R432000416

Abmessungen in inch

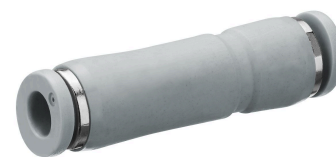


Materialnummer	G	Ø D	A	B	C	SW	Ø P
R432000424	10-32 UNF	Ø5/32	1.182	0.217	0.63	7/16	0.394
R432000423	1/8 NPT	Ø5/32	1.221	0.315	0.63	7/16	0.394
R432000422	1/8 NPT	Ø5/16	1.127	0.315	0.729	9/16	0.406
R432000417	1/8 NPT	Ø1/4	0.973	0.315	0.67	1/2	0.473
R432000418	1/4 NPT	Ø1/4	1.127	0.433	0.67	1/2	0.511

Material- nummer	G	Ø D	A	B	C	SW	Ø P
R432000421	1/4 NPT	Ø1/4	1.127	0.433	0.729	9/16	0.406
R432000419	3/8 NPT	Ø 3/8	2.45	0.473	0.827	11/16	0.989
R432000415	3/8 NPT	Ø1/2	2.537	0.473	0.887	7/8	0.985
R432000420	1/2 NPT	Ø 3/8	2.466	0.591	0.827	7/8	1.103
R432000416	1/2 NPT	Ø1/2	2.778	0.591	0.887	7/8	1.103

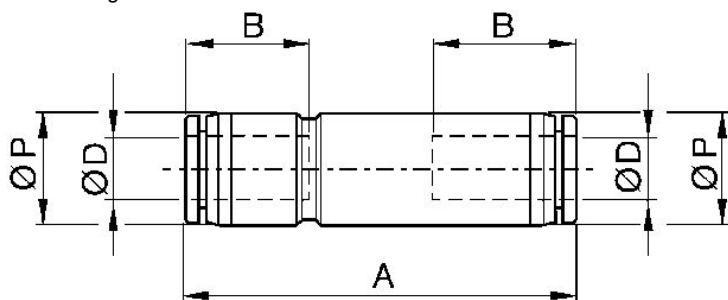
Sperrventil, Serie QR1-ASK

Steckanschluss  
Steckanschluss



Druckluftanschluss 1	Druckluftanschluss 2	Nenndurchfluss Qn 1 zu 2 [l/min]	Werkstoff Gehäuse	Materialnummer
Ø5/32	Ø5/32	300	Polybutylenterephthalat	R432000461
Ø1/4	Ø1/4	300	Polybutylenterephthalat	R432000458
Ø5/16	Ø5/16	300	Polybutylenterephthalat	R432000460
Ø 3/8	Ø 3/8	300	Polybutylenterephthalat	R432000459
Ø1/2	Ø1/2	300	Polybutylenterephthalat	R432000457

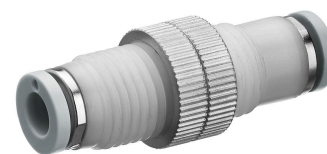
Abmessungen in inch



Materialnummer	Ø D	Ø D	A	B	Ø P
R432000461	Ø5/32	Ø5/32	1.69	0.63	0.394
R432000458	Ø1/4	Ø1/4	1.86	0.67	0.489
R432000460	Ø5/16	Ø5/16	2.072	0.729	0.567
R432000459	Ø 3/8	Ø 3/8	2.38	0.827	0.693
R432000457	Ø1/2	Ø1/2	2.774	0.887	0.835

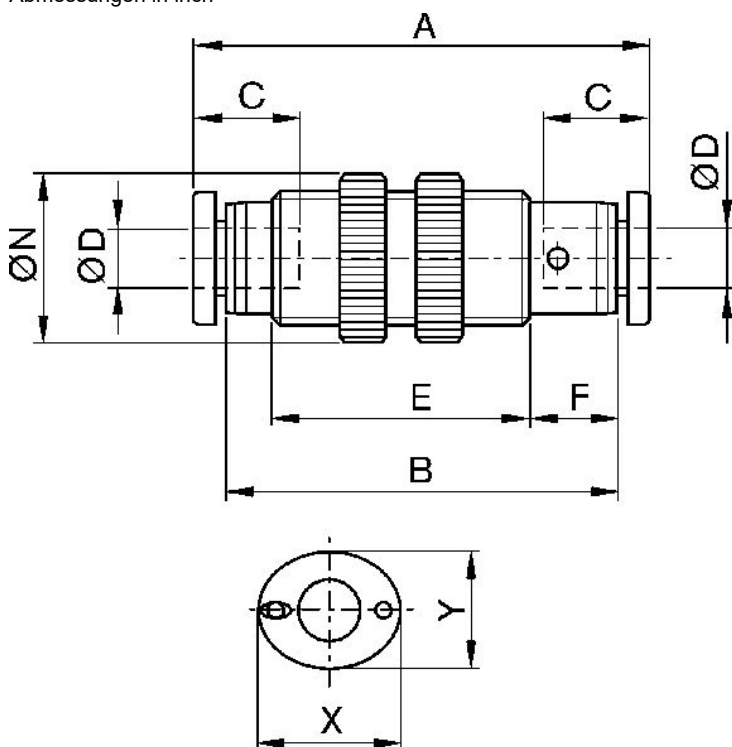
Sperrventil, Serie QR1-ASS

Steckanschluss  
Steckanschluss



Druckluftanschluss 1	Druckluftanschluss 2	Nenndurchfluss Qn 1 zu 2 [l/min]	Werkstoff Gehäuse	Materialnummer
Ø5/32	Ø5/32	300	Polybutylenterephthalat	R432000466
Ø1/4	Ø1/4	300	Polybutylenterephthalat	R432000463
Ø5/16	Ø5/16	300	Polybutylenterephthalat	R432000465
Ø 3/8	Ø 3/8	300	Polybutylenterephthalat	R432000464
Ø1/2	Ø1/2	300	Polybutylenterephthalat	R432000462

Abmessungen in inch

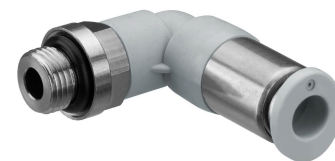


Materialnummer	Ø D	A	B	C	E	F	Ø N	X	Y
R432000466	Ø5/32	1.474	37.4	0.63	-	0.37	0.67	0.473	0.394
R432000463	Ø1/4	1.635	41.5	0.67	-	0.39	0.801	0.552	0.473
R432000465	Ø5/16	1.86	47.2	0.729	-	0.418	0.906	0.63	0.552

Material- nummer	Ø D	A	B	C	E	F	Ø N	X	Y
R432000464	Ø 3/8	2.124	52.9	0.827	-	0.445	1.143	0.749	0.67
R432000462	Ø 1/2	2.494	63.3	0.887	-	0.414	1.261	0.906	0.827

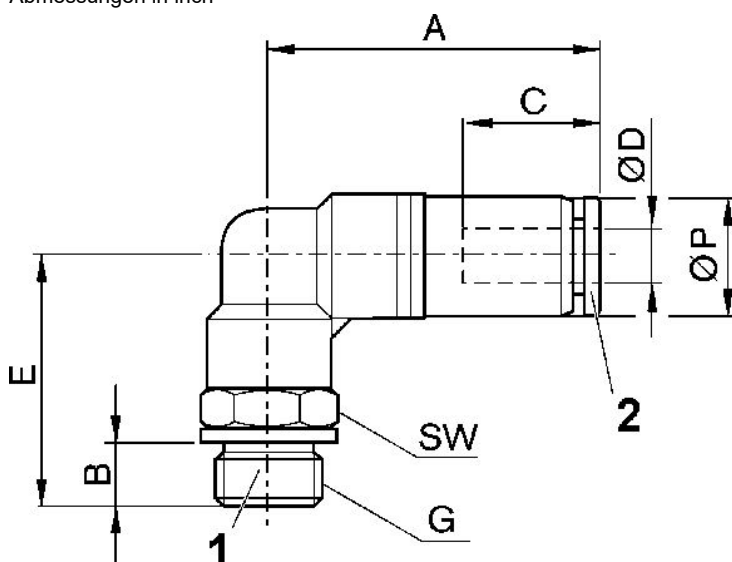
Sperrventil, Serie QR1-AVT

Außengewinde  
Steckanschluss



Druckluftanschluss 1	Druckluftanschluss 2	Nenndurchfluss Qn 1 zu 2 [l/min]	Werkstoff Gehäuse	Materialnummer
10-32 UNF	Ø5/32	300	Messing	R432000456
10-32 UNF	Ø1/4	300	Messing	R432000448
1/8 NPT	Ø5/32	300	Messing	R432000455
1/8 NPT	Ø1/4	300	Messing	R432000446
1/8 NPT	Ø5/16	300	Messing	R432000452
1/4 NPT	Ø1/4	300	Messing	R432000447
1/4 NPT	Ø5/16	300	Messing	R432000453
1/4 NPT	Ø 3/8	300	Messing	R432000449
3/8 NPT	Ø5/16	300	Messing	R432000454
3/8 NPT	Ø 3/8	300	Messing	R432000450
3/8 NPT	Ø1/2	300	Messing	R432000444
1/2 NPT	Ø 3/8	300	Messing	R432000451
1/2 NPT	Ø1/2	300	Messing	R432000445

Abmessungen in inch



Material- nummer	G	Ø D	A	B	C	E	SW	Ø P
R432000456			1.21	0.217	0.63	0.871	7/16	0.411
R432000448			1.257	0.217	0.67	0.89	1/2	0.489
R432000455			1.21	0.315	0.63	0.969	7/16	0.411
R432000446			1.257	0.315	0.67	0.945	1/2	0.489
R432000452			1.608	0.315	0.729	1.064	9/16	0.567
R432000447			1.257	0.433	0.67	1.103	9/16	0.489
R432000453			1.608	0.433	0.729	1.221	9/16	0.567
R432000449			1.875	0.433	0.827	1.379	11/16	0.693
R432000454			1.608	0.473	0.729	1.261	11/16	0.567
R432000450			1.875	0.473	0.827	1.418	11/16	0.693
R432000444			2.187	0.473	0.887	1.497	7/8	0.835
R432000451			1.875	0.591	0.827	1.537	7/8	0.693
R432000445			2.187	0.591	0.887	1.615	7/8	0.835

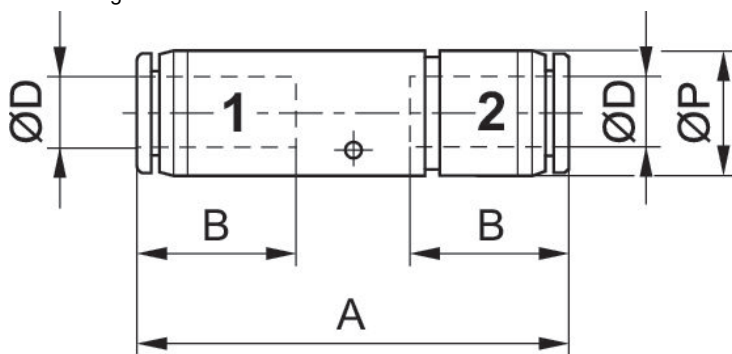
Rückschlagventil, Serie QR1-SKR

Steckanschluss  
Steckanschluss



Druckluftanschluss 1	Druckluftanschluss 2	Nenndurchfluss Qn 1 zu 2 [l/min]	Werkstoff Gehäuse	Materialnummer
Ø5/32	Ø5/32	280	Polybutylenterephthalat	R432000433
Ø1/4	Ø1/4	280	Polybutylenterephthalat	R432000430
Ø5/16	Ø5/16	280	Polybutylenterephthalat	R432000432
Ø 3/8	Ø 3/8	280	Polybutylenterephthalat	R432000431
Ø1/2	Ø1/2	280	Polybutylenterephthalat	R432000429

Abmessungen in inch



Materialnummer	Ø D	Ø D	A	B	Ø P
R432000433	Ø5/32	Ø5/32	1.407	0.63	0.394
R432000430	Ø1/4	Ø1/4	1.639	0.67	0.489
R432000432	Ø5/16	Ø5/16	2.033	0.729	0.567
R432000431	Ø 3/8	Ø 3/8	3.046	0.827	0.985
R432000429	Ø1/2	Ø1/2	3.152	0.887	0.985



# Efficient pneumatic solutions, our program: cylinders and drives, valves and valve systems, air supply management



Visit us: [Emerson.com/Aventics](https://www.emerson.com/Aventics)

Your local contact: [Emerson.com/contactus](https://www.emerson.com/contactus)



[Emerson.com](https://www.emerson.com)



[Facebook.com/EmersonAutomationSolutions](https://www.facebook.com/EmersonAutomationSolutions)



[LinkedIn.com/company/Emerson-Automation-Solutions](https://www.linkedin.com/company/Emerson-Automation-Solutions)



[Twitter.com/EMR\\_Automation](https://twitter.com/EMR_Automation)

An example configuration is depicted on the title page. The delivered product may thus vary from that in the illustration. Subject to change. This Document, as well as the data, specifications and other information set forth in it, are the exclusive property of AVENTICS GmbH. It may not be reproduced or given to third parties without its consent. Only use the AVENTICS products shown in industrial applications. Read the product documentation completely and carefully before using the product. Observe the applicable regulations and laws of the respective country. When integrating the product into applications, note the system manufacturer's specifications for safe use of the product. The data specified only serve to describe the product. No statements concerning a certain condition or suitability for a certain application can be derived from our information. The information given does not release the user from the obligation of own judgment and verification. It must be remembered that the products are subject to a natural process of wear and aging.

The Emerson logo is a trademark and service mark of Emerson Electric Co. Brand logotype are registered trademarks of one of the Emerson family of companies. All other marks are the property of their respective owners. © 2019 Emerson Electric Co. All rights reserved.



**CONSIDER IT SOLVED™**