

Valve plug connector with cable, series CON-VP



AVENTICS™

**AVENTICS Series CON-VP Valve
plug connectors with cable**


EMERSON™

Valve plug connector with cable, series CON-VP

The AVENTICS Series CON-VP-with cable offers valve plug connectors with cables of various length, used to connect various valve Series and sensors. The Series covers connector types of Form A, B, B Industry, C and C Industry complying with standards EN 175301-803 (Form A), ISO 6952 (Form B) and ISO 15217 (Form C)

- Valve plug connector with connected cable
- Form A EN 175301-803
- Form B ISO 6952 and B industry
- Form C ISO 15217 and C industry
- With/without protective circuit/LED



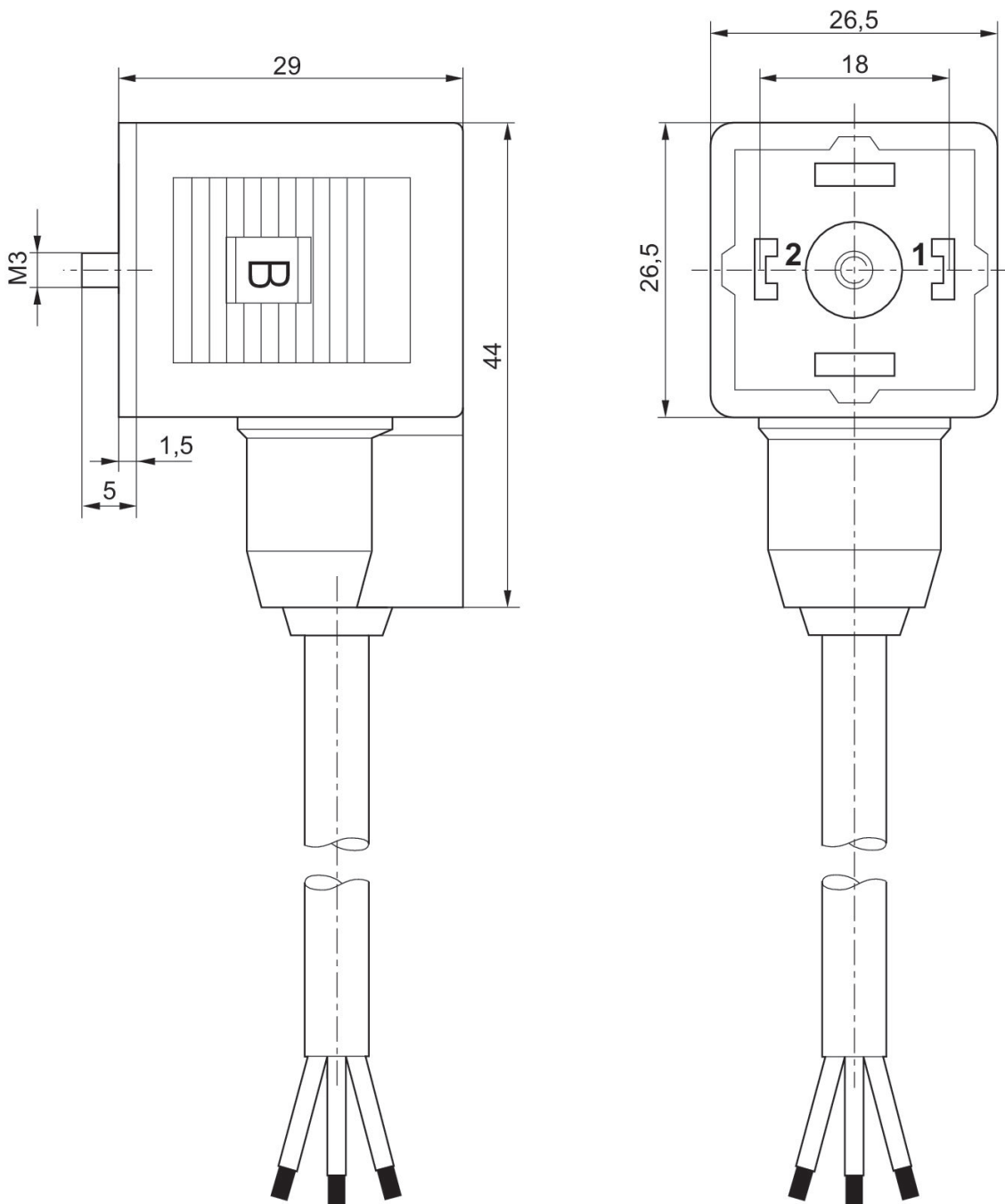
Valve plug connector, series CON-VP

form A



Operational voltage	Contact assignment	Cable-Ø [mm]	Cable length [m]	Part No.
230 V AC/DC	2+E	5.9	3	1834484160

Dimensions



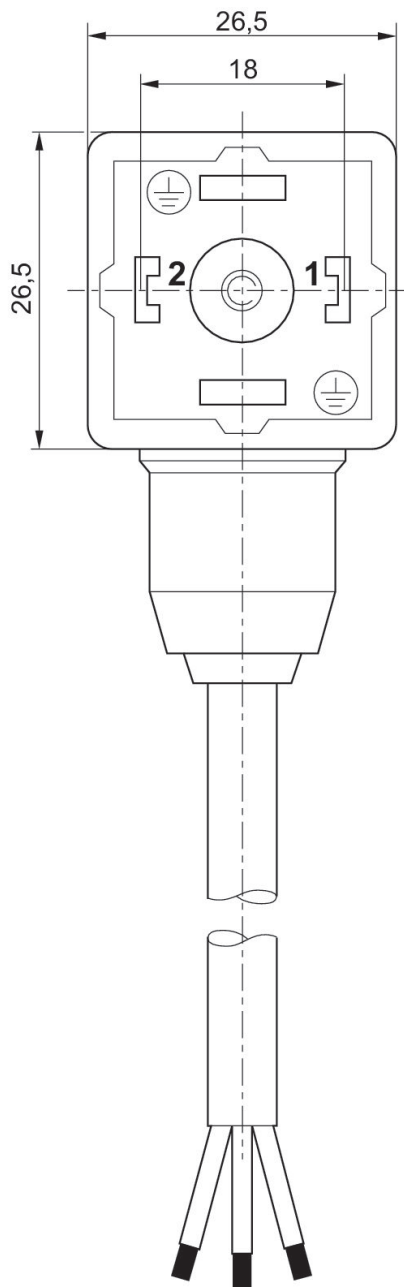
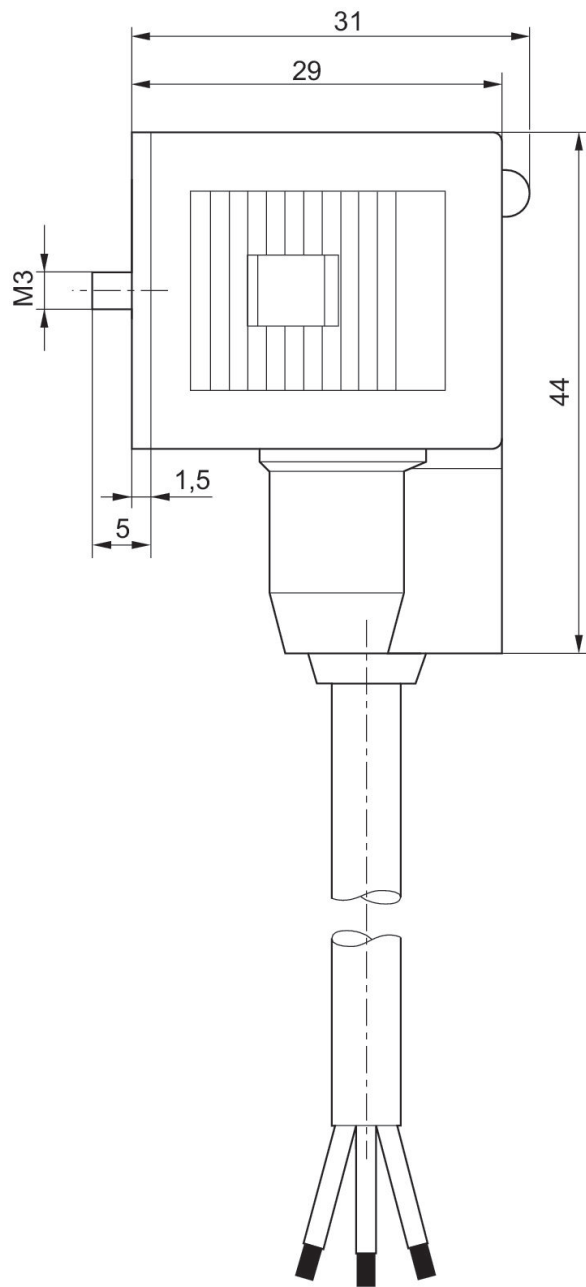
Valve plug connector, series CON-VP

form A



Operational voltage	Protective circuit	Contact assignment	LED status display	Cable-Ø [mm]	Cable length [m]	Part No.
24 V AC/DC	Z-diode	2+E	Yellow	5.9	3	1834484162
24 V AC/DC	Z-diode	2+E	Yellow	5.9	5	1834484163
230 V AC/DC	Varistor	2+E	Red	5.9	3	1834484164
230 V AC/DC	Varistor	2+E	Red	5.9	5	1834484165

Dimensions



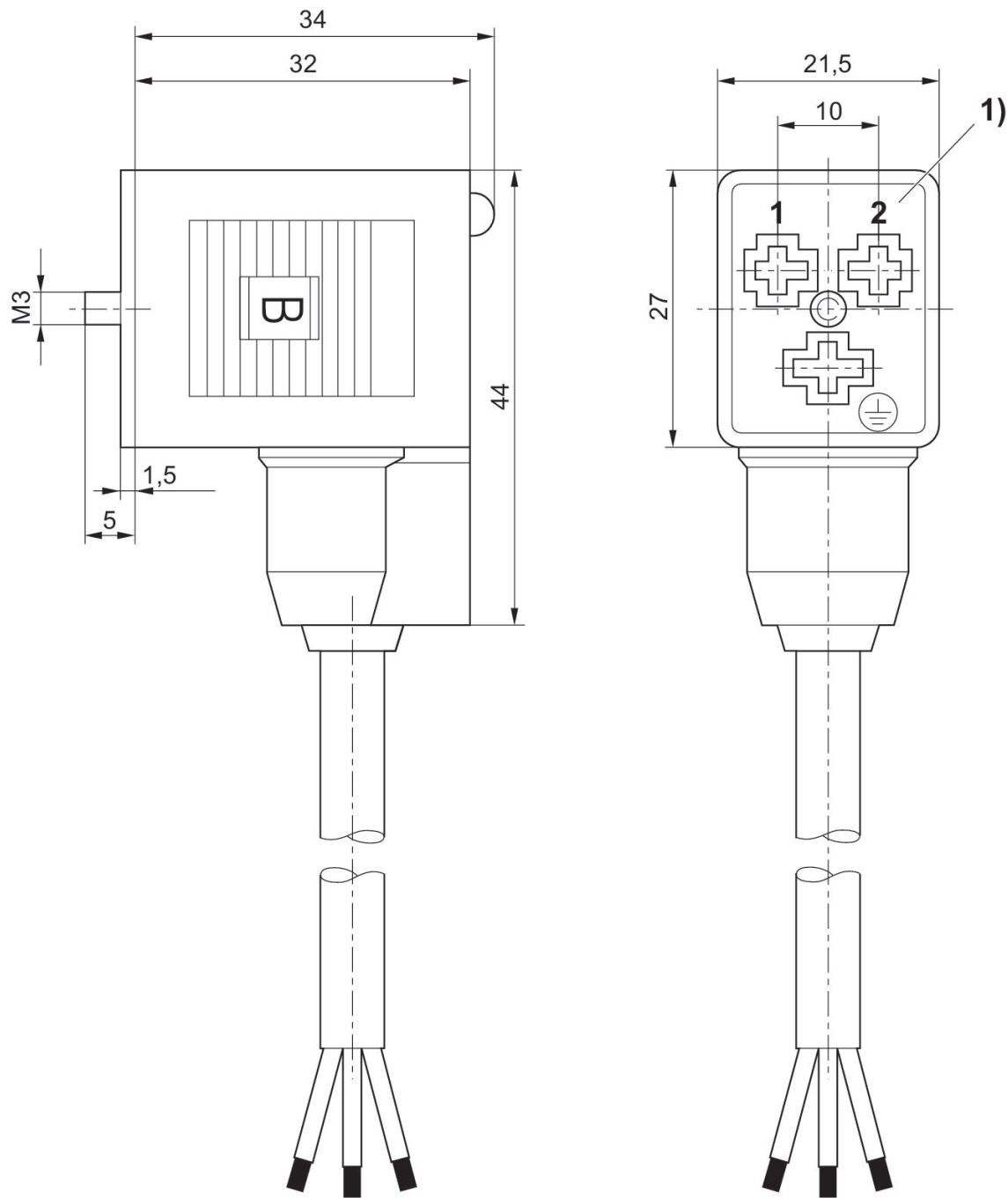
Valve plug connector, series CON-VP

Form B



Operational voltage	Protective circuit	Max. current [A]	Contact assignment	LED status display	Cable-Ø [mm]	Cable length [m]	Part No.
24 V AC/DC	Z-diode	10	2+E	Yellow	5.9	3	1834484152
24 V AC/DC	Z-diode	10	2+E	Yellow	5.9	5	1834484154

Dimensions



1) 0° female insert

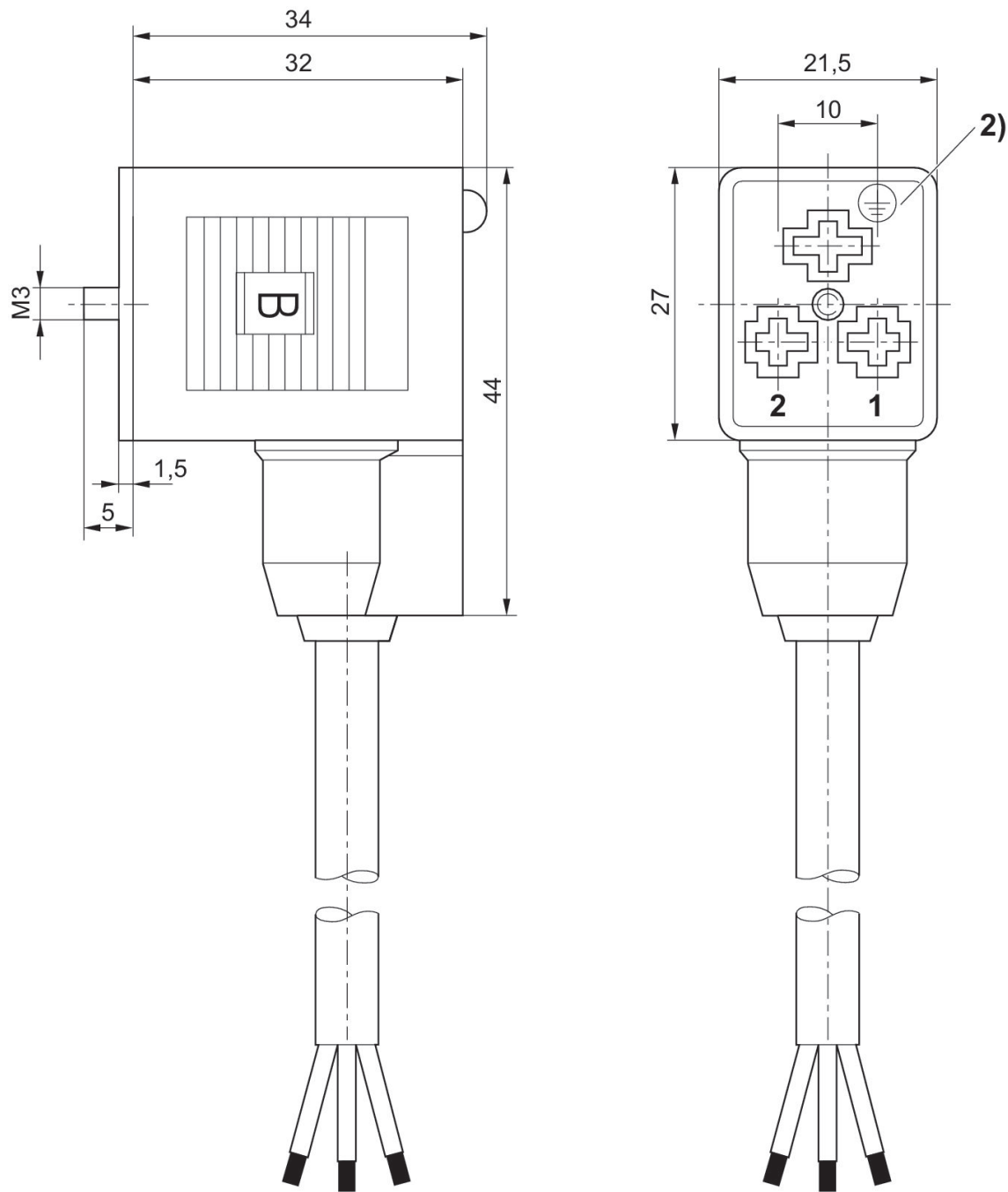
Valve plug connector, series CON-VP

Form B



Operational voltage	Protective circuit	Max. current [A]	Contact assignment	LED status display	Cable-Ø [mm]	Cable length [m]	Part No.
24 V AC/DC	Z-diode	10	2+E	Yellow	5.9	3	1834484153
24 V AC/DC	Z-diode	10	2+E	Yellow	5.9	5	1834484155

Dimensions



2) 180° female insert

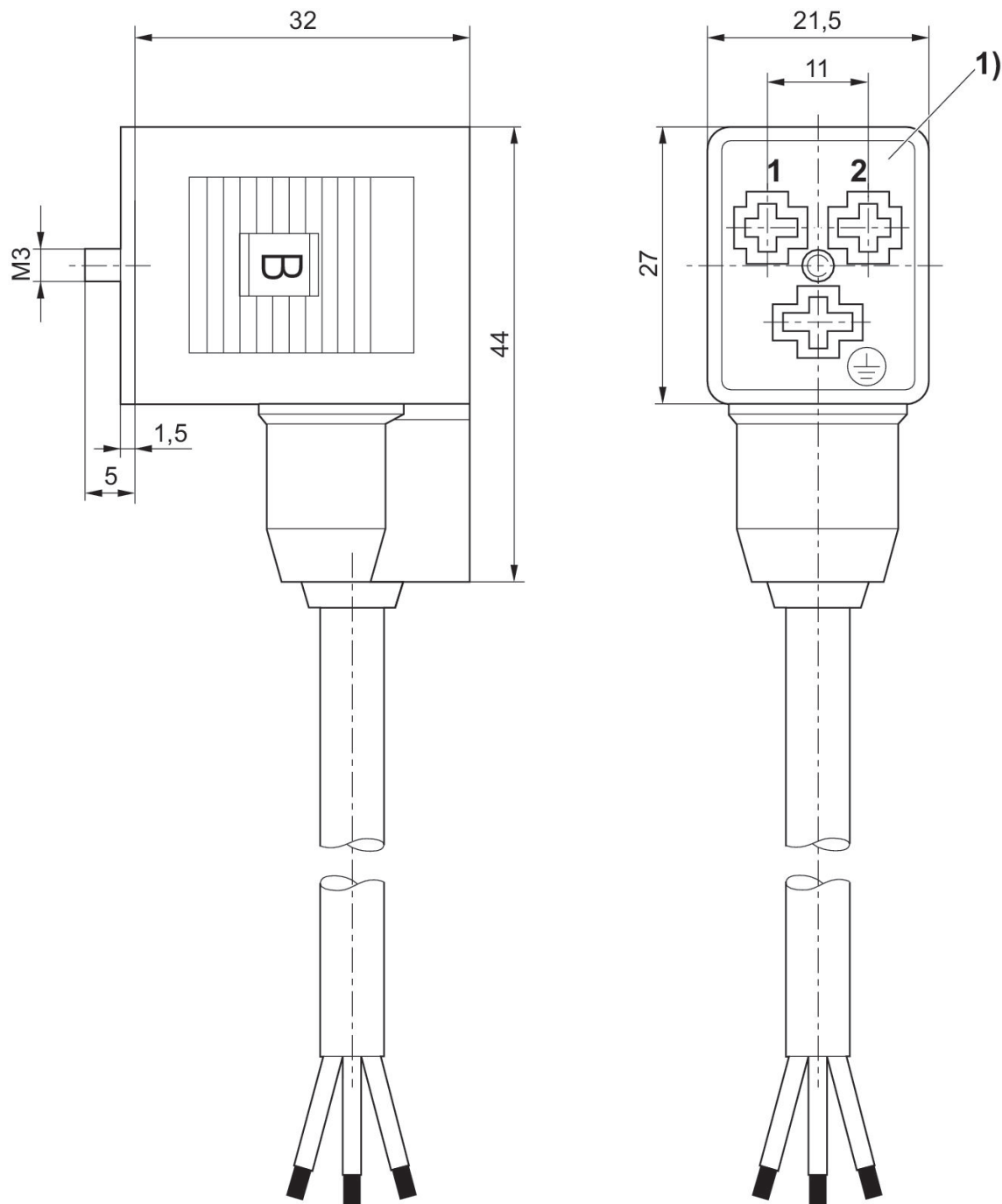
Valve plug connector, series CON-VP

Form B, industry



Max. current [A]	Contact assignment	Cable-Ø [mm]	Cable length [m]	Part No.
4	2+E	5.9	3	8946201912

Dimensions



1) 0° female insert

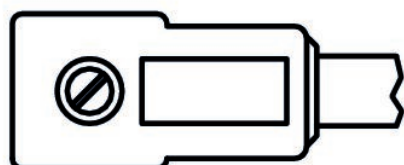
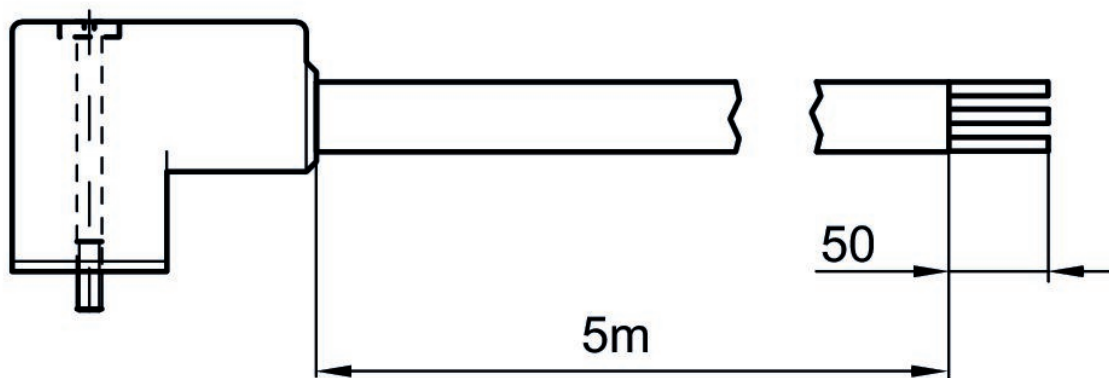
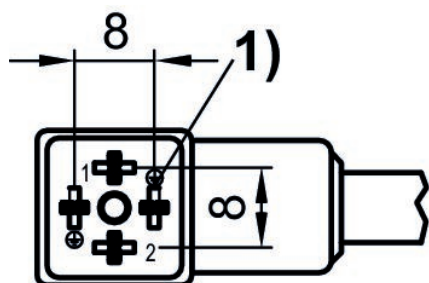
Valve plug connector, series CON-VP

form C



Operational voltage	Max. current [A]	Contact assignment	Cable length [m]	Part No.
230 V AC/DC	6	2+E	5	8946201612

Dimensions



1) Coding pin

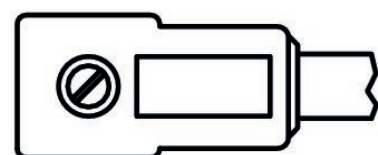
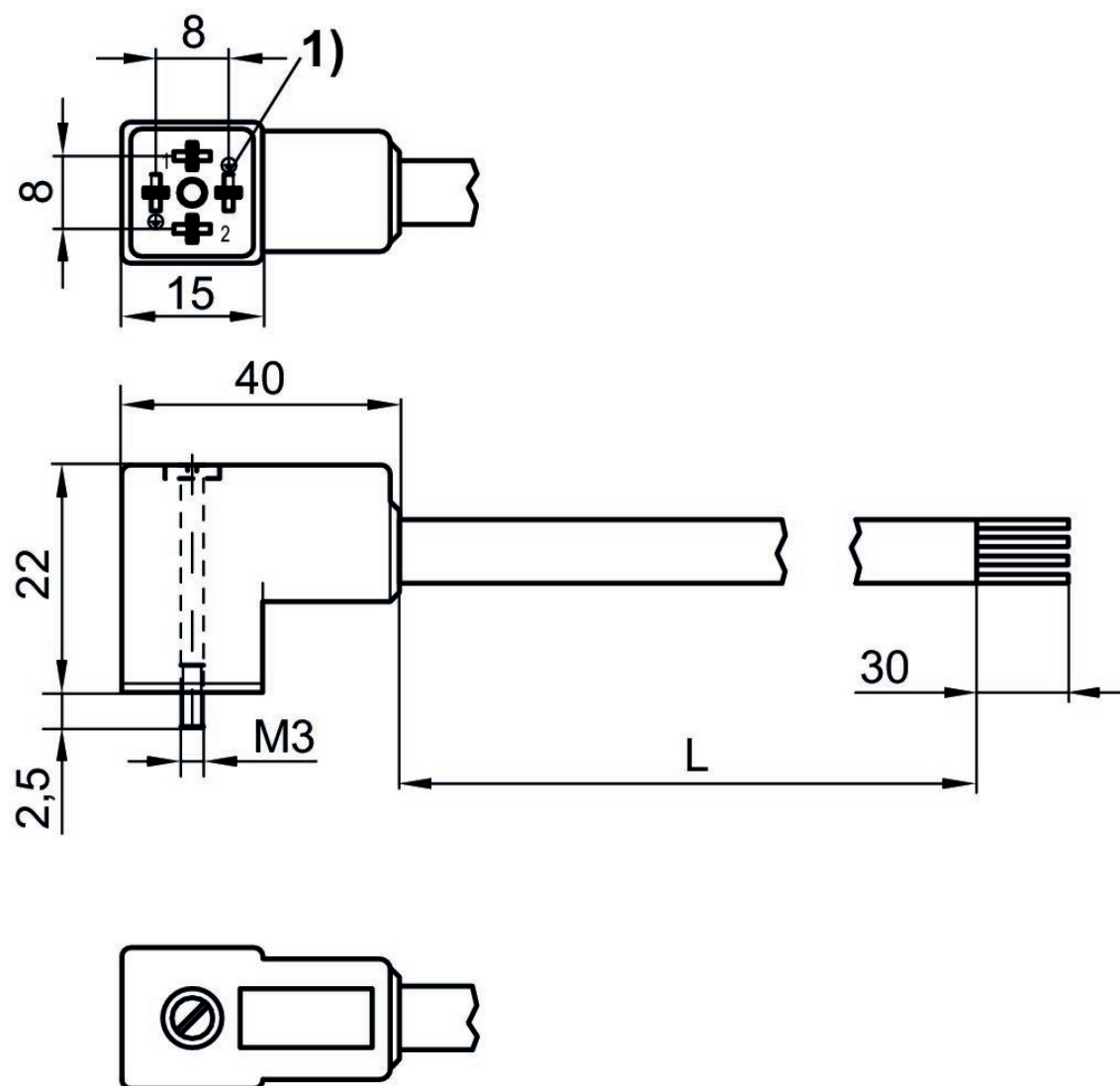
Valve plug connector, series CON-VP

form C



Operational voltage	Max. current [A]	Contact assignment	Cable length [m]	Part No.
24 V AC/DC	4	3+E	5	8946201602

Dimensions



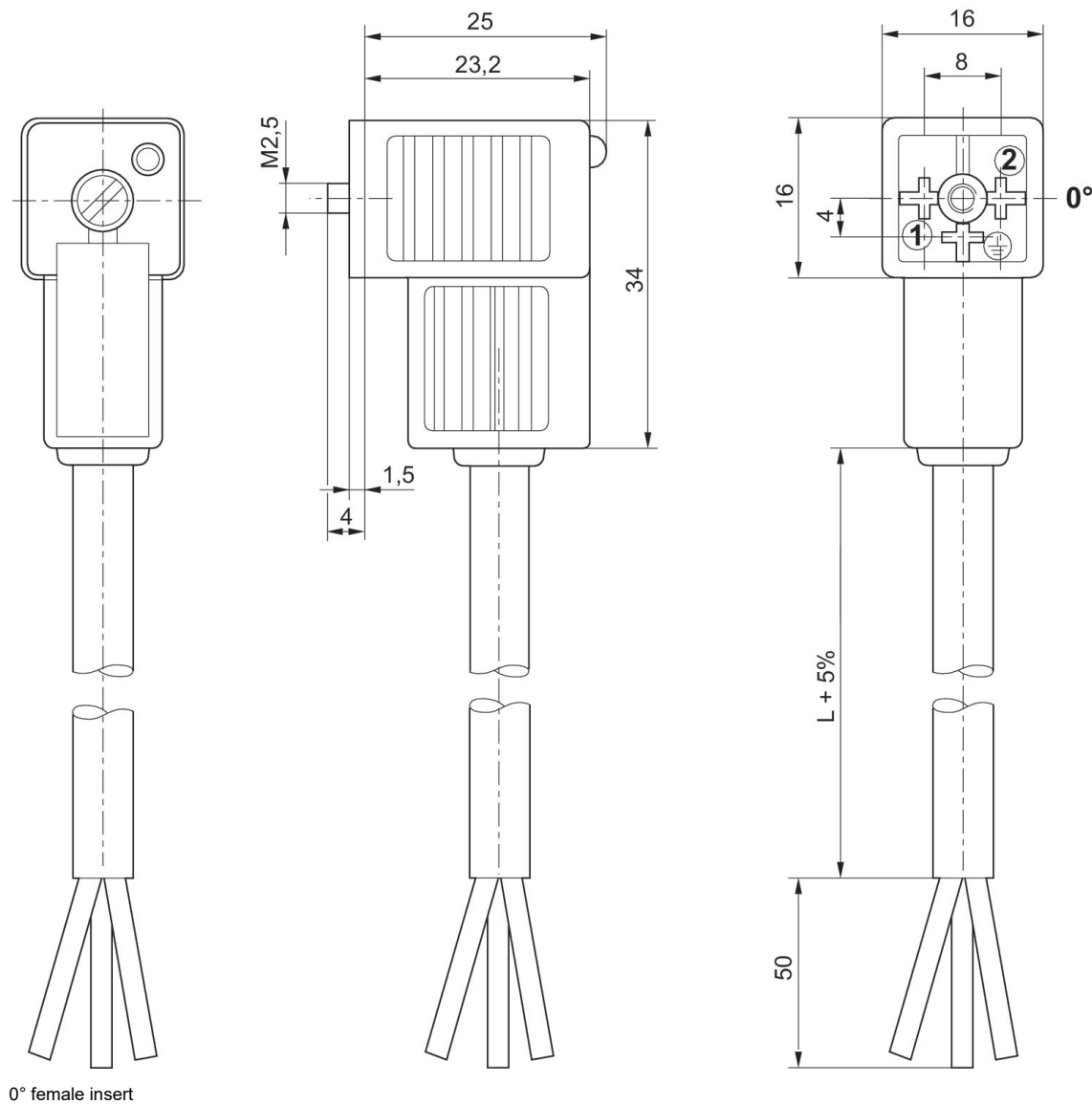
Valve plug connector, series CON-VP

form C



Operational voltage	Protective circuit	Max. current [A]	Contact assignment	LED status display	Cable-Ø [mm]	Cable length [m]	Part No.
230 V AC/DC		6	2+E		5.9	3	1834484212
230 V AC/DC		6	2+E		5.9	5	1834484214
24 V AC/DC	Z-diode	6	2+E	Yellow	5.9	3	1834484204
24 V AC/DC	Z-diode	6	2+E	Yellow	5.9	5	1834484206
230 V AC/DC	Varistor	6	2+E	Yellow	5.9	3	1834484208
230 V AC/DC	Varistor	6	2+E	Yellow	5.9	5	1834484210

Dimensions



0° female insert

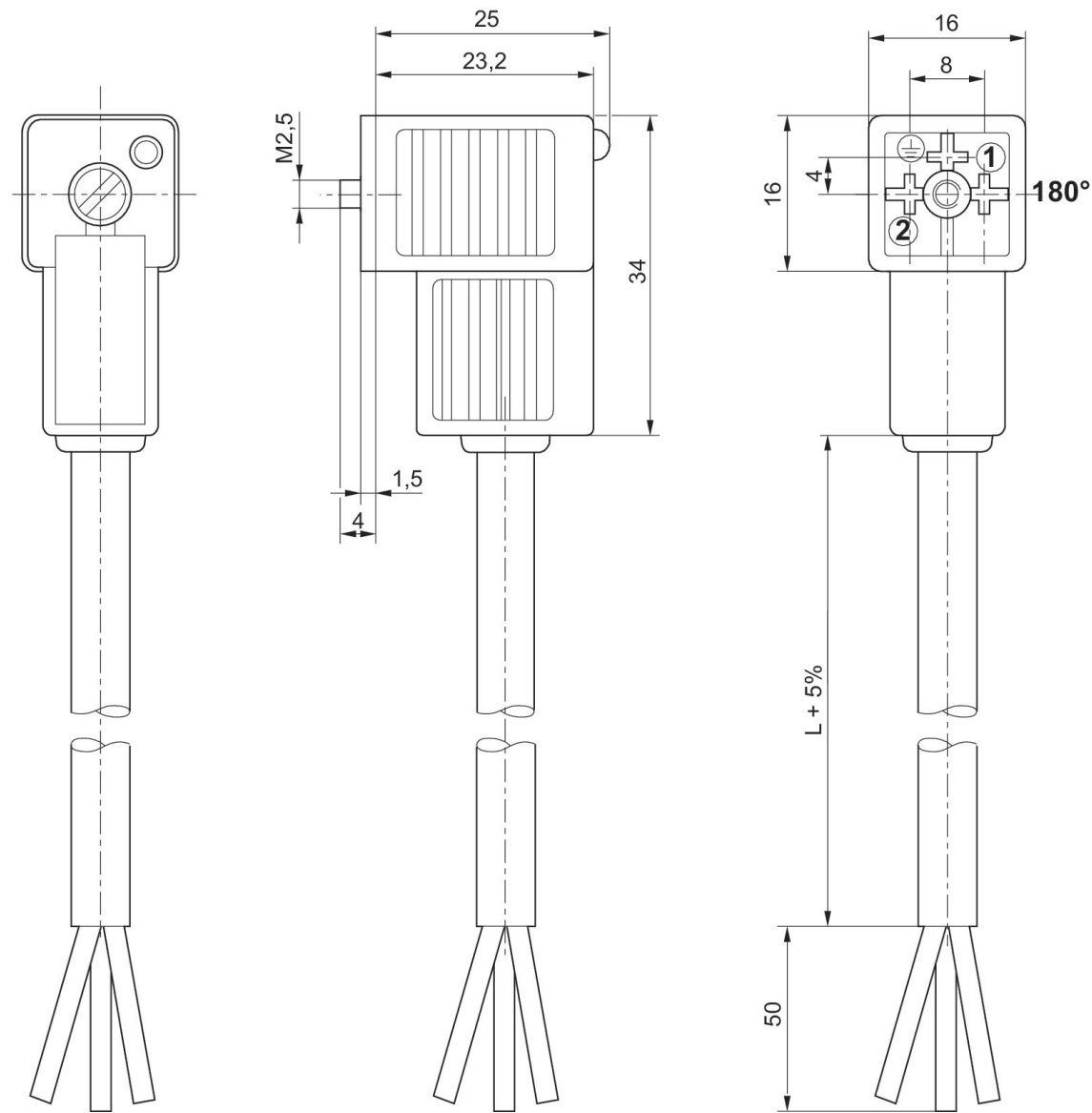
Valve plug connector, series CON-VP

form C



Operational voltage	Protective circuit	Max. current [A]	Contact assignment	LED status display	Cable-Ø [mm]	Cable length [m]	Part No.
230 V AC/DC		6	2+E		5.9	3	1834484213
230 V AC/DC		6	2+E		5.9	5	1834484215
24 V AC/DC	Z-diode	6	2+E	Yellow	5.9	3	1834484205
24 V AC/DC	Z-diode	6	2+E	Yellow	5.9	5	1834484207
230 V AC/DC	Varistor	6	2+E	Yellow	5.9	3	1834484209
230 V AC/DC	Varistor	6	2+E	Yellow	5.9	5	1834484211
24 V AC/DC	Z-diode	6	2+E	Yellow	5.9	10	1834484236

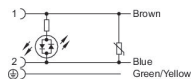
Dimensions



180° female insert

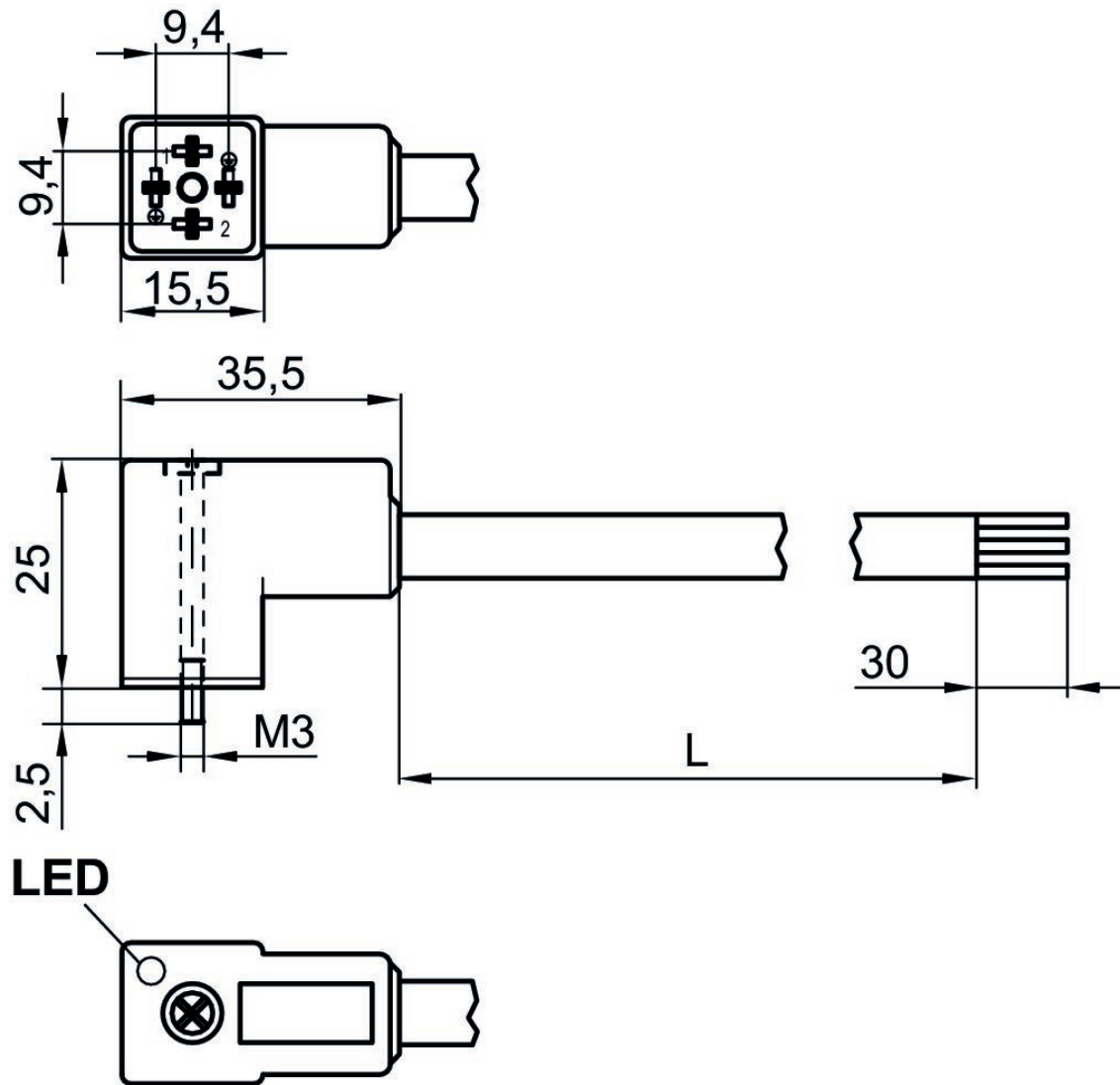
Valve plug connector, series CON-VP

form C, industry



Operational voltage	Protective circuit	Max. current [A]	Contact assignment	LED status display	Cable length [m]	Part No.
24 V AC/DC	Varistor	1.5	4-pin	Yellow	3	R412024833
24 V AC/DC	Varistor	1.5	4-pin	Yellow	5	R412024834
24 V AC/DC	Varistor	4	4-pin	Yellow	10	R412024835

Dimensions



L = length

Efficient pneumatic solutions, our program: cylinders and drives, valves and valve systems, air supply management



Visit us: [Emerson.com/Aventics](https://www.emerson.com/aventics)

Your local contact: [Emerson.com/contactus](https://www.emerson.com/contactus)



[Emerson.com](https://www.emerson.com)



[Facebook.com/EmersonAutomationSolutions](https://www.facebook.com/EmersonAutomationSolutions)



[LinkedIn.com/company/Emerson-Automation-Solutions](https://www.linkedin.com/company/Emerson-Automation-Solutions)



[Twitter.com/EMR_Automation](https://twitter.com/EMR_Automation)

An example configuration is depicted on the title page. The delivered product may thus vary from that in the illustration. Subject to change. This Document, as well as the data, specifications and other information set forth in it, are the exclusive property of AVENTICS GmbH. It may not be reproduced or given to third parties without its consent. Only use the AVENTICS products shown in industrial applications. Read the product documentation completely and carefully before using the product. Observe the applicable regulations and laws of the respective country. When integrating the product into applications, note the system manufacturer's specifications for safe use of the product. The data specified only serve to describe the product. No statements concerning a certain condition or suitability for a certain application can be derived from our information. The information given does not release the user from the obligation of own judgment and verification. It must be remembered that the products are subject to a natural process of wear and aging.

The Emerson logo is a trademark and service mark of Emerson Electric Co. Brand logotype are registered trademarks of one of the Emerson family of companies. All other marks are the property of their respective owners. © 2019 Emerson Electric Co. All rights reserved.



CONSIDER IT SOLVED™