

Series CON-MP



AVENTICS™

**AVENTICS Series CON-MP
Multipole plugs**


EMERSON™

AVENTICS Series CON-MP Multipole plugs

The AVENTICS Series CON-MP offers multipole plugs with D-SUB connection for self-assembly.

- Multipole plug connectors for self-assembly
- Valve system control, D-Sub plug, C/2 plug



Product overview

	Page
D-Sub 25-pin	
Multipole plug, series CON-MP.....	4
D-Sub socket, 25 pin	
Multipole plug, series CON-MP.....	6
D-Sub plug, 25-pin	
D-Sub 44-pin	
Multipole plug, series CON-MP.....	8
D-Sub socket, 44 pin	

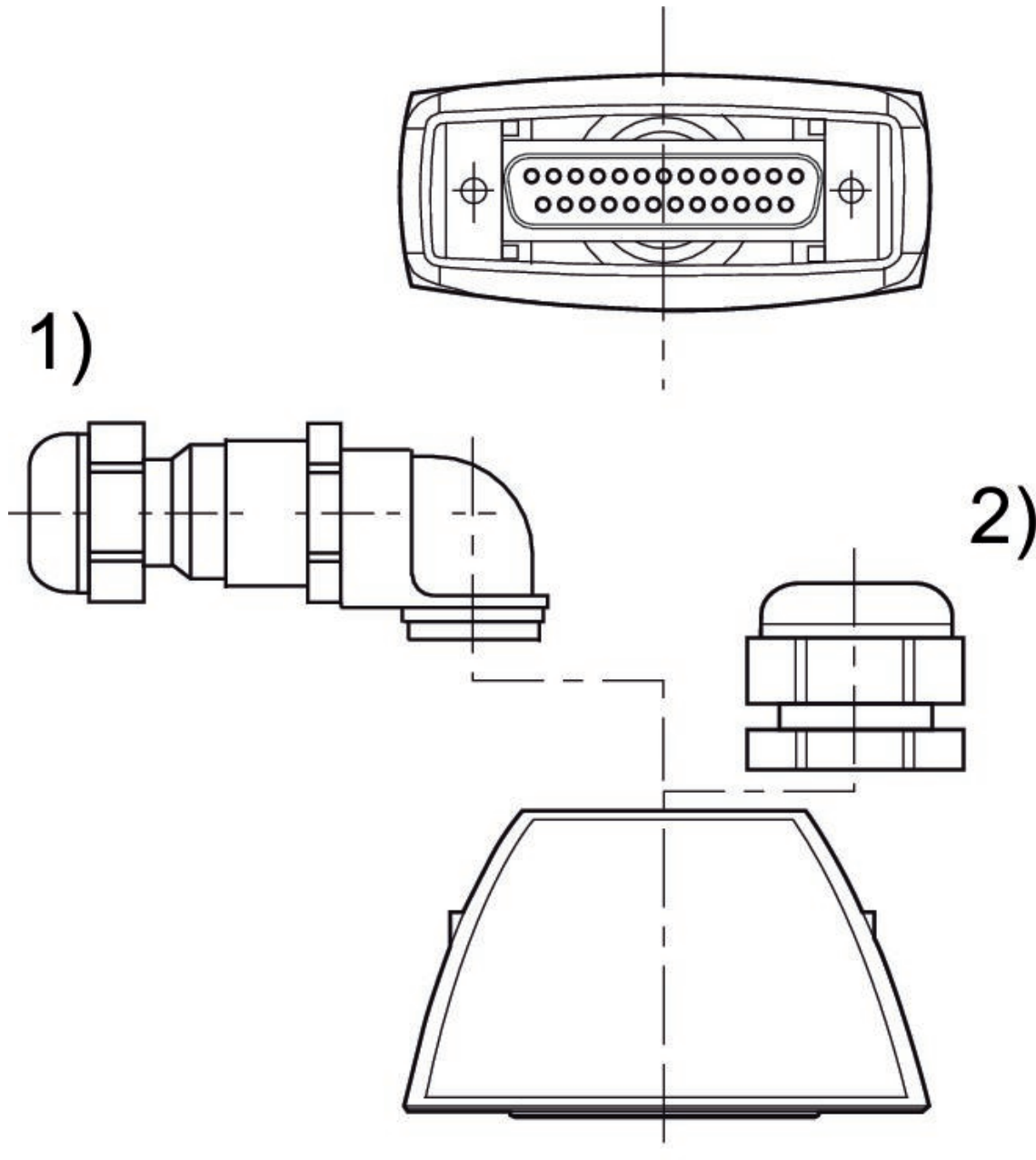
Multipole plug, series CON-MP

Min. ambient temperature: -5 °C
Max. ambient temperature: 50 °C



Operational voltage	Electrical connection 1, type	Electrical connection 1, thread size	Min. ambient temperature [°C]	Max. ambient temperature [°C]	Part No.
24 V DC	Socket	D-Sub	-5	50	R412011240

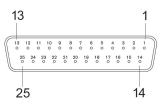
Dimensions



- 1) Elbow fitting
- 2) tube nut

R412011240

PIN assignment and cable colors



Socket

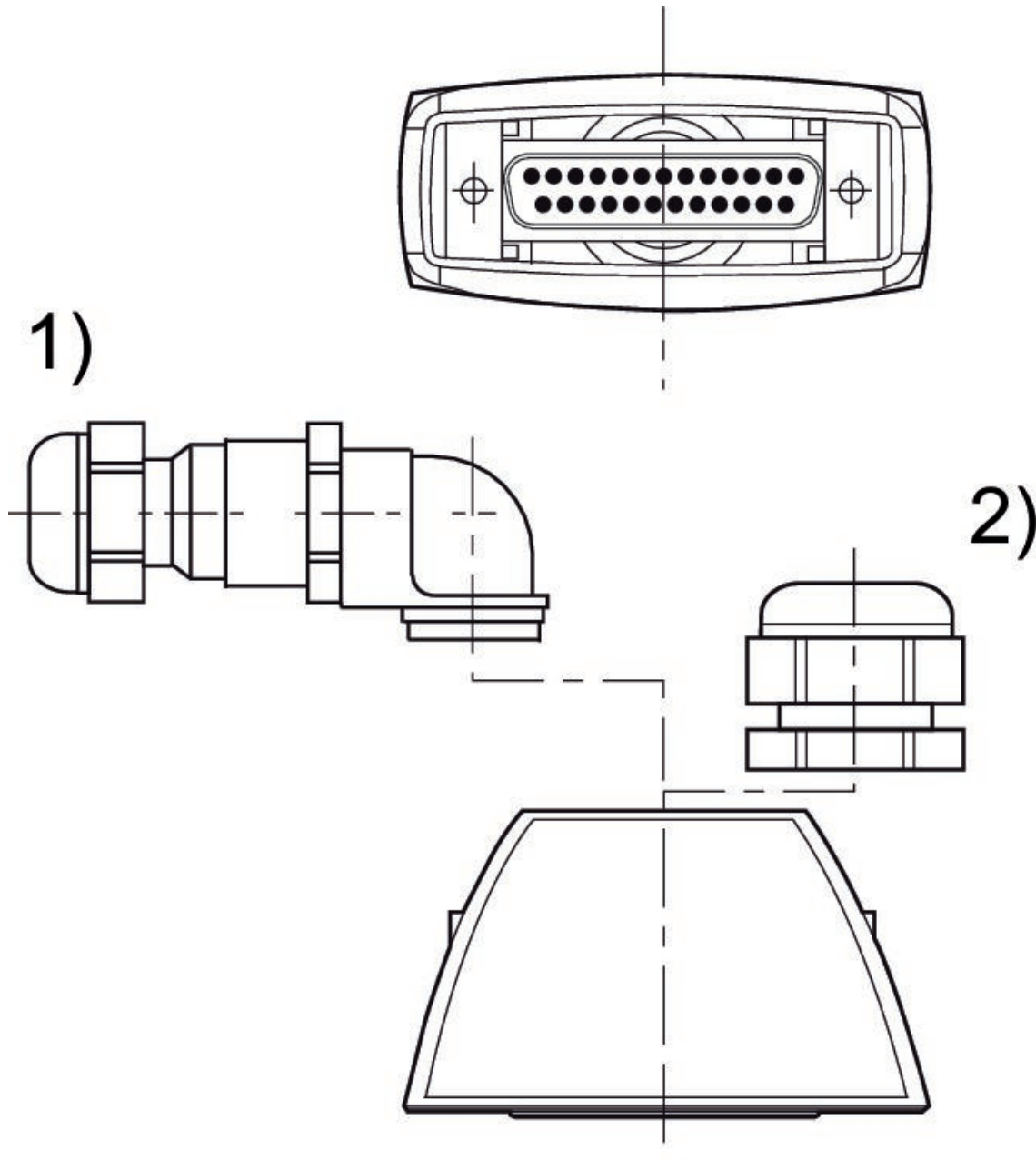
Multipole plug, series CON-MP

Min. ambient temperature: -5 °C
Max. ambient temperature: 50 °C



Operational voltage	Electrical connection 1, type	Electrical connection 1, thread size	Min. ambient temperature [°C]	Max. ambient temperature [°C]	Part No.
24 V DC	Plug	D-Sub	-5	50	R412011241

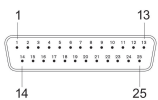
Dimensions



- 1) Socket
- 2) tube nut

R412011241

PIN assignment and cable colors



Plug

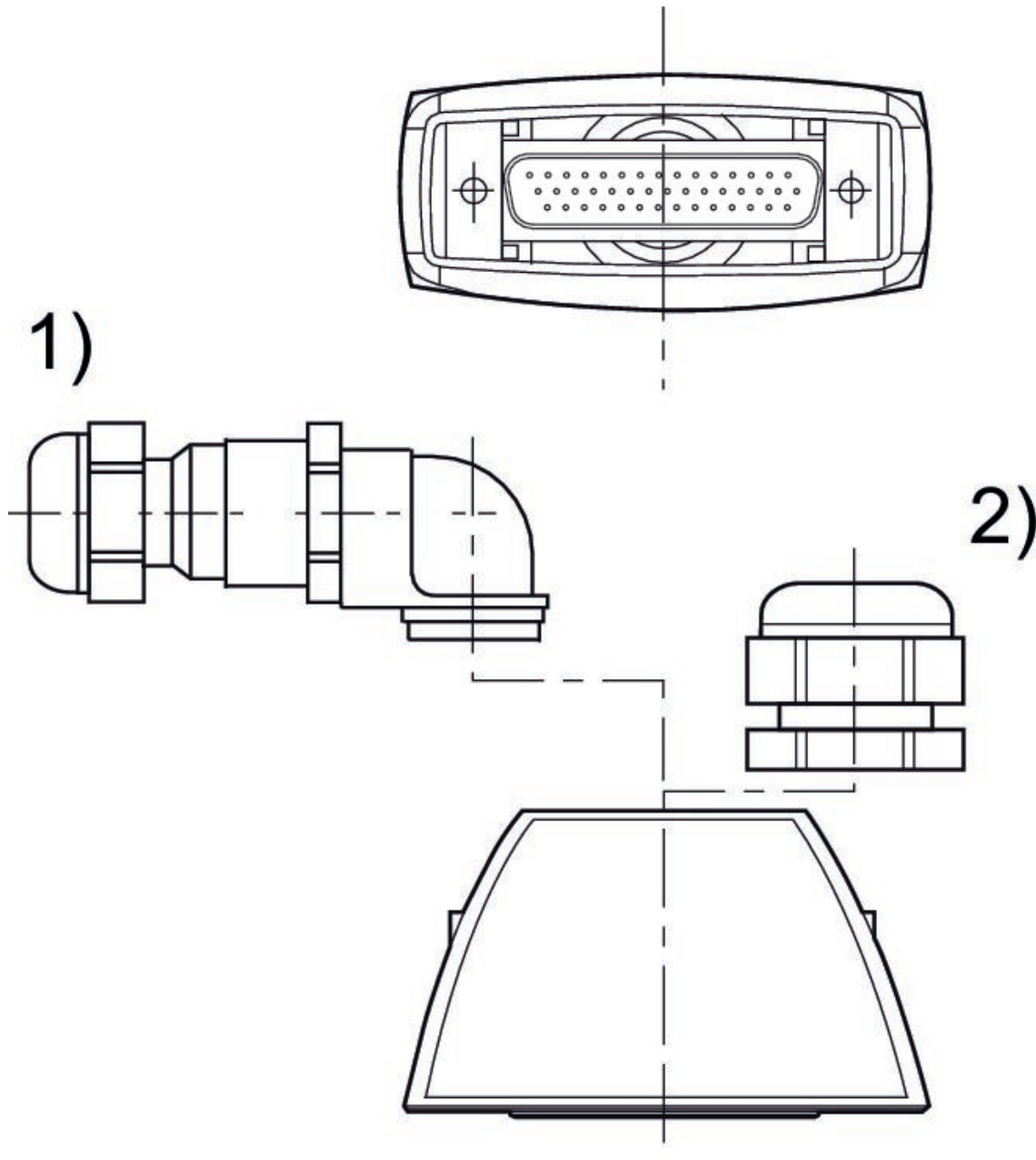
Multipole plug, series CON-MP

Electrical connection 1, type: Socket
 Electrical connection 1, thread size: D-Sub
 Electrical connection 1, number of poles: 44-pin
 Min. ambient temperature: -5 °C
 Max. ambient temperature: 50 °C



Operational voltage	Electrical connection 1, type	Electrical connection 1, thread size	Min. ambient temperature [°C]	Max. ambient temperature [°C]	Part No.
24 V DC	Socket	D-Sub	-5	50	R412011259

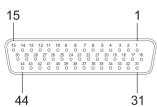
Dimensions



- 1) Elbow fitting
- 2) tube nut

R412011259

PIN assignment and cable colors







Socket

Efficient pneumatic solutions, our program:
cylinders and drives, valves and valve systems,
air supply management, proportional pressure
control valves



Visit us: www.Emerson.com/aventics
Your local contact: Emerson.com/contactus

-  Emerson.com
-  Facebook.com/EmersonAutomationSolutions
-  LinkedIn.com/company/Emerson-Automation-Solutions
-  Twitter.com/EMR_Automation



The Emerson logo is a trademark and service mark of Emerson Electric Co. AVENTICS is a registered trademark of one of the Emerson family of companies. All other trademarks are the property of their respective owners. © 2020 Emerson Electric Co. All rights reserved.



CONSIDER IT SOLVED™