

Series CON-CB



AVENTICS Series CON-CB Contact bridges

The AVENTICS Series CON-CB offers contact bridges which offers additional electrical connection types for Series CD01-PA, 579/589 as well as for other Form C coils. With the contact bridge it is possible to change Form C connection to SNAP D8 or M12.

- Contact bridges to adapt electrically operated valves with form C plug connector
- Especially suited for series CD01-PA, 579/589
- Single connection via M12x1
- Snap Ø8

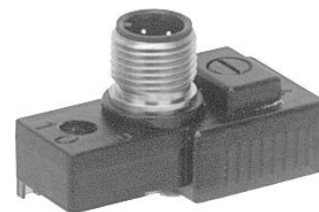


Product overview

	Page
M12	
Contact bridges, series CON-CB..... 1x solenoid	4
Contact bridges, series CON-CB..... 2x solenoid	5
ISO 15407-2	
Contact bridges, series CON-CB..... 1x solenoid	7
Contact bridges, series CON-CB..... 2x solenoid	8
Multipole	
Contact bridges, series CON-CB..... 1x solenoid	9
Contact bridges, series CON-CB..... 2x solenoid	11
Accessories CON-CB	
Round plug connector, Series CON-RD..... Snap-in plug Ø8 , 3-pin	12
Adapter, Series CON-VP, from form A to form C..... from form A to form C	13
Blanking plug, series CON-CB.....	14
Sealing cap for manual override.....	15

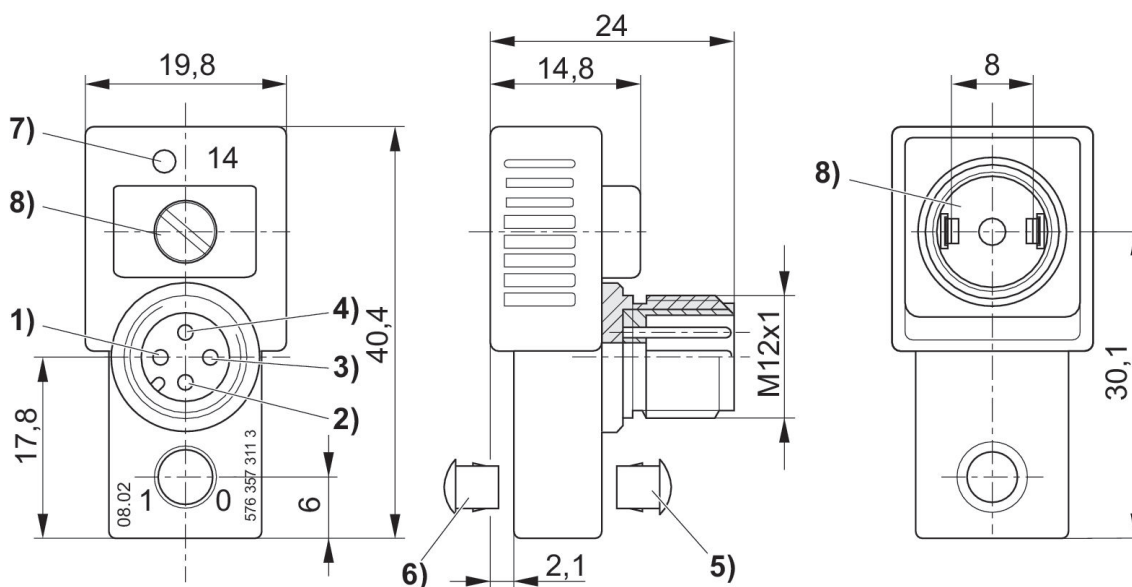
Contact bridges, series CON-CB

Min. ambient temperature: -15 °C
Max. ambient temperature: 50 °C



Max. current [A]	Contact assignment	LED status display	Part No.
4	4-pin	Yellow	5763573113

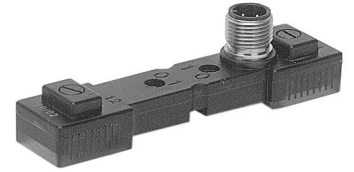
Dimensions



- 1) not assigned 2) not assigned 3) 0 V 4) magnet 14
- 5) Sealing cap for manual override not removable
- 6) Removable
- 7) LED valve
- 8) captive seal and screw

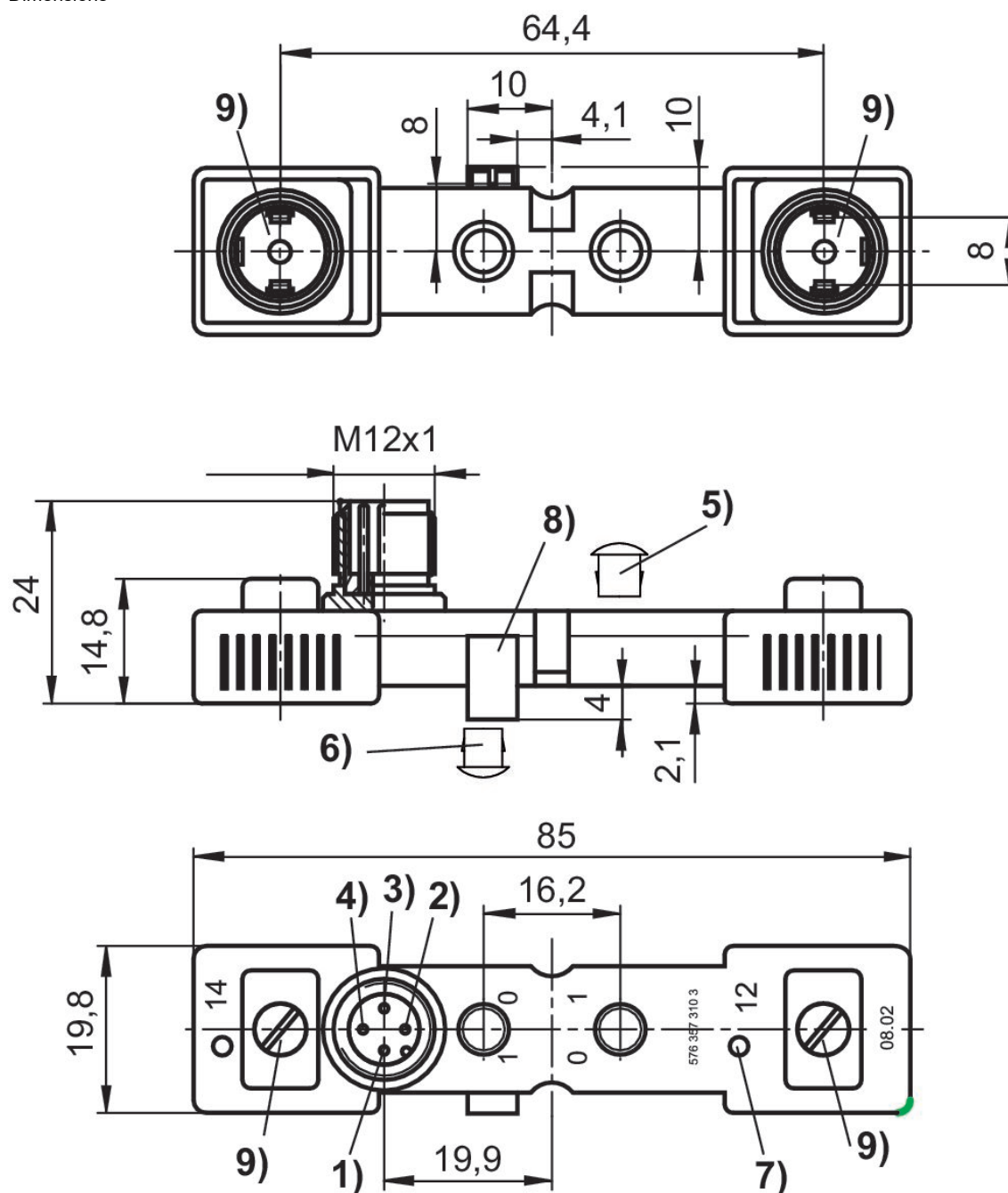
Contact bridges, series CON-CB

Min. ambient temperature: -15 °C
Max. ambient temperature: 50 °C



Max. current [A]	Contact assignment	LED status display	Part No.
4	4-pin	Yellow	5763573103

Dimensions



- 1) not assigned 2) solenoid 12 3) 0 V 4) solenoid 14
- 5) Sealing cap for manual override not removable
- 6) Removable
- 7) LED valve
- 8) positioning pin 9) captive seal and screw

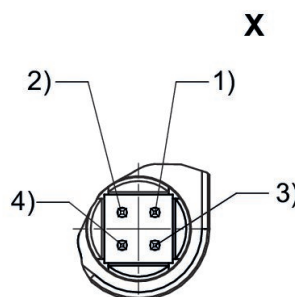
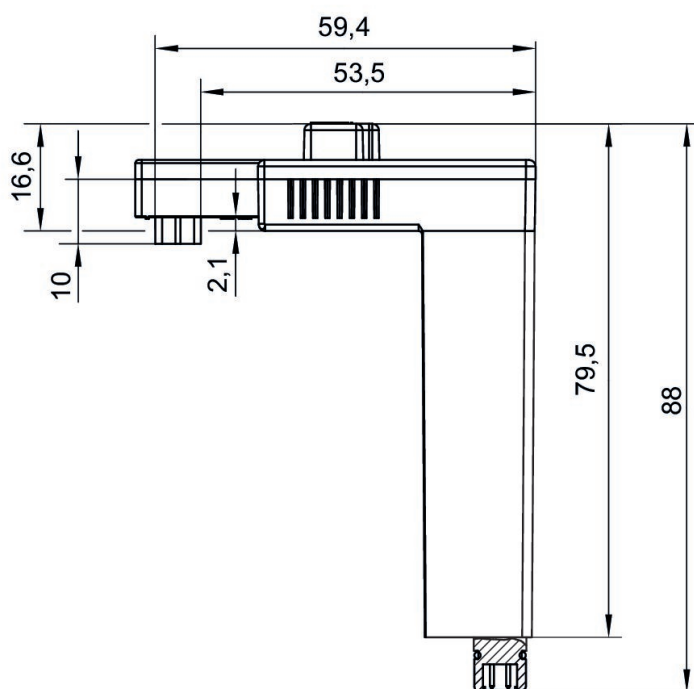
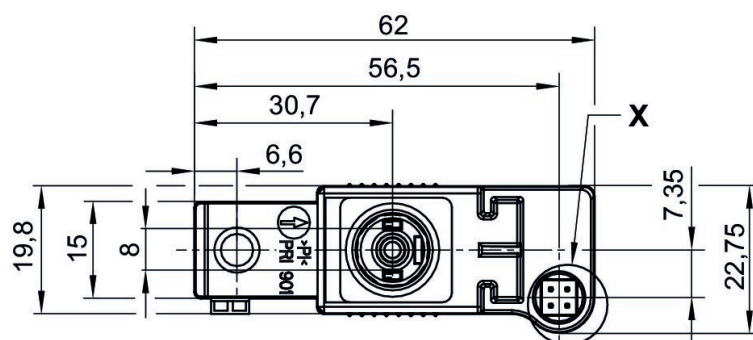
Contact bridges, series CON-CB

Min. ambient temperature: -15 °C
Max. ambient temperature: 50 °C



Protective circuit	Max. current [A]	Contact assignment	LED status display	Part No.
43 V bi-directional	0.5	4-pin	Yellow	R412005847

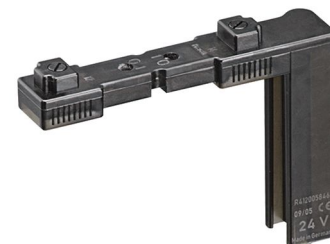
Dimensions



Pin assignment: Pin 1: solenoid 14 Pin 2: solenoid 12 Pin 3: ground Pin 4: 0 V

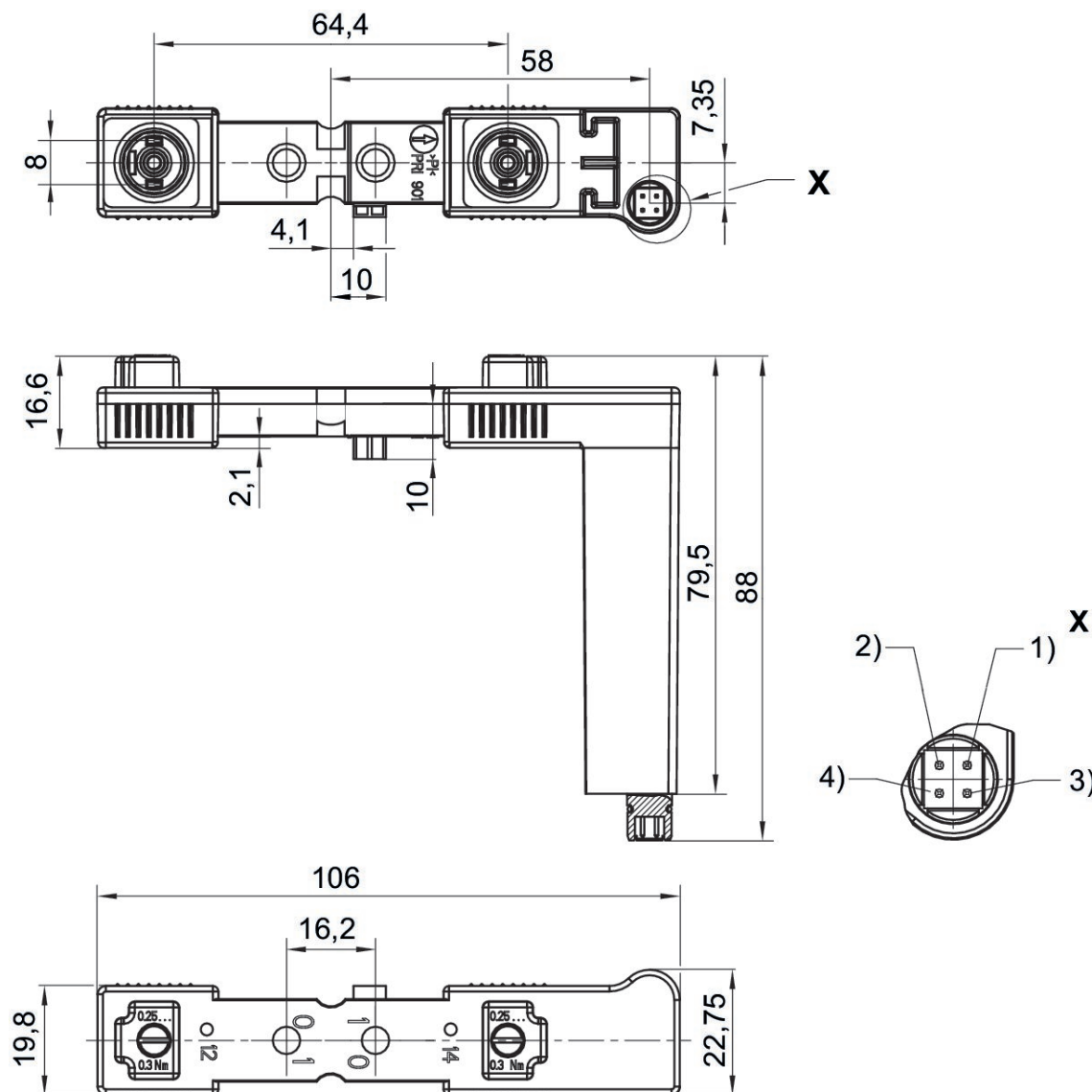
Contact bridges, series CON-CB

Min. ambient temperature: -15 °C
Max. ambient temperature: 50 °C



Max. current [A]	Contact assignment	LED status display	Part No.
0.5	4-pin	Yellow	R412005846

Dimensions



Pin assignment: Pin 1: solenoid 14 Pin 2: solenoid 12 Pin 3: ground Pin 4: 0 V

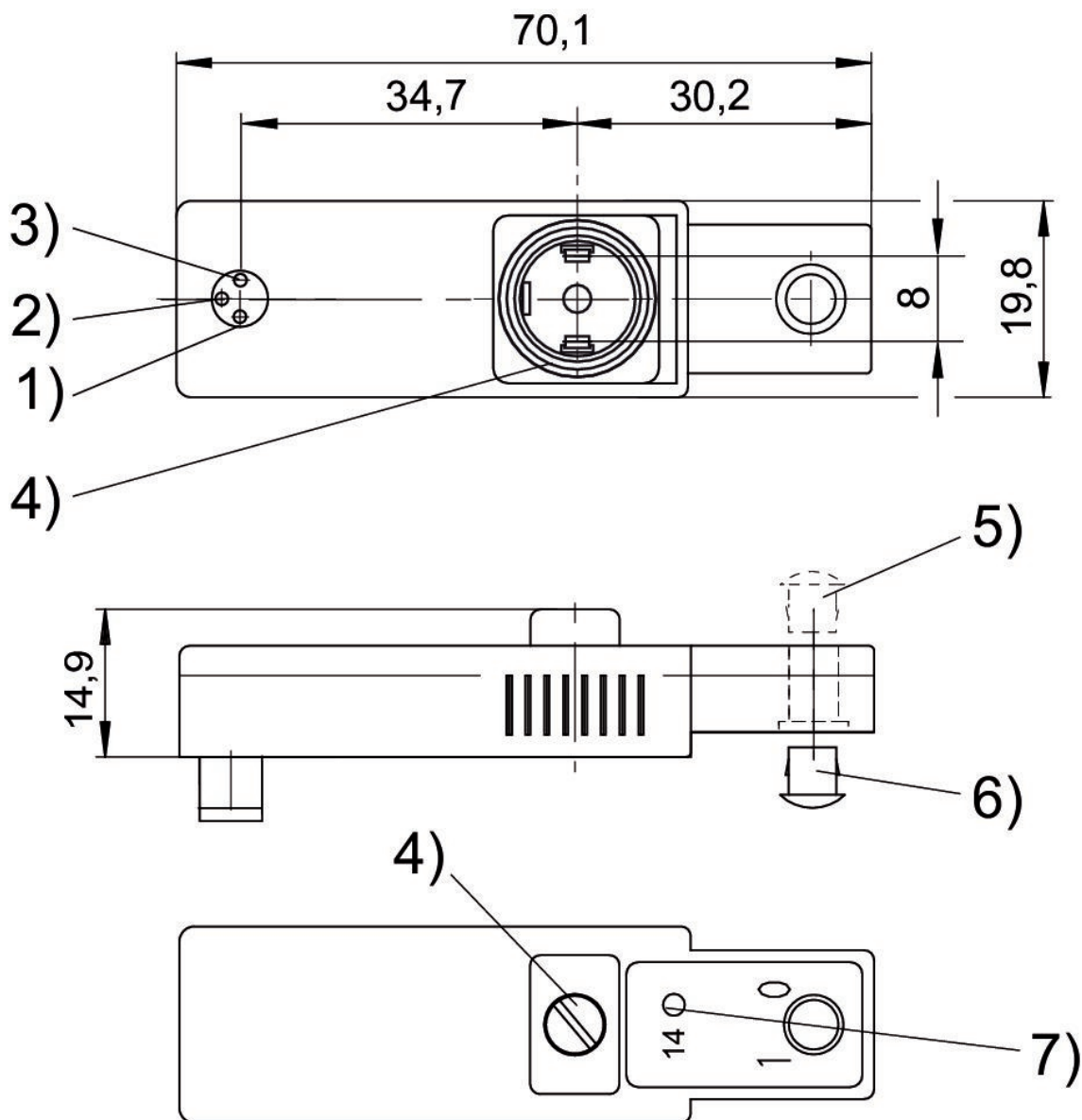
Contact bridges, series CON-CB

Min. ambient temperature: -25 °C
Max. ambient temperature: 75 °C



Max. current [A]	Contact assignment	LED status display	Part No.
0.5	3-pin	Yellow	5763503183

Dimensions



1) solenoid 14##2) not assigned##3) 0 V## 4) captive seal and screw##5) sealing cap for manual override not removable##6) removable##7) LED valve

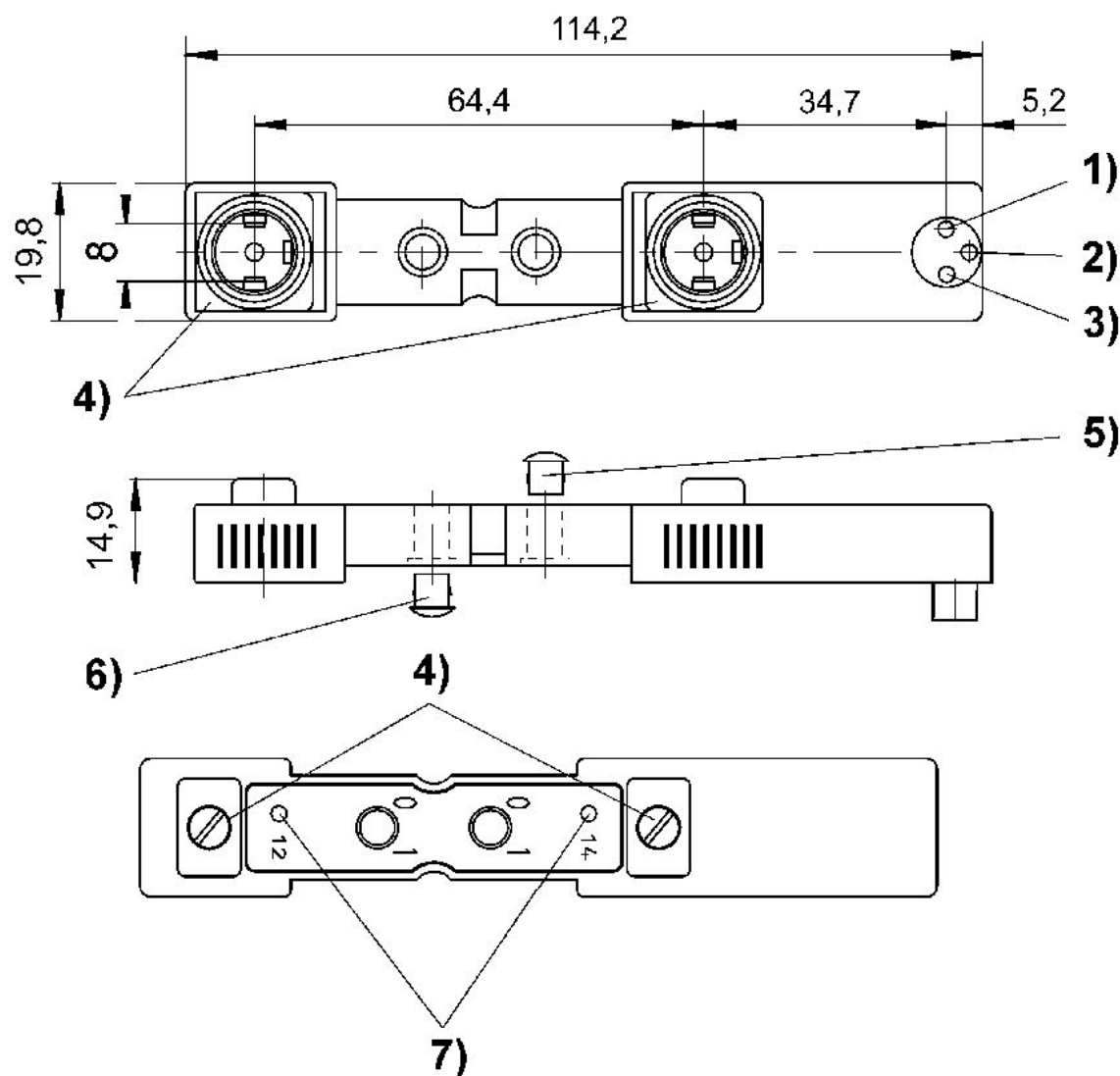
Contact bridges, series CON-CB

Min. ambient temperature: -25 °C
Max. ambient temperature: 75 °C



Max. current [A]	Contact assignment	LED status display	Part No.
0.5	3-pin	Yellow	5763503193

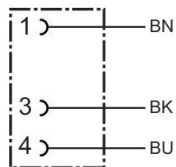
Dimensions



1) solenoid 14##2) solenoid 12##3) 0 V## 4) captive seal and screw##5) sealing cap for manual override not removable##6) removable##7) LED valve

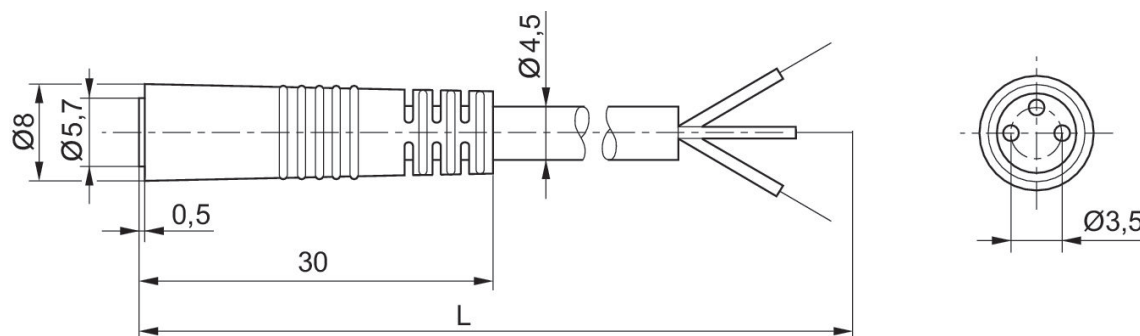
Round plug connector, Series CON-RD

Electrical connection 1, type: Socket
 Electrical connection 1, thread size: Snap Ø8
 Electrical connection 1, number of poles: 3-pin



Operational voltage	Current [A]	Shielding	Electrical connection 1, type	Electrical connection 1, thread size	Electrical connection 2, type	Cable length [m]	Cable-Ø [mm]	Wire cross-section [mm²]	Part No.
48 V AC/DC	3	unshielded	Socket	Snap Ø8	open cable ends	2.5	4.5	0.25	8946016112

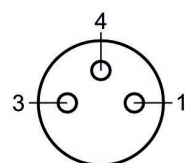
Dimensions



L = length

8946016112

Pin assignment, socket



(1) BN=brown (2) BK=black (3) BU=blue

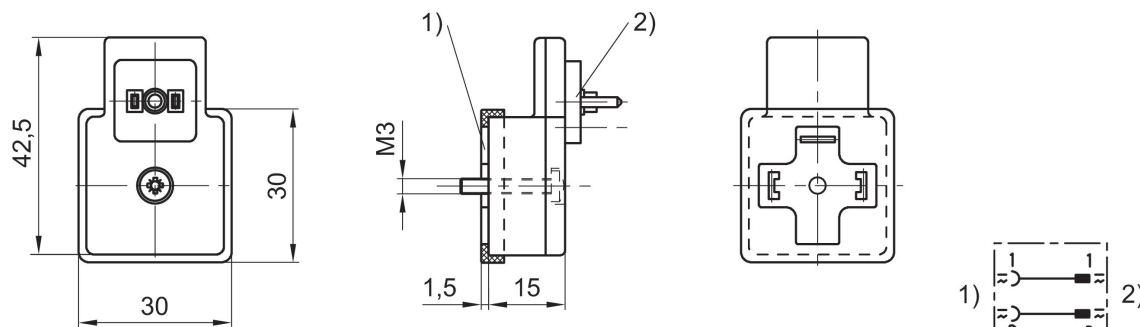
Adapter, Series CON-VP, from form A to form C

Min. ambient temperature: -25 °C
Max. ambient temperature: 50 °C



Type	Max. current [A]	Part No.
from form A to form C	0.5	8946053622

Dimensions



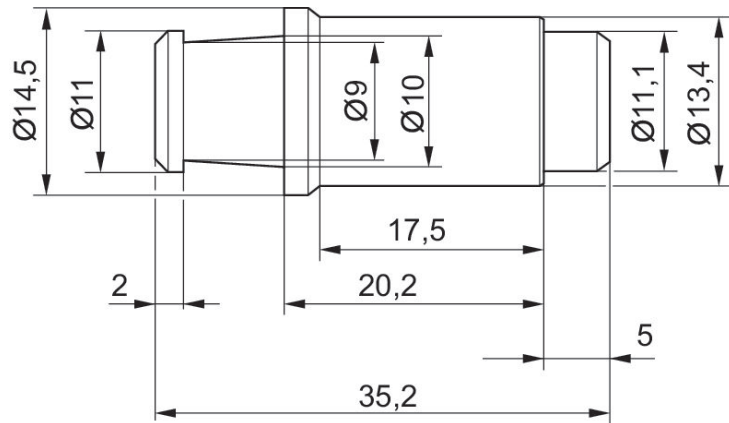
1) contact as per DIN EN 175301-803, form A
2) contact as per DIN EN 175301-803, form C

Blanking plug, series CON-CB



Type	Weight [kg]	Material	Part No.
for series CD01-PL	0.006	Polyoxymethylene	5763500414

Dimensions

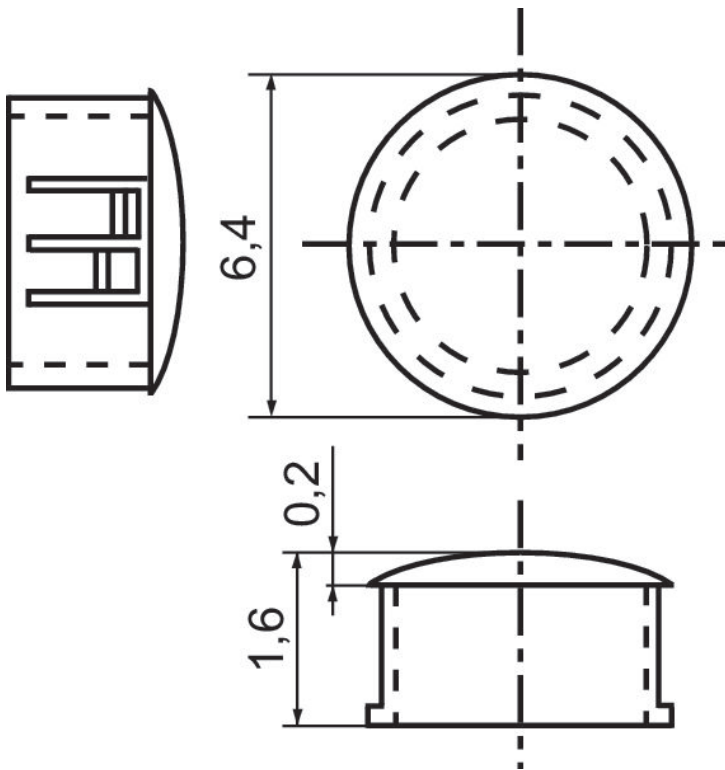


Sealing cap for manual override



Delivery unit [piece]	Weight [kg]	Material	Part No.
10	0.003	Polyamide	8980122904





Dimensions



Efficient pneumatic solutions, our program:
cylinders and drives, valves and valve systems,
air supply management, proportional pressure
control valves



Visit us: www.Emerson.com/aventics
Your local contact: Emerson.com/contactus

-  Emerson.com
-  Facebook.com/EmersonAutomationSolutions
-  LinkedIn.com/company/Emerson-Automation-Solutions
-  Twitter.com/EMR_Automation



The Emerson logo is a trademark and service mark of Emerson Electric Co. AVENTICS is a registered trademark of one of the Emerson family of companies. All other trademarks are the property of their respective owners. © 2020 Emerson Electric Co. All rights reserved.



CONSIDER IT SOLVED[®]