

Series NU2



AVENTICS™

**AVENTICS Series NU2 Fittings
with tube nuts**


EMERSON™

AVENTICS Series NU2 Fittings with tube nuts

AVENTICS Series NU2, are a complete range of plastic and Brass fittings with tube nuts, Versatile and safe NU2 fittings with nuts benefit of a large selection of connection type.



Product overview

	Page
Fittings with tube nuts	
Series NU2.....	4
Straight fitting	
Series NU2.....	6
Swivel banjo connection 1-fold	
Series NU2.....	8
Straight female stud fitting	
Series NU2.....	9
T-connector	
Series NU2.....	10
X-connector	
Series NU2.....	11
Straight fitting	
Series NU2.....	13
bulkhead connector	
Series NU2.....	14
Bulkhead connector	
Series NU2.....	16
Elbow fitting	
Series NU2.....	17
Elbow fitting	
Series NU2.....	18
Swivel banjo connection 1-fold	
Series NU2.....	20
1x banjo union	
Series NU2.....	21
2x banjo union	
Series NU2.....	22
T-union	
Series NU2.....	23
T-union	
Series NU2.....	24
T-Banjo connection	
Series NU2.....	26
T-connector	
Series NU2.....	28
X-connector	
Accessories overview	
Series NU2.....	29
1x banjo bolt	
Series NU2.....	30
tube nut	

Series NU2

fine thread: External thread

Compressed air connection type: External thread

Compressed air connection type 2: plug-in with tube nut

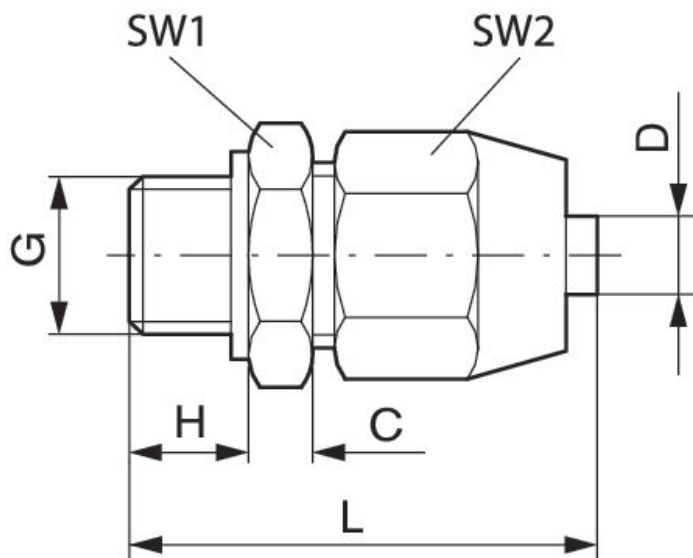
Ambient temperature min./max.: -10 °C ... 60 °C

Working pressure min./max.: -0.95 bar ... 10 bar



G	Ø D	Delivery unit [piece]	Type	Material	Part No.
G 1/8	Ø 4	10		Aluminum	1823391045
G 1/8	Ø 6	10		Aluminum	1823391046
G 1/4	Ø 4	10		Aluminum	1823391053
G 1/4	Ø 6	10		Aluminum	1823391054
G 1/4	Ø 8	5		Aluminum	1823391055
G 1/4	Ø 10	5		Aluminum	1823391290
G 3/8	Ø 6	5		Aluminum	1823391059
G 3/8	Ø 8	5		Aluminum	1823391063
G 3/8	Ø 10	5		Aluminum	1823391291
G 3/8	Ø 13	5		Aluminum	1823391249
G 1/2	Ø 6	5		Aluminum	1823391250
G 1/2	Ø 8	5		Aluminum	1823391251
G 1/2	Ø 10	5		Aluminum	1823391292
G 1/2	Ø 13	5		Aluminum	1823391252
G 3/4	Ø 18	1	without seal- ing ring	Aluminum	1823391805
G 1	Ø 18	1	without seal- ing ring	Aluminum	1823391806

Dimensions



Part No.	Port D	Port G	C	H	L	SW1	SW2
1823391045	Ø 4	G 1/8	5	6.5	30.5	17	17
1823391046	Ø 6	G 1/8	6	6.5	32.5	17	19
1823391053	Ø 4	G 1/4	5	9	33	17	17
1823391054	Ø 6	G 1/4	6	9	35	17	19
1823391055	Ø 8	G 1/4	6	9	38	22	22
1823391290	Ø 10	G 1/4	6	9	38.5	22	24
1823391059	Ø 6	G 3/8	5	9	35	19	19
1823391063	Ø 8	G 3/8	6	9	38	22	22
1823391291	Ø 10	G 3/8	6	9	38.5	22	24
1823391249	Ø 13	G 3/8	7	9	41	27	30
1823391250	Ø 6	G 1/2	6	11	37.5	24	19
1823391251	Ø 8	G 1/2	6	11	40	24	22
1823391292	Ø 10	G 1/2	6	11	40.5	24	24
1823391252	Ø 13	G 1/2	7	11	43	27	30
1823391805	Ø 18	G 3/4	8	14	55	36	41
1823391806	Ø 18	G 1	10	16	59	41	41

Connection D = inside diameter of the tubing to be used

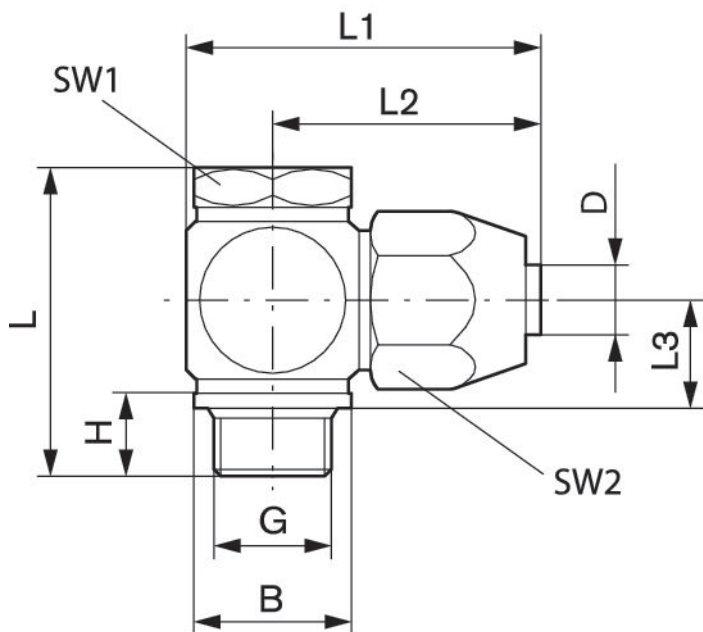
Series NU2

Compressed air connection type: External thread
 Compressed air connection type 2: plug-in with tube nut
 Ambient temperature min./max.: -10 °C ... 60 °C
 Working pressure min./max.: -0.95 bar ... 10 bar



G	Ø D	Delivery unit [piece]	Material	Part No.
G 1/8	Ø 4	2	Aluminum	1823391293
G 1/4	Ø 6	2	Aluminum	1823391294
G 1/4	Ø 8	2	Aluminum	1823391295
G 1/4	Ø 9	2	Aluminum	R412010658
G 3/8	Ø 8	2	Aluminum	1823391296
G 3/8	Ø 13	2	Aluminum	R412007839
G 1/2	Ø 13	2	Aluminum	R412007838
G 3/4	Ø 18	10	Aluminum	1823391807
G 1	Ø 18	10	Aluminum	1823391808

Dimensions



for fabric-reinforced plastic tubing

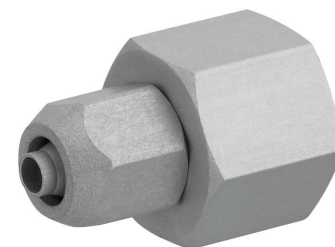
Part No.	Port D	Port G	B	H	L	L1	L2	L3	SW1
1823391293	Ø 4	G 1/8	14	10	32.5	34	26.5	13.7	14
1823391294	Ø 6	G 1/4	18	12.5	39	39.5	30	14.5	17
1823391295	Ø 8	G 1/4	18	12.5	42	42	32.5	16	17
1823391296	Ø 8	G 3/8	21	12.5	43	47	35	15.5	22
R412010658	Ø 9	G 1/4	18.9	7.9	40	42	32.5	15.6	17
R412007838	Ø 13	G 1/2	22.9	14	49.5	55	40	18.5	27
R412007839	Ø 13	G 3/8	22.9	12.5	47	49	37	18.5	22
1823391807	Ø 18	G 3/4	33	18.5	66	69	51	25	32
1823391808	Ø 18	G 1	40	20.5	70	77	55	25	41

Part No.	SW2
1823391293	17
1823391294	19
1823391295	22
1823391296	22
R412010658	24
R412007838	30
R412007839	30
1823391807	41
1823391808	41

Connection D = inside diameter of the tubing to be used

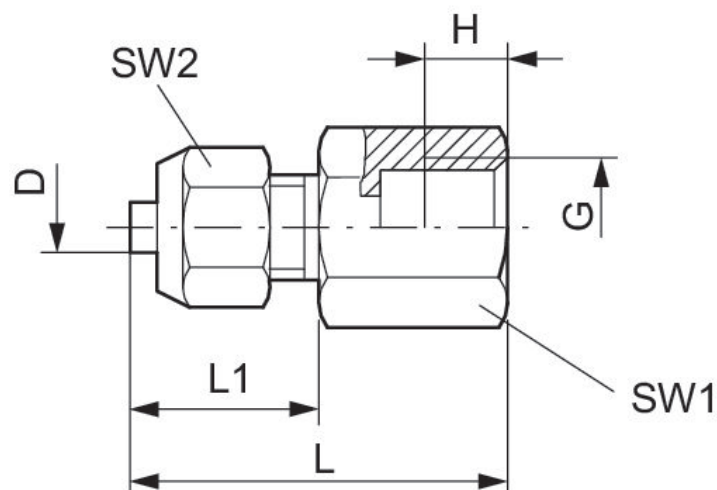
Series NU2

Compressed air connection type: Internal thread
 Compressed air connection type 2: plug-in with tube nut
 Ambient temperature min./max.: -10 °C ... 60 °C
 Working pressure min./max.: 0 bar ... 10 bar



G	Ø D	Delivery unit [piece]	Material	Part No.
G 1/4	Ø 4	10	Aluminum	1823391082
G 1/4	Ø 6	10	Aluminum	1823391083

Dimensions



Part No.	Port D	Port G	H	L	L1	SW 1	SW 2
1823391082	Ø 4	G 1/4	8	27	13	17	11
1823391083	Ø 6	G 1/4	8	28	14	17	13

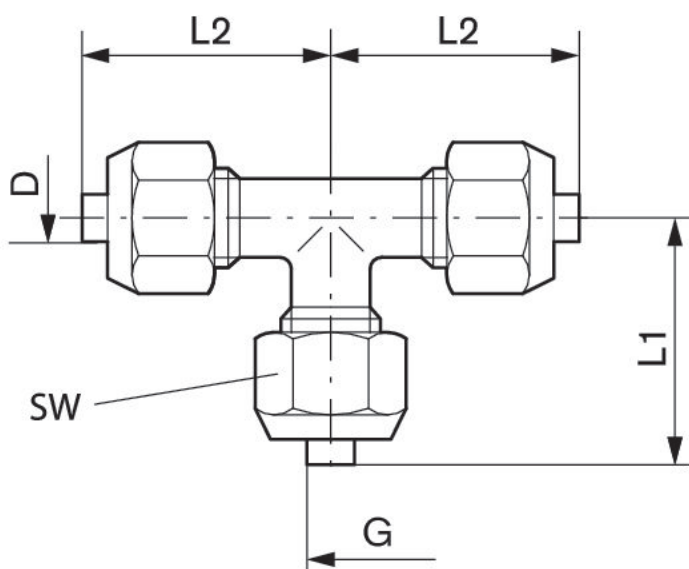
Connection D = inside diameter of the tubing to be used

Series NU2

Compressed air connection type: plug-in with tube nut
 Compressed air connection type 2: plug-in with tube nut
 Ambient temperature min./max.: -10 °C ... 70 °C
 Working pressure min./max.: -0.95 bar ... 15 bar



G	Ø D	Delivery unit [piece]	Material	Part No.
Ø 4	Ø 4	5	Aluminum	1823391088
Ø 6	Ø 6	5	Aluminum	1823391089



Part No.	Port D	Port G	L1	L2	SW
1823391088	Ø 4	Ø 4	23	23	13
1823391089	Ø 6	Ø 6	24	24	15

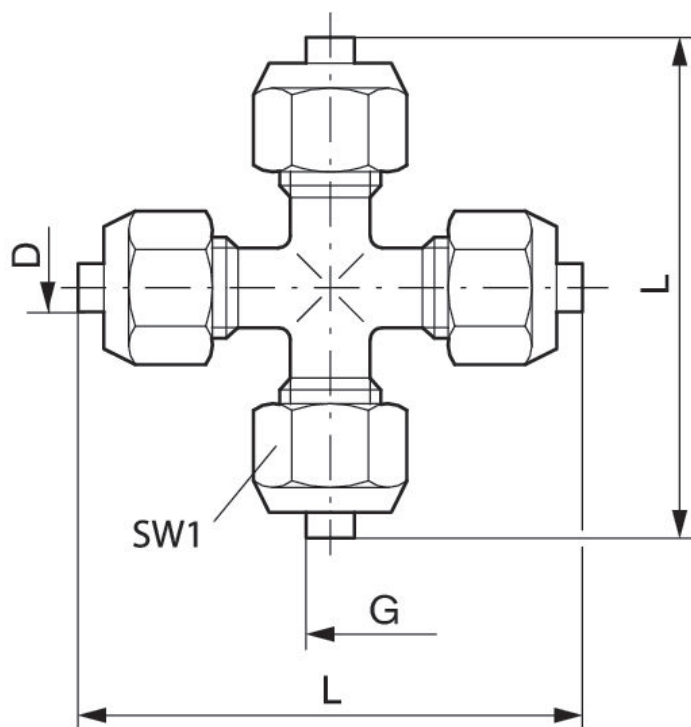
Connection D = inside diameter of the tubing to be used

Series NU2

Compressed air connection type: plug-in with tube nut
 Compressed air connection type 2: plug-in with tube nut
 Ambient temperature min./max.: -10 °C ... 70 °C
 Working pressure min./max.: -0.95 bar ... 15 bar



G	Ø D	Delivery unit [piece]	Material	Part No.
Ø 4	Ø 4	5	Aluminum	1823391090
Ø 6	Ø 6	5	Aluminum	1823391091

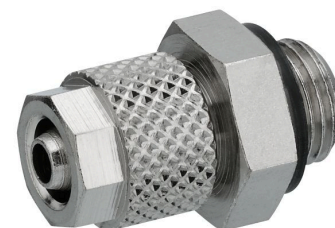


Part No.	Port D	Port G	L	SW1
1823391090	Ø 4	Ø 4	46	13
1823391091	Ø 6	Ø 6	48	15

Connection D = inside diameter of the tubing to be used

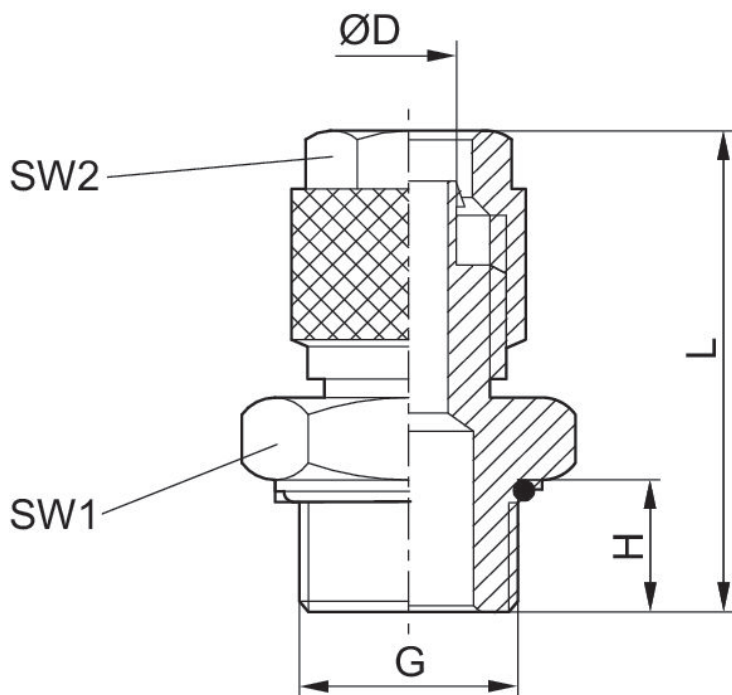
Series NU2

Compressed air connection type: External thread
 Compressed air connection type 2: plug-in with tube nut
 Ambient temperature min./max.: -10 °C ... 70 °C
 Working pressure min./max.: -0.95 bar ... 15 bar



G	Ø D	Delivery unit [piece]	Material	Part No.
M5	Ø 3	10	Brass	1823391065
M5	Ø 4	10	Brass	1823391066
G 1/8	Ø 3	10	Brass	1823391067
G 1/8	Ø 4	10	Brass	1823391008
G 1/8	Ø 6	10	Brass	1823391009
G 1/4	Ø 4	10	Brass	1823391010
G 1/4	Ø 6	10	Brass	1823391011
G 1/4	Ø 9	10	Brass	1823391030
G 3/8	Ø 6	10	Brass	1823391031
G 3/8	Ø 9	10	Brass	1823391032

Dimensions



Part No.	Port D	Port G	H	L	SW 1	SW 2
1823391065	Ø 3	M5	3.5	21	8	9
1823391066	Ø 4	M5	3.85	20	8	9
1823391067	Ø 3	G 1/8	4.5	21.7	13	8
1823391008	Ø 4	G 1/8	5.5	23.5	13	10
1823391009	Ø 6	G 1/8	4.5	23	14	12
1823391010	Ø 4	G 1/4	6	25.5	16	10
1823391011	Ø 6	G 1/4	6	25.5	16	12
1823391030	Ø 9	G 1/4	6	29	17	15
1823391031	Ø 6	G 3/8	7	26.5	19	12
1823391032	Ø 9	G 3/8	9	32.5	19	15

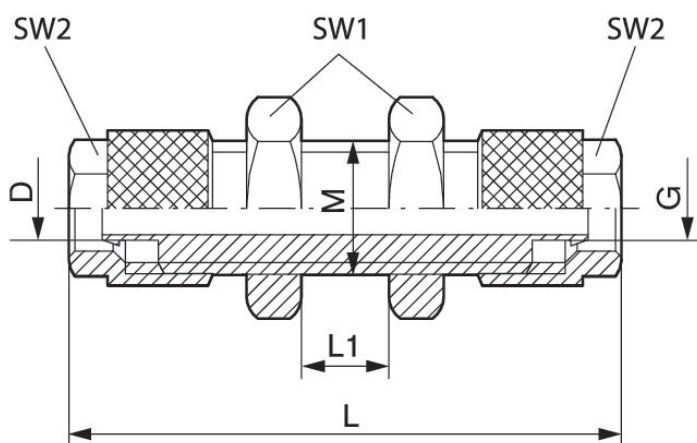
Connection D = inside diameter of the tubing to be used

Series NU2

Compressed air connection type: plug-in with tube nut
 Compressed air connection type 2: plug-in with tube nut
 Ambient temperature min./max.: -10 °C ... 70 °C
 Working pressure min./max.: -0.95 bar ... 15 bar



G	Ø D	Delivery unit [piece]	Material	Part No.
Ø 3	Ø 3	5	Brass	1823391084
Ø 4	Ø 4	5	Brass	1823391085
Ø 6	Ø 6	5	Brass	1823391086
Ø 9	Ø 9	5	Brass	1823391087

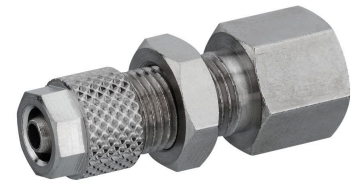


Part No.	Port D	Port G	M	L	L1 1)	SW 1	SW 2
1823391084	Ø 3	Ø 3	M7x0,75	35	10	10	8
1823391085	Ø 4	Ø 4	M10x1	45	12	14	10
1823391086	Ø 6	Ø 6	M12x1	45	12	17	12
1823391087	Ø 9	Ø 9	M16x1	58	13	19	15

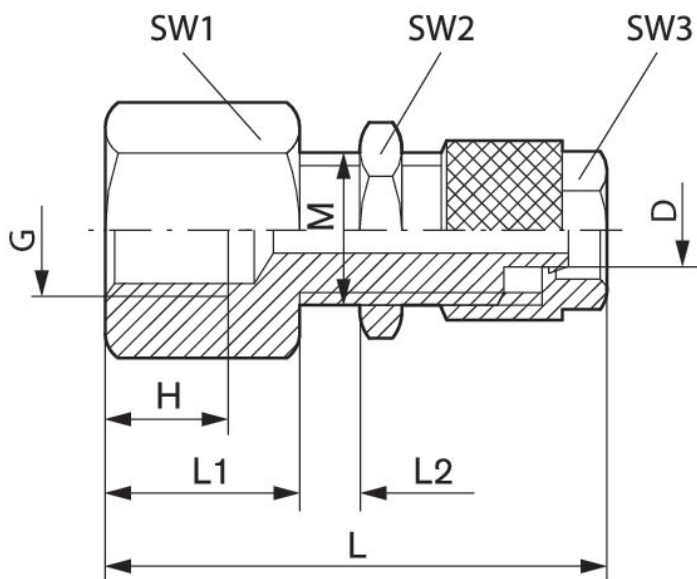
1) Max.
 Connection D = inside diameter of the tubing to be used

Series NU2

Compressed air connection type: Internal thread
 Compressed air connection type 2: plug-in with tube nut
 Ambient temperature min./max.: -10 °C ... 70 °C
 Working pressure min./max.: -0.95 bar ... 15 bar



G	Ø D	Delivery unit [piece]	Material	Part No.
M5	Ø 3	2	Brass	1823391306
G 1/8	Ø 4	2	Brass	1823391307
G 1/8	Ø 6	2	Brass	1823391308
G 1/4	Ø 6	2	Brass	1823391309
G 1/4	Ø 9	2	Brass	1823391310
G 3/8	Ø 6	2	Brass	1823391311



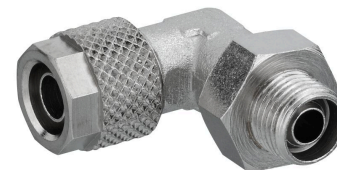
Part No.	Port D	Port G	H	L	L1	L2 1)	M	SW 1	SW 2
1823391306	Ø 3	M5	4.5	29	8	8	M7x0,75	9	10
1823391307	Ø 4	G 1/8	8	38	12	10	M10x1	13	14
1823391308	Ø 6	G 1/8	12	39	12	10	M12x1	17	17
1823391309	Ø 6	G 1/4	12	45	18	10	M12x1	17	17
1823391310	Ø 9	G 1/4	12	47	18	10	M16x1	22	19
1823391311	Ø 6	G 3/8	12	46	19	10	M12x1	17	17

Part No.	SW 3
1823391306	8
1823391307	10
1823391308	12
1823391309	12
1823391310	15
1823391311	12

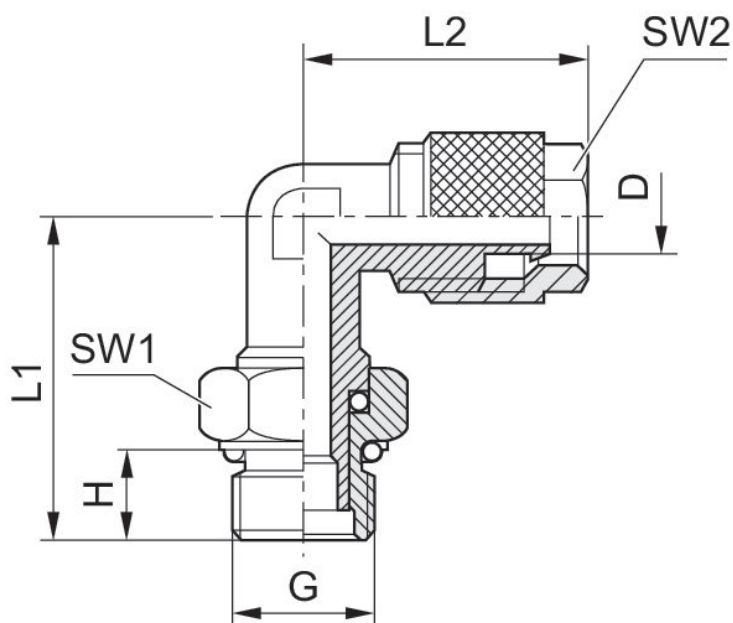
1) Max.
Connection D = inside diameter of the tubing to be used

Series NU2

Compressed air connection type: External thread
 Compressed air connection type 2: plug-in with tube nut
 Ambient temperature min./max.: -10 °C ... 70 °C
 Working pressure min./max.: -0.95 bar ... 15 bar



G	Ø D	Delivery unit [piece]	Material	Part No.
G 1/8	Ø 4	10	Brass	1823391774
G 1/8	Ø 6	10	Brass	1823391776
G 1/4	Ø 4	5	Brass	1823391775
G 1/4	Ø 6	5	Brass	1823391777
G 1/4	Ø 8	5	Brass	1823391778



Part No.	Port D	Port G	H	L1	L2	SW1	SW2
1823391774	Ø 4	G 1/8	6	22	20.6	14	10
1823391776	Ø 6	G 1/8	6	22	21.6	14	12
1823391775	Ø 4	G 1/4	8	27	24	17	10
1823391777	Ø 6	G 1/4	8	26.5	23.1	16	12
1823391778	Ø 8	G 1/4	8	27.5	24	16	14

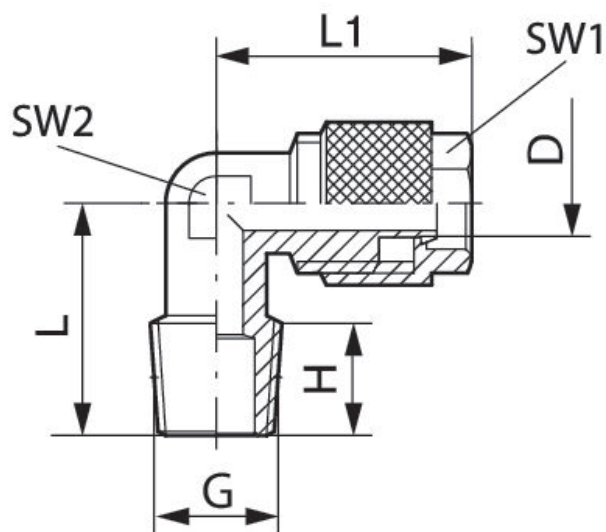
Connection D = inside diameter of the tubing to be used

Series NU2

Compressed air connection type: External thread
 Compressed air connection type 2: plug-in with tube nut
 Ambient temperature min./max.: -10 °C ... 70 °C
 Working pressure min./max.: -0.95 bar ... 15 bar



G	Ø D	Delivery unit [piece]	Material	Part No.
R 1/8	Ø 4	10	Brass	1823391784
R 1/8	Ø 6	5	Brass	1823391785
R 1/4	Ø 4	10	Brass	1823391786
R 1/4	Ø 6	5	Brass	1823391787
R 1/4	Ø 8	5	Brass	1823391788



Part No.	Port D	Port G	H	L	L1	SW 1	SW 2
1823391784	Ø 4	R 1/8	8.5	16.8	21	10	10
1823391785	Ø 6	R 1/8	8.5	17	20	12	10
1823391786	Ø 4	R 1/4	12.5	23	21.5	10	11
1823391787	Ø 6	R 1/4	11.8	22	22	12	11
1823391788	Ø 8	R 1/4	10.5	22	24	14	11

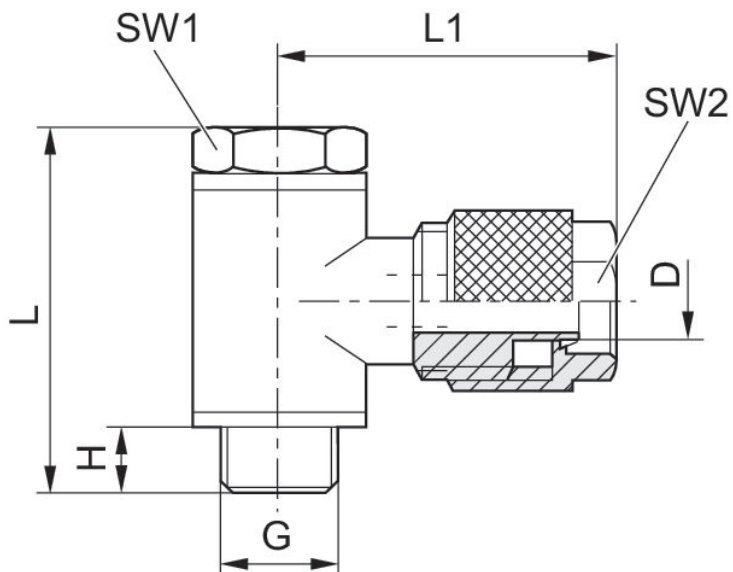
Connection D = inside diameter of the tubing to be used

Series NU2

Compressed air connection type: External thread
 Compressed air connection type 2: plug-in with tube nut
 Ambient temperature min./max.: -10 °C ... 70 °C
 Working pressure min./max.: -0.95 bar ... 15 bar



G	Ø D	Delivery unit [piece]	Material	Part No.
M5	Ø 3	5	Brass	1823391068
M5	Ø 4	5	Brass	1823391035
G 1/8	Ø 3	5	Brass	1823391069
G 1/8	Ø 4	5	Brass	1823391000
G 1/8	Ø 6	5	Brass	1823391001
G 1/4	Ø 4	5	Brass	1823391002
G 1/4	Ø 6	5	Brass	1823391003
G 1/4	Ø 9	2	Brass	1823391042
G 3/8	Ø 6	5	Brass	1823391040
G 3/8	Ø 9	2	Brass	1823391041



Part No.	Port D	Port G	H	L	L1	SW 1	SW 2
1823391068	Ø 3	M5	4.5	17.5	16.5	8	8
1823391035	Ø 4	M5	4.5	17.5	16.5	8	9
1823391069	Ø 3	G 1/8	6.5	28	21	14	8
1823391000	Ø 4	G 1/8	6.5	28	23	14	10
1823391001	Ø 6	G 1/8	6.5	28	23	14	12
1823391002	Ø 4	G 1/4	6.5	29.5	26	17	10
1823391003	Ø 6	G 1/4	6.5	29.5	26	17	12
1823391042	Ø 9	G 1/4	7.7	36.7	26	17	15
1823391040	Ø 6	G 3/8	7	36	26	19	12
1823391041	Ø 9	G 3/8	7	36	30	19	15

Connection D = inside diameter of the tubing to be used

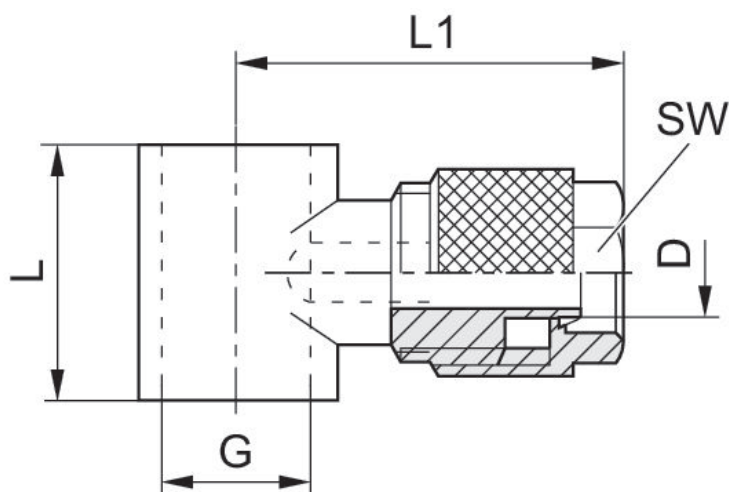
Series NU2

Compressed air connection type: Uncollected
 Compressed air connection type 2: plug-in with tube nut
 Ambient temperature min./max.: -10 °C ... 70 °C
 Working pressure min./max.: -0.95 bar ... 15 bar



G	Ø D	Delivery unit [piece]	Material	Part No.
G 1/8	Ø 3	10	Brass	1823391074
G 1/8	Ø 4	10	Brass	1823391075
G 1/8	Ø 6	10	Brass	1823391076
G 1/4	Ø 4	10	Brass	1823391056
G 1/4	Ø 6	10	Brass	1823391057
G 3/8	Ø 6	10	Brass	1823391058

Dimensions



Part No.	Port D	Port G	L	L1	SW
1823391074	Ø 3	G 1/8	15	21	8
1823391075	Ø 4	G 1/8	15	23	10
1823391076	Ø 6	G 1/8	15	23	12
1823391056	Ø 4	G 1/4	17	26	10
1823391057	Ø 6	G 1/4	17	26	12
1823391058	Ø 6	G 3/8	20	26	12

Connection D = inside diameter of the tubing to be used

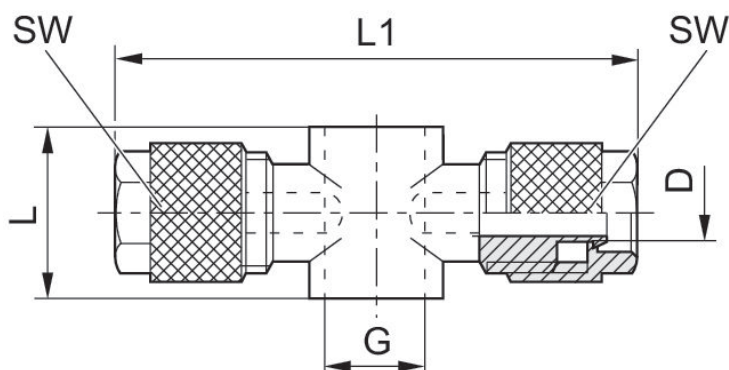
Series NU2

Compressed air connection type: Uncollected
 Compressed air connection type 2: plug-in with tube nut
 Ambient temperature min./max.: -10 °C ... 70 °C
 Working pressure min./max.: -0.95 bar ... 15 bar



G	Ø D	Delivery unit [piece]	Material	Part No.
G 1/8	Ø 3	5	Brass	1823391077
G 1/8	Ø 4	5	Brass	1823391078
G 1/8	Ø 6	5	Brass	1823391079
G 1/4	Ø 4	5	Brass	1823391061
G 1/4	Ø 6	5	Brass	1823391060
G 3/8	Ø 6	5	Brass	1823391062

Dimensions



Part No.	Port D	Port G	L	L1	SW
1823391077	Ø 3	G 1/8	15	42	8
1823391078	Ø 4	G 1/8	15	46	10
1823391079	Ø 6	G 1/8	15	46	12
1823391061	Ø 4	G 1/4	17	52	10
1823391060	Ø 6	G 1/4	17	52	12
1823391062	Ø 6	G 1/4	20	52	12

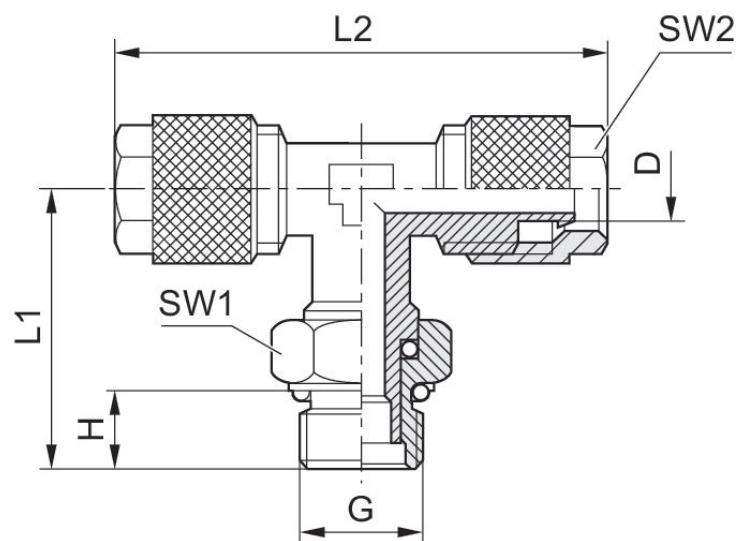
Connection D = inside diameter of the tubing to be used

Series NU2

Compressed air connection type: External thread
 Compressed air connection type 2: plug-in with tube nut
 Ambient temperature min./max.: -10 °C ... 70 °C
 Working pressure min./max.: -0.95 bar ... 15 bar



G	Ø D	Delivery unit [piece]	Material	Part No.
G 1/8	Ø 4	10	Brass	1823391779
G 1/8	Ø 6	10	Brass	1823391781
G 1/4	Ø 4	5	Brass	1823391780
G 1/4	Ø 6	5	Brass	1823391782
G 1/4	Ø 8	5	Brass	1823391783



Part No.	Port D	Port G	H	L1	L2	SW1	SW2
1823391779	Ø 4	G 1/8	6	22	40	13	10
1823391781	Ø 6	G 1/8	6	24	40	13	12
1823391780	Ø 4	G 1/4	8	26	40	16	10
1823391782	Ø 6	G 1/4	8	27.5	43	16	12
1823391783	Ø 8	G 1/4	8	27.5	45	16	14

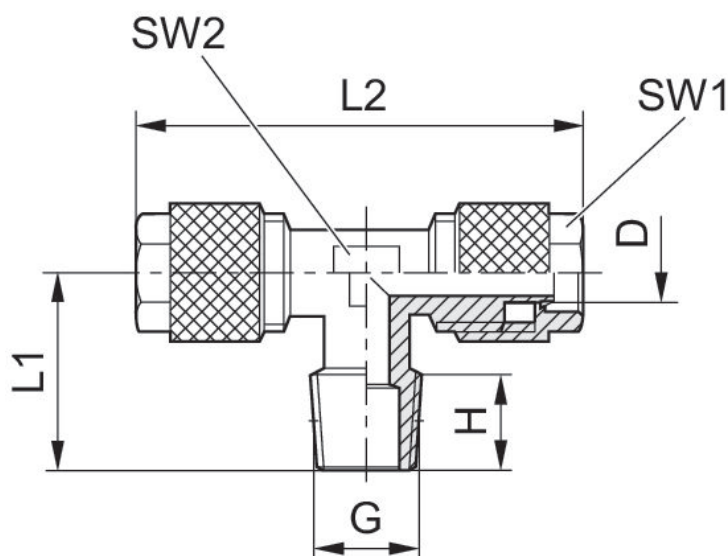
Connection D = inside diameter of the tubing to be used

Series NU2

Compressed air connection type: External thread
 Compressed air connection type 2: plug-in with tube nut
 Ambient temperature min./max.: -10 °C ... 70 °C
 Working pressure min./max.: -0.95 bar ... 15 bar



G	Ø D	Delivery unit [piece]	Material	Part No.
R 1/8	Ø 4	10	Brass	1823391789
R 1/8	Ø 6	5	Brass	1823391790
R 1/4	Ø 4	10	Brass	1823391791
R 1/4	Ø 6	5	Brass	1823391792
R 1/4	Ø 8	5	Brass	1823391793



Part No.	Port D	Port G	H	L1	L2	SW 1	SW 2
1823391789	Ø 4	R 1/8	7.3	14.5	36	8	8
1823391790	Ø 6	R 1/8	7.3	16	37	9	9
1823391791	Ø 4	R 1/4	10.5	19	40	9	9
1823391792	Ø 6	R 1/4	11	20	40	9	9
1823391793	Ø 8	R 1/4	10.5	22	41	12	12

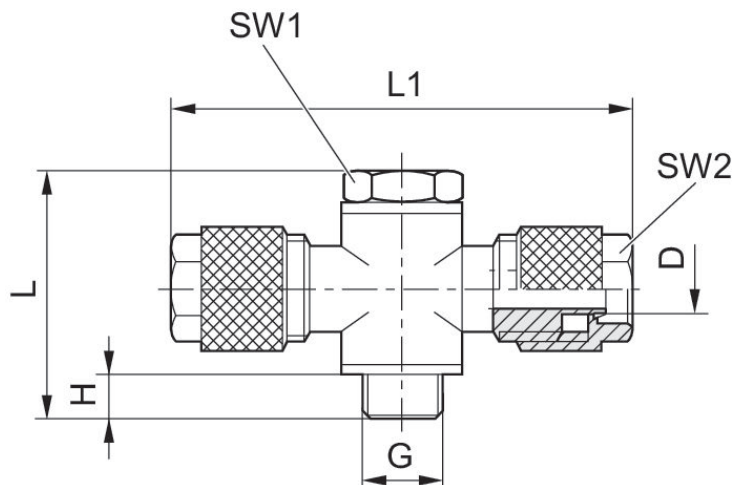
Connection D = inside diameter of the tubing to be used

Series NU2

Compressed air connection type: External thread
 Compressed air connection type 2: plug-in with tube nut
 Ambient temperature min./max.: -10 °C ... 70 °C
 Working pressure min./max.: -0.95 bar ... 15 bar



G	Ø D	Delivery unit [piece]	Material	Part No.
M5	Ø 3	5	Brass	1823391071
M5	Ø 4	5	Brass	1823391036
G 1/8	Ø 3	5	Brass	1823391070
G 1/8	Ø 4	5	Brass	1823391004
G 1/8	Ø 6	5	Brass	1823391005
G 1/4	Ø 4	5	Brass	1823391006
G 1/4	Ø 6	5	Brass	1823391007
G 3/8	Ø 6	2	Brass	1823391033
G 3/8	Ø 9	2	Brass	1823391034

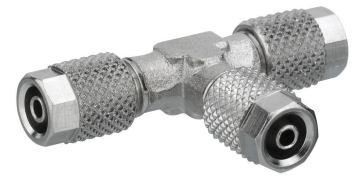


Part No.	Port D	Port G	H	L	L1	SW 1	SW 2
1823391071	Ø 3	M5	3.5	17.5	31	8	8
1823391036	Ø 4	M5	3.5	17.5	31	8	9
1823391070	Ø 3	G 1/8	6.5	28	42	14	8
1823391004	Ø 4	G 1/8	6	28	45	14	10
1823391005	Ø 6	G 1/8	6	28	45	14	12
1823391006	Ø 4	G 1/4	6.5	29.5	49	17	10
1823391007	Ø 6	G 1/4	7	33	49	17	12
1823391033	Ø 6	G 3/8	8	31.5	50	22	12
1823391034	Ø 9	G 3/8	8	31.5	60	22	15

Connection D = inside diameter of the tubing to be used

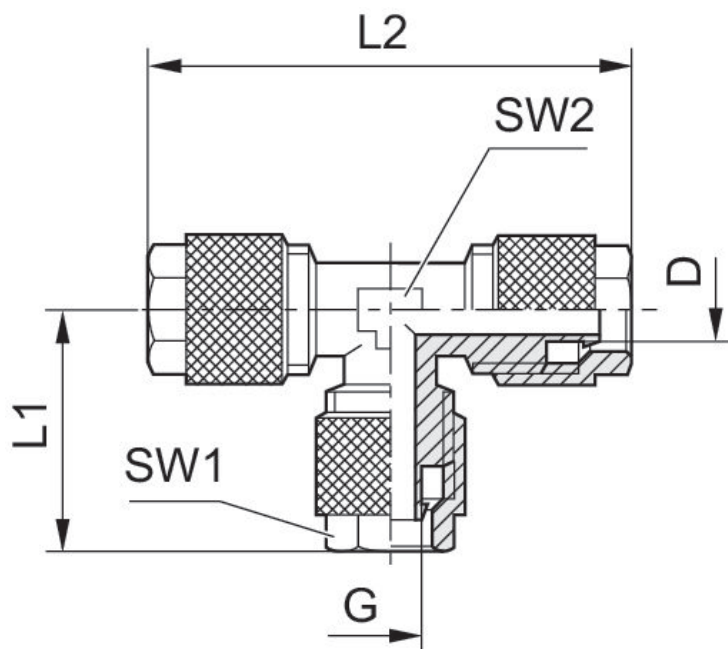
Series NU2

Compressed air connection type: plug-in with tube nut
 Compressed air connection type 2: plug-in with tube nut
 Ambient temperature min./max.: -10 °C ... 70 °C
 Working pressure min./max.: -0.95 bar ... 15 bar



G	Ø D	Delivery unit [piece]	Material	Part No.
Ø 3	Ø 3	10	Brass	1823391794
Ø 4	Ø 4	10	Brass	1823391795
Ø 4	Ø 6	5	Brass	1823391796
Ø 6	Ø 6	5	Brass	1823391797
Ø 4	Ø 8	5	Brass	1823391798
Ø 6	Ø 8	5	Brass	1823391799
Ø 8	Ø 8	5	Brass	1823391800

Dimensions



Part No.	Port D	Port G	L1	L2	SW 1	SW 2
1823391794	Ø 3	Ø 3	20.8	41.2	8	8
1823391795	Ø 4	Ø 4	20	41.2	10	8
1823391796	Ø 6	Ø 4	20	40	12	9
1823391797	Ø 6	Ø 6	20	41	12	9
1823391798	Ø 8	Ø 4	19	44	14	11
1823391799	Ø 8	Ø 6	21	44	14	11
1823391800	Ø 8	Ø 8	22.5	45.5	14	11

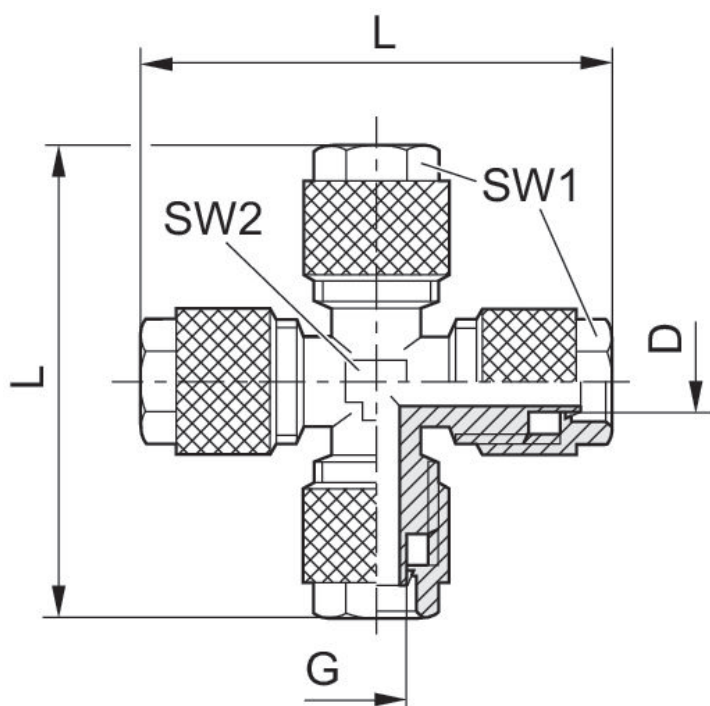
Connection D = inside diameter of the tubing to be used

Series NU2

Compressed air connection type: plug-in with tube nut
 Compressed air connection type 2: plug-in with tube nut
 Ambient temperature min./max.: -10 °C ... 70 °C
 Working pressure min./max.: -0.95 bar ... 15 bar



G	Ø D	Delivery unit [piece]	Material	Part No.
Ø 3	Ø 3	5	Brass	1823391801
Ø 4	Ø 4	5	Brass	1823391802
Ø 6	Ø 6	5	Brass	1823391803
Ø 8	Ø 8	5	Brass	1823391804



Part No.	Port D	Port G	L	SW 1	SW 2
1823391801	Ø 3	Ø 3	41.2	8	8
1823391802	Ø 4	Ø 4	40	10	8
1823391803	Ø 6	Ø 6	41	12	9
1823391804	Ø 8	Ø 8	44	14	11

Connection D = inside diameter of the tubing to be used

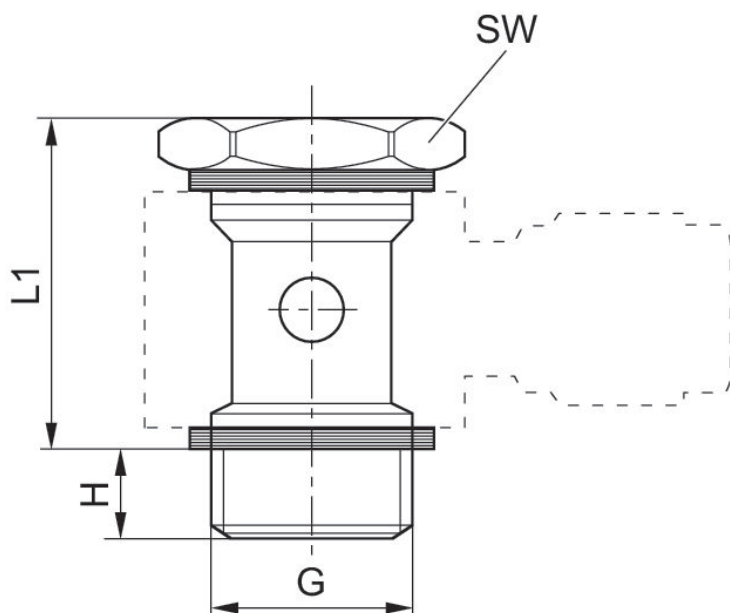
Series NU2

Compressed air connection type: External thread
 Compressed air connection type 2: Uncollected
 Ambient temperature min./max.: 0 °C ... 80 °C
 Working pressure min./max.: -0.95 bar ... 15 bar



G	Delivery unit [piece]	Material	Part No.
G 1/8	10	Brass	1823391259

Dimensions



Part No.	Port G	H	L1	SW
1823391259	G 1/8	6.5	21.5	14

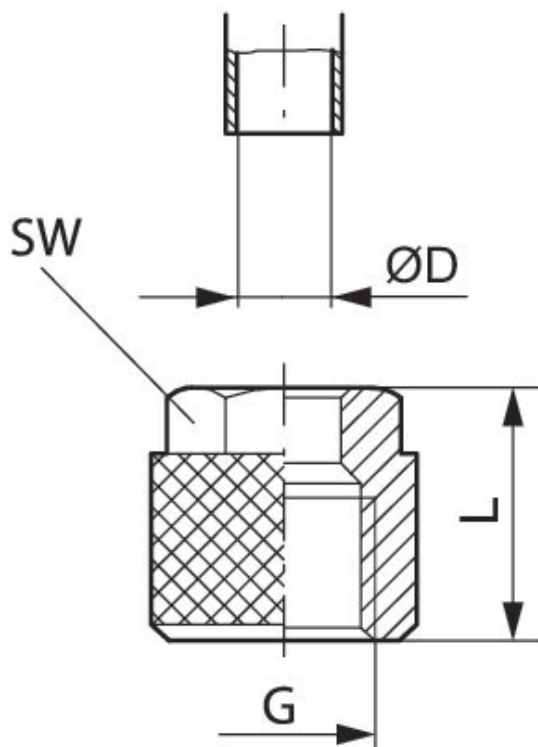
Connection D = inside diameter of the tubing to be used

Series NU2

Ambient temperature min./max.: -10 °C ... 70 °C
Working pressure min./max.: -0.95 bar ... 15 bar



Delivery unit [piece]	Material	Part No.
50	Brass	1823313001
50	Brass	1823340001
50	Brass	1823340000







Part No.	G	ØD	L	SW
1823313001	M8x0,75	6	11	9
1823340001	M10x1	6	11	10
1823340000	M12x1	8	11.5	12
tablefooter				

Connection D = inside diameter of the tubing to be used

Efficient pneumatic solutions, our program:
cylinders and drives, valves and valve systems,
air supply management, proportional pressure
control valves



Visit us: www.Emerson.com/aventics
Your local contact: Emerson.com/contactus

-  Emerson.com
-  Facebook.com/EmersonAutomationSolutions
-  LinkedIn.com/company/Emerson-Automation-Solutions
-  Twitter.com/EMR_Automation



The Emerson logo is a trademark and service mark of Emerson Electric Co. AVENTICS is a registered trademark of one of the Emerson family of companies. All other trademarks are the property of their respective owners. © 2020 Emerson Electric Co. All rights reserved.



CONSIDER IT SOLVED™