

Series NU1



AVENTICS™

**AVENTICS Series NU1 Fittings
with tube nuts**



AVENTICS Series NU1 Fittings with tube nuts

AVENTICS Series NU1, are a complete range of plastic fittings with tube nuts, Versatile and safe NU1 plastic fittings with nuts benefit of a large selection of connection type.



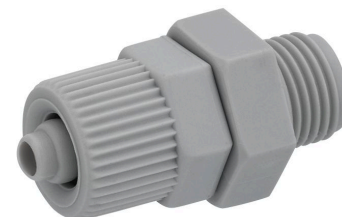
Product overview

| | Page |
|--------------------------------|------|
| Fittings with tube nuts | |
| Series NU1..... | 4 |
| Straight fitting | |
| Series NU1..... | 6 |
| bulkhead connector | |
| Series NU1..... | 7 |
| Elbow fitting | |
| Series NU1..... | 8 |
| Swivel banjo connection 1-fold | |
| Series NU1..... | 9 |
| 1x banjo union | |
| Series NU1..... | 10 |
| T-Banjo connection | |
| Series NU1..... | 11 |
| 2x banjo union | |
| Series NU1..... | 12 |
| T-connector | |
| Accessories overview | |
| Series NU1..... | 13 |
| tube nut | |

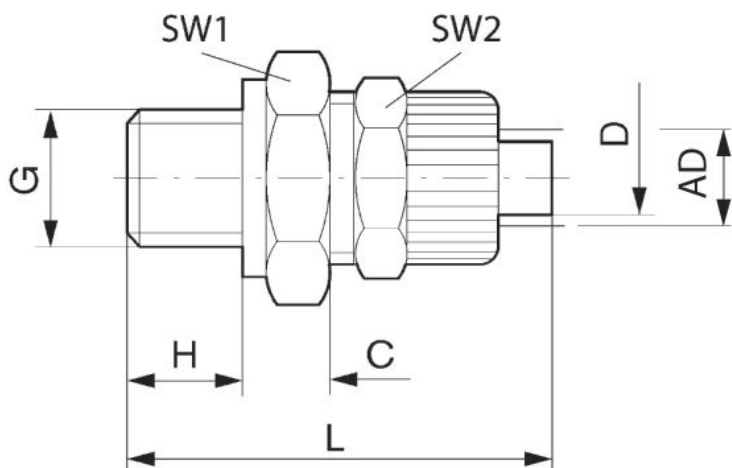
Series NU1

Ambient temperature min./max.: -10 °C ... 60 °C

Working pressure min./max.: 0 bar ... 10 bar



| G | Ø D | Delivery unit [piece] | Material | Part No. |
|-------|-----|-----------------------|------------------|------------|
| G 1/8 | Ø 4 | 25 | Polyoxymethylene | 1823391037 |
| G 1/8 | Ø 6 | 25 | Polyoxymethylene | 1823391038 |
| G 1/4 | Ø 4 | 25 | Polyoxymethylene | 1823391039 |
| G 1/4 | Ø 6 | 25 | Polyoxymethylene | 1823391044 |
| G 1/4 | Ø 9 | 25 | Polyoxymethylene | 1823391267 |
| G 3/8 | Ø 6 | 25 | Polyoxymethylene | 1823391263 |
| G 3/8 | Ø 9 | 10 | Polyoxymethylene | 1823391268 |



| Part No. | Port D | Port G | C | H | L | SW 1 | SW 2 | AD 1) |
|------------|--------|--------|-----|-----|------|------|------|-------|
| 1823391037 | Ø 4 | G 1/8 | 6 | 6.5 | 28.5 | 14 | 12 | 6.2 |
| 1823391038 | Ø 6 | G 1/8 | 5 | 6.5 | 28.5 | 14 | 14 | 8.2 |
| 1823391039 | Ø 4 | G 1/4 | 6.8 | 8.5 | 31.3 | 17 | 12 | 6.2 |
| 1823391044 | Ø 6 | G 1/4 | 5.8 | 8.5 | 31.3 | 17 | 14 | 8.2 |
| 1823391267 | Ø 9 | G 1/4 | 7.1 | 8.1 | 33.7 | 17 | 19 | 12.4 |
| 1823391263 | Ø 6 | G 3/8 | 7.4 | 10 | 34.4 | 19 | 14 | 8.2 |
| 1823391268 | Ø 9 | G 3/8 | 6.6 | 10 | 35.1 | 19 | 19 | 12.4 |

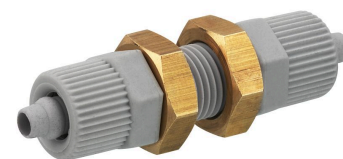
Connection D = inside diameter of the tubing to be used

1) AD = external diameter of the tubing to be used

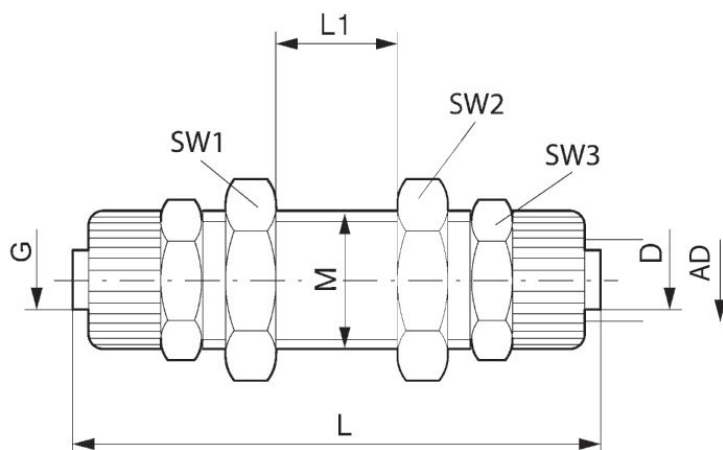
Series NU1

Ambient temperature min./max.: -10 °C ... 60 °C

Working pressure min./max.: 0 bar ... 10 bar



| G | Ø D | Delivery unit [piece] | Material | Part No. |
|-----|-----|-----------------------|------------------|------------|
| Ø 4 | Ø 4 | 10 | Polyoxymethylene | 1823391277 |
| Ø 6 | Ø 6 | 10 | Polyoxymethylene | 1823391278 |
| Ø 9 | Ø 9 | 10 | Polyoxymethylene | 1823391279 |



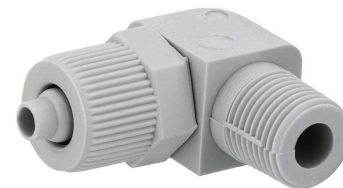
| Part No. | Port D | Port G | L max. | L1 | M | SW 1 | SW 2 | SW 3 | AD 1) |
|------------|--------|--------|--------|----|-------|------|------|------|-------|
| 1823391277 | Ø 4 | Ø 4 | 51.4 | 10 | M10x1 | 14 | 14 | 12 | 6 |
| 1823391278 | Ø 6 | Ø 6 | 51.4 | 10 | M12x1 | 17 | 17 | 14 | 8 |
| 1823391279 | Ø 9 | Ø 9 | 64 | 10 | M16x1 | 22 | 22 | 19 | 12 |

1) AD = external diameter of the tubing to be used
Connection D = inside diameter of the tubing to be used

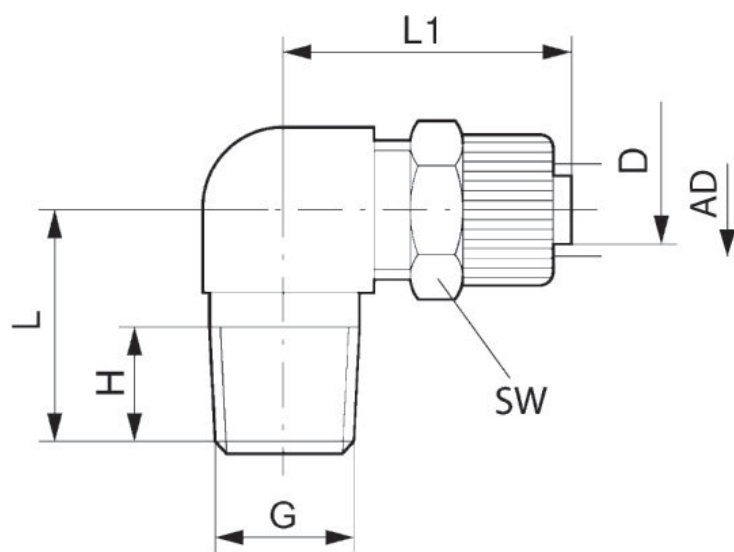
Series NU1

Ambient temperature min./max.: -10 °C ... 60 °C

Working pressure min./max.: 0 bar ... 10 bar



| G | Ø D | Delivery unit [piece] | Material | Part No. |
|-------|-----|-----------------------|------------------|------------|
| R 1/8 | Ø 4 | 10 | Polyoxymethylene | 1823391269 |
| R 1/8 | Ø 6 | 10 | Polyoxymethylene | 1823391270 |
| R 1/4 | Ø 4 | 10 | Polyoxymethylene | 1823391271 |
| R 1/4 | Ø 6 | 10 | Polyoxymethylene | 1823391272 |
| R 1/4 | Ø 9 | 10 | Polyoxymethylene | 1823391273 |



| Part No. | Port D | Port G | H | L | L1 | SW | AD 1) |
|------------|--------|--------|----|------|----|----|-------|
| 1823391269 | Ø 4 | R 1/8 | 8 | 17.5 | 22 | 12 | 6.2 |
| 1823391270 | Ø 6 | R 1/8 | 8 | 17.5 | 22 | 14 | 8.2 |
| 1823391271 | Ø 4 | R 1/4 | 11 | 21 | 24 | 12 | 6.2 |
| 1823391272 | Ø 6 | R 1/4 | 11 | 21 | 24 | 14 | 8.2 |
| 1823391273 | Ø 9 | R 1/4 | 11 | 24 | 26 | 19 | 12.4 |

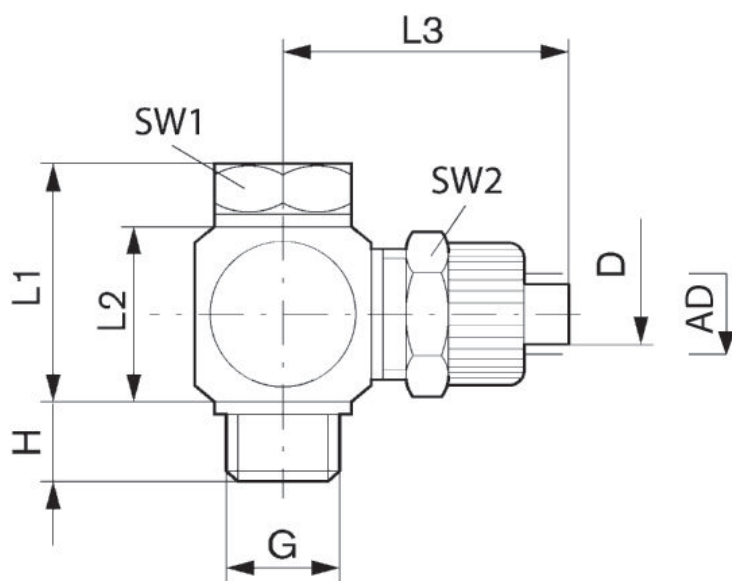
Connection D = inside diameter of the tubing to be used
1) AD = external diameter of the tubing to be used

Series NU1

Compressed air connection type: External thread
 Compressed air connection type 2: plug-in with tube nut
 Ambient temperature min./max.: -10 °C ... 60 °C
 Working pressure min./max.: 0 bar ... 10 bar



| G | Ø D | Delivery unit [piece] | Material | Part No. |
|-------|-----|-----------------------|------------------|------------|
| G 1/8 | Ø 4 | 10 | Polyoxymethylene | 1823391102 |
| G 1/8 | Ø 6 | 10 | Polyoxymethylene | 1823391103 |
| G 1/4 | Ø 4 | 10 | Polyoxymethylene | 1823391104 |
| G 1/4 | Ø 6 | 10 | Polyoxymethylene | 1823391105 |



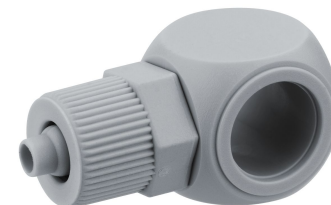
| Part No. | Port D | Port G | H | L1 | L2 | L3 | SW 1 | SW 2 | AD 1) |
|------------|--------|--------|-----|------|------|------|------|------|-------|
| 1823391102 | Ø 4 | G 1/8 | 7.7 | 20.2 | 16.3 | 24.5 | 14 | 12 | 6 |
| 1823391103 | Ø 6 | G 1/8 | 7.7 | 20.2 | 16.3 | 24.5 | 14 | 14 | 8 |
| 1823391104 | Ø 4 | G 1/4 | 8.8 | 21 | 16.3 | 26.5 | 17 | 12 | 6 |
| 1823391105 | Ø 6 | G 1/4 | 8.8 | 21 | 16.3 | 26.5 | 17 | 14 | 8 |

Connection D = inside diameter of the tubing to be used
 1) AD = external diameter of the tubing to be used

Series NU1

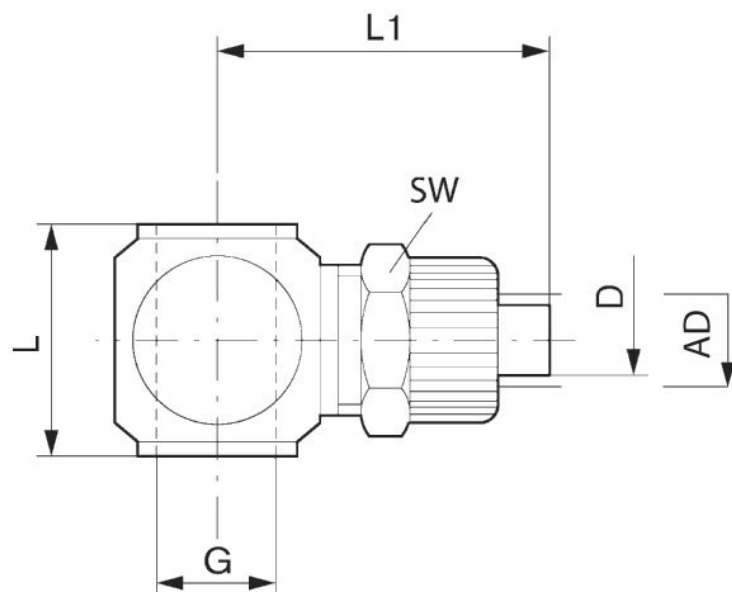
Ambient temperature min./max.: -10 °C ... 60 °C

Working pressure min./max.: 0 bar ... 10 bar



| G | Ø D | Delivery unit [piece] | Material | Part No. |
|-------|-----|-----------------------|------------------|------------|
| G 1/8 | Ø 4 | 25 | Polyoxymethylene | 1823391110 |
| G 1/8 | Ø 6 | 25 | Polyoxymethylene | 1823391111 |
| G 1/4 | Ø 4 | 25 | Polyoxymethylene | 1823391112 |
| G 1/4 | Ø 6 | 25 | Polyoxymethylene | 1823391113 |

Dimensions



| Part No. | Port D | Port G | L | L1 | SW | AD 1) |
|------------|--------|--------|------|------|----|-------|
| 1823391110 | Ø 4 | G 1/8 | 16.3 | 24.5 | 12 | 4 |
| 1823391111 | Ø 6 | G 1/8 | 16.3 | 24.5 | 14 | 6 |
| 1823391112 | Ø 4 | G 1/4 | 16.3 | 26.5 | 12 | 4 |
| 1823391113 | Ø 6 | G 1/4 | 16.3 | 26.5 | 14 | 6 |

Connection D = inside diameter of the tubing to be used

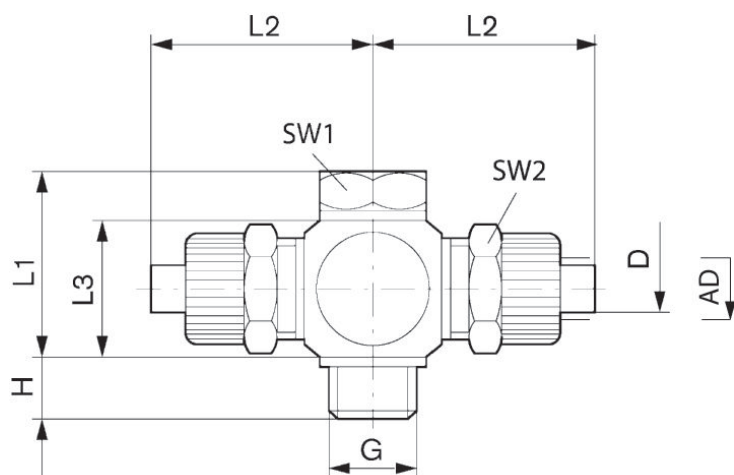
1) AD = external diameter of the tubing to be used

Series NU1

Compressed air connection type: External thread
 Compressed air connection type 2: plug-in with tube nut
 Ambient temperature min./max.: -10 °C ... 60 °C
 Working pressure min./max.: 0 bar ... 10 bar



| G | Ø D | Delivery unit [piece] | Material | Part No. |
|-------|-----|-----------------------|------------------|------------|
| G 1/8 | Ø 4 | 10 | Polyoxymethylene | 1823391106 |
| G 1/8 | Ø 6 | 10 | Polyoxymethylene | 1823391107 |
| G 1/4 | Ø 4 | 10 | Polyoxymethylene | 1823391108 |
| G 1/4 | Ø 6 | 10 | Polyoxymethylene | 1823391109 |



| Part No. | Port D | Port G | H | L1 | L2 | L3 | SW 1 | SW 2 | AD 1) |
|------------|--------|--------|-----|------|----|------|------|------|-------|
| 1823391106 | Ø 4 | G 1/8 | 7 | 20.5 | 25 | 16.3 | 14 | 12 | 6 |
| 1823391107 | Ø 6 | G 1/8 | 7 | 20.5 | 25 | 16.3 | 14 | 14 | 8 |
| 1823391108 | Ø 4 | G 1/4 | 7.5 | 21.5 | 27 | 16.3 | 17 | 12 | 6 |
| 1823391109 | Ø 6 | G 1/4 | 7.5 | 21.5 | 27 | 16.3 | 17 | 14 | 8 |

Connection D = inside diameter of the tubing to be used
 1) AD = external diameter of the tubing to be used

Series NU1

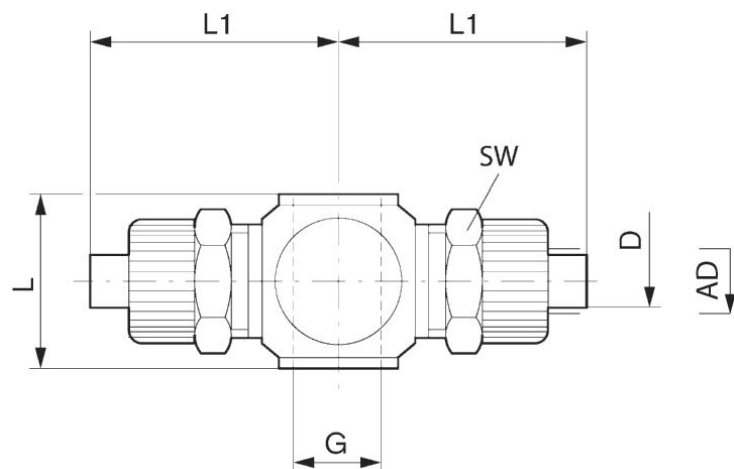
Ambient temperature min./max.: -10 °C ... 60 °C

Working pressure min./max.: 0 bar ... 10 bar



| G | Ø D | Delivery unit [piece] | Material | Part No. |
|-------|-----|-----------------------|------------------|------------|
| G 1/8 | Ø 4 | 10 | Polyoxymethylene | 1823391114 |
| G 1/8 | Ø 6 | 10 | Polyoxymethylene | 1823391115 |
| G 1/4 | Ø 4 | 10 | Polyoxymethylene | 1823391116 |
| G 1/4 | Ø 6 | 10 | Polyoxymethylene | 1823391117 |

Dimensions



| Part No. | Port D | Port G | L | L1 | SW | AD 1) |
|------------|--------|--------|------|------|----|-------|
| 1823391114 | Ø 4 | G 1/8 | 16.5 | 23.5 | 12 | 6.2 |
| 1823391115 | Ø 6 | G 1/8 | 16.5 | 24.5 | 14 | 8.2 |
| 1823391116 | Ø 4 | G 1/4 | 16.5 | 25.5 | 12 | 6.2 |
| 1823391117 | Ø 6 | G 1/4 | 16.5 | 26.5 | 14 | 8.2 |

Connection D = inside diameter of the tubing to be used

1) AD = external diameter of the tubing to be used

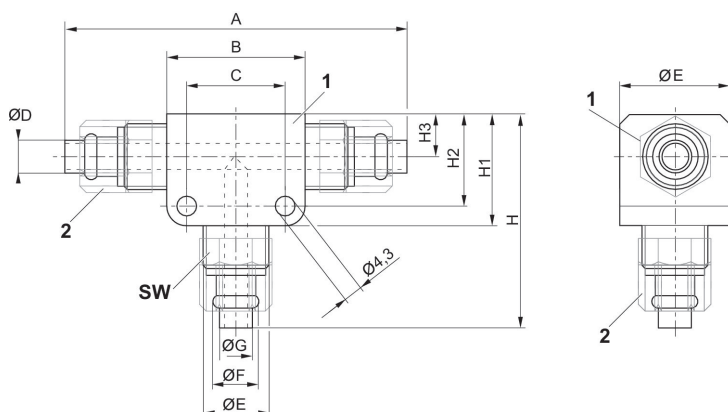
Series NU1

Ambient temperature min./max.: -10 °C ... 60 °C

Working pressure min./max.: 0 bar ... 10 bar



| G | Ø D | Delivery unit [piece] | Material | Part No. |
|-----|-----|-----------------------|------------------|------------|
| Ø 4 | Ø 4 | 10 | Polyoxymethylene | 1823391118 |
| Ø 6 | Ø 6 | 10 | Polyoxymethylene | 1823391119 |
| Ø 9 | Ø 9 | 10 | Polyoxymethylene | 1823391275 |



- 1) T-connector
- 2) tube nut

| Part No. | Port D | Port G | A | B | C | ØE | Ø F | H | H1 |
|------------|--------|--------|----|----|------|-------|------|----|------|
| 1823391118 | Ø 4 | Ø 4 | 52 | 20 | 12 | M10x1 | 5.5 | 32 | 15.8 |
| 1823391119 | Ø 6 | Ø 6 | 52 | 20 | 12 | M12x1 | 7.3 | 34 | 18 |
| 1823391275 | Ø 9 | Ø 9 | 63 | 25 | 15.5 | M16x1 | 10.2 | 40 | 21.3 |

| Part No. | H2 | H3 | SW |
|------------|------|----|----|
| 1823391118 | 12 | 6 | 12 |
| 1823391119 | 14 | 8 | 14 |
| 1823391275 | 16.5 | 8 | 19 |

Connection D = inside diameter of the tubing to be used

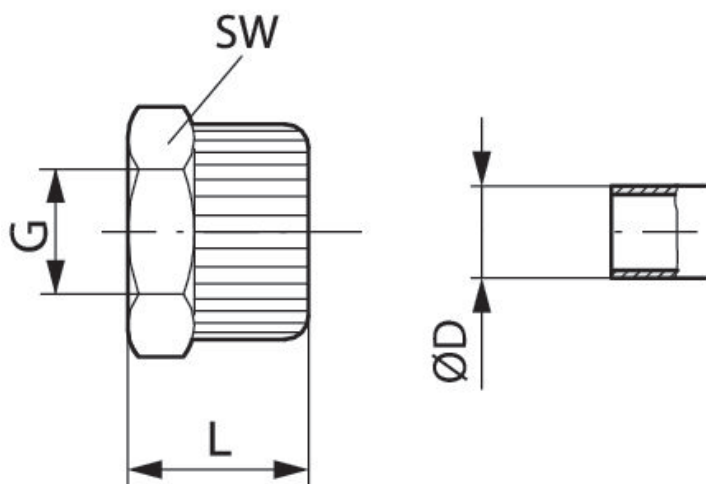
Series NU1

Ambient temperature min./max.: -10 °C ... 60 °C

Working pressure min./max.: 0 bar ... 10 bar



| G | Ø D | Delivery unit [piece] | Material | Part No. |
|-------|-----|-----------------------|------------------|------------|
| M10x1 | Ø 6 | 50 | Polyoxymethylene | 1823313002 |
| M12x1 | Ø 8 | 50 | Polyoxymethylene | 1823313003 |







| Part No. | G | ØD | L | SW |
|------------|-------|----|----|----|
| 1823313002 | M10x1 | 6 | 13 | 12 |
| 1823313003 | M12x1 | 8 | 13 | 14 |

Connection D = inside diameter of the tubing to be used

Efficient pneumatic solutions, our program:
cylinders and drives, valves and valve systems,
air supply management, proportional pressure
control valves



Visit us: www.Emerson.com/aventics
Your local contact: Emerson.com/contactus

-  Emerson.com
-  Facebook.com/EmersonAutomationSolutions
-  LinkedIn.com/company/Emerson-Automation-Solutions
-  Twitter.com/EMR_Automation



The Emerson logo is a trademark and service mark of Emerson Electric Co. AVENTICS is a registered trademark of one of the Emerson family of companies. All other trademarks are the property of their respective owners. © 2020 Emerson Electric Co. All rights reserved.



CONSIDER IT SOLVED™