

## Multiacoplamiento



**AVENTICS™**

**Multi acoplamiento AVENTICS™**

  
**EMERSON™**

Multi acoplamiento AVENTICS™



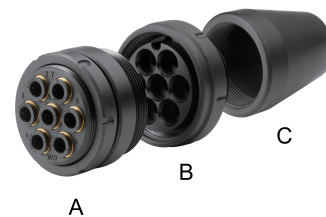
## Vista general del producto

### Multiacoplamiento

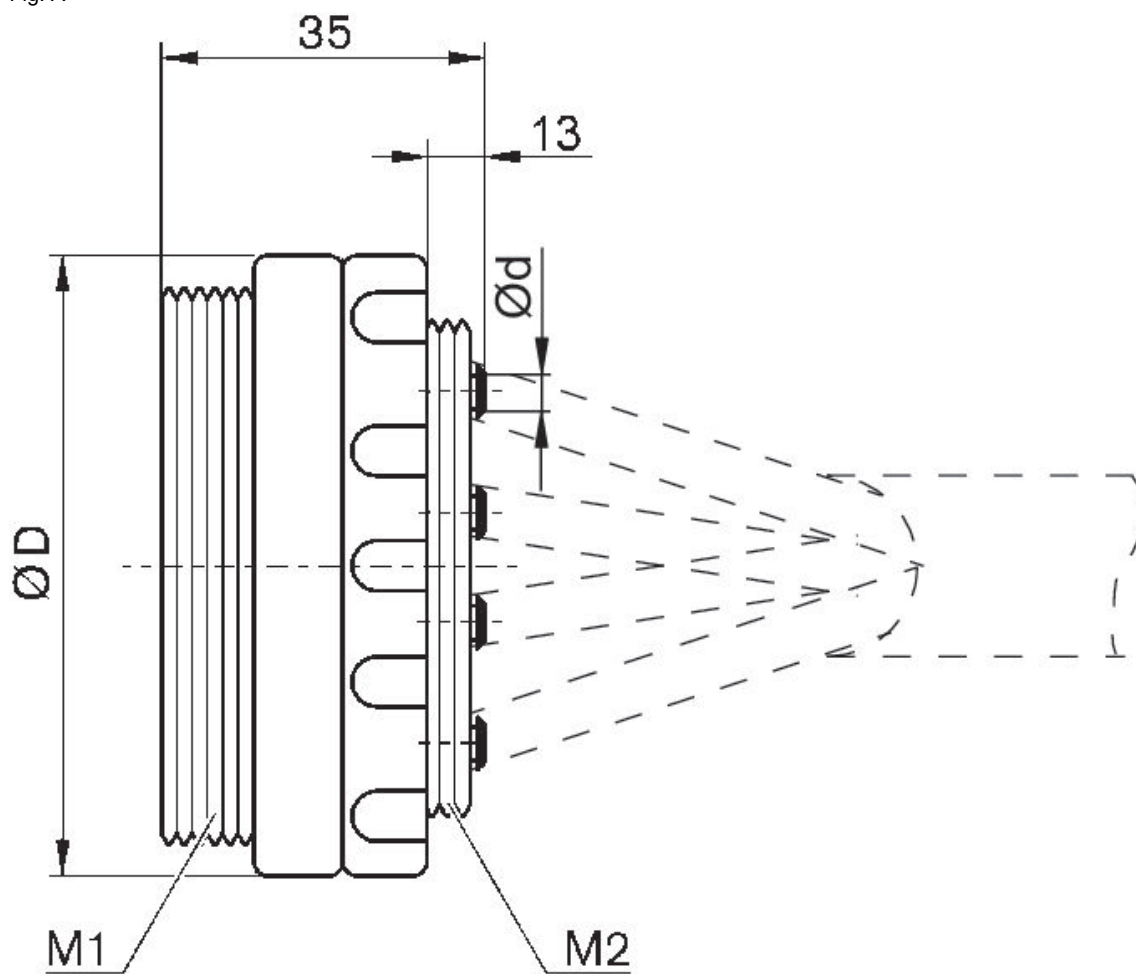
Multiacoplamiento.....	4
------------------------	---

**Multiacoplamiento**

Temperatura ambiental mín./máx.: -20 °C ... 80 °C  
 Temperatura del medio mín./máx.: -20 °C ... 80 °C  
 Presión de funcionamiento mín./máx.: 0 bar ... 16 bar



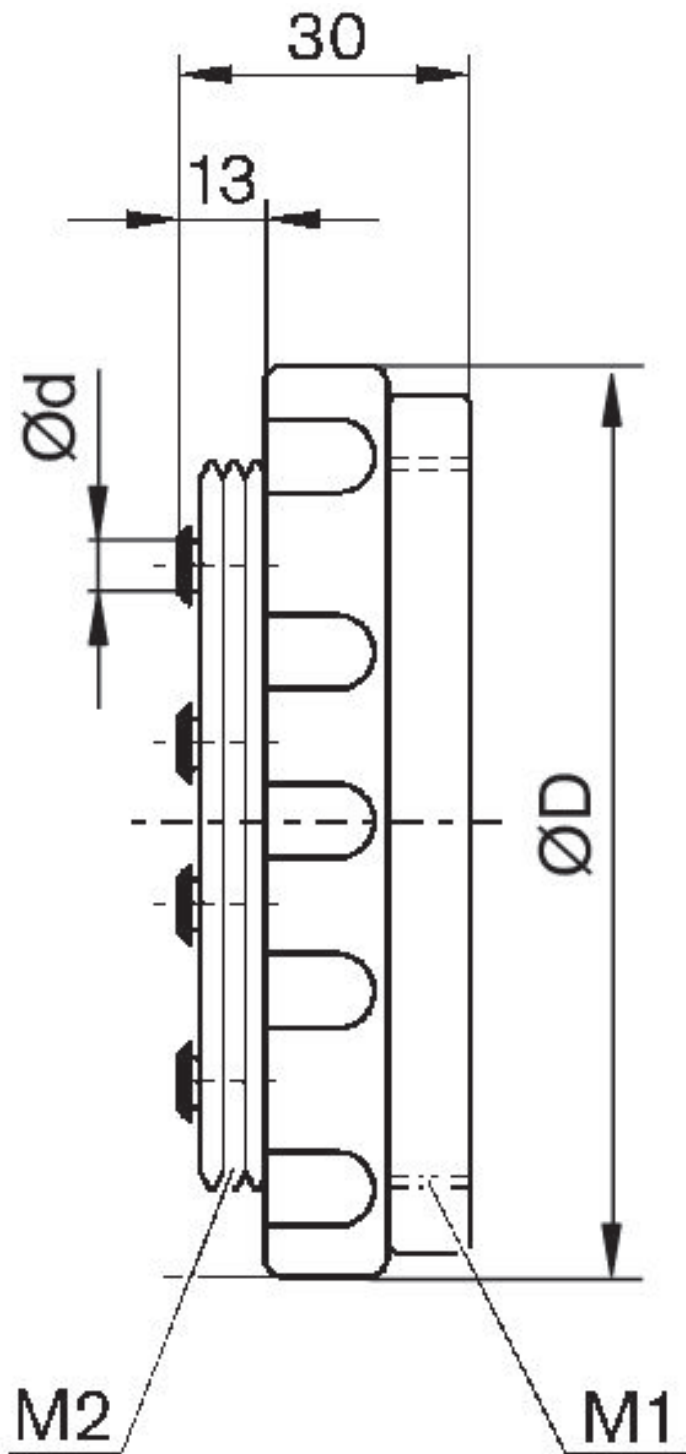
Unidad de suministro [Unidades]	Diámetro de manguera exterior [mm]	Número de Conexión	N° de material
1	4	4	R412007569
1	6	4	R412007573
1	4	4	R412007570
1	6	4	R412007574
1	4	7	R412007571
1	6	7	R412007575
1	4	7	R412007572
1	6	7	R412007576
1		4, 7	R412007577

Enchufe de acoplamiento  
Fig. A

N° de material	M1	M2	Ød 1)	ØD
R412007569	M46x1,5	M40x1,5	4	50
R412007571	M46x1,5	M40x1,5	4	50
R412007573	M46x1,5	M40x1,5	6	50
R412007575	M46x1,5	M40x1,5	6	50

1) Ø de manguera (exterior)

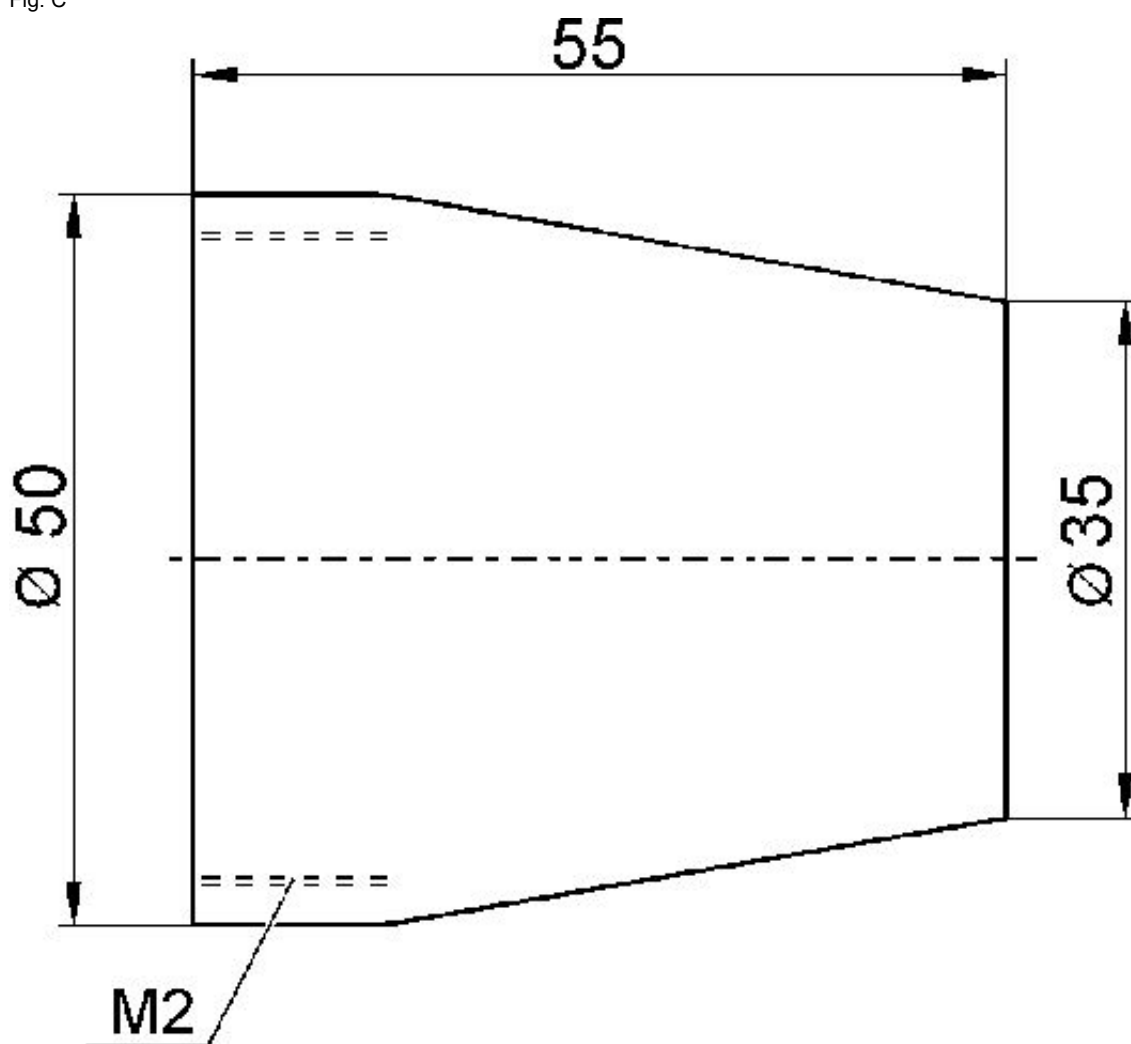
casquillo de acoplamiento  
Fig. B



N° de material	M1	M2	Ød 1)	ØD
R412007570	M46x1,5	M40x1,5	4	55
R412007572	M46x1,5	M40x1,5	4	55
R412007574	M46x1,5	M40x1,5	6	55
R412007576	M46x1,5	M40x1,5	6	55

1) Ø de manguera (exterior)

Caperuza protectora  
Fig. C







La caperuza protectora se puede montar a ambos lados del acoplamiento.

N° de material	M2
R412007577	M40x1,5

Efficient pneumatic solutions, our program:  
cylinders and drives, valves and valve systems,  
air supply management, proportional pressure  
control valves



Visit us: [www.Emerson.com/aventics](http://www.Emerson.com/aventics)  
Your local contact: [Emerson.com/contactus](http://Emerson.com/contactus)

-  [Emerson.com](http://Emerson.com)
-  [Facebook.com/EmersonAutomationSolutions](https://Facebook.com/EmersonAutomationSolutions)
-  [LinkedIn.com/company/Emerson-Automation-Solutions](https://LinkedIn.com/company/Emerson-Automation-Solutions)
-  [Twitter.com/EMR\\_Automation](https://Twitter.com/EMR_Automation)



The Emerson logo is a trademark and service mark of Emerson Electric Co. AVENTICS is a registered trademark of one of the Emerson family of companies. All other trademarks are the property of their respective owners. © 2020 Emerson Electric Co. All rights reserved.



**CONSIDER IT SOLVED™**