

Multi-coupling



AVENTICS Multi-coupling



Product overview

Page

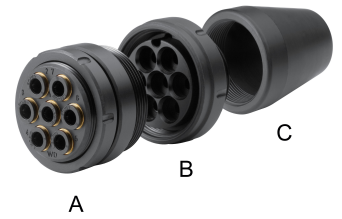
Multi-coupling

Multi-coupling.....

4

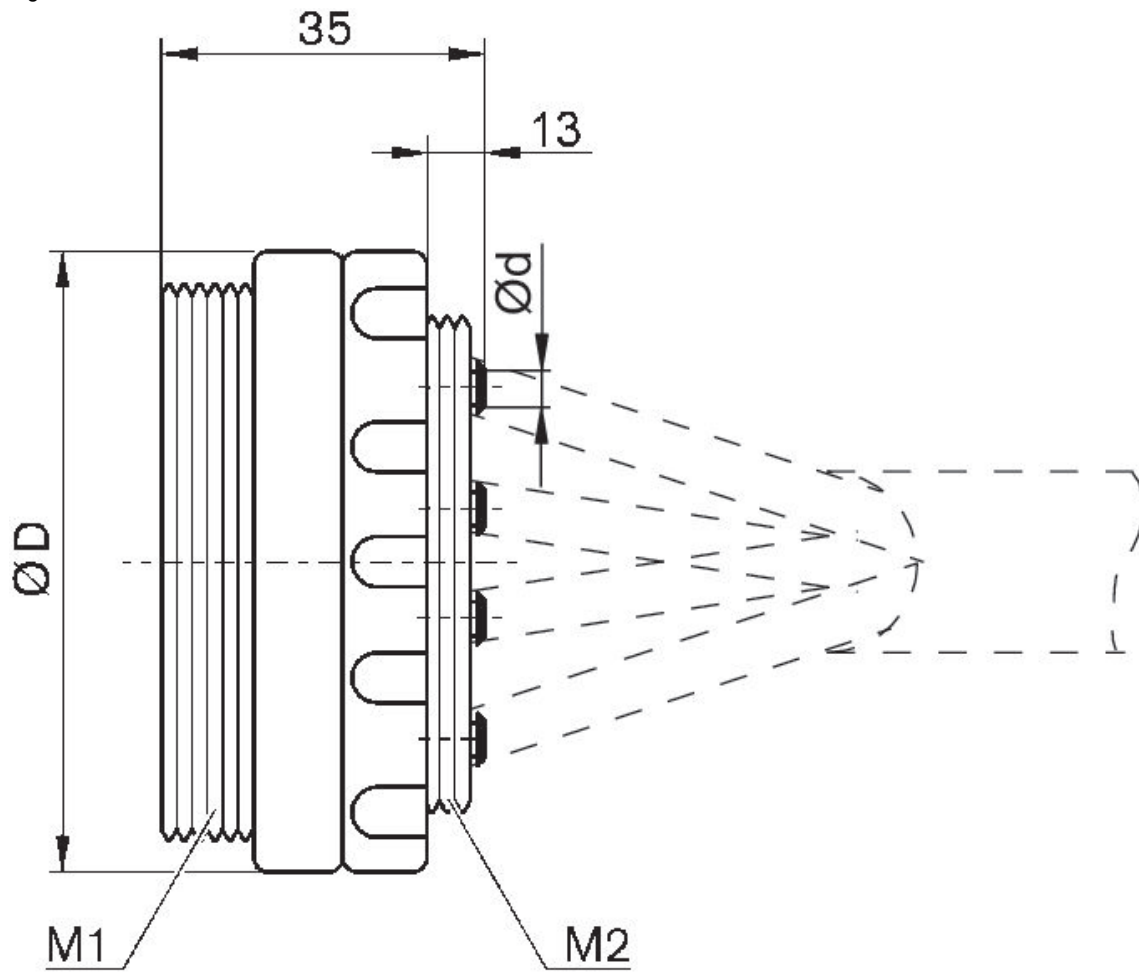
Multi-coupling

Ambient temperature min./max.: -20 °C ... 80 °C
 Medium temperature min./max.: -20 °C ... 80 °C
 Working pressure min./max.: 0 bar ... 16 bar



Delivery unit [piece]	Tubing outside diameter [mm]	Number of Connections	Part No.
1	4	4	R412007569
1	6	4	R412007573
1	4	4	R412007570
1	6	4	R412007574
1	4	7	R412007571
1	6	7	R412007575
1	4	7	R412007572
1	6	7	R412007576
1		4, 7	R412007577

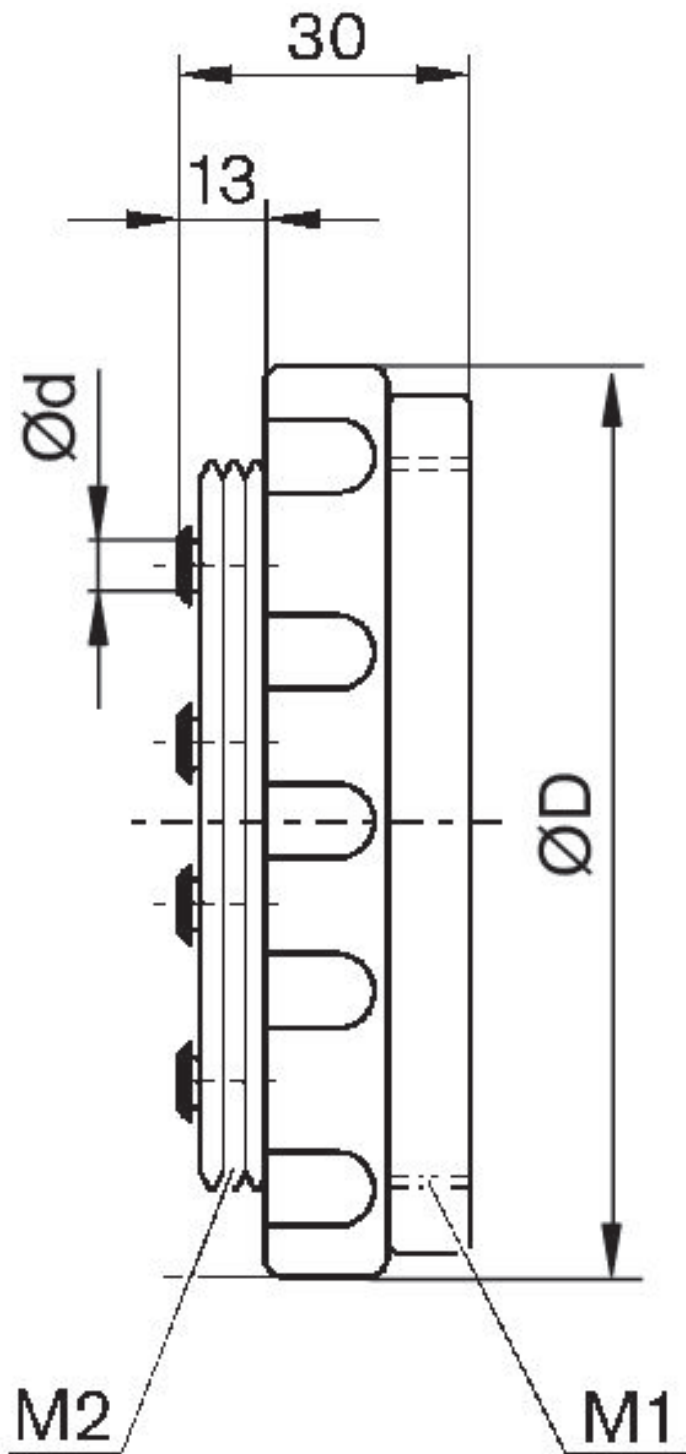
Coupling plug
Fig. A



Part No.	M1	M2	Ød 1)	ØD
R412007569	M46x1,5	M40x1,5	4	50
R412007571	M46x1,5	M40x1,5	4	50
R412007573	M46x1,5	M40x1,5	6	50
R412007575	M46x1,5	M40x1,5	6	50

1) Tubing-Ø (external)

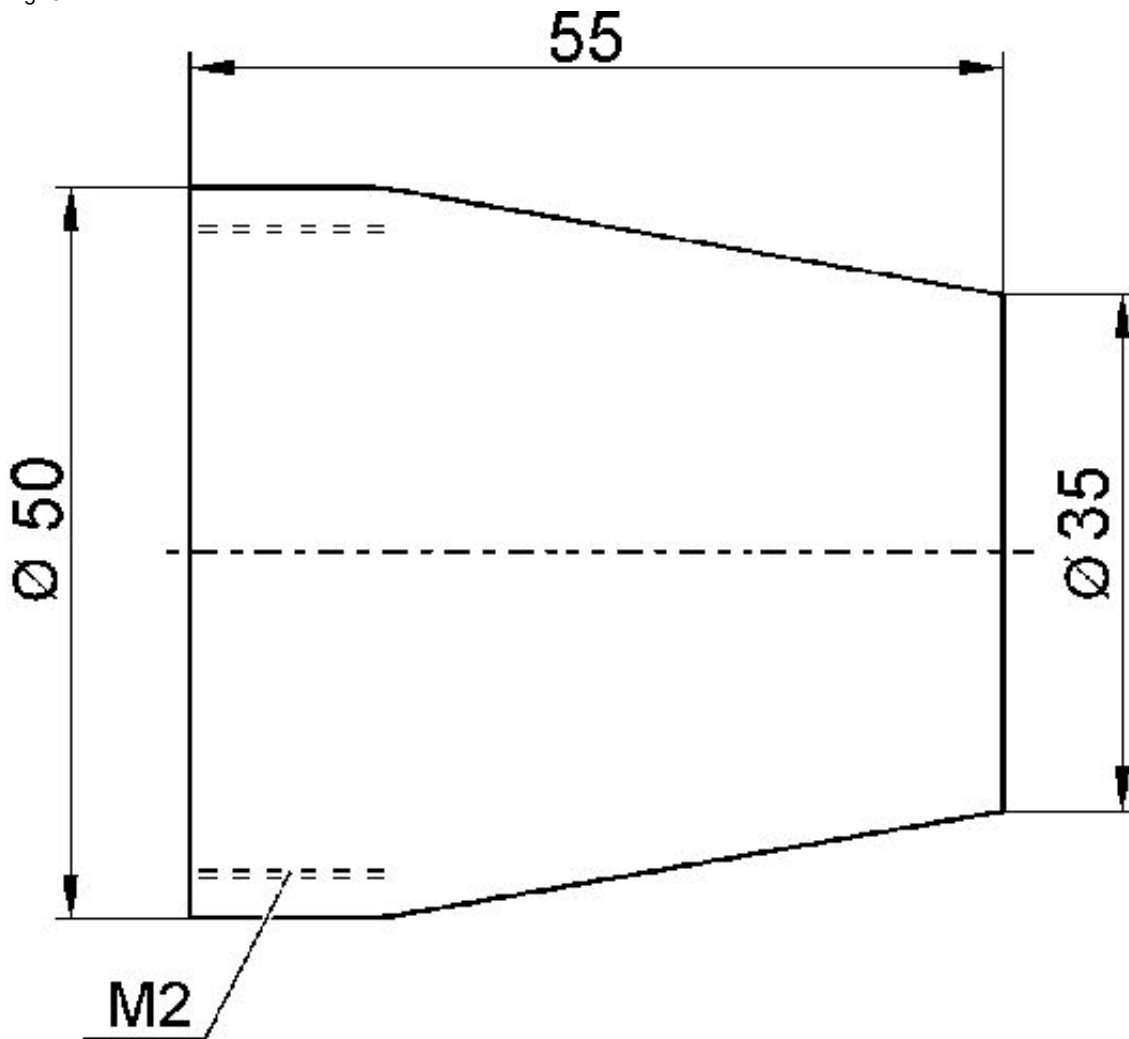
coupling bushing
Fig. B



Part No.	M1	M2	Ød 1)	ØD
R412007570	M46x1,5	M40x1,5	4	55
R412007572	M46x1,5	M40x1,5	4	55
R412007574	M46x1,5	M40x1,5	6	55
R412007576	M46x1,5	M40x1,5	6	55

1) Tubing-Ø (external)

Protective cap
Fig. C







The protective cap can be assembled on both sides of the coupling.

Part No.	M2
R412007577	M40x1,5

Efficient pneumatic solutions, our program:
cylinders and drives, valves and valve systems,
air supply management, proportional pressure
control valves



Visit us: www.Emerson.com/aventics
Your local contact: Emerson.com/contactus

-  Emerson.com
-  Facebook.com/EmersonAutomationSolutions
-  LinkedIn.com/company/Emerson-Automation-Solutions
-  Twitter.com/EMR_Automation



The Emerson logo is a trademark and service mark of Emerson Electric Co. AVENTICS is a registered trademark of one of the Emerson family of companies. All other trademarks are the property of their respective owners. © 2020 Emerson Electric Co. All rights reserved.



CONSIDER IT SOLVED™