

AVENTICS 分气块和条形分气块



分气块和分气块条

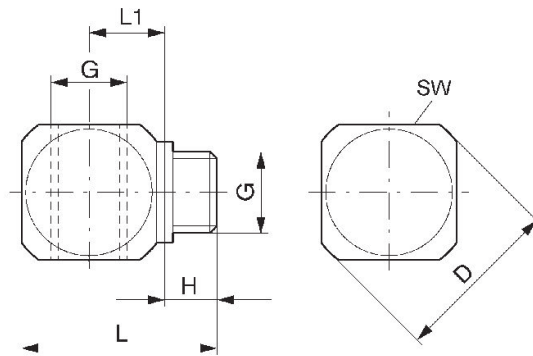


T-分气块



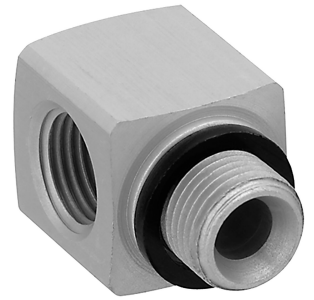
| 压缩空气连接 | 供货数量 [件] | 重量 [kg] | 物料号 |
|--------|-------------|------------|------------|
| M5 | 10 | 0.006 | 1823391096 |
| G 1/8 | 10 | 0.01 | 1823391097 |
| G 1/4 | 10 | 0.018 | 1823391098 |
| G 3/8 | 5 | 0.032 | 1823391099 |
| G 1/2 | 2 | 0.075 | 1823391383 |

规格



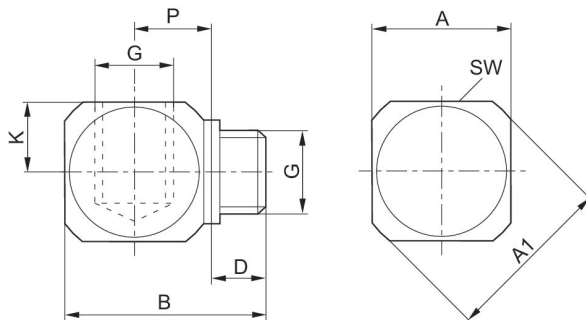
| 物料号 | G | D | H | L | L1 | SW |
|------------|-------|------|----|------|------|----|
| 1823391096 | M5 | 12.5 | 5 | 15 | 5.5 | 10 |
| 1823391097 | G 1/8 | 20 | 7 | 24 | 9 | 15 |
| 1823391098 | G 1/4 | 28.5 | 10 | 30 | 11 | 22 |
| 1823391099 | G 3/8 | 35 | 10 | 33 | 12.5 | 27 |
| 1823391383 | G 1/2 | 46 | 12 | 41.5 | 16 | 36 |

直角螺纹接头



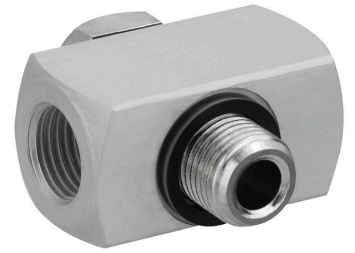
| 压缩空气连接 | 供货数量 [件] | 重量 [kg] | 物料号 |
|--------|-------------|------------|------------|
| M5 | 10 | 0.007 | 1823391092 |
| G 1/8 | 10 | 0.01 | 1823391093 |
| G 1/4 | 10 | 0.02 | 1823391094 |
| G 3/8 | 5 | 0.034 | 1823391095 |
| G 1/2 | 2 | 0.08 | 1823391384 |

规格



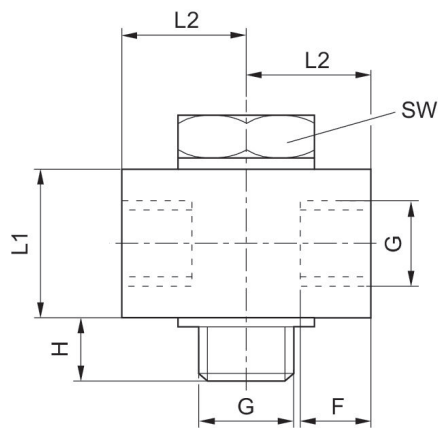
| 物料号 | G | A | A1 | B | D | K | P | SW |
|------------|-------|----|------|------|----|----|------|----|
| 1823391092 | M5 | 10 | 12.5 | 15 | 5 | 7 | 4.5 | 10 |
| 1823391093 | G 1/8 | 15 | 20 | 24 | 7 | 11 | 8 | 15 |
| 1823391094 | G 1/4 | 22 | 28.5 | 30 | 10 | 16 | 10 | 22 |
| 1823391095 | G 3/8 | 27 | 35 | 33 | 10 | 21 | 11.5 | 27 |
| 1823391384 | G 1/2 | 36 | 46 | 41.5 | 12 | 30 | 15 | 36 |

T - 旋转分气块



| 压缩空气连接 | 供货数量 [件] | 重量 [kg] | 物料号 |
|--------|-------------|------------|------------|
| G 1/8 | 5 | 0.02 | 1823391049 |
| G 1/4 | 5 | 0.025 | 1823391050 |
| G 3/8 | 2 | 0.044 | 1823391481 |
| G 1/2 | 2 | 0.086 | 1823391482 |

规格



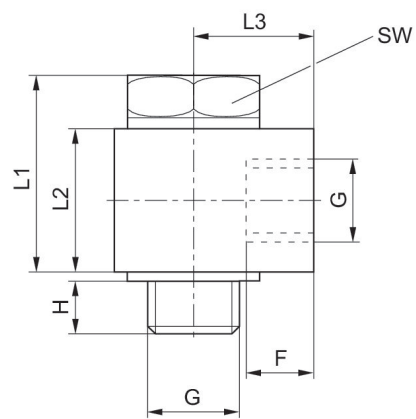
| 物料号 | G | F | H | L1 | L2 | SW |
|------------|-------|-----|------|------|------|----|
| 1823391049 | G 1/8 | 9,5 | 7,5 | 15 | 14 | 14 |
| 1823391050 | G 1/4 | 13 | 9,7 | 20 | 19,5 | 17 |
| 1823391481 | G 3/8 | 15 | 9,25 | 23,5 | 23 | 22 |
| 1823391482 | G 1/2 | 17 | 11,5 | 28 | 27 | 27 |

弯角螺纹接头



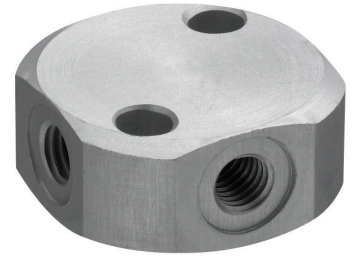
| 压缩空气连接 | 供货数量 [件] | 重量 [kg] | 物料号 |
|--------|-------------|------------|------------|
| G 1/8 | 10 | 0.015 | 1823391047 |
| G 1/4 | 5 | 0.02 | 1823391048 |
| G 3/8 | 2 | 0.04 | 1823391479 |
| G 1/2 | 2 | 0.075 | 1823391480 |

规格



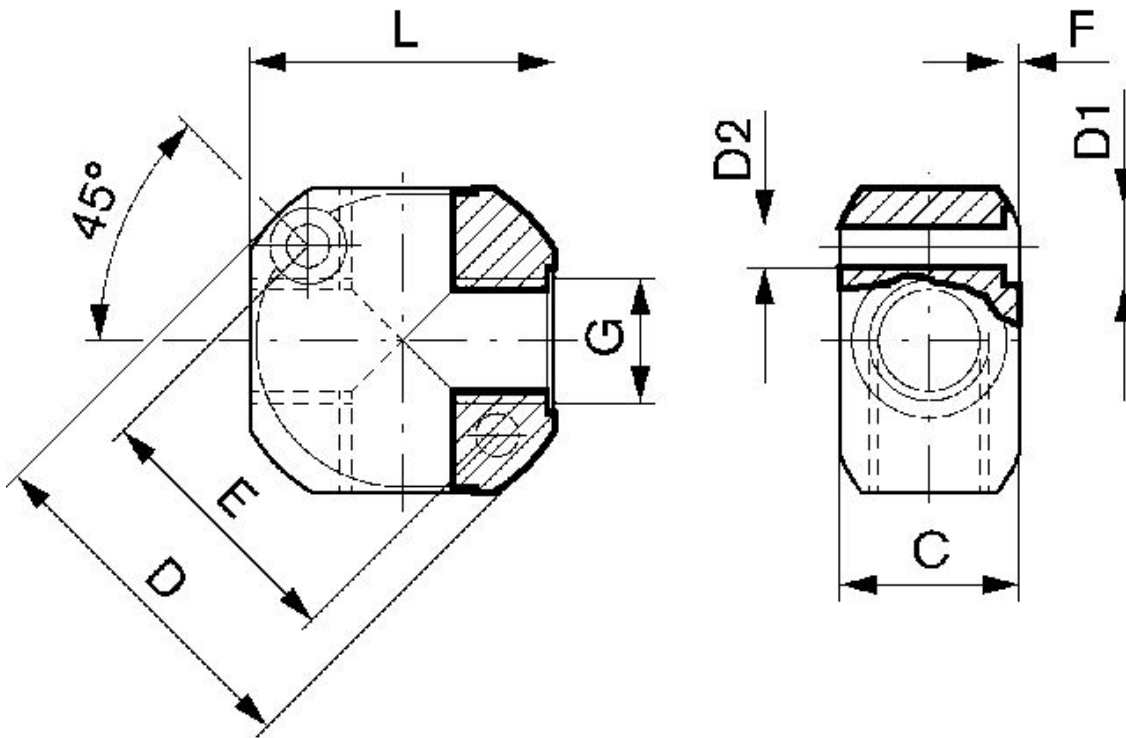
| 物料号 | G | F | H | L1 | L2 | L3 | SW |
|------------|-------|-----|------|------|----|------|----|
| 1823391047 | G 1/8 | 9.5 | 7.8 | 20.2 | 15 | 14 | 14 |
| 1823391048 | G 1/4 | 13 | 10 | 26.8 | 20 | 19.5 | 17 |
| 1823391479 | G 3/8 | 10 | 6.85 | 29.2 | 22 | 23 | 22 |
| 1823391480 | G 1/2 | 12 | 8.85 | 35.7 | 28 | 27.5 | 27 |

十字螺纹接头



| 压缩空气连接 | 供货数量 [件] | 重量 [kg] | 物料号 |
|--------|----------|---------|------------|
| M5 | 2 | 0.008 | 1823390040 |
| G 1/8 | 2 | 0.031 | 1823390041 |
| G 1/4 | 2 | 0.047 | 1823390042 |
| G 3/8 | 1 | 0.078 | 1823390043 |
| G 1/2 | 1 | 0.12 | 1823390044 |

规格



| 物料号 | G | C | D | D1 | D2 | E | F | L |
|------------|-------|----|----|-----|-----|----|-----|----|
| 1823390040 | M5 | 10 | 25 | 7.4 | 4.3 | 17 | 1.5 | 22 |
| 1823390041 | G 1/8 | 18 | 36 | 7.4 | 4.3 | 28 | 1.5 | 30 |

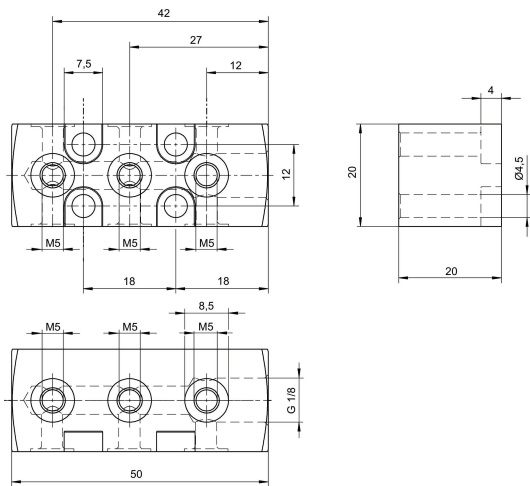
| 物料号 | G | C | D | D1 | D2 | E | F | L |
|------------|-------|----|----|------|-----|----|-----|----|
| 1823390042 | G 1/4 | 21 | 43 | 7.4 | 4.3 | 33 | 1.5 | 36 |
| 1823390043 | G 3/8 | 25 | 50 | 9.4 | 5.3 | 39 | 2 | 40 |
| 1823390044 | G 1/2 | 30 | 60 | 10.4 | 6.4 | 48 | 2.5 | 50 |

多通分气块

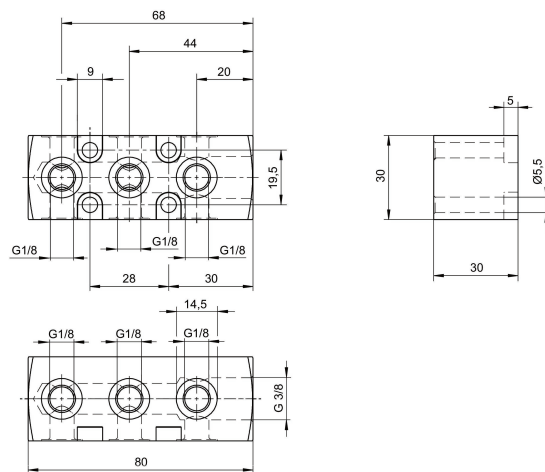


| 压缩空气连接 | 供货数量 [件] | 重量 [kg] | 物料号 |
|--------|-------------|------------|------------|
| G 1/8 | 1 | 0.046 | 1823390045 |
| G 3/8 | 1 | 0.15 | 1823390046 |
| G 1/2 | 1 | 0.265 | 1823390047 |

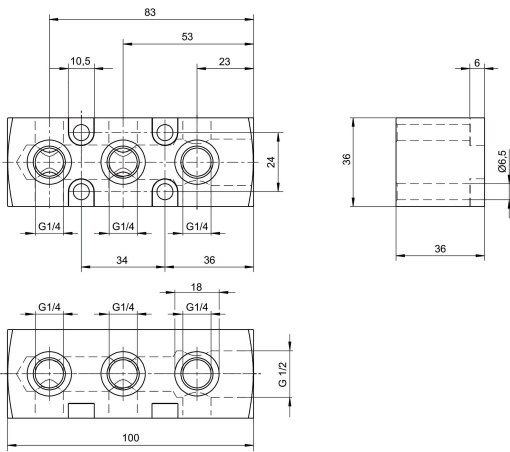
1823390045



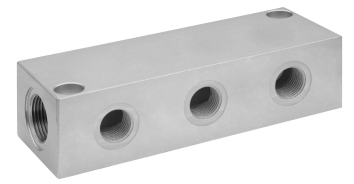
1823390046



1823390047

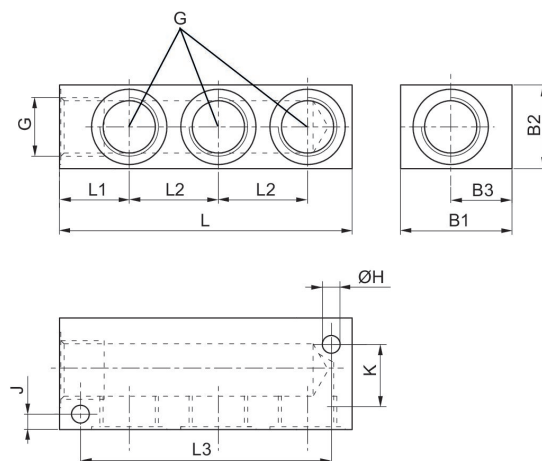


多通分气块



| 压缩空气连接 | | 物料号 |
|--------|-------|------------|
| | G 1/8 | R412010004 |
| | G 1/4 | R412010003 |
| | G 3/8 | R412010005 |
| | G 1/2 | R412010002 |

规格



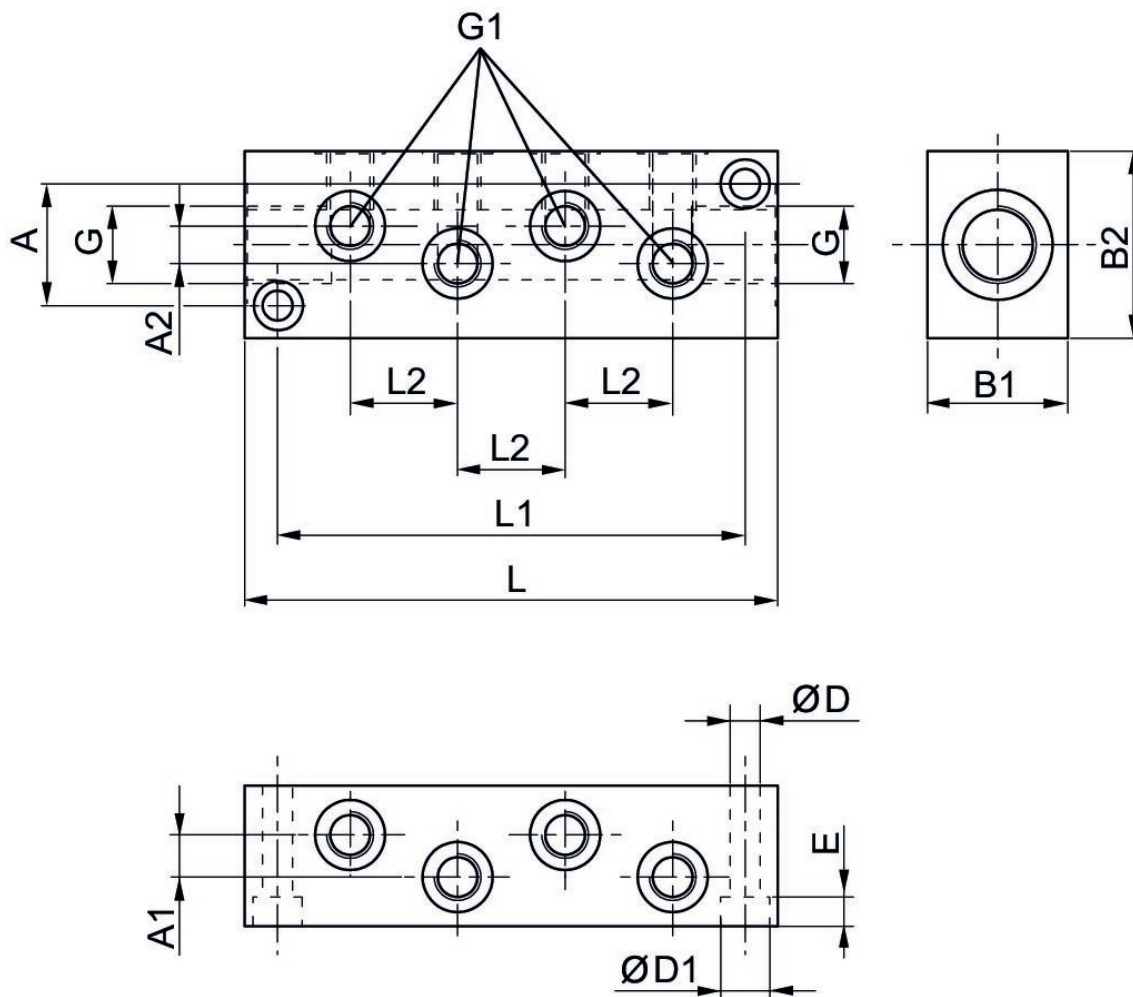
| 物料号 | G | B1 | B2 | B3 | ØH | J | K | L | L1 | L2 |
|------------|------|----|----|----|-----|-----|----|-----|------|----|
| R412010004 | G1/8 | 20 | 20 | 12 | 4.4 | 3.5 | 13 | 56 | 13.5 | 17 |
| R412010003 | G1/4 | 30 | 30 | 17 | 6.4 | 6.5 | 17 | 89 | 20 | 29 |
| R412010005 | G3/8 | 40 | 30 | 19 | 6.4 | 5.5 | 20 | 85 | 20 | 26 |
| R412010002 | G1/2 | 40 | 30 | 22 | 6.4 | 5.5 | 25 | 105 | 25 | 32 |

| 物料号 | L3 |
|------------|----|
| R412010004 | 46 |
| R412010003 | 74 |
| R412010005 | 72 |
| R412010002 | 90 |

多通分气块



| 压缩空气连接 | | 物料号 |
|--------|--|------------|
| G 3/8 | | R412010007 |
| G 3/4 | | R412010006 |



| 物料号 | G | G1 | A | A1 | A2 | B1 | B2 | $\varnothing D$ | $\varnothing D_1$ | E |
|------------|------|------|----|----|----|----|----|-----------------|-------------------|-----|
| R412010007 | G3/8 | G1/8 | 26 | 8 | 8 | 30 | 40 | 6.5 | 10.5 | 6.2 |

| 物料号 | G | G1 | A | A1 | A2 | B1 | B2 | ØD | ØD1 | E |
|------------|------|------|----|----|----|----|----|-----|-----|-----|
| R412010006 | G3/4 | G1/2 | 40 | 6 | 6 | 45 | 60 | 8.5 | 15 | 6.2 |

| 物料号 | L | L1 | L2 |
|------------|-----|-----|----|
| R412010007 | 114 | 100 | 23 |
| R412010006 | 170 | 150 | 36 |

Efficient pneumatic solutions, our program: cylinders and drives, valves and valve systems, air supply management



Visit us: [Emerson.com/Aventics](https://www.emerson.com/Aventics)

Your local contact: [Emerson.com/contactus](https://www.emerson.com/contactus)



[Emerson.com](https://www.emerson.com)



[Facebook.com/EmersonAutomationSolutions](https://www.facebook.com/EmersonAutomationSolutions)



[LinkedIn.com/company/Emerson-Automation-Solutions](https://www.linkedin.com/company/Emerson-Automation-Solutions)



[Twitter.com/EMR_Automation](https://twitter.com/EMR_Automation)

An example configuration is depicted on the title page. The delivered product may thus vary from that in the illustration. Subject to change. This Document, as well as the data, specifications and other information set forth in it, are the exclusive property of AVENTICS GmbH. It may not be reproduced or given to third parties without its consent. Only use the AVENTICS products shown in industrial applications. Read the product documentation completely and carefully before using the product. Observe the applicable regulations and laws of the respective country. When integrating the product into applications, note the system manufacturer's specifications for safe use of the product. The data specified only serve to describe the product. No statements concerning a certain condition or suitability for a certain application can be derived from our information. The information given does not release the user from the obligation of own judgment and verification. It must be remembered that the products are subject to a natural process of wear and aging.

The Emerson logo is a trademark and service mark of Emerson Electric Co. Brand logotype are registered trademarks of one of the Emerson family of companies. All other marks are the property of their respective owners. © 2019 Emerson Electric Co. All rights reserved.



CONSIDER IT SOLVED™