

Distributori e basi di distribuzione AVENTICS



AVENTICS™

**Distributori e basi di
distribuzione AVENTICS**


EMERSON™

Distributore e listelli di distribuzione

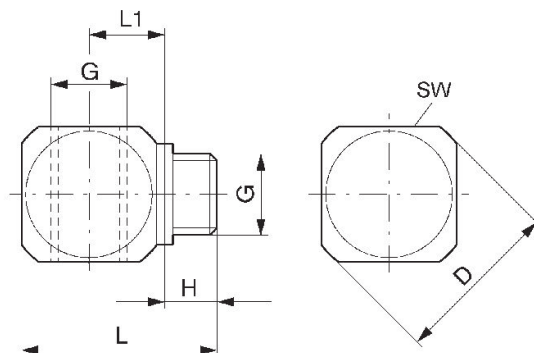


Distributore a T



Raccordo aria compressa	Unità di fornitura [Pezzo]	Peso [kg]	Codice
M5	10	0.006	1823391096
G 1/8	10	0.01	1823391097
G 1/4	10	0.018	1823391098
G 3/8	5	0.032	1823391099
G 1/2	2	0.075	1823391383

Dimensioni



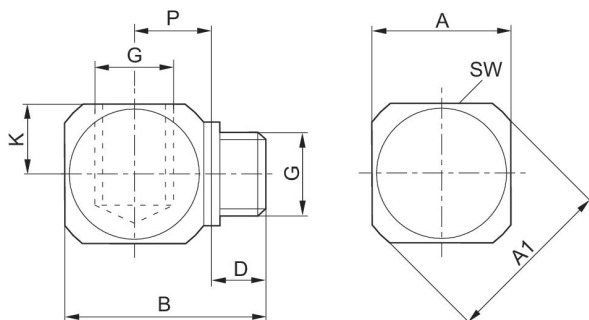
Codice	G	D	H	L	L1	SW
1823391096	M5	12.5	5	15	5.5	10
1823391097	G 1/8	20	7	24	9	15
1823391098	G 1/4	28.5	10	30	11	22
1823391099	G 3/8	35	10	33	12.5	27
1823391383	G 1/2	46	12	41.5	16	36

Distributore a gomito



Raccordo aria compressa	Unità di fornitura [Pezzo]	Peso [kg]	Codice
M5	10	0.007	1823391092
G 1/8	10	0.01	1823391093
G 1/4	10	0.02	1823391094
G 3/8	5	0.034	1823391095
G 1/2	2	0.08	1823391384

Dimensioni



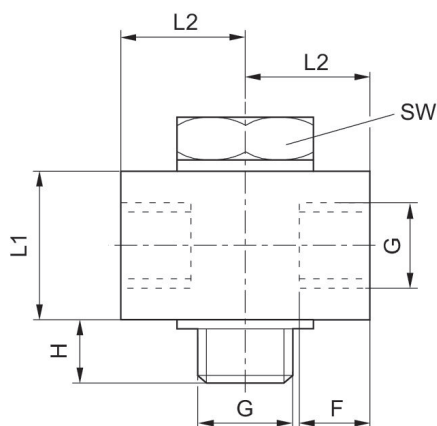
Codice	G	A	A1	B	D	K	P	SW
1823391092	M5	10	12.5	15	5	7	4.5	10
1823391093	G 1/8	15	20	24	7	11	8	15
1823391094	G 1/4	22	28.5	30	10	16	10	22
1823391095	G 3/8	27	35	33	10	21	11.5	27
1823391384	G 1/2	36	46	41.5	12	30	15	36

distributore orientabile a T



Raccordo aria compressa	Unità di fornitura [Pezzo]	Peso [kg]	Codice
G 1/8	5	0.02	1823391049
G 1/4	5	0.025	1823391050
G 3/8	2	0.044	1823391481
G 1/2	2	0.086	1823391482

Dimensioni



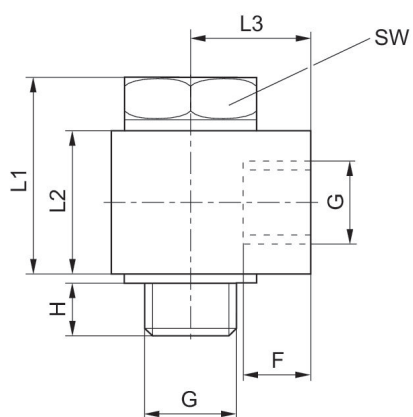
Codice	G	F	H	L1	L2	SW
1823391049	G 1/8	9,5	7,5	15	14	14
1823391050	G 1/4	13	9,7	20	19,5	17
1823391481	G 3/8	15	9,25	23,5	23	22
1823391482	G 1/2	17	11,5	28	27	27

Distributore oscillante a gomito



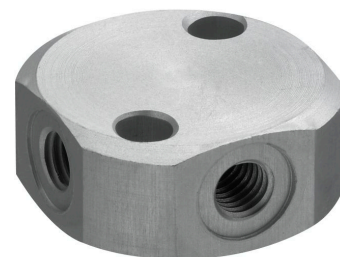
Raccordo aria compressa	Unità di fornitura [Pezzo]	Peso [kg]	Codice
G 1/8	10	0.015	1823391047
G 1/4	5	0.02	1823391048
G 3/8	2	0.04	1823391479
G 1/2	2	0.075	1823391480

Dimensioni



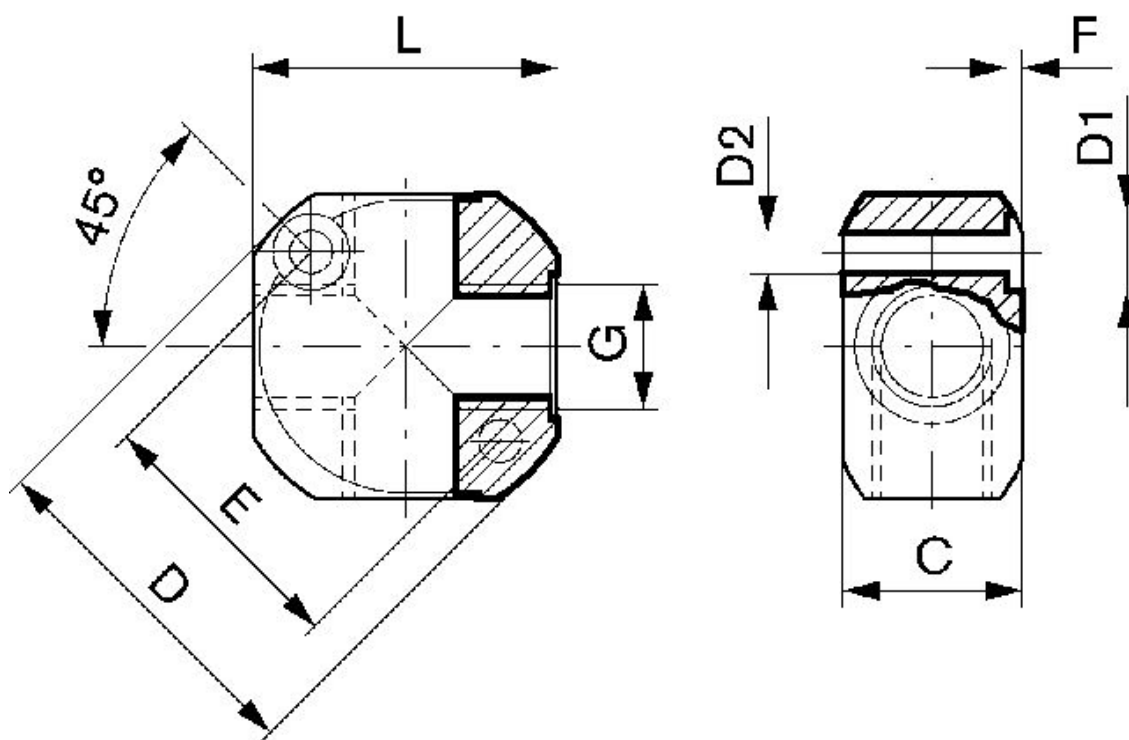
Codice	G	F	H	L1	L2	L3	SW
1823391047	G 1/8	9.5	7.8	20.2	15	14	14
1823391048	G 1/4	13	10	26.8	20	19.5	17
1823391479	G 3/8	10	6.85	29.2	22	23	22
1823391480	G 1/2	12	8.85	35.7	28	27.5	27

Raccordo a croce



Raccordo aria compressa	Unità di fornitura [Pezzo]	Peso [kg]	Codice
M5	2	0.008	1823390040
G 1/8	2	0.031	1823390041
G 1/4	2	0.047	1823390042
G 3/8	1	0.078	1823390043
G 1/2	1	0.12	1823390044

Dimensioni



Codice	G	C	D	D1	D2	E	F	L
1823390040	M5	10	25	7.4	4.3	17	1.5	22
1823390041	G 1/8	18	36	7.4	4.3	28	1.5	30

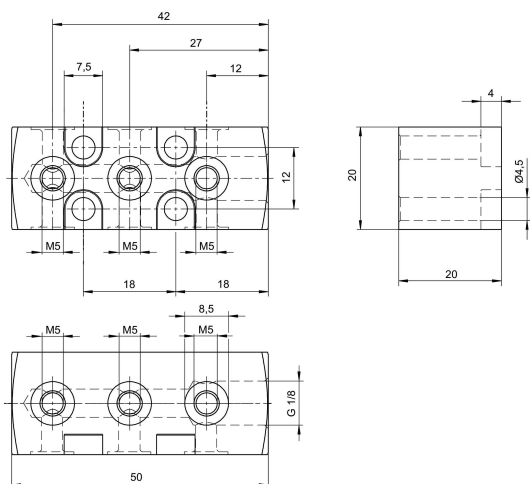
Codice	G	C	D	D1	D2	E	F	L
1823390042	G 1/4	21	43	7.4	4.3	33	1.5	36
1823390043	G 3/8	25	50	9.4	5.3	39	2	40
1823390044	G 1/2	30	60	10.4	6.4	48	2.5	50

Raccordo multiplo

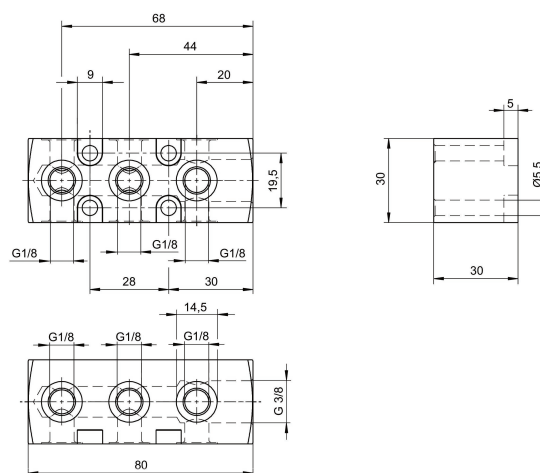


Raccordo aria compressa	Unità di fornitura [Pezzo]	Peso [kg]	Codice
G 1/8	1	0.046	1823390045
G 3/8	1	0.15	1823390046
G 1/2	1	0.265	1823390047

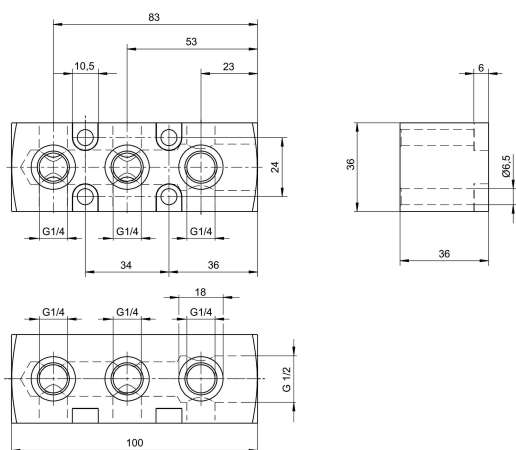
1823390045



1823390046



1823390047

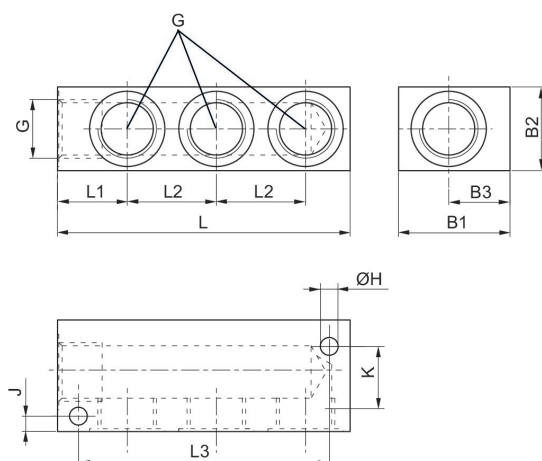


Raccordo multiplo



Raccordo aria compressa	Codice
G 1/8	R412010004
G 1/4	R412010003
G 3/8	R412010005
G 1/2	R412010002

Dimensioni



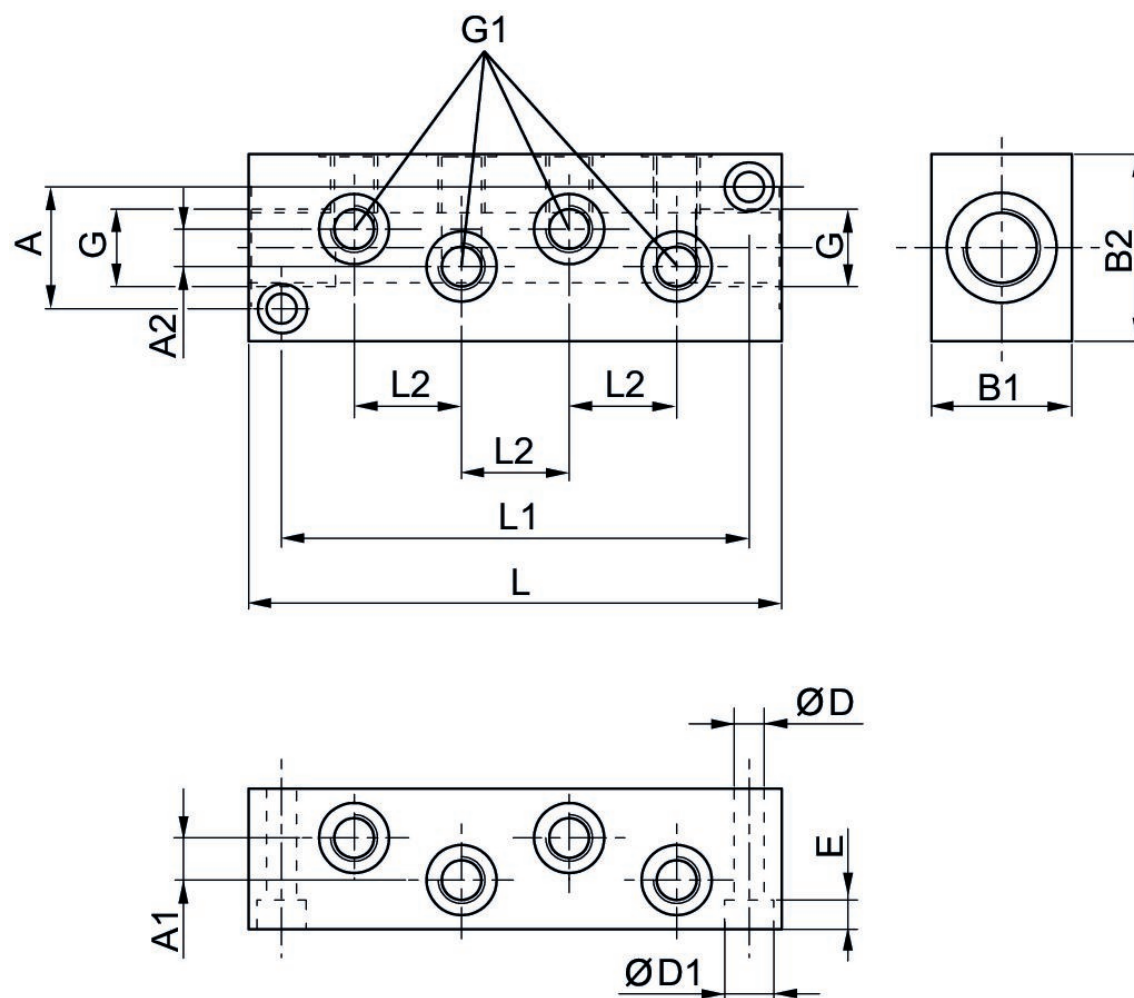
Codice	G	B1	B2	B3	ØH	J	K	L	L1	L2
R412010004	G1/8	20	20	12	4.4	3.5	13	56	13.5	17
R412010003	G1/4	30	30	17	6.4	6.5	17	89	20	29
R412010005	G3/8	40	30	19	6.4	5.5	20	85	20	26
R412010002	G1/2	40	30	22	6.4	5.5	25	105	25	32

Codice	L3
R412010004	46
R412010003	74
R412010005	72
R412010002	90

Raccordo multiplo



Raccordo aria compressa	Codice
G 3/8	R412010007
G 3/4	R412010006



Codice	G	G1	A	A1	A2	B1	B2	ØD	ØD1	E
R412010007	G3/8	G1/8	26	8	8	30	40	6.5	10.5	6.2

Codice	G	G1	A	A1	A2	B1	B2	ØD	ØD1	E
R412010006	G3/4	G1/2	40	6	6	45	60	8.5	15	6.2

Codice	L	L1	L2
R412010007	114	100	23
R412010006	170	150	36

Efficient pneumatic solutions, our program: cylinders and drives, valves and valve systems, air supply management



Visit us: [Emerson.com/Aventics](https://www.emerson.com/aventics)

Your local contact: [Emerson.com/contactus](https://www.emerson.com/contactus)



[Emerson.com](https://www.emerson.com)



[Facebook.com/EmersonAutomationSolutions](https://www.facebook.com/EmersonAutomationSolutions)



[LinkedIn.com/company/Emerson-Automation-Solutions](https://www.linkedin.com/company/Emerson-Automation-Solutions)



[Twitter.com/EMR_Automation](https://twitter.com/EMR_Automation)

An example configuration is depicted on the title page. The delivered product may thus vary from that in the illustration. Subject to change. This Document, as well as the data, specifications and other information set forth in it, are the exclusive property of AVENTICS GmbH. It may not be reproduced or given to third parties without its consent. Only use the AVENTICS products shown in industrial applications. Read the product documentation completely and carefully before using the product. Observe the applicable regulations and laws of the respective country. When integrating the product into applications, note the system manufacturer's specifications for safe use of the product. The data specified only serve to describe the product. No statements concerning a certain condition or suitability for a certain application can be derived from our information. The information given does not release the user from the obligation of own judgment and verification. It must be remembered that the products are subject to a natural process of wear and aging.

The Emerson logo is a trademark and service mark of Emerson Electric Co. Brand logotype are registered trademarks of one of the Emerson family of companies. All other marks are the property of their respective owners. © 2019 Emerson Electric Co. All rights reserved.



CONSIDER IT SOLVED™