

AVENTICS Tube accessories

AVENTICS Tube accessories

Product overview

Accessories overview

	Page
Release tool Ø 4, Ø 6, Ø 8, Ø 10.....	4
Release tool Ø 4, Ø 6, Ø 8, Ø 10, Ø 12, Ø 14.....	5
Terminal strip for compressed air tubing.....	6
T-clips for compressed air tubing.....	8
Tubing clamp for reinforced plastic tubing, DIN 3017 form A.....	10
Tubing clamp for reinforced plastic tubing, DIN 3017, single-zone clamp.....	11
Stiffener sleeve for plastic tubing.....	12
Tubing cutter for compressed air hoses, Ø 4 - 16.....	13
Tubing cutter for compressed air tubing, Ø 4-22.....	14

Release tool $\varnothing 4, \varnothing 6, \varnothing 8, \varnothing 10$

For series: AV03 AV05

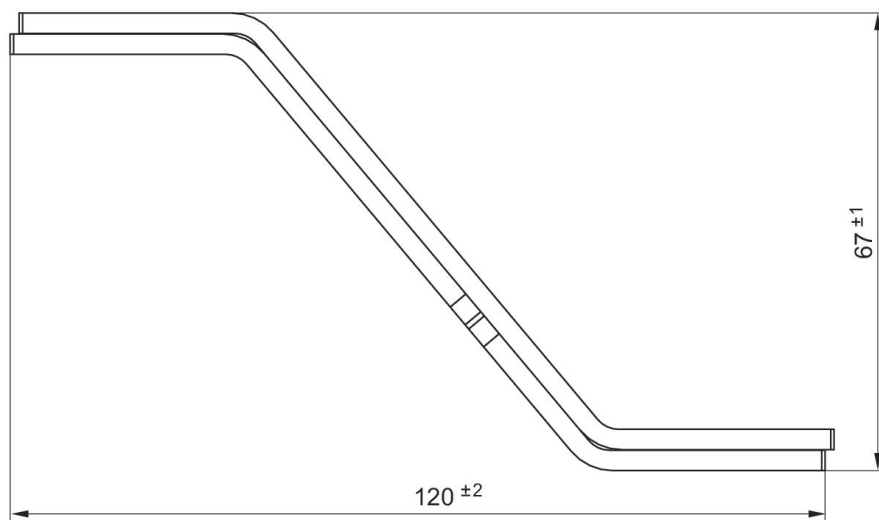
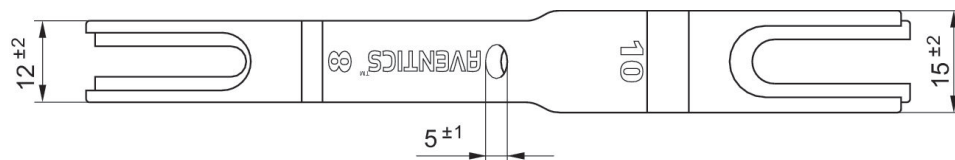
Min. ambient temperature: $-10\text{ }^{\circ}\text{C}$

Max. ambient temperature: $60\text{ }^{\circ}\text{C}$



Type	Part No.
$\varnothing 4, \varnothing 6, \varnothing 8, \varnothing 10$	R422004106

Dimensions



Release tool Ø 4, Ø 6, Ø 8, Ø 10, Ø 12, Ø 14

For series: AV03 AV05

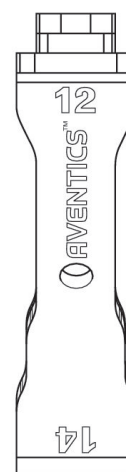
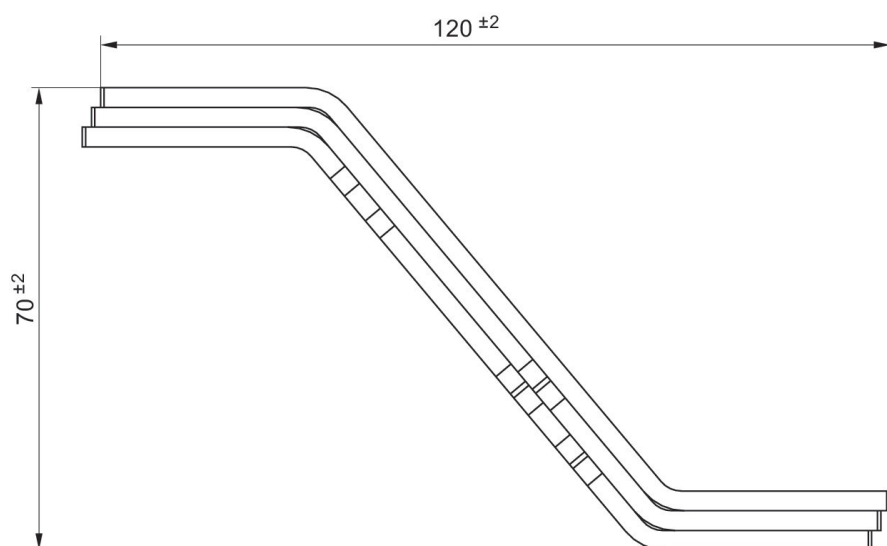
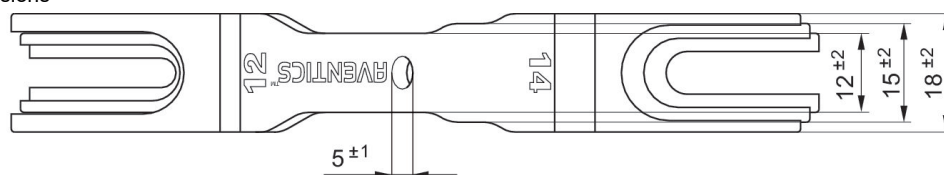
Min. ambient temperature: -10 °C

Max. ambient temperature: 60 °C



Type	Part No.
Ø 4, Ø 6, Ø 8, Ø 10, Ø 12, Ø 14	R422004107

Dimensions

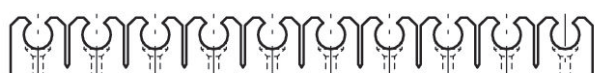
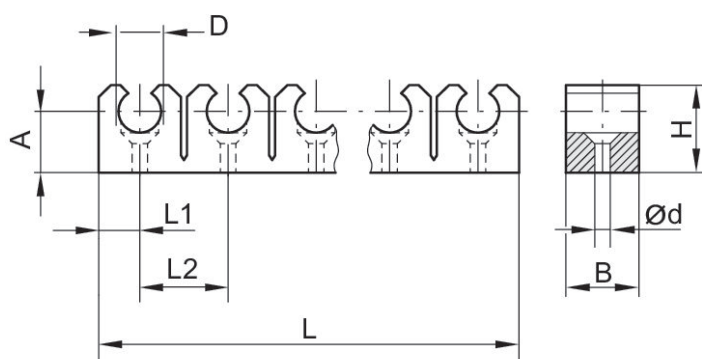


Terminal strip for compressed air tubing

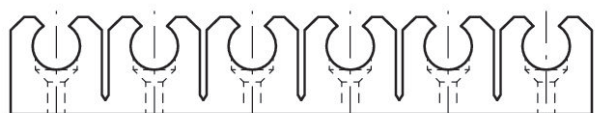


Type	Delivery unit [piece]	Part No.
Ø 4	10	1824431005
Ø 6	10	1824431006
Ø 8	10	1824431007
Ø 10	10	1824431008
Ø 11,5	10	1824431009

Dimensions



D = 4, 5, 6, 8 mm



D = 10, 12 mm

Part No.	A	B	D*)	Ø d	H	L	L1	L2	**)
1824431005	6	14	4-5	2.4	9	100	5	10	10
1824431006	5.5	14	6	3	9	110	5.5	11	10

Part No.	A	B	D*)	Ø d	H	L	L1	L2	**)
1824431007	7.5	15	8	2.8	12.5	141	6.4	14.2	10
1824431008	9	18	10	2.8	14.7	121	9.8	20	6
1824431009	10	18	11.5	2.8	16	121	10	20	6

*) For plastic tubing with diameter D

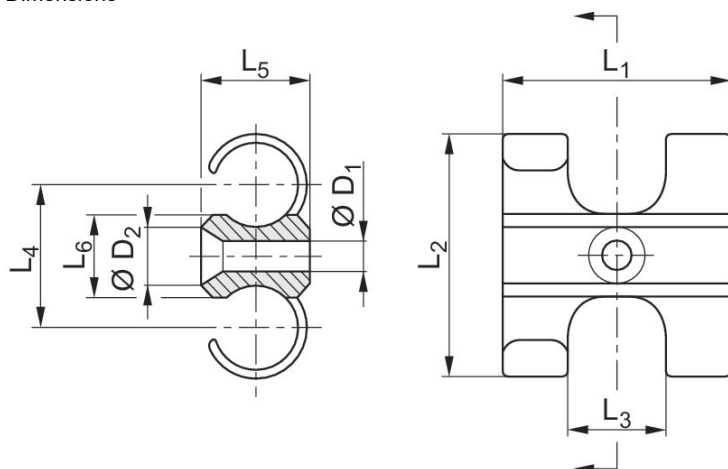
***) Terminals per strip

T-clips for compressed air tubing



Type	Delivery unit [piece]	Part No.
Ø 4-5	50	8186040000
Ø 6-7	50	8186060000
Ø 8-9	50	8186080000
Ø 10-11	25	8186100000
Ø 12-14	25	8186120000
Ø 15-17	25	8186160000
Ø 18-21	25	8186180000

Dimensions



Dimensions in mm

Part No.	*)	Ø D1	Ø D2	L1	L2	L3	L4	L5	L6
8186040000	4-5 x ...	3	6	18	15	6	10	9	7
8186060000	6-7 x ...	3	6	20	20	8	12	9	8
8186080000	8-9 x ...	4	8	24	25	10	15	12	10
8186100000	10-11 x ...	4	8	28	31	12	18	15	11
8186120000	12-14 x ...	4	9	35	34	14	21	17	12
8186160000	15-17 x ...	5	10	42	43	17	25	20	14
8186180000	18-21 x ...	5	12	49	51	20	31	23	16

Part No.	*)	Ø D1	Ø D2	L1	L2	L3	L4	L5	L6
8186220000	22-25 x ...	7	13	63	65	25	39	29	21

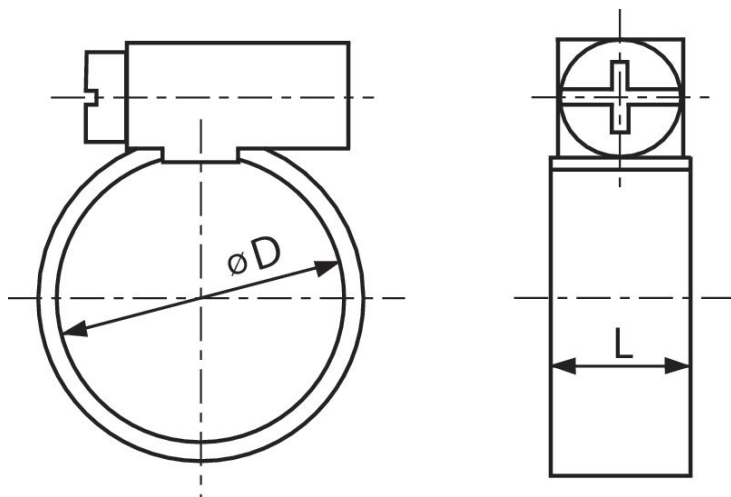
*) For compressed air tubing

Tubing clamp for reinforced plastic tubing, DIN 3017 form A



Type	Clear- ance (LW) [mm]	Delivery unit [piece]	Part No.
Ø 8-12	4	25	1821310002
Ø 10-16	8	25	1821310001
Ø 12-20	13	25	1821310003
Ø 20-32	19	25	1821310000

Dimensions



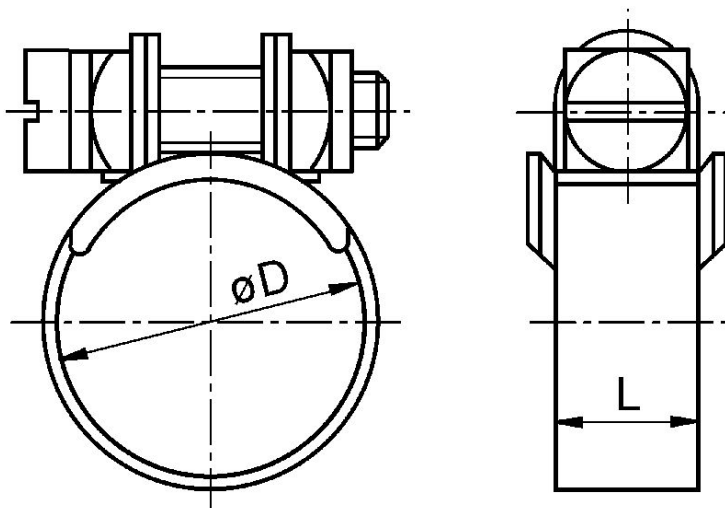
Part No.	ØD	L
1821310002	8-12	9
1821310001	10-16	9
1821310003	12-20	9
1821310000	20-32	9

Tubing clamp for reinforced plastic tubing, DIN 3017, single-zone clamp



Type	Delivery unit [piece]	Part No.
Ø 9	25	8935190002
Ø 13	25	8935190012
Ø 20	25	8935190022

Dimensions



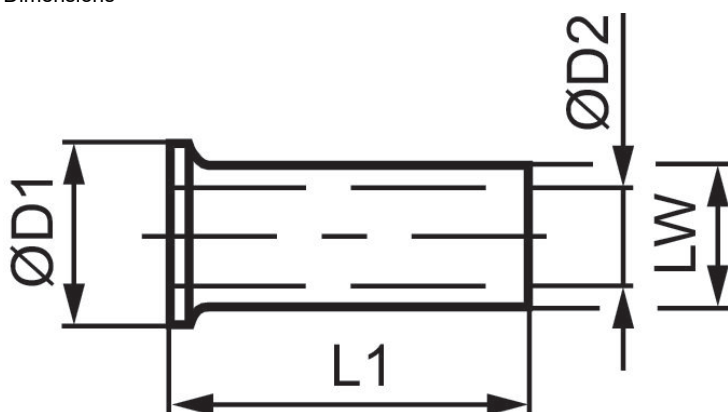
Part No.	ØD	L
8935190002	9	9
8935190012	13	9
8935190022	20	9

Stiffener sleeve for plastic tubing



Type	Clearance (LW) [mm]	Delivery unit [piece]	Part No.
Ø 4	2.5	50	8183040000
Ø 5	3.2	50	8183050000
Ø 6	4	50	8183060000
Ø 8	6	50	8183080000
Ø 12	9	50	8183120000

Dimensions



Dimensions in mm

Part No.	*	LW	Ø D1	Ø D2	L1
8183040000	4x0,75	2,5 mm	3.8	1.9	10
8183050000	5x0,9	3,2 mm	4.8	2.6	10
8183060000	6x1	4 mm	5	3.5	10
8183080000	8x1	6 mm	8	5.5	15
8183120000	12x1,5	9 mm	12	8	15

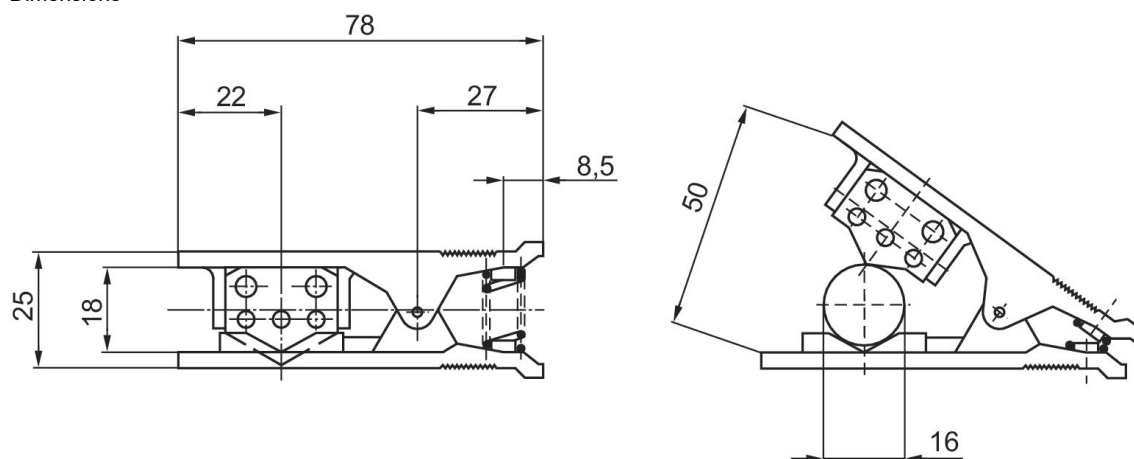
** For plastic tubing dimension, the tubing support is pushed into the end of the plastic tubing before attaching the compression fittings

Tubing cutter for compressed air hoses, Ø 4 - 16

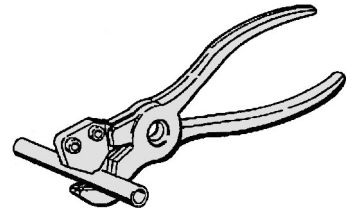


Type	Delivery unit [piece]	Part No.
Spare blade	1	1823391389
Tubing cutter	1	1823391390

Dimensions



Tubing cutter for compressed air tubing, Ø 4-22







Part No.	Ø
8997002402	4-22

*) For compressed air tubing

Efficient pneumatic solutions, our program:
cylinders and drives, valves and valve systems,
air supply management, proportional pressure
control valves



Visit us: www.Emerson.com/aventics
Your local contact: Emerson.com/contactus

-  Emerson.com
-  Facebook.com/EmersonAutomationSolutions
-  LinkedIn.com/company/Emerson-Automation-Solutions
-  Twitter.com/EMR_Automation



The Emerson logo is a trademark and service mark of Emerson Electric Co. AVENTICS is a registered trademark of one of the Emerson family of companies. All other trademarks are the property of their respective owners. © 2020 Emerson Electric Co. All rights reserved.



CONSIDER IT SOLVED™