

PG1



AVENTICS™

Series PG1 Pressure gauges



Series PG1

With the AVENTICS Series PG1 you can visualize and rely on a clear air pressure display for each of your pneumatic circuits. In addition to the parameters for controlling the air quality, supplying sufficient pressure is the basis for operating a reliable system within machine automation. Emerson offers mechanical pressure gauges that can be integrated into machines for diverse applications and air preparation systems. The specifications of the individual versions in the universal PG1 Series provide a selection of options, such as appearance, material, or the required type of mounting.

- Clearly visible pressure indicators in different sizes and versions
- Gauges available with or without adjustable work area display
- Special gauges available like glycerine filled gauges or stainless-steel housing



Product overview

	Page
Bourdon tube pressure gauge	
Pressure gauge, Series PG1-SAS.....	6
Display range 0-1,6 bar Ø 40-63 mm	
Pressure gauge, Series PG1-SAS.....	8
Display range 0-2,5 bar Ø 40-63 mm	
Pressure gauge, Series PG1-SAS.....	10
Display range 0-4 bar Ø 40-63 mm	
Pressure gauge, Series PG1-SAS.....	12
Display range 0-6 bar Ø 40-63 mm	
Pressure gauge, Series PG1-SAS.....	14
Display range 0-10 bar Ø 40-63 mm	
Pressure gauge, Series PG1-SAS.....	16
Display range 0-16 bar Ø 40-63 mm	
Pressure gauge, Series PG1-SAS.....	18
Display range 0-25 bar Ø 50 mm	
Pressure gauge, Series PG1-SAS-ADJ.....	19
Display range 0-1,6 bar Ø 50 mm with adjustable work area display	
Pressure gauge, Series PG1-SAS-ADJ.....	20
Display range 0-10 bar Ø 50 mm with adjustable work area display	
Pressure gauge, Series PG1-SAS-ADJ.....	21
Display range 0-16 bar Ø 50 mm with adjustable work area display	
Pressure gauge, Series PG1-SAS-ADJ.....	22
Display range 0-2,5 bar Ø 50 mm with adjustable work area display	
Pressure gauge, Series PG1-SAS-ADJ.....	23
Display range 0-4 bar Ø 50 mm with adjustable work area display	
Pressure gauge, Series PG1-SAS-ADJ.....	24
Display range 0-6 bar Ø 50 mm with adjustable work area display	
Pressure gauge, Series PG1-SNL.....	25
Display range 0-6 bar Ø 40 mm	
Pressure gauge, Series PG1-SNL.....	26
Vacuum Ø 40-63 mm	
Pressure gauge, Series PG1-SNL.....	28
Display range 0-1,6 bar Ø 50 mm	
Pressure gauge, Series PG1-SNL.....	29
Display range 0-2,5 bar Ø 40 - 50 mm	
Pressure gauge, Series PG1-SNL.....	31
Display range 0-6 bar Ø 40 - 50 mm	
Pressure gauge, Series PG1-SNL.....	33
Display range 0-10 bar Ø 40 - 50 mm	
Pressure gauge, Series PG1-SNL.....	35
Display range 0-16 bar Ø 40-63 mm	
Pressure gauge, Series PG1-SNL.....	37
Vacuum Ø 40 mm For panel installation	
Pressure gauge, Series PG1-SNL.....	39
Display range 0-10 bar Ø 40-63 mm For panel installation	
Pressure gauge, Series PG1-SNL.....	41
Display range 0-16 bar Ø 40-63 mm For panel installation	
Pressure gauge, Series PG1-SNL.....	43
Display range 0-2,5 bar Ø 40-63 mm For panel installation	

Product overview

	Page
Pressure gauge, Series PG1-SNL.....	45
Display range 0-6 bar Ø 40-63 mm For panel installation	
Pressure gauge, Series PG1-SNL.....	47
Display range 0-16 bar Ø 50 mm Mineral glass	
Pressure gauge, Series PG1-SNL-ADJ.....	48
Display range 0-1,6 bar Ø 50 mm with adjustable work area display	
Pressure gauge, Series PG1-SNL-ADJ.....	50
Display range 0-10 bar Ø 50 mm with adjustable work area display	
Pressure gauge, Series PG1-SNL-ADJ.....	52
Display range 0-16 bar Ø 50 mm with adjustable work area display	
Pressure gauge, Series PG1-SNL-ADJ.....	54
Display range 0-2,5 bar Ø 50 mm with adjustable work area display	
Pressure gauge, Series PG1-SNL-ADJ.....	56
Display range 0-3 bar Ø 50 mm with adjustable work area display	
Pressure gauge, Series PG1-SNL-ADJ.....	57
Display range 0-4 bar Ø 50 mm with adjustable work area display	
Pressure gauge, Series PG1-SNL-ADJ.....	59
Display range 0-6 bar Ø 50 mm with adjustable work area display	
Pressure gauge, Series PG1-STD.....	61
Display range 0-10 bar Ø 26-40 mm corrosion-protected	
Pressure gauge, Series PG1-STD.....	63
Display range 0-12 bar Ø 26-63 mm corrosion-protected	
Pressure gauge, Series PG1-STD.....	65
Display range 0-4 bar Ø 26-63 mm corrosion-protected	
Pressure gauge, Series PG1-STD.....	67
Display range 0-2,5 bar Ø 40 mm corrosion-protected	
Pressure gauge, Series PG1-STD.....	69
Display range 0-16 bar Ø 40 - 50 mm corrosion-protected	
Pressure gauge, Series PG1-STD.....	71
Display range 0-1,6 bar Ø 40 - 50 mm corrosion-protected	
Pressure gauge, Series PG1-STD.....	73
Display range 0-6 bar Ø 40 - 50 mm corrosion-protected	
Pressure gauge, Series PG1-PAN-ADJ.....	75
Display range 0-1 bar Ø 40 mm with adjustable work area display	
Pressure gauge, Series PG1-PAN-ADJ.....	76
Display range 0-10 bar Ø 40 mm with adjustable work area display	
Pressure gauge, Series PG1-PAN-ADJ.....	77
Display range 0-16 bar Ø 40 mm with adjustable work area display	
Pressure gauge, Series PG1-PAN-ADJ.....	78
Display range 0-2,5 bar Ø 40 mm with adjustable work area display	
Pressure gauge, Series PG1-PAN-ADJ.....	79
Display range 0-6 bar Ø 40 mm with adjustable work area display	
Pressure gauge, Series PG1-PAN-ADJ.....	80
Display range 0-10 bar Ø 50-63 mm with adjustable work area display	
Pressure gauge, Series PG1-PAN-ADJ.....	81
Display range 0-16 bar Ø 50-63 mm with adjustable work area display	
Pressure gauge, Series PG1-PAN-ADJ.....	82
Display range 0-2,5 bar Ø 50-63 mm with adjustable work area display	

Product overview

	Page
Pressure gauge, Series PG1-PAN-ADJ.....	83
Display range 0-6 bar Ø 50-63 mm with adjustable work area display	
Pressure gauge, Series PG1-SFB.....	84
Display range 0-200 psi Ø 40 mm Compressed air connection 1/8-27 NPTF	
Pressure gauge, Series PG1-SFB.....	86
Display range 0-12 bar Ø 50 mm Stainless steel housing	
Pressure gauge, Series PG1-SFB.....	87
Display range 0-12 bar Ø 50 mm Stainless steel housing	
Pressure gauge, Series PG1-DIM.....	88
Display range 0-0,5 bar Suitable for ATEX for differential pressure measurement for prefilters and microfilters	
Pressure gauge, Series PG1-INT.....	90
Display range 0-6 bar flange version For panel installation	
Pressure gauge, Series PG1-INT.....	92
Display range 0-12 bar flange version For panel installation	
Pressure gauge, Series PG1-LIG.....	93
with light corrosion-protected tropicalized	
Pressure gauge, Series PG1-GLY.....	95
Display range 0-4 bar Ø 63 mm with glycerin filling	
Pressure gauge, Series PG1-GLY.....	97
Display range 0-6 bar Ø 63 mm with glycerin filling	
Pressure gauge, Series PG1-GLY.....	99
Display range 0-10 bar Ø 63 mm with glycerin filling	
Pressure gauge, Series PG1-GLY.....	101
Display range 0-16 bar Ø 63 mm with glycerin filling	
Pressure gauge, Series PG1-ROB.....	103
Display range 0-1 MPa Ø 15 mm	
Pressure gauge.....	104
Display range 0-10 bar Ø 28 mm	
Pressure gauge.....	106
Display range 0-4 bar Ø 28 mm	
Pressure gauge, Series PG1-ROU.....	108
Display range 0-12 bar Ø 50 mm	
Diaphragm pressure gauge	
Pressure gauge, Series PG1-INT.....	109
Display range 0-6 bar flange version For panel installation	
Pressure gauge, Series PG1-INT.....	111
Display range 0-12 bar flange version For panel installation	
Accessories PG1	
Series NU2.....	112
Straight female stud fitting	
Retaining ring, Series PG1-GLY.....	113
Sealing ring.....	114
Copper	
Sealing ring.....	115
Copper	
Sealing ring.....	116
Aluminum	

Pressure gauge, Series PG1-SAS

Type: Bourdon tube pressure gauge, Back port
 Background color: Black
 Scale color: White
 Material viewing window: Polystyrene
 Main scale unit (outside): bar
 Secondary scale unit (inside): psi
 Standardization: EN 837-1

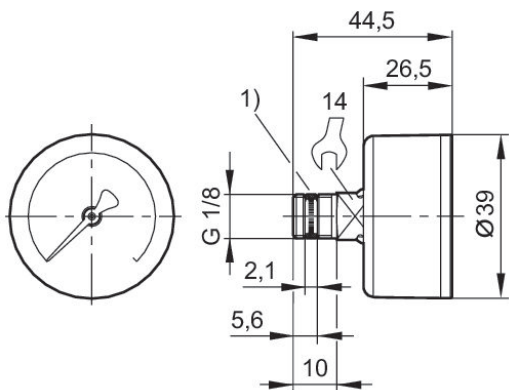


Nominal diameter [mm]	Port	Min. main scale range of application [bar]	Max. main scale range of application [bar]	Min. main scale display range [bar]	Max. main scale display range [bar]	Min. working pressure [bar]	Max. working pressure [bar]	Part No.
40	G 1/8	0	1.2	0	1.6	0	1.6	R412003853
40	G 1/4	0	1.2	0	1.6	0	1.6	R412004407
50	G 1/4	0	1.2	0	1.6	0	1.6	R412004413
63	G 1/4	0	1.2	0	1.6	0	1.6	R412004419

Scale value	Part No.
0.05	R412003853
0.05	R412004407
0.05	R412004413
0.05	R412004419

R412003853

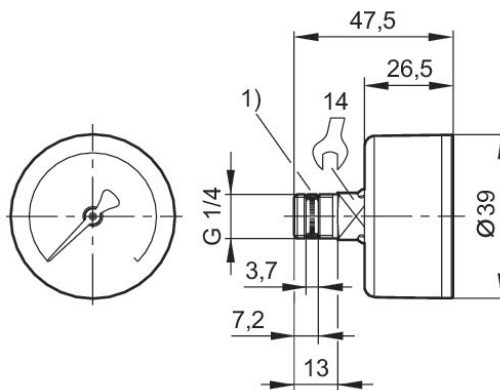
Dimensions in mm



1) Gasket thread

R412004407

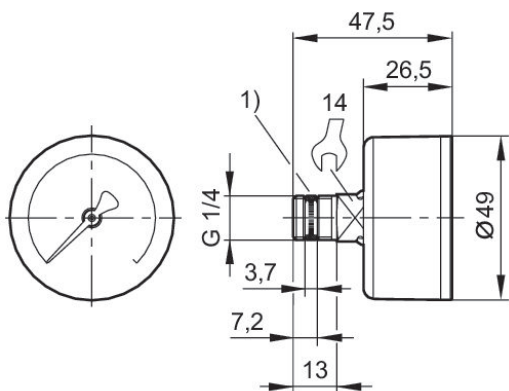
Dimensions in mm



1) Gasket thread

R412004413

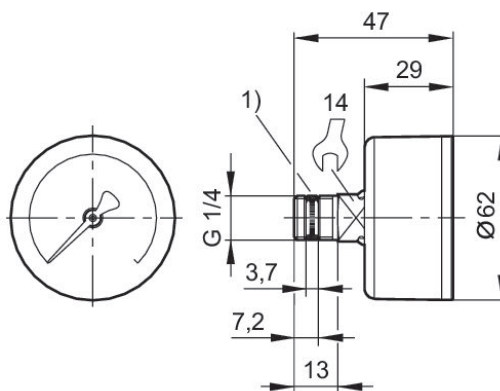
Dimensions in mm



1) Gasket thread

R412004419

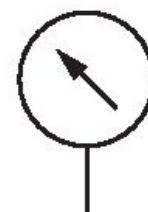
Dimensions in mm



1) Gasket thread

Pressure gauge, Series PG1-SAS

Type: Bourdon tube pressure gauge, Back port
 Background color: Black
 Scale color: White
 Material viewing window: Polystyrene
 Main scale unit (outside): bar
 Secondary scale unit (inside): psi
 Standardization: EN 837-1

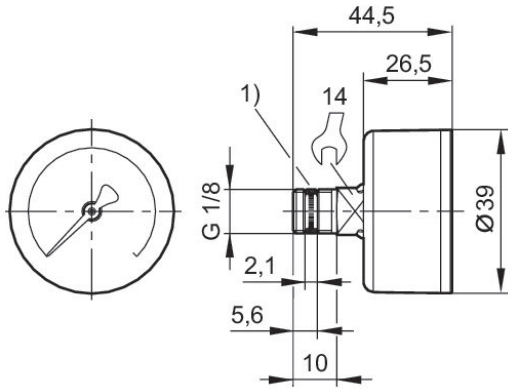


Nominal diameter [mm]	Port	Min. main scale range of application [bar]	Max. main scale range of application [bar]	Min. main scale display range [bar]	Max. main scale display range [bar]	Min. working pressure [bar]	Max. working pressure [bar]	Part No.
40	G 1/8	0	2	0	2.5	0	2.5	R412003854
40	G 1/4	0	2	0	2.5	0	2.5	R412004408
50	G 1/4	0	2	0	2.5	0	2.5	R412004414
63	G 1/4	0	2	0	2.5	0	2.5	R412004420

Scale value	Part No.
0.1	R412003854
0.1	R412004408
0.1	R412004414
0.1	R412004420

R412003854

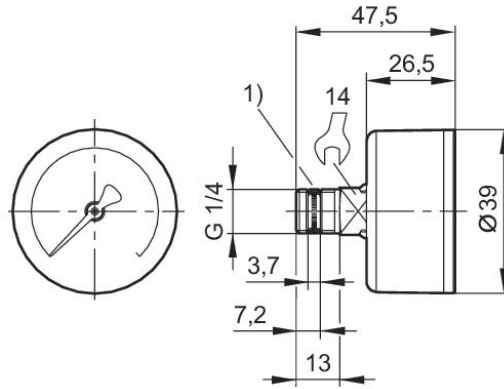
Dimensions in mm



1) Gasket thread

R412004408

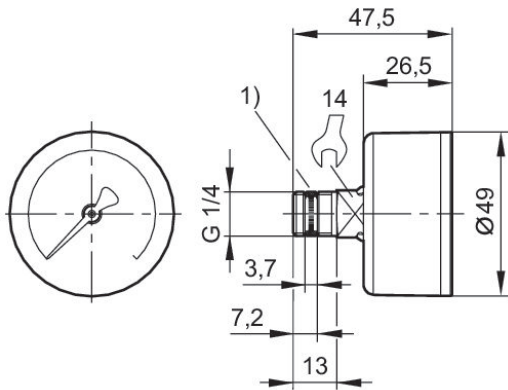
Dimensions in mm



1) Gasket thread

R412004414

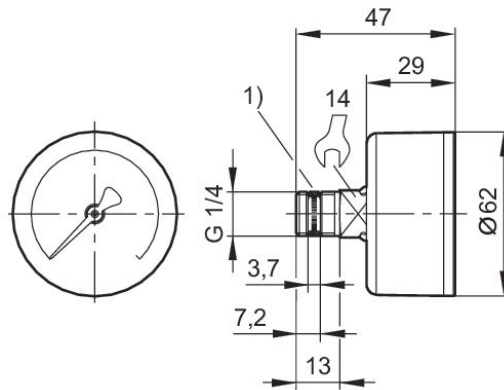
Dimensions in mm



1) Gasket thread

R412004420

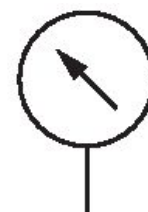
Dimensions in mm



1) Gasket thread

Pressure gauge, Series PG1-SAS

Type: Bourdon tube pressure gauge, Back port
 Background color: Black
 Scale color: White
 Material viewing window: Polystyrene
 Main scale unit (outside): bar
 Secondary scale unit (inside): psi
 Standardization: EN 837-1

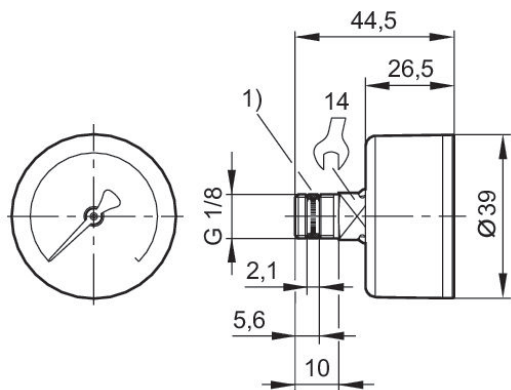


Nominal diameter [mm]	Port	Min. main scale range of application [bar]	Max. main scale range of application [bar]	Min. main scale display range [bar]	Max. main scale display range [bar]	Min. working pressure [bar]	Max. working pressure [bar]	Part No.
40	G 1/8	0	3.2	0	4	0	4	R412003855
40	G 1/4	0	3.2	0	4	0	4	R412004409
50	G 1/4	0	3.2	0	4	0	4	R412004415
63	G 1/4	0	3.2	0	4	0	4	R412004421

Scale value	Part No.
0.1	R412003855
0.1	R412004409
0.1	R412004415
0.1	R412004421

R412003855

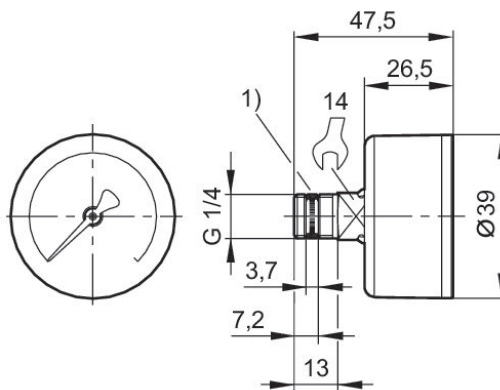
Dimensions in mm



1) Gasket thread

R412004409

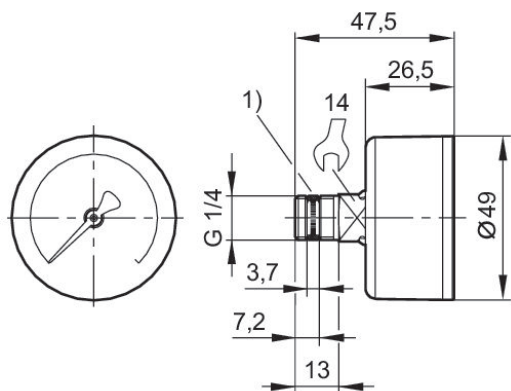
Dimensions in mm



1) Gasket thread

R412004415

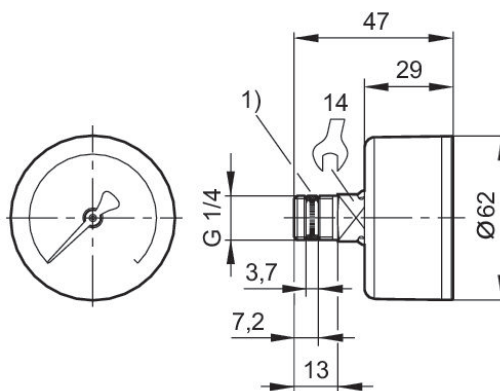
Dimensions in mm



1) Gasket thread

R412004421

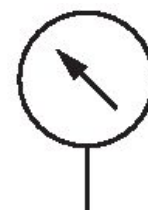
Dimensions in mm



1) Gasket thread

Pressure gauge, Series PG1-SAS

Type: Bourdon tube pressure gauge, Back port
 Background color: Black
 Scale color: White
 Material viewing window: Polystyrene
 Main scale unit (outside): bar
 Secondary scale unit (inside): psi
 Standardization: EN 837-1

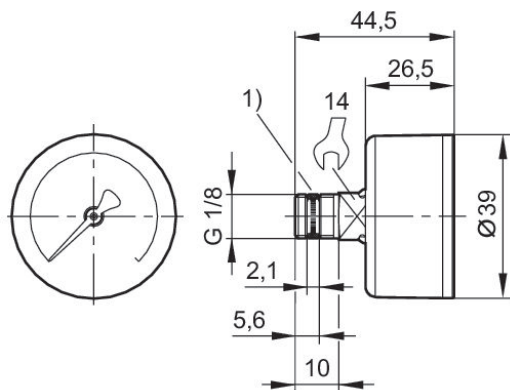


Nominal diameter [mm]	Port	Min. main scale range of application [bar]	Max. main scale range of application [bar]	Min. main scale display range [bar]	Max. main scale display range [bar]	Min. working pressure [bar]	Max. working pressure [bar]	Part No.
40	G 1/8	0	4	0	6	0	6	R412003856
40	G 1/4	0	4	0	6	0	6	R412004410
50	G 1/4	0	4	0	6	0	6	R412004416
63	G 1/4	0	4	0	6	0	6	R412004422

Scale value	Part No.
0.2	R412003856
0.2	R412004410
0.2	R412004416
0.2	R412004422

R412003856

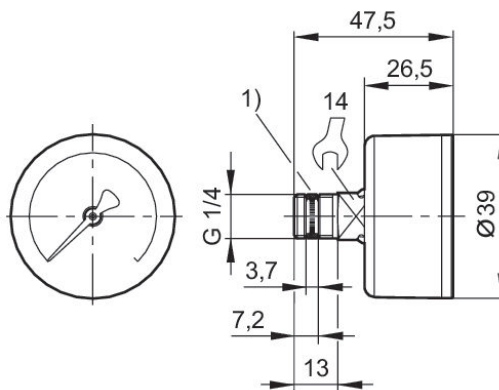
Dimensions in mm



1) Gasket thread

R412004410

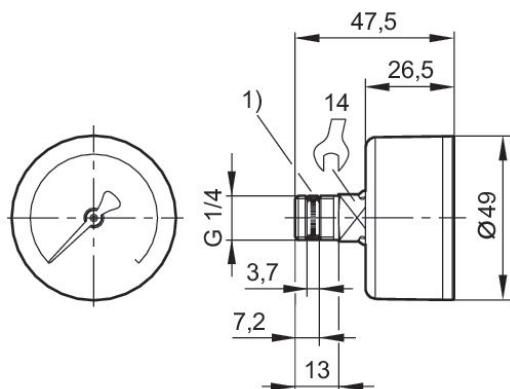
Dimensions in mm



1) Gasket thread

R412004416

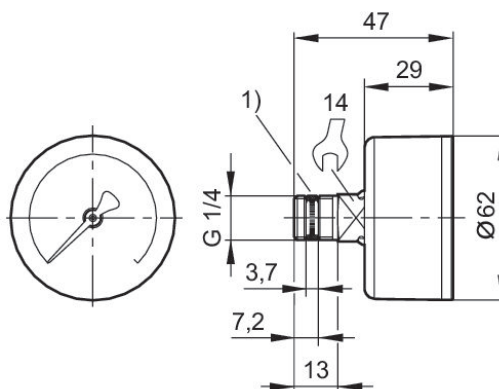
Dimensions in mm



1) Gasket thread

R412004422

Dimensions in mm



1) Gasket thread

Pressure gauge, Series PG1-SAS

Type: Bourdon tube pressure gauge, Back port

Background color: Black

Scale color: White

Material viewing window: Polystyrene

Main scale unit (outside): bar

Secondary scale unit (inside): psi

Standardization: EN 837-1

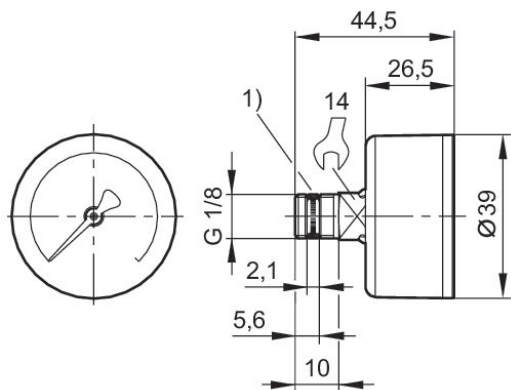


Nominal diameter [mm]	Port	Min. main scale range of application [bar]	Max. main scale range of application [bar]	Min. main scale display range [bar]	Max. main scale display range [bar]	Min. working pressure [bar]	Max. working pressure [bar]	Part No.
40	G 1/8	0	8	0	10	0	10	R412003857
40	G 1/4	0	8	0	10	0	10	R412004411
50	G 1/4	0	8	0	10	0	10	R412004417
63	G 1/4	0	8	0	10	0	10	R412004423

Scale value	Certification	Part No.
0.2		R412003857
0.2		R412004411
0.2	Suitable for ATEX	R412004417
0.2		R412004423

R412003857

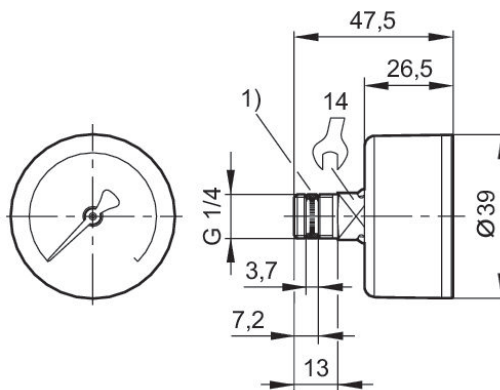
Dimensions in mm



1) Gasket thread

R412004411

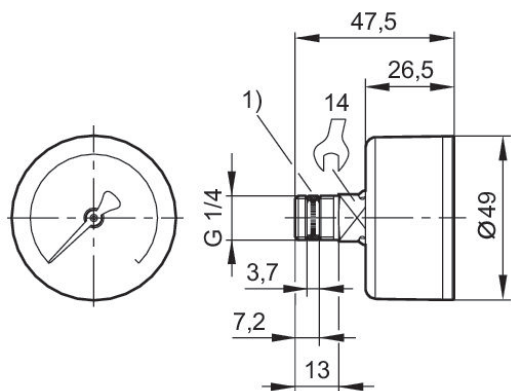
Dimensions in mm



1) Gasket thread

R412004417

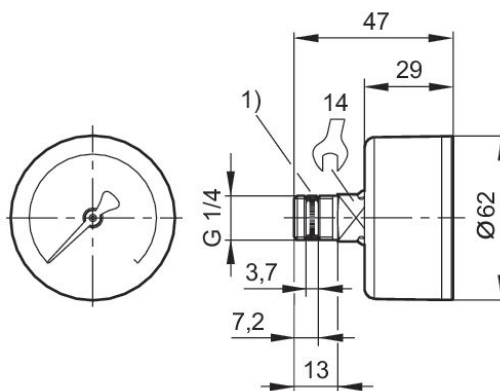
Dimensions in mm



1) Gasket thread

R412004423

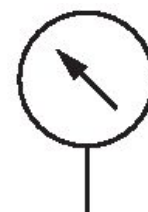
Dimensions in mm



1) Gasket thread

Pressure gauge, Series PG1-SAS

Type: Bourdon tube pressure gauge, Back port
 Background color: Black
 Scale color: White
 Material viewing window: Polystyrene
 Main scale unit (outside): bar
 Secondary scale unit (inside): psi
 Standardization: EN 837-1

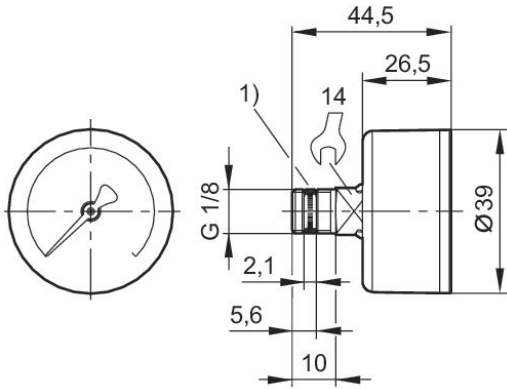


Nominal diameter [mm]	Port	Min. main scale range of application [bar]	Max. main scale range of application [bar]	Min. main scale display range [bar]	Max. main scale display range [bar]	Min. working pressure [bar]	Max. working pressure [bar]	Part No.
40	G 1/8	0	12	0	16	0	16	R412003858
40	G 1/4	0	12	0	16	0	16	R412004412
50	G 1/4	0	12	0	16	0	16	R412004418
63	G 1/4	0	12	0	16	0	16	R412004424

Scale value	Certification	Part No.
0.5		R412003858
0.5		R412004412
0.5	Suitable for ATEX	R412004418
0.5		R412004424

R412003858

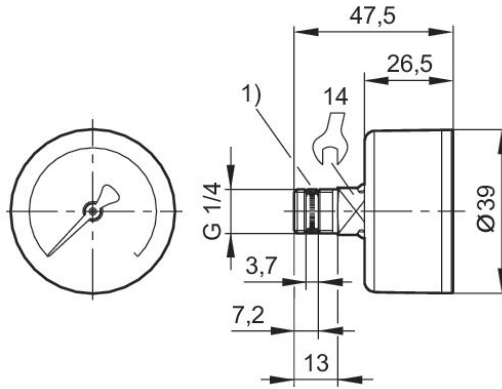
Dimensions in mm



1) Gasket thread

R412004412

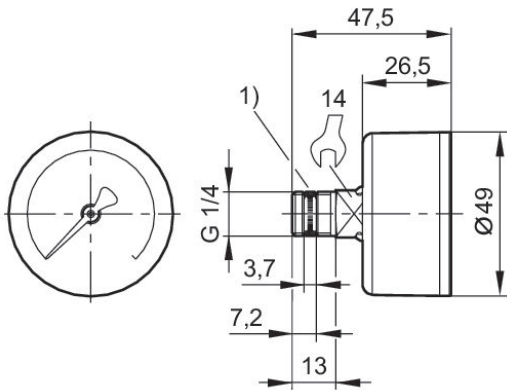
Dimensions in mm



1) Gasket thread

R412004418

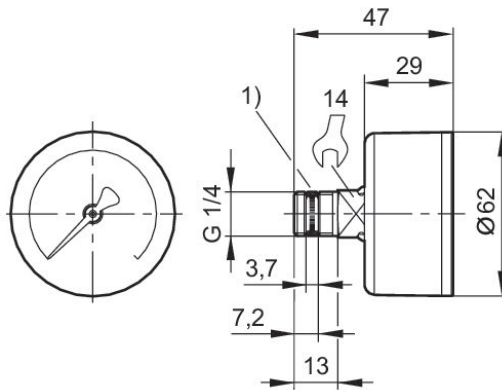
Dimensions in mm



1) Gasket thread

R412004424

Dimensions in mm



1) Gasket thread

Pressure gauge, Series PG1-SAS

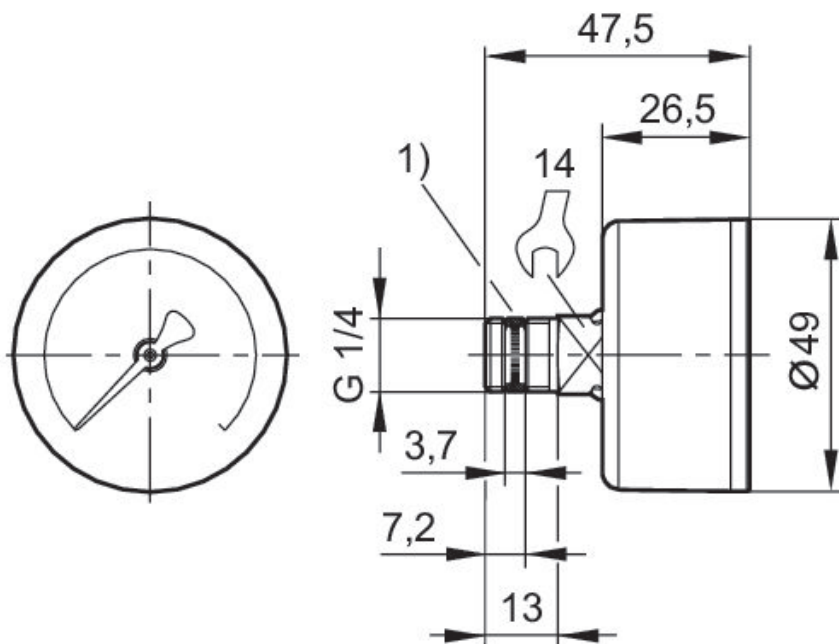
Type: Bourdon tube pressure gauge, Back port
 Background color: Black
 Scale color: White
 Material viewing window: Polystyrene
 Main scale unit (outside): bar
 Secondary scale unit (inside): psi
 Standardization: EN 837-1



Nominal diameter [mm]	Port	Min. main scale range of application [bar]	Max. main scale range of application [bar]	Min. main scale display range [bar]	Max. main scale display range [bar]	Min. working pressure [bar]	Max. working pressure [bar]	Part No.
50	G 1/4	0	20	0	25	0	25	R412007898

Scale value	Part No.
1	R412007898

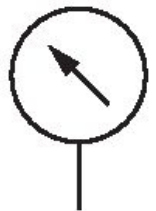
Dimensions in mm



1) Gasket thread

Pressure gauge, Series PG1-SAS-ADJ

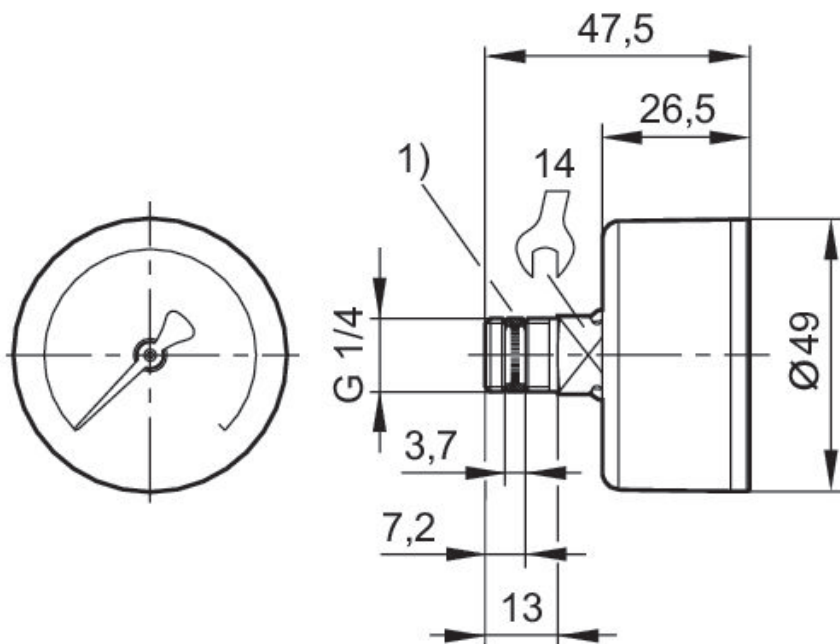
Type: with adjustable work area display, Back port
 Background color: Black
 Scale color: White
 Material viewing window: Polystyrene
 Main scale unit (outside): bar
 Secondary scale unit (inside): psi
 Standardization: EN 837-1



Nominal diameter [mm]	Port	Min. main scale range of application [bar]	Max. main scale range of application [bar]	Min. main scale display range [bar]	Max. main scale display range [bar]	Min. working pressure [bar]	Max. working pressure [bar]	Part No.
50	G 1/4	0	1.2	0	1.6	0	1.6	R412007867

Scale value	Part No.
0.05	R412007867

Dimensions in mm



1) Gasket thread

Pressure gauge, Series PG1-SAS-ADJ

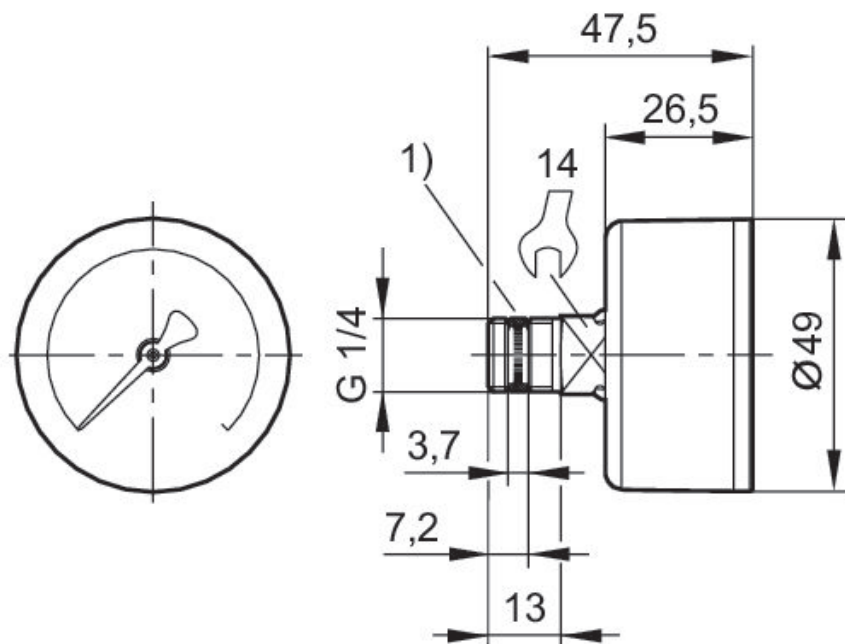
Type: with adjustable work area display, Back port
 Background color: Black
 Scale color: White
 Material viewing window: Polystyrene
 Main scale unit (outside): bar
 Secondary scale unit (inside): psi
 Standardization: EN 837-1



Nominal diameter [mm]	Port	Min. main scale range of application [bar]	Max. main scale range of application [bar]	Min. main scale display range [bar]	Max. main scale display range [bar]	Min. working pressure [bar]	Max. working pressure [bar]	Part No.
50	G 1/4	0	8	0	10	0	10	R412007871

Scale value	Part No.
0.2	R412007871

Dimensions in mm



1) Gasket thread

Pressure gauge, Series PG1-SAS-ADJ

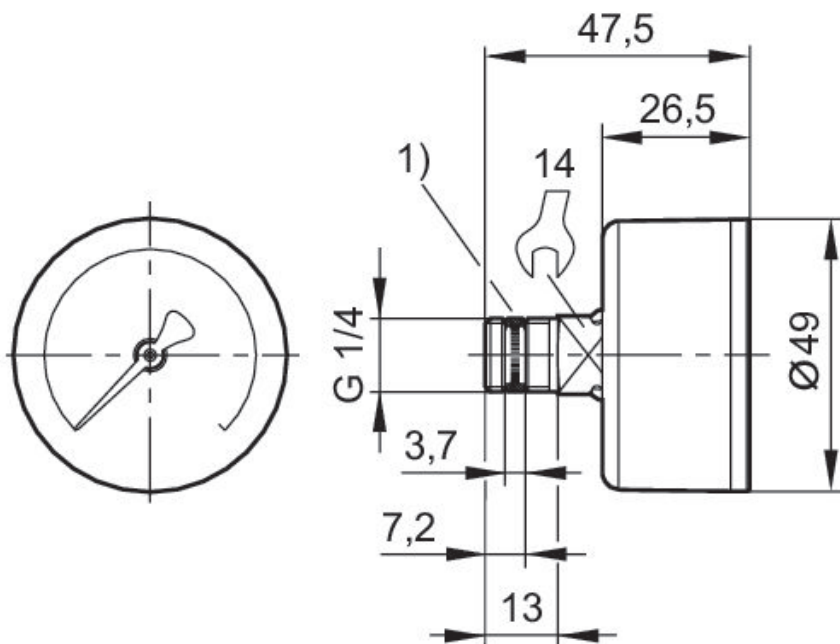
Type: with adjustable work area display, Back port
 Background color: Black
 Scale color: White
 Material viewing window: Polystyrene
 Main scale unit (outside): bar
 Secondary scale unit (inside): psi
 Standardization: EN 837-1



Nominal diameter [mm]	Port	Min. main scale range of application [bar]	Max. main scale range of application [bar]	Min. main scale display range [bar]	Max. main scale display range [bar]	Min. working pressure [bar]	Max. working pressure [bar]	Part No.
50	G 1/4	0	12	0	16	0	16	R412007872

Scale value	Part No.
0.5	R412007872

Dimensions in mm



1) Gasket thread

Pressure gauge, Series PG1-SAS-ADJ

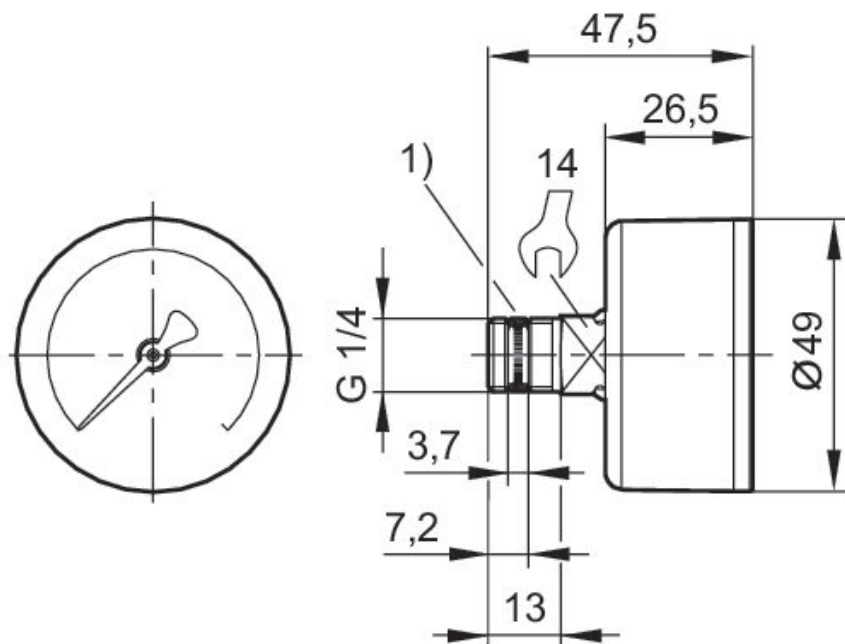
Type: with adjustable work area display, Back port
 Background color: Black
 Scale color: White
 Material viewing window: Polystyrene
 Main scale unit (outside): bar
 Secondary scale unit (inside): psi
 Standardization: EN 837-1



Nominal diameter [mm]	Port	Min. main scale range of application [bar]	Max. main scale range of application [bar]	Min. main scale display range [bar]	Max. main scale display range [bar]	Min. working pressure [bar]	Max. working pressure [bar]	Part No.
50	G 1/4	0	2	0	2.5	0	2.5	R412007868

Scale value	Part No.
0.1	R412007868

Dimensions in mm



1) Gasket thread

Pressure gauge, Series PG1-SAS-ADJ

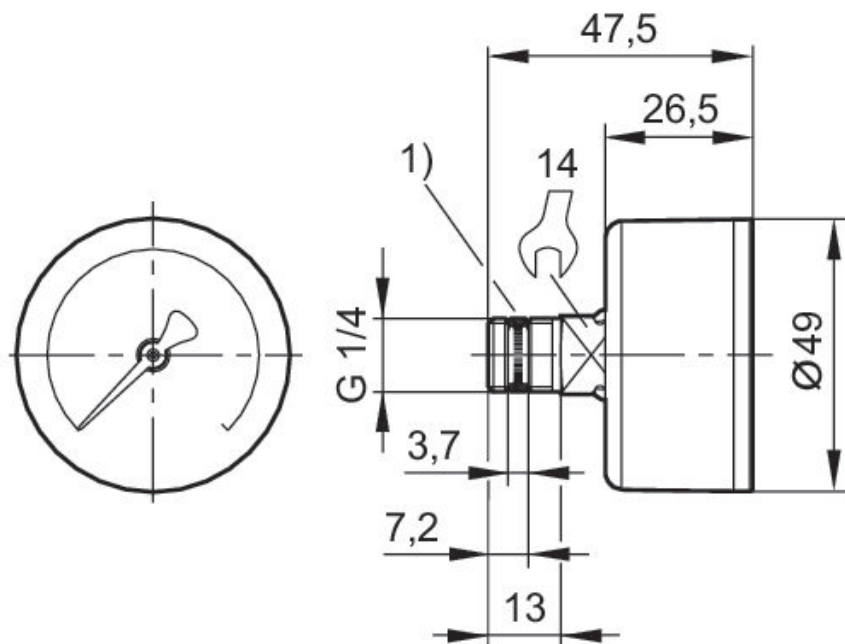
Type: with adjustable work area display, Back port
 Background color: Black
 Scale color: White
 Material viewing window: Polystyrene
 Main scale unit (outside): bar
 Secondary scale unit (inside): psi
 Standardization: EN 837-1



Nominal diameter [mm]	Port	Min. main scale range of application [bar]	Max. main scale range of application [bar]	Min. main scale display range [bar]	Max. main scale display range [bar]	Min. working pressure [bar]	Max. working pressure [bar]	Part No.
50	G 1/4	0	3.2	0	4	0	4	R412007869

Scale value	Part No.
0.1	R412007869

Dimensions in mm



1) Gasket thread

Pressure gauge, Series PG1-SAS-ADJ

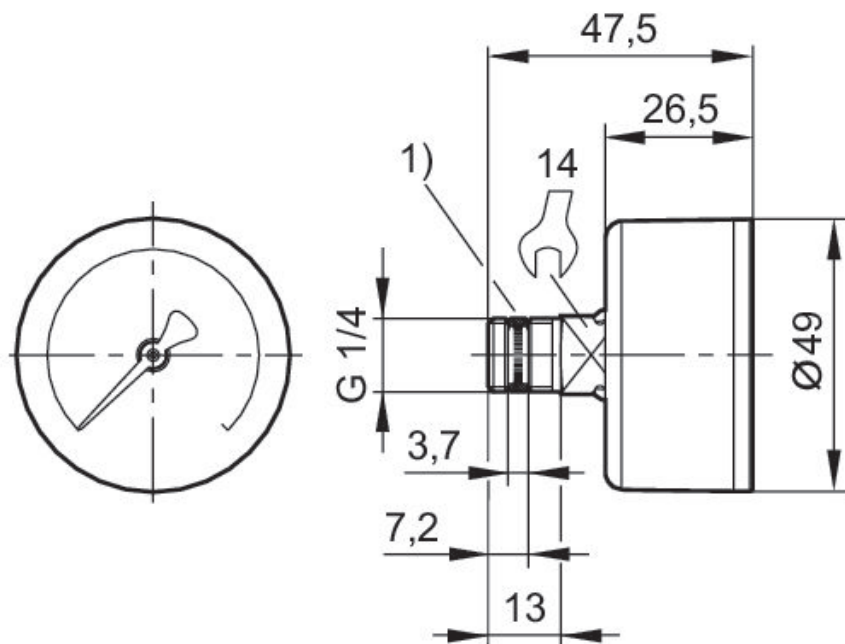
Type: with adjustable work area display, Back port
 Background color: Black
 Scale color: White
 Material viewing window: Polystyrene
 Main scale unit (outside): bar
 Secondary scale unit (inside): psi
 Standardization: EN 837-1



Nominal diameter [mm]	Port	Min. main scale range of application [bar]	Max. main scale range of application [bar]	Min. main scale display range [bar]	Max. main scale display range [bar]	Min. working pressure [bar]	Max. working pressure [bar]	Part No.
50	G 1/4	0	4	0	6	0	6	R412007870

Scale value	Part No.
0.2	R412007870

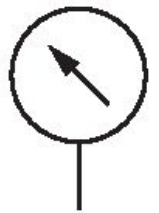
Dimensions in mm



1) Gasket thread

Pressure gauge, Series PG1-SNL

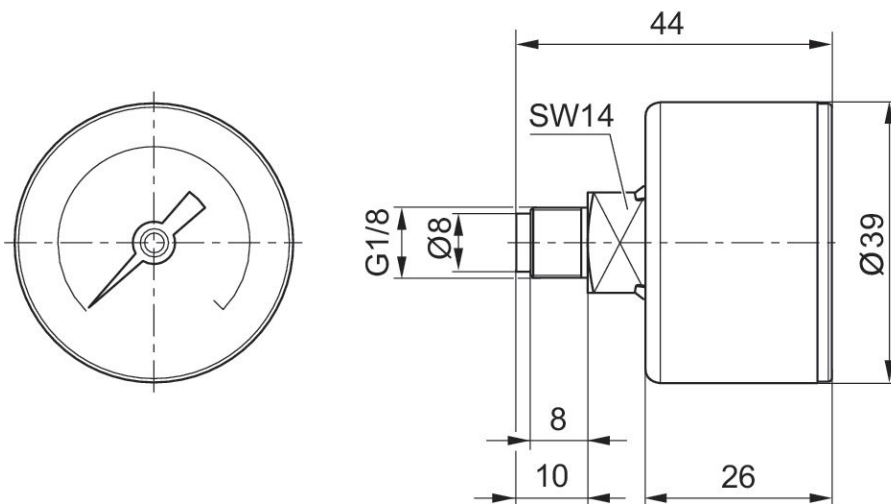
Background color: Black
 Scale color: Green
 Material viewing window: Polystyrene
 Main scale unit (outside): bar
 Secondary scale unit (inside): psi
 Standardization: EN 837-1



Nominal diameter [mm]	Port	Min. main scale range of application [bar]	Max. main scale range of application [bar]	Min. main scale display range [bar]	Max. main scale display range [bar]	Min. working pressure [bar]	Max. working pressure [bar]	Part No.
40	G 1/8	0	4	0	6	0	6	1827231018

Scale value	Certification	Part No.
0.2	Suitable for ATEX	1827231018

Dimensions in mm



Pressure gauge, Series PG1-SNL

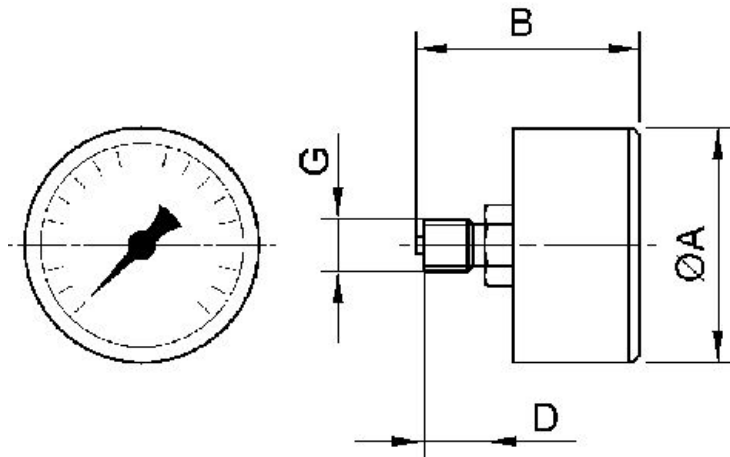
Type: Back port
 Background color: Black
 Scale color: Green
 Material viewing window: Polystyrene
 Main scale unit (outside): bar
 Secondary scale unit (inside): psi
 Standardization: EN 837-1



Nominal diameter [mm]	Port	Min. main scale range of application [bar]	Max. main scale range of application [bar]	Min. main scale display range [bar]	Max. main scale display range [bar]	Min. working pressure [bar]	Max. working pressure [bar]	Part No.
40	G 1/8	-0.8	0	-1	0	-1	0	1827231053
40	G 1/4	-0.8	0	-1	0	-1	0	1827231057
50	G 1/4	-0.8	0	-1	0	-1	0	1827231054
63	G 1/4	-0.8	0	-1	0	-1	0	1827231055

Scale value	Part No.
0.1	1827231053
0.1	1827231057
0.1	1827231054
0.1	1827231055

Dimensions



Dimensions in mm

Part No.	G	Nominal diameter	Ø A	B	D
1827231053	G 1/8	40 mm	39	44	10
1827231057	G 1/4	40 mm	41	41.5	10
1827231054	G 1/4	50 mm	49	47.5	13
1827231055	G 1/4	60 mm	63	48.3	13

Pressure gauge, Series PG1-SNL

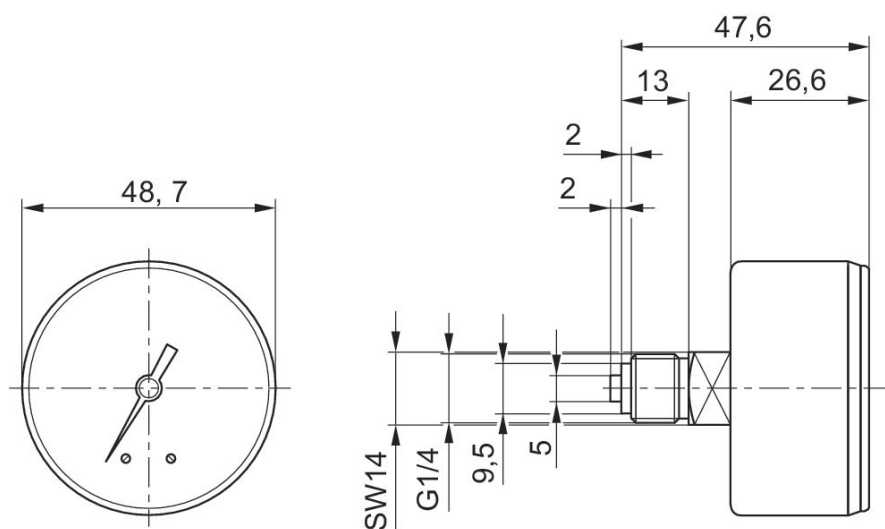
Background color: Black
 Scale color: Green
 Material viewing window: Polystyrene
 Main scale unit (outside): bar
 Secondary scale unit (inside): psi
 Standardization: EN 837-1



Nominal diameter [mm]	Port	Min. main scale range of application [bar]	Max. main scale range of application [bar]	Min. main scale display range [bar]	Max. main scale display range [bar]	Min. working pressure [bar]	Max. working pressure [bar]	Part No.
50	G 1/4	0	1.2	0	1.6	0	1.6	1827231023

Scale value	Part No.
0.05	1827231023

Dimensions in mm



Pressure gauge, Series PG1-SNL

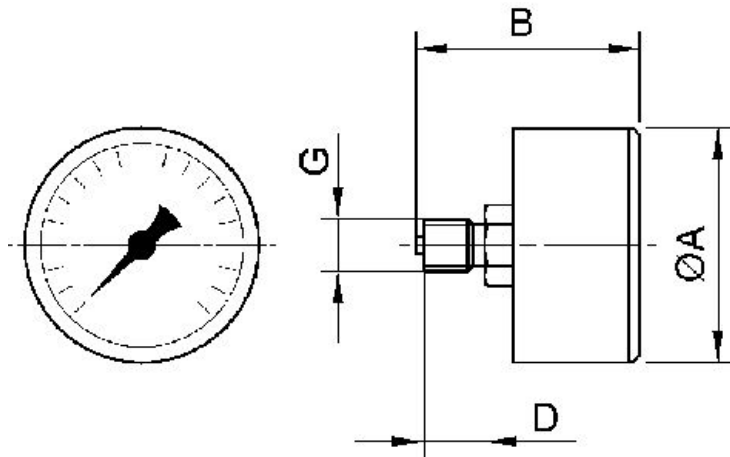
Type: Back port
 Background color: Black
 Scale color: Green
 Material viewing window: Polystyrene
 Main scale unit (outside): bar
 Secondary scale unit (inside): psi
 Standardization: EN 837-1



Nominal diameter [mm]	Port	Min. main scale range of application [bar]	Max. main scale range of application [bar]	Min. main scale display range [bar]	Max. main scale display range [bar]	Min. working pressure [bar]	Max. working pressure [bar]	Part No.
40	G 1/8	0	1.7	0	2.5	0	2.5	1827231048
50	G 1/4	0	2	0	2.5	0	2.5	1827231012

Scale value	Part No.
0.1	1827231048
0.1	1827231012

Dimensions

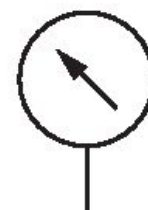


Dimensions in mm

Part No.	G	Nominal diameter	Ø A	B	D
1827231048	G 1/8	40 mm	39	44	10
1827231012	G 1/4	50 mm	49	47.5	13

Pressure gauge, Series PG1-SNL

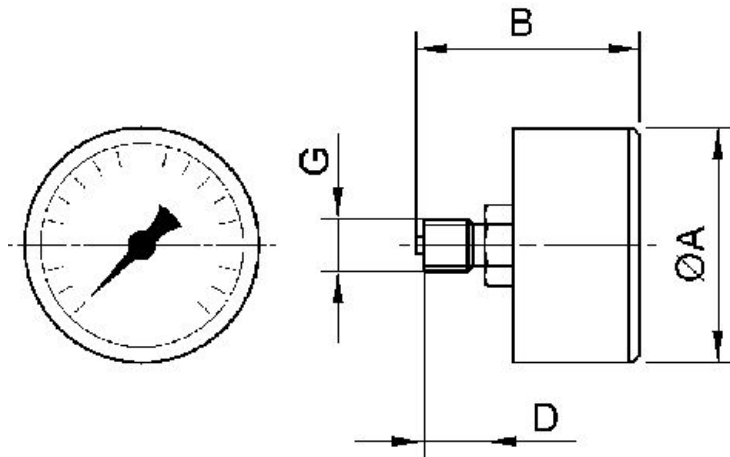
Type: Back port
 Background color: Black
 Scale color: Green
 Material viewing window: Polystyrene
 Main scale unit (outside): bar
 Secondary scale unit (inside): psi
 Standardization: EN 837-1



Nominal diameter [mm]	Port	Min. main scale range of application [bar]	Max. main scale range of application [bar]	Min. main scale display range [bar]	Max. main scale display range [bar]	Min. working pressure [bar]	Max. working pressure [bar]	Part No.
40	G 1/4	0	4	0	6	0	6	1827231059
50	G 1/4	0	4	0	6	0	6	1827231016

Scale value	Certification	Part No.
0.2		1827231059
0.2	Suitable for ATEX	1827231016

Dimensions

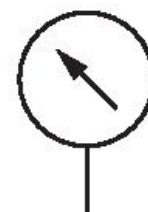


Dimensions in mm

Part No.	G	Nominal diameter	Ø A	B	D
1827231059	G 1/4	40 mm	41	41.5	10
1827231016	G 1/4	50 mm	49	47.5	13

Pressure gauge, Series PG1-SNL

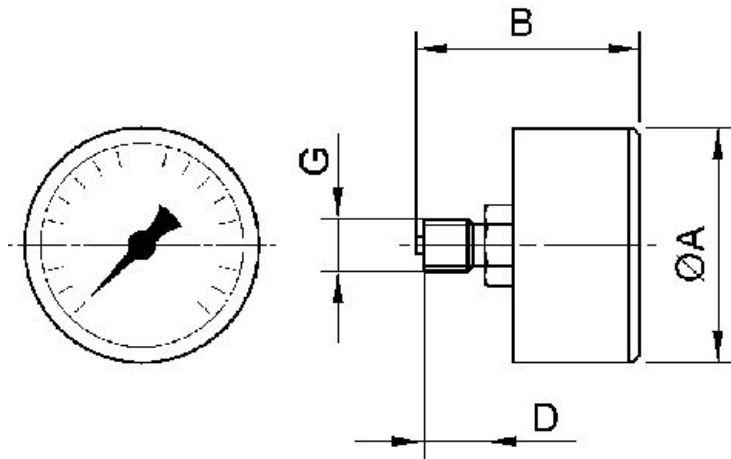
Type: Back port
 Background color: Black
 Scale color: Green
 Material viewing window: Polystyrene
 Main scale unit (outside): bar
 Secondary scale unit (inside): psi
 Standardization: EN 837-1



Nominal diameter [mm]	Port	Min. main scale range of application [bar]	Max. main scale range of application [bar]	Min. main scale display range [bar]	Max. main scale display range [bar]	Min. working pressure [bar]	Max. working pressure [bar]	Part No.
40	G 1/8	0	8	0	10	0	10	1827231024
40	G 1/4	0	8	0	10	0	10	1827231060
50	G 1/4	0	8	0	10	0	10	1827231015

Scale value	Certification	Part No.
0.5	Suitable for ATEX	1827231024
0.5	Suitable for ATEX	1827231060
0.5	Suitable for ATEX	1827231015

Dimensions

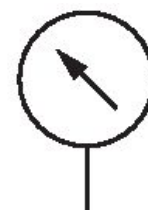


Dimensions in mm

Part No.	G	Nominal diameter	Ø A	B	D
1827231024	G 1/8	40 mm	39	44	10
1827231060	G 1/4	40 mm	41	41.5	10
1827231015	G 1/4	50 mm	49	47.5	13

Pressure gauge, Series PG1-SNL

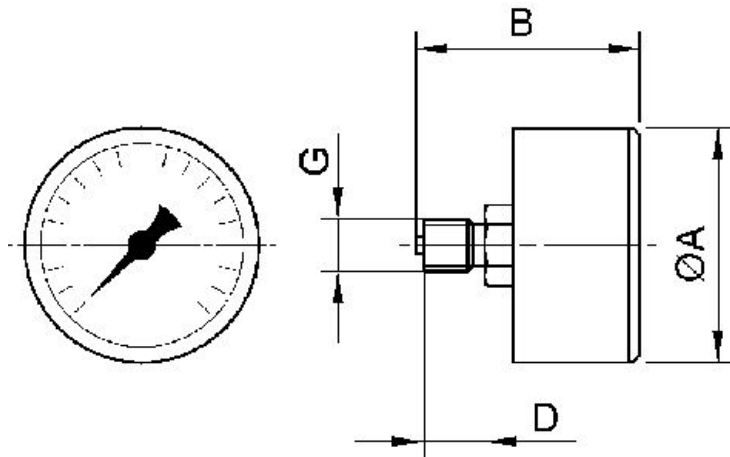
Type: Back port
 Background color: Black
 Scale color: Green
 Material viewing window: Polystyrene
 Main scale unit (outside): bar
 Secondary scale unit (inside): psi
 Standardization: EN 837-1



Nominal diameter [mm]	Port	Min. main scale range of application [bar]	Max. main scale range of application [bar]	Min. main scale display range [bar]	Max. main scale display range [bar]	Min. working pressure [bar]	Max. working pressure [bar]	Part No.
40	G 1/8	0	12	0	16	0	16	1827231009
40	G 1/4	0	10	0	16	0	16	1827231047
50	G 1/4	0	12	0	16	0	16	1827231010
63	G 1/4	0	12	0	16	0	16	1827231011

Scale value	Certification	Part No.
0.5	Suitable for ATEX	1827231009
0.5	Suitable for ATEX	1827231047
0.5	Suitable for ATEX	1827231010
0.5	Suitable for ATEX	1827231011

Dimensions

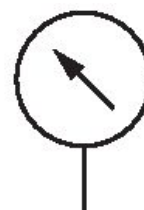


Dimensions in mm

Part No.	G	Nominal diameter	Ø A	B	D
1827231009	G 1/4	40 mm	39	44	10
1827231047	G 1/4	40 mm	41	41.5	10
1827231010	G 1/4	50 mm	49	47.5	13
1827231011	G 1/4	63 mm	63	48.3	13

Pressure gauge, Series PG1-SNL

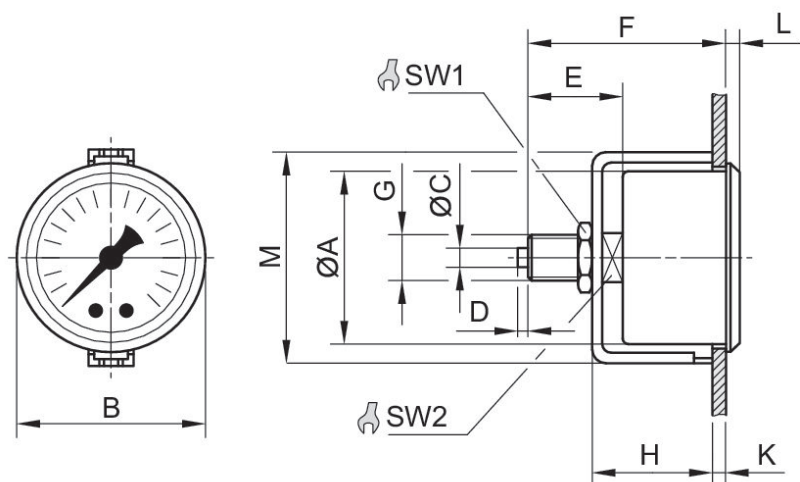
Type: Bourdon tube pressure gauge, For panel installation, with U-clip
 Background color: Black
 Scale color: Green
 Material viewing window: Polystyrene
 Main scale unit (outside): bar
 Secondary scale unit (inside): psi
 Standardization: EN 837-1



Nominal diameter [mm]	Port	Min. main scale range of application [bar]	Max. main scale range of application [bar]	Min. main scale display range [bar]	Max. main scale display range [bar]	Min. working pressure [bar]	Max. working pressure [bar]	Part No.
40	G 1/8	-0.8	0	0	1	-1	0	1827231040

Scale value	Part No.
0.1	1827231040

Dimensions



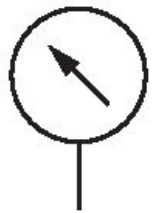
Dimensions in mm

Part No.	Compressed air connection	Nominal diameter	Ø A	B	C	D	E	F	H
1827231040	G 1/8	40 mm	40	43	-	-	25.5	49	32

Part No.	K	L	M	SW1	SW2
1827231040	4	4	49	17	14

Pressure gauge, Series PG1-SNL

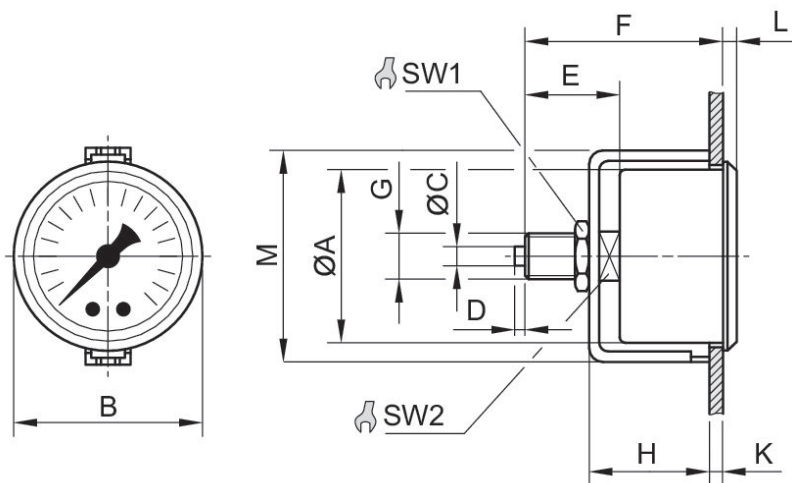
Type: Bourdon tube pressure gauge, For panel installation, with U-clip
 Background color: Black
 Scale color: Green
 Material viewing window: Polystyrene
 Main scale unit (outside): bar
 Secondary scale unit (inside): psi
 Standardization: EN 837-1



Nominal diameter [mm]	Port	Min. main scale range of application [bar]	Max. main scale range of application [bar]	Min. main scale display range [bar]	Max. main scale display range [bar]	Min. working pressure [bar]	Max. working pressure [bar]	Part No.
40	G 1/8	0	8	0	10	0	10	1827231030
50	G 1/4	0	8	0	10	0	10	1827231034
63	G 1/4	0	8	0	10	0	10	1827231038

Scale value	Part No.
0.5	1827231030
0.5	1827231034
0.5	1827231038

Dimensions



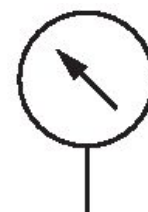
Dimensions in mm

Part No.	Compressed air connection	Nominal diameter	Ø A	B	C	D	E	F	H
1827231030	G 1/8	40 mm	40	43	–	–	25.5	49	32
1827231034	G 1/4	50 mm	50	54	5	3	29.5	51.5	34.5
1827231038	G 1/4	63 mm	62	67	5	3	27	53	36.3

Part No.	K	L	M	SW1	SW2
1827231030	4	4	49	17	14
1827231034	3	4.5	61	17	14
1827231038	4.2	5.5	75	17	14

Pressure gauge, Series PG1-SNL

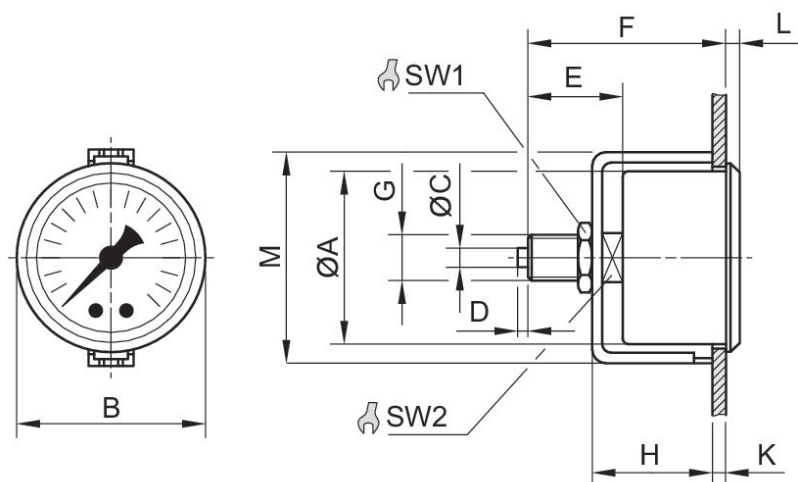
Type: Bourdon tube pressure gauge, For panel installation, with U-clip
 Background color: Black
 Scale color: Green
 Material viewing window: Polystyrene
 Main scale unit (outside): bar
 Secondary scale unit (inside): psi
 Standardization: EN 837-1



Nominal diameter [mm]	Port	Min. main scale range of application [bar]	Max. main scale range of application [bar]	Min. main scale display range [bar]	Max. main scale display range [bar]	Min. working pressure [bar]	Max. working pressure [bar]	Part No.
40	G 1/8	0	12	0	16	0	16	1827231031
50	G 1/4	0	12	0	16	0	16	1827231035
63	G 1/4	0	12	0	16	0	16	1827231039

Scale value	Part No.
0.5	1827231031
0.5	1827231035
0.5	1827231039

Dimensions



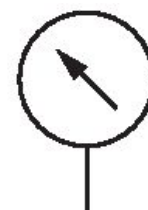
Dimensions in mm

Part No.	Compressed air connection	Nominal diameter	Ø A	B	C	D	E	F	H
1827231031	G 1/8	40 mm	40	43	-	-	25.5	49	32
1827231035	G 1/4	50 mm	50	54	5	3	29.5	51.5	34.5
1827231039	G 1/4	63 mm	62	67	5	3	27	53	36.3

Part No.	K	L	M	SW1	SW2
1827231031	4	4	49	17	14
1827231035	3	4.5	61	17	14
1827231039	4.2	5.5	75	17	14

Pressure gauge, Series PG1-SNL

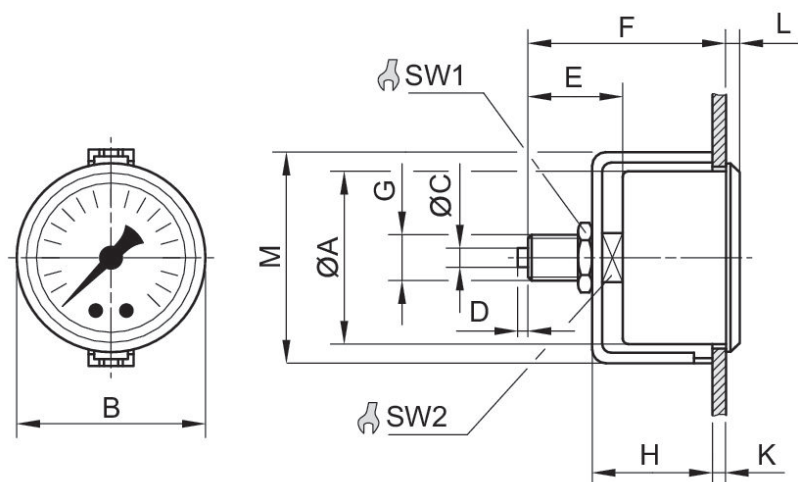
Type: Bourdon tube pressure gauge, For panel installation, with U-clip
 Background color: Black
 Scale color: Green
 Material viewing window: Polystyrene
 Main scale unit (outside): bar
 Secondary scale unit (inside): psi
 Standardization: EN 837-1



Nominal diameter [mm]	Port	Min. main scale range of application [bar]	Max. main scale range of application [bar]	Min. main scale display range [bar]	Max. main scale display range [bar]	Min. working pressure [bar]	Max. working pressure [bar]	Part No.
40	G 1/8	0	2	0	2.5	0	2.5	1827231042
50	G 1/4	0	2	0	2.5	0	2.5	1827231032
63	G 1/4	0	2	0	2.5	0	2.5	1827231036

Scale value	Part No.
0.1	1827231042
0.1	1827231032
0.1	1827231036

Dimensions



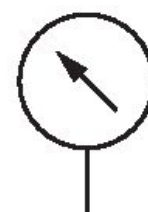
Dimensions in mm

Part No.	Compressed air connection	Nominal diameter	Ø A	B	C	D	E	F	H
1827231042	G 1/8	40 mm	40	43	-	-	25.5	49	32
1827231032	G 1/4	50 mm	50	54	5	3	29.5	51.5	34.5
1827231036	G 1/4	63 mm	62	67	5	3	27	53	36.3

Part No.	K	L	M	SW1	SW2
1827231042	4	4	49	17	14
1827231032	3	4.5	61	17	14
1827231036	4.2	5.5	75	17	14

Pressure gauge, Series PG1-SNL

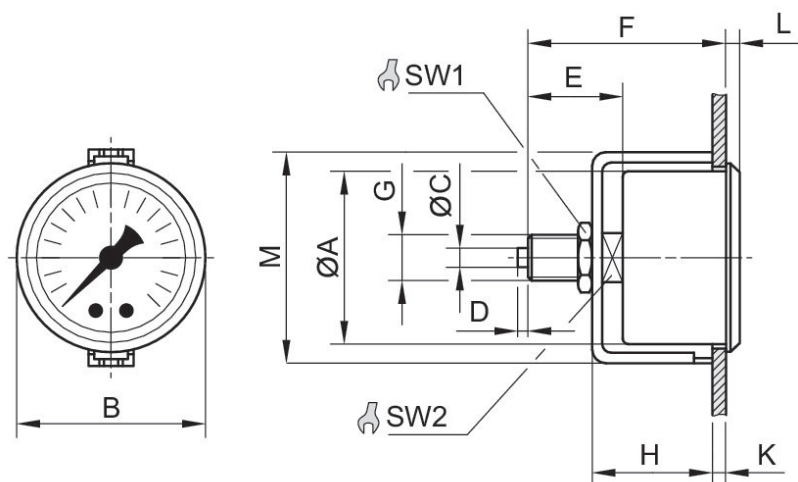
Type: Bourdon tube pressure gauge, For panel installation, with U-clip
 Background color: Black
 Scale color: Green
 Material viewing window: Polystyrene
 Main scale unit (outside): bar
 Secondary scale unit (inside): psi
 Standardization: EN 837-1



Nominal diameter [mm]	Port	Min. main scale range of application [bar]	Max. main scale range of application [bar]	Min. main scale display range [bar]	Max. main scale display range [bar]	Min. working pressure [bar]	Max. working pressure [bar]	Part No.
40	G 1/8	0	4	0	6	0	6	1827231041
50	G 1/4	0	4	0	6	0	6	1827231033
63	G 1/4	0	4	0	6	0	6	1827231037

Scale value	Part No.
0.2	1827231041
0.2	1827231033
0.2	1827231037

Dimensions



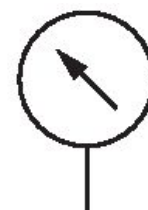
Dimensions in mm

Part No.	Compressed air connection	Nominal diameter	Ø A	B	C	D	E	F	H
1827231041	G 1/8	40 mm	40	43	-	-	25.5	49	32
1827231033	G 1/4	50 mm	50	54	5	3	29.5	51.5	34.5
1827231037	G 1/4	63 mm	62	67	5	3	27	53	36.3

Part No.	K	L	M	SW1	SW2
1827231041	4	4	49	17	14
1827231033	3	4.5	61	17	14
1827231037	4.2	5.5	75	17	14

Pressure gauge, Series PG1-SNL

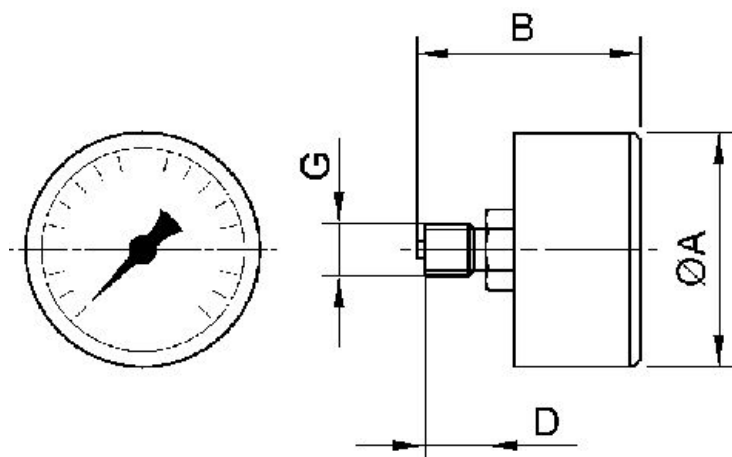
Background color: Black
 Scale color: Green
 Material viewing window: Mineral glass
 Main scale unit (outside): bar
 Secondary scale unit (inside): psi
 Standardization: EN 837-1



Nominal diameter [mm]	Port	Min. main scale range of application [bar]	Max. main scale range of application [bar]	Min. main scale display range [bar]	Max. main scale display range [bar]	Min. working pressure [bar]	Max. working pressure [bar]	Part No.
50	G 1/4	0	12	0	16	0	16	R412004987

Scale value	Part No.
0.5	R412004987

Dimensions

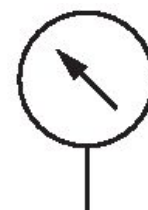


Dimensions in mm

Part No.	G	Nominal diameter	Ø A	B	D
R412004987	G 1/4	50 mm	49	48.3	13

Pressure gauge, Series PG1-SNL-ADJ

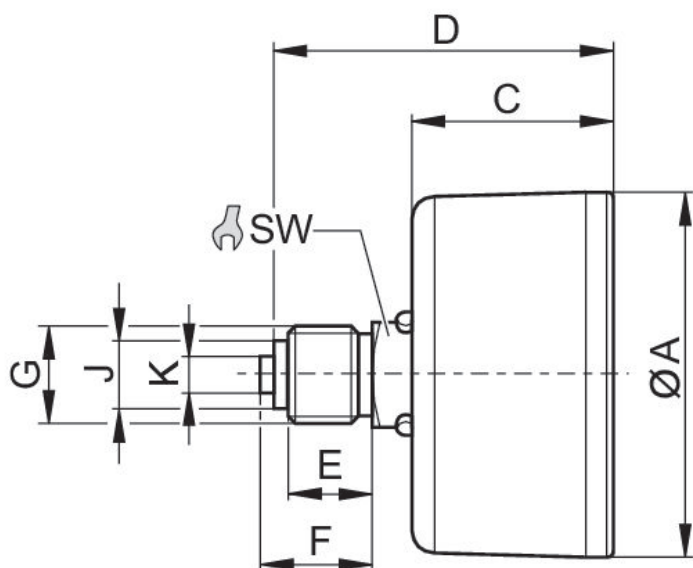
Background color: White
 Scale color: Black
 Material viewing window: Polystyrene
 Main scale unit (outside): bar
 Standardization: EN 837-1



Nominal diameter [mm]	Port	Min. main scale range of application [bar]	Max. main scale range of application [bar]	Min. main scale display range [bar]	Max. main scale display range [bar]	Min. working pressure [bar]	Max. working pressure [bar]	Part No.
50	G 1/8	0	1.2	0	1.6	0	1.6	1827231075
50	G 1/4	0	1.2	0	1.6	0	1.6	R412003474

Scale value	Part No.
0.05	1827231075
0.05	R412003474

Dimensions



Part No.	Compressed air connection	Nominal diameter	Ø A	C	D	E	F	J	K
1827231075	G 1/8	50 mm	49	26.5	41.5	8	10	8	-
R412003474	G 1/4	50 mm	49	26.5	44.5	11	15	9.5	5

Part No.	SW
1827231075	14
R412003474	14

Pressure gauge, Series PG1-SNL-ADJ

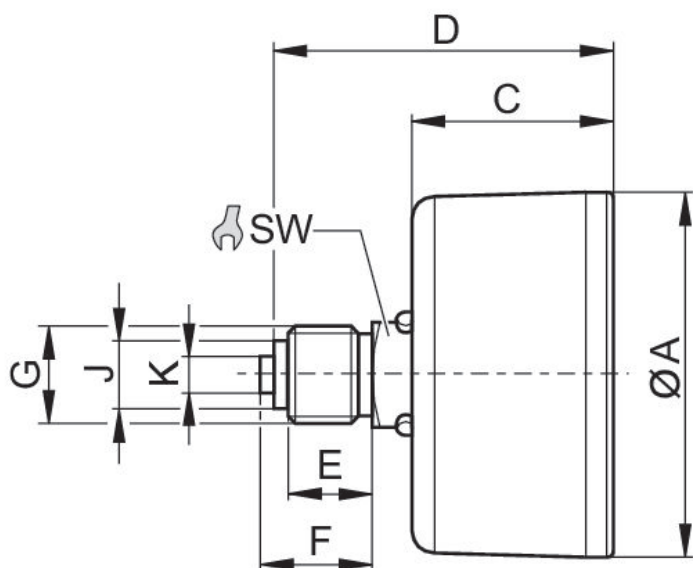
Background color: White
 Scale color: Black
 Material viewing window: Polystyrene
 Main scale unit (outside): bar
 Standardization: EN 837-1



Nominal diameter [mm]	Port	Min. main scale range of application [bar]	Max. main scale range of application [bar]	Min. main scale display range [bar]	Max. main scale display range [bar]	Min. working pressure [bar]	Max. working pressure [bar]	Part No.
50	G 1/8	0	8	0	10	0	10	1827231079
50	G 1/4	0	8	0	10	0	10	R412003478

Scale value	Part No.
0.5	1827231079
0.5	R412003478

Dimensions



Part No.	Compressed air connection	Nominal diameter	Ø A	C	D	E	F	J	K
1827231079	G 1/8	50 mm	49	26.5	41.5	8	10	8	-
R412003478	G 1/4	50 mm	49	26.5	44.5	11	15	9.5	5

Part No.	SW
1827231079	14
R412003478	14

Pressure gauge, Series PG1-SNL-ADJ

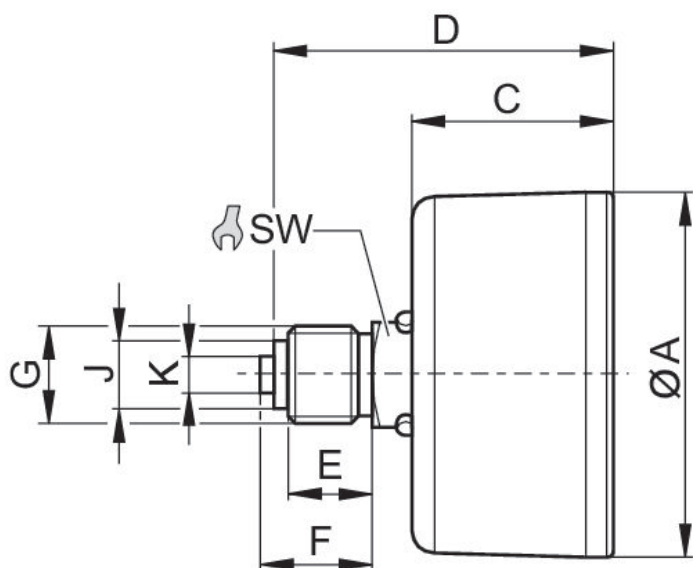
Background color: White
 Scale color: Black
 Material viewing window: Polystyrene
 Main scale unit (outside): bar
 Standardization: EN 837-1



Nominal diameter [mm]	Port	Min. main scale range of application [bar]	Max. main scale range of application [bar]	Min. main scale display range [bar]	Max. main scale display range [bar]	Min. working pressure [bar]	Max. working pressure [bar]	Part No.
50	G 1/8	0	12	0	16	0	16	1827231080
50	G 1/4	0	12	0	16	0	16	R412003479

Scale value	Part No.
0.5	1827231080
0.5	R412003479

Dimensions



Part No.	Compressed air connection	Nominal diameter	Ø A	C	D	E	F	J	K
1827231080	G 1/8	50 mm	49	26.5	41.5	8	10	8	-
R412003479	G 1/4	50 mm	49	26.5	44.5	11	15	9.5	5

Part No.	SW
1827231080	14
R412003479	14

Pressure gauge, Series PG1-SNL-ADJ

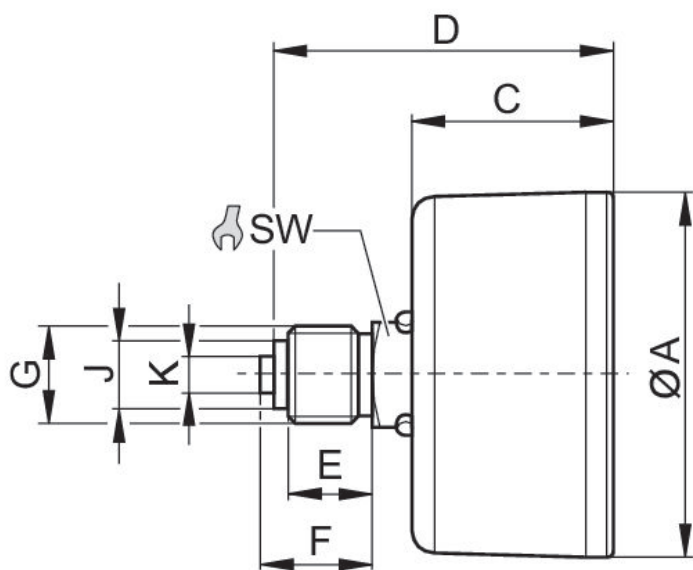
Background color: White
 Scale color: Black
 Material viewing window: Polystyrene
 Main scale unit (outside): bar
 Standardization: EN 837-1



Nominal diameter [mm]	Port	Min. main scale range of application [bar]	Max. main scale range of application [bar]	Min. main scale display range [bar]	Max. main scale display range [bar]	Min. working pressure [bar]	Max. working pressure [bar]	Part No.
50	G 1/8	0	2	0	2.5	0	2.5	1827231076
50	G 1/4	0	2	0	2.5	0	2.5	R412003475

Scale value	Part No.
0.1	1827231076
0.1	R412003475

Dimensions

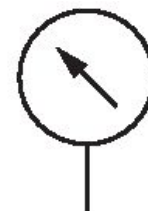


Part No.	Compressed air connection	Nominal diameter	Ø A	C	D	E	F	J	K
1827231076	G 1/8	50 mm	49	26.5	41.5	8	10	8	-
R412003475	G 1/4	50 mm	49	26.5	44.5	11	15	9.5	5

Part No.	SW
1827231076	14
R412003475	14

Pressure gauge, Series PG1-SNL-ADJ

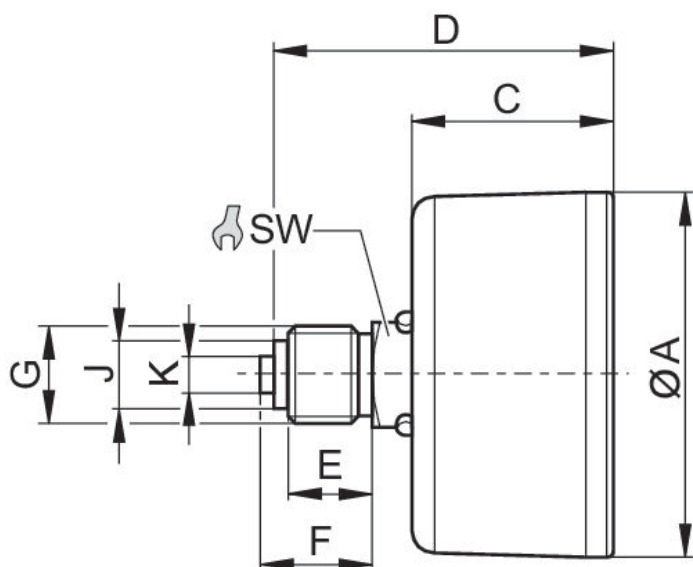
Background color: White
Scale color: Black
Material viewing window: Polystyrene
Main scale unit (outside): bar
Standardization: EN 837-1



Nominal diameter [mm]	Port	Min. main scale range of application [bar]	Max. main scale range of application [bar]	Min. main scale display range [bar]	Max. main scale display range [bar]	Min. working pressure [bar]	Max. working pressure [bar]	Part No.
50	R 1/8	0	2.5	0	3	0	3	3530190120

Scale value	Part No.
0.2	3530190120

Dimensions



Part No.	Compressed air connection	Nominal diameter	Ø A	C	D	E	F	J	K
1827231076	G 1/8	50 mm	49	26.5	41.5	8	10	8	-
R412003475	G 1/4	50 mm	49	26.5	44.5	11	15	9.5	5

Part No.	SW
1827231076	14
R412003475	14

Pressure gauge, Series PG1-SNL-ADJ

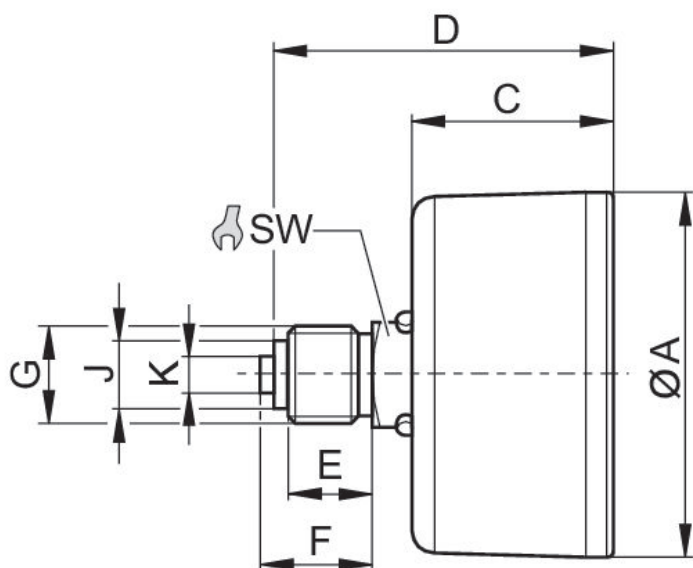
Background color: White
 Scale color: Black
 Material viewing window: Polystyrene
 Main scale unit (outside): bar
 Standardization: EN 837-1



Nominal diameter [mm]	Port	Min. main scale range of application [bar]	Max. main scale range of application [bar]	Min. main scale display range [bar]	Max. main scale display range [bar]	Min. working pressure [bar]	Max. working pressure [bar]	Part No.
50	G 1/8	0	3.2	0	4	0	4	1827231077
50	G 1/4	0	3.2	0	4	0	4	R412003476

Scale value	Part No.
0.2	1827231077
0.2	R412003476

Dimensions



Part No.	Compressed air connection	Nominal diameter	Ø A	C	D	E	F	J	K
1827231077	G 1/8	50 mm	49	26.5	41.5	8	10	8	-
R412003476	G 1/4	50 mm	49	26.5	44.5	11	15	9.5	5

Part No.	SW
1827231077	14
R412003476	14

Pressure gauge, Series PG1-SNL-ADJ

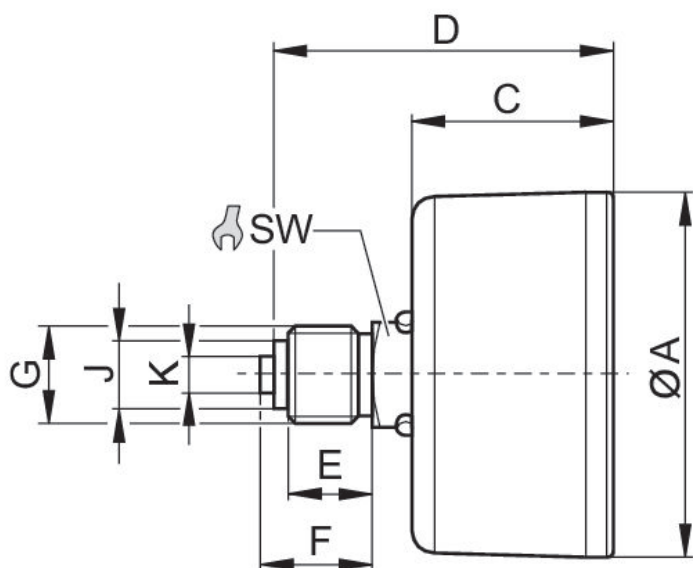
Background color: White
 Scale color: Black
 Material viewing window: Polystyrene
 Main scale unit (outside): bar
 Standardization: EN 837-1



Nominal diameter [mm]	Port	Min. main scale range of application [bar]	Max. main scale range of application [bar]	Min. main scale display range [bar]	Max. main scale display range [bar]	Min. working pressure [bar]	Max. working pressure [bar]	Part No.
50	G 1/8	0	4	0	6	0	6	1827231078
50	G 1/4	0	4	0	6	0	6	R412003477

Scale value	Part No.
0.2	1827231078
0.2	R412003477

Dimensions



Part No.	Compressed air connection	Nominal diameter	Ø A	C	D	E	F	J	K
1827231078	G 1/8	50 mm	49	26.5	41.5	8	10	8	-
R412003477	G 1/4	50 mm	49	26.5	44.5	11	15	9.5	5

Part No.	SW
1827231078	14
R412003477	14

Pressure gauge, Series PG1-STD

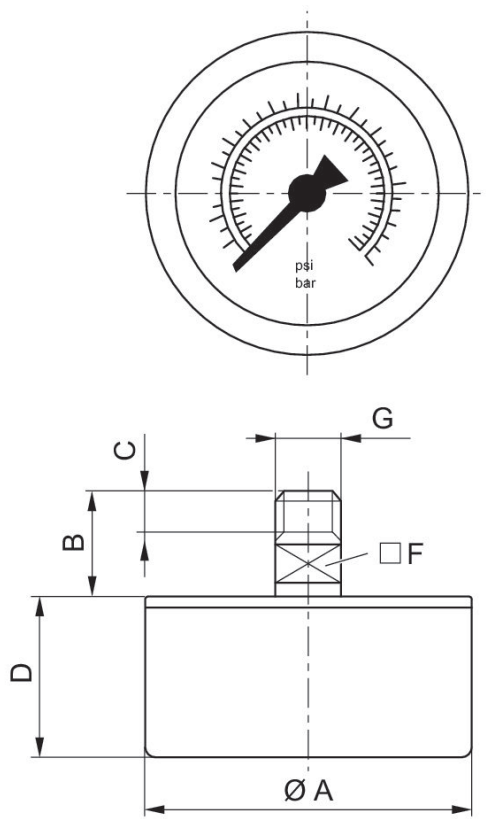
Background color: White
 Scale color: Black
 Material viewing window: Polystyrene
 Main scale unit (outside): bar
 Secondary scale unit (inside): psi
 Standardization: EN 837-1



Nominal diameter [mm]	Port	Min. main scale range of application [bar]	Max. main scale range of application [bar]	Min. main scale display range [bar]	Max. main scale display range [bar]	Min. working pressure [bar]	Max. working pressure [bar]	Part No.
26	M5	0	8	0	10	0	10	1827231052
40	R 1/8	0	8	0	10	0	10	3530200100

Scale value	Certification	Part No.
1	Suitable for ATEX	1827231052
0.5		3530200100

Dimensions

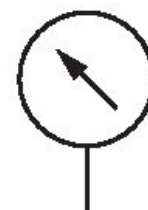


Dimensions in mm

Part No.	Compressed air connection	Nominal diameter	$\varnothing A$	B	C	D	F
1827231052	M5	26 mm	26	11.5	5	20	12
3530200100	R 1/8	40 mm	40	19	10	26	14

Pressure gauge, Series PG1-STD

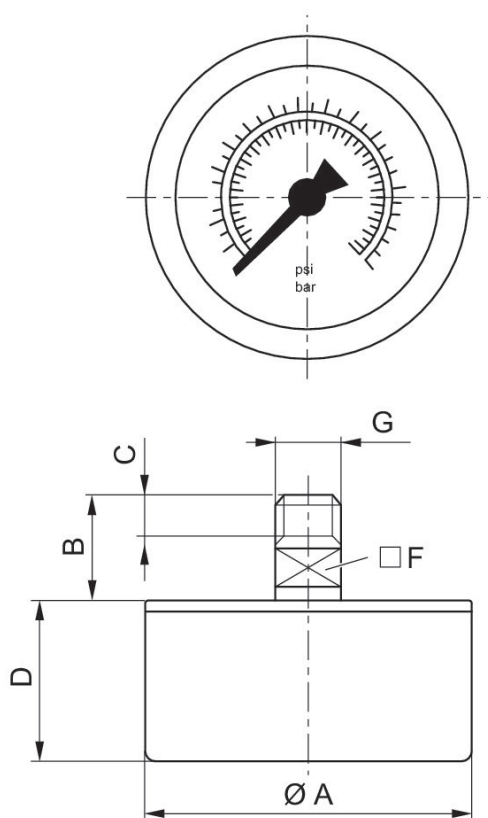
Background color: White
 Scale color: Black
 Material viewing window: Polystyrene
 Main scale unit (outside): bar
 Secondary scale unit (inside): psi
 Standardization: EN 837-1



Nominal diameter [mm]	Port	Min. main scale range of application [bar]	Max. main scale range of application [bar]	Min. main scale display range [bar]	Max. main scale display range [bar]	Min. working pressure [bar]	Max. working pressure [bar]	Part No.
26	G 1/8	0	10	0	12	0	12	8901701270
40	R 1/8	0	10	0	12	0	12	3530200150
50	R 1/8	0	10	0	12	0	12	3530190100
50	G 1/4	0	10	0	12	0	12	8901702070
63	G 1/4	0	10	0	12	0	12	8901702090

Scale value	Part No.
0.5	8901701270
0.5	3530200150
0.5	3530190100
0.5	8901702070
0.5	8901702090

Dimensions

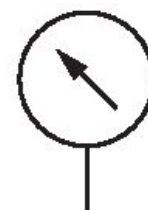


Dimensions in mm

Part No.	Compressed air connection	Nominal diameter	$\varnothing A$	B	C	D	F
8901701270	G 1/8	26 mm	26	15.5	8	16.2	12
3530200150	R 1/8	40 mm	40	19	10	26	14
3530190100	R 1/8	50 mm	50	19	10	27	14
8901702070	G 1/4	50 mm	50	18	13	26.5	14
8901702090	G 1/4	63 mm	63	21	13	26.5	14

Pressure gauge, Series PG1-STD

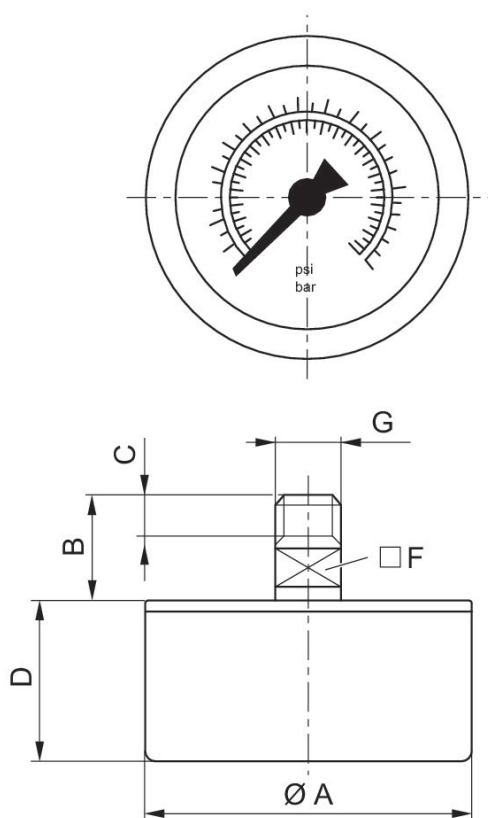
Background color: White
 Scale color: Black
 Material viewing window: Polystyrene
 Main scale unit (outside): bar
 Secondary scale unit (inside): psi
 Standardization: EN 837-1



Nominal diameter [mm]	Port	Min. main scale range of application [bar]	Max. main scale range of application [bar]	Min. main scale display range [bar]	Max. main scale display range [bar]	Min. working pressure [bar]	Max. working pressure [bar]	Part No.
26	G 1/8	0	3.2	0	4	0	4	8901701290
40	R 1/8	0	3.2	0	4	0	4	3530200120
50	R 1/8	0	3.2	0	4	0	4	3530190130

Scale value	Part No.
0.25	8901701290
0.2	3530200120
0.2	3530190130

Dimensions

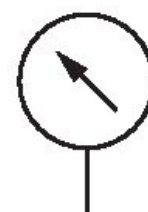


Dimensions in mm

Part No.	Compressed air connection	Nominal diameter	$\varnothing A$	B	C	D	F
8901701290	G 1/8	26 mm	26	15.5	8	16.2	12
3530200120	R 1/8	40 mm	40	19	10	26	14
3530190130	R 1/8	50 mm	50	19	10	27	14

Pressure gauge, Series PG1-STD

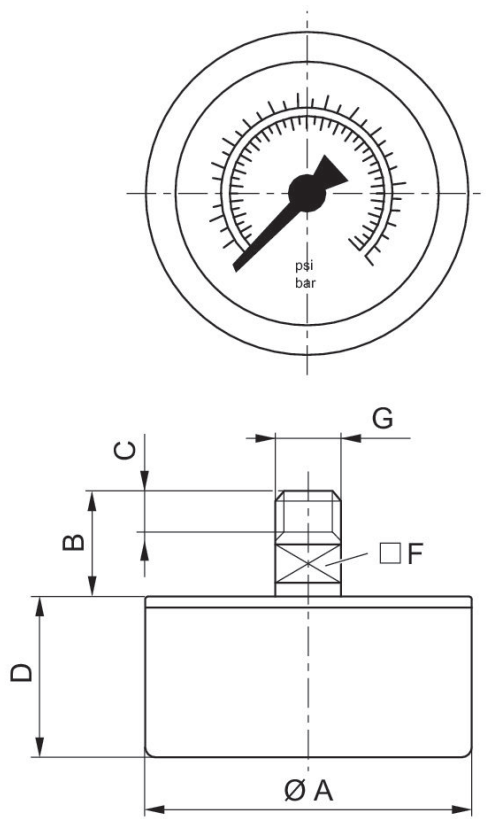
Background color: White
 Scale color: Black
 Material viewing window: Polystyrene
 Main scale unit (outside): bar
 Secondary scale unit (inside): psi
 Standardization: EN 837-1



Nominal diameter [mm]	Port	Min. main scale range of application [bar]	Max. main scale range of application [bar]	Min. main scale display range [bar]	Max. main scale display range [bar]	Min. working pressure [bar]	Max. working pressure [bar]	Part No.
40	R 1/8	0	2	0	2.5	0	3	3530200160

Scale value	Part No.
0.2	3530200160

Dimensions



Dimensions in mm

Part No.	Compressed air connection	Nominal diameter	Ø A	B	C	D	F
3530200160	R 1/8	40 mm	40	19	10	26	14

Pressure gauge, Series PG1-STD

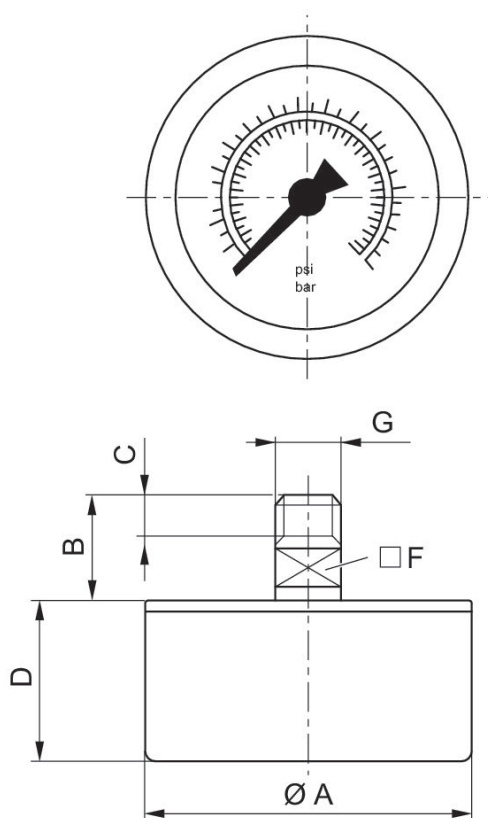
Background color: White
 Scale color: Black
 Material viewing window: Polystyrene
 Main scale unit (outside): bar
 Secondary scale unit (inside): psi
 Standardization: EN 837-1



Nominal diameter [mm]	Port	Min. main scale range of application [bar]	Max. main scale range of application [bar]	Min. main scale display range [bar]	Max. main scale display range [bar]	Min. working pressure [bar]	Max. working pressure [bar]	Part No.
40	R 1/8	0	12	0	16	0	16	3530200140
50	R 1/8	0	12	0	16	0	16	3530190140

Scale value	Part No.
0.5	3530200140
0.5	3530190140

Dimensions

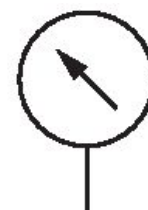


Dimensions in mm

Part No.	Compressed air connection	Nominal diameter	Ø A	B	C	D	F
3530200140	R 1/8	40 mm	40	19	10	26	14
3530190140	R 1/8	50 mm	50	19	10	27	14

Pressure gauge, Series PG1-STD

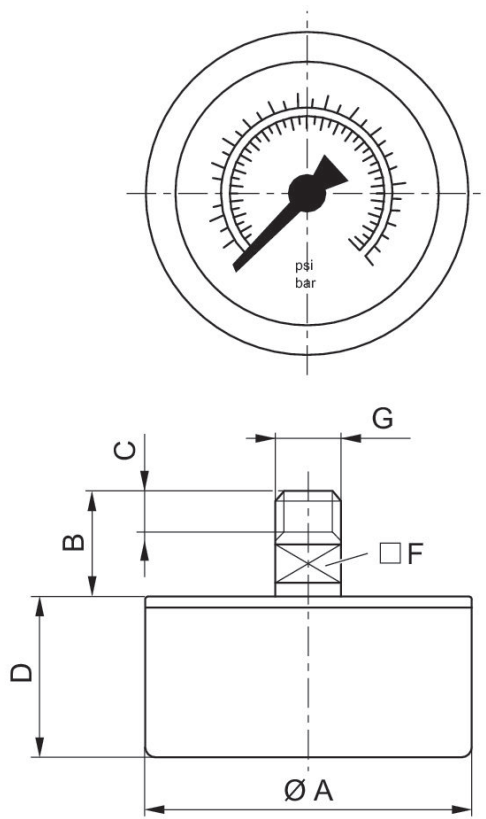
Background color: White
 Scale color: Black
 Material viewing window: Polystyrene
 Main scale unit (outside): bar
 Secondary scale unit (inside): psi
 Standardization: EN 837-1



Nominal diameter [mm]	Port	Min. main scale range of application [bar]	Max. main scale range of application [bar]	Min. main scale display range [bar]	Max. main scale display range [bar]	Min. working pressure [bar]	Max. working pressure [bar]	Part No.
40	R 1/8	0	1.2	0	1.6	0	1.6	3530200130
50	R 1/8	0	1.2	0	1.6	0	1.6	3530190150

Scale value	Part No.
0.1	3530200130
0.1	3530190150

Dimensions

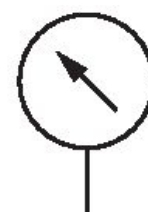


Dimensions in mm

Part No.	Compressed air connection	Nominal diameter	$\varnothing A$	B	C	D	F
3530200130	R 1/8	40 mm	40	19	10	26	14
3530190150	R 1/8	50 mm	50	19	10	27	14

Pressure gauge, Series PG1-STD

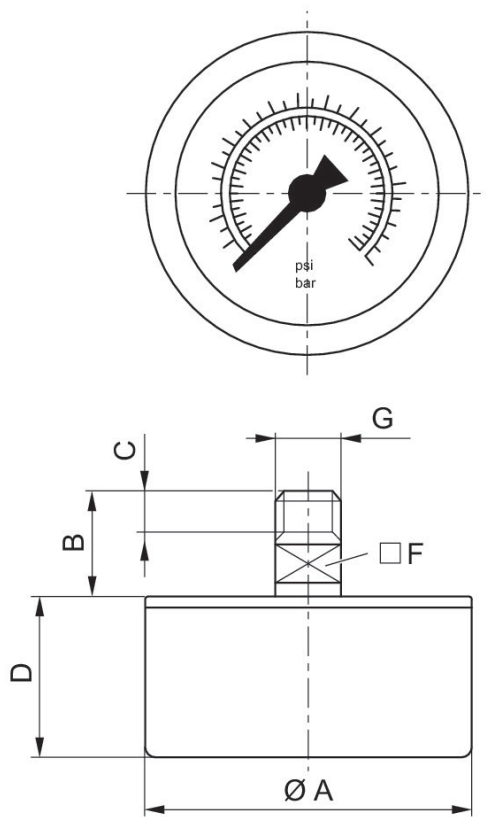
Background color: White
 Scale color: Black
 Material viewing window: Polystyrene
 Main scale unit (outside): bar
 Secondary scale unit (inside): psi
 Standardization: EN 837-1



Nominal diameter [mm]	Port	Min. main scale range of application [bar]	Max. main scale range of application [bar]	Min. main scale display range [bar]	Max. main scale display range [bar]	Min. working pressure [bar]	Max. working pressure [bar]	Part No.
40	R 1/8	0	4	0	6	0	6	3530200110
50	R 1/8	0	4	0	6	0	6	3530190110

Scale value	Part No.
0.2	3530200110
0.2	3530190110

Dimensions



Dimensions in mm

Part No.	Compressed air connection	Nominal diameter	$\varnothing A$	B	C	D	F
3530200110	R 1/8	40 mm	40	19	10	26	14
3530190110	R 1/8	50 mm	50	19	10	27	14

Pressure gauge, Series PG1-PAN-ADJ

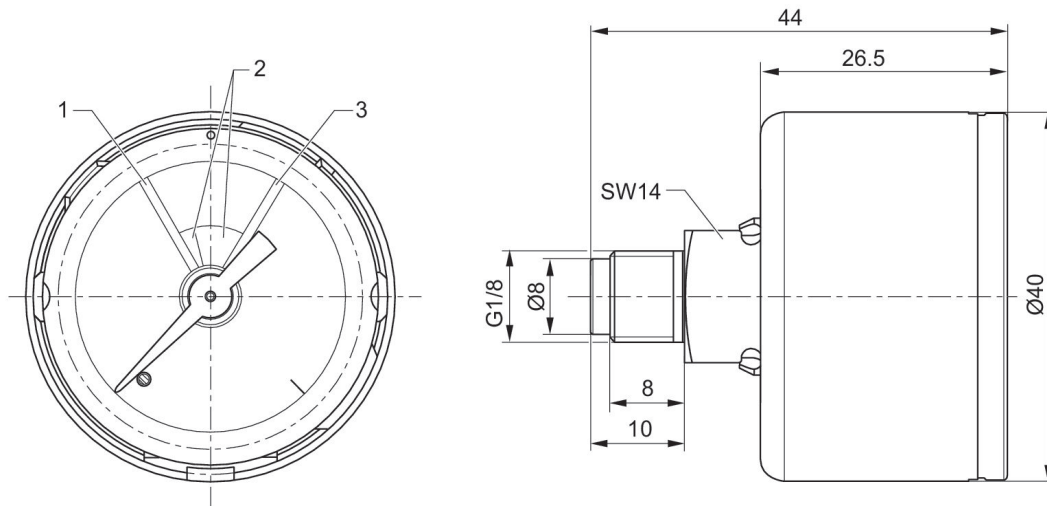
Background color: Black
 Scale color: Green
 Material viewing window: Polystyrene
 Main scale unit (outside): bar
 Standardization: EN 837-1



Nominal diameter [mm]	Port	Min. main scale range of application [bar]	Max. main scale range of application [bar]	Min. main scale display range [bar]	Max. main scale display range [bar]	Min. working pressure [bar]	Max. working pressure [bar]	Part No.
40	G 1/8	-0.8	0	0	1	0	10	R414010398

Scale value	Part No.
0.1	R414010398

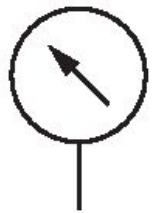
Dimensions



1 = red 2 = green 3 = red

Pressure gauge, Series PG1-PAN-ADJ

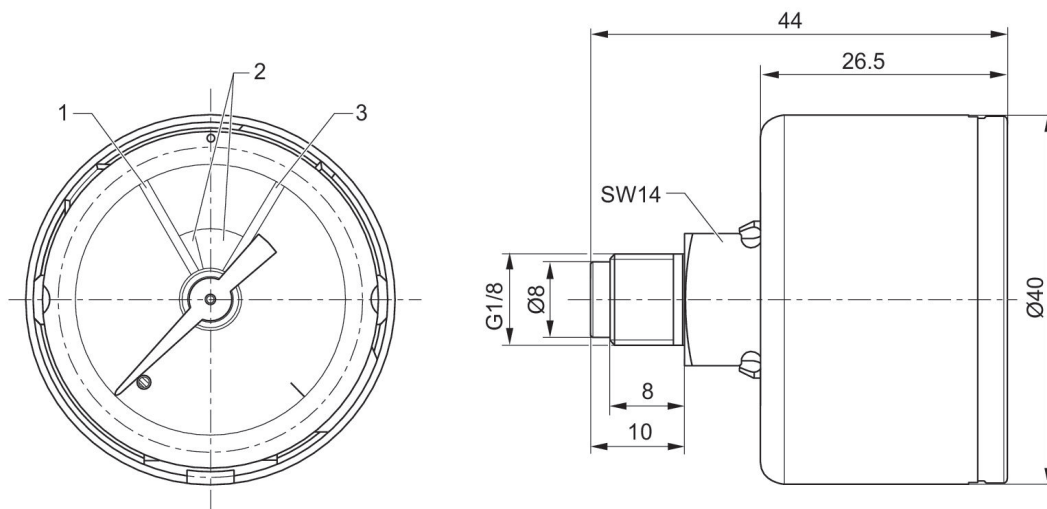
Background color: Black
 Scale color: Green
 Material viewing window: Polystyrene
 Main scale unit (outside): bar
 Standardization: EN 837-1



Nominal diameter [mm]	Port	Min. main scale range of application [bar]	Max. main scale range of application [bar]	Min. main scale display range [bar]	Max. main scale display range [bar]	Min. working pressure [bar]	Max. working pressure [bar]	Part No.
40	G 1/8	0	8	0	10	0	10	R414010388

Scale value	Part No.
0.5	R414010388

Dimensions



1 = red 2 = green 3 = red

Pressure gauge, Series PG1-PAN-ADJ

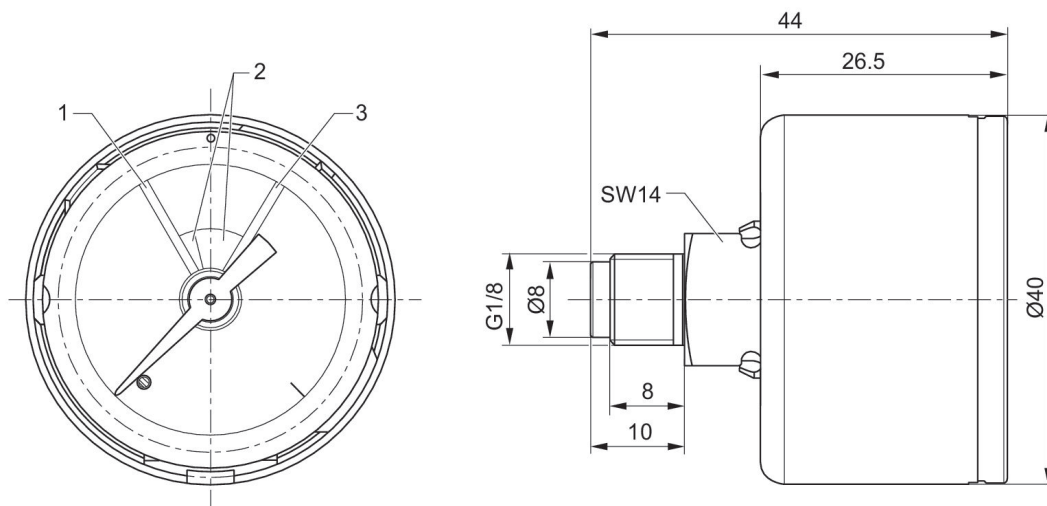
Background color: Black
 Scale color: Green
 Material viewing window: Polystyrene
 Main scale unit (outside): bar
 Standardization: EN 837-1



Nominal diameter [mm]	Port	Min. main scale range of application [bar]	Max. main scale range of application [bar]	Min. main scale display range [bar]	Max. main scale display range [bar]	Min. working pressure [bar]	Max. working pressure [bar]	Part No.
40	G 1/8	0	12	0	16	0	10	R414010389

Scale value	Part No.
0.5	R414010389

Dimensions



1 = red 2 = green 3 = red

Pressure gauge, Series PG1-PAN-ADJ

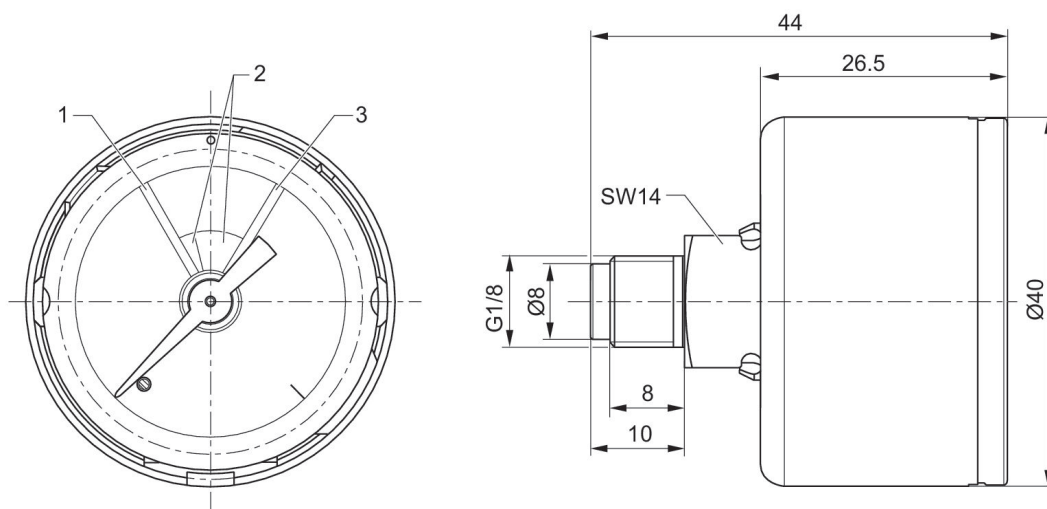
Background color: Black
 Scale color: Green
 Material viewing window: Polystyrene
 Main scale unit (outside): bar
 Standardization: EN 837-1



Nominal diameter [mm]	Port	Min. main scale range of application [bar]	Max. main scale range of application [bar]	Min. main scale display range [bar]	Max. main scale display range [bar]	Min. working pressure [bar]	Max. working pressure [bar]	Part No.
40	G 1/8	0	2	0	2.5	0	10	R414010400

Scale value	Part No.
0.1	R414010400

Dimensions



1 = red 2 = green 3 = red

Pressure gauge, Series PG1-PAN-ADJ

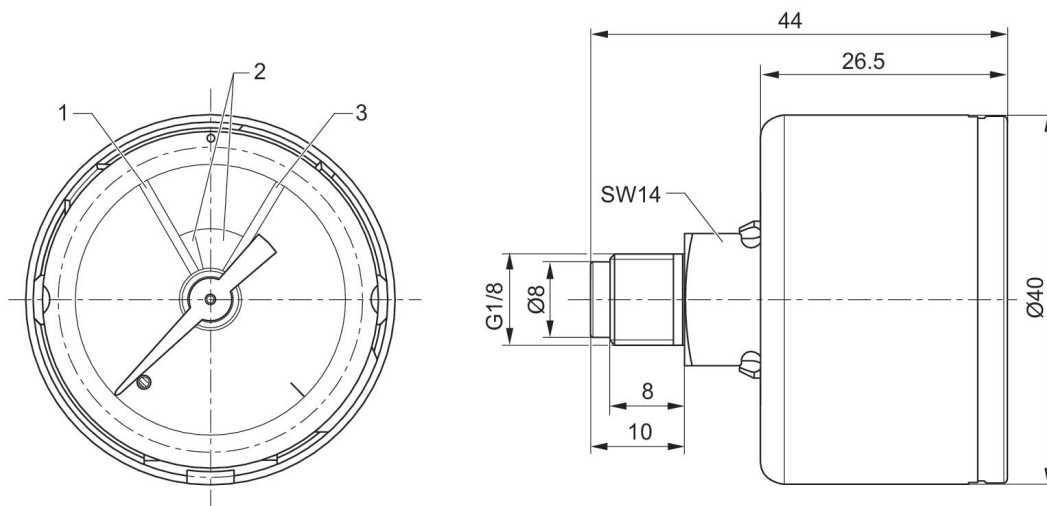
Background color: Black
 Scale color: Green
 Material viewing window: Polystyrene
 Main scale unit (outside): bar
 Standardization: EN 837-1



Nominal diameter [mm]	Port	Min. main scale range of application [bar]	Max. main scale range of application [bar]	Min. main scale display range [bar]	Max. main scale display range [bar]	Min. working pressure [bar]	Max. working pressure [bar]	Part No.
40	G 1/8	0	4	0	6	0	10	R414010399

Scale value	Part No.
0.2	R414010399

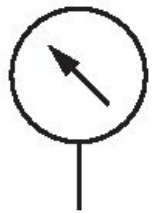
Dimensions



1 = red 2 = green 3 = red

Pressure gauge, Series PG1-PAN-ADJ

Background color: Black
 Scale color: Green
 Material viewing window: Polystyrene
 Main scale unit (outside): bar
 Standardization: EN 837-1

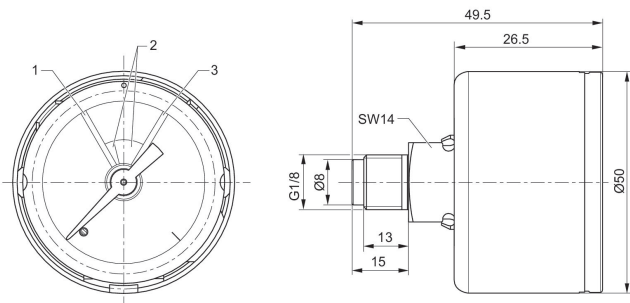


Nominal diameter [mm]	Port	Min. main scale range of application [bar]	Max. main scale range of application [bar]	Min. main scale display range [bar]	Max. main scale display range [bar]	Min. working pressure [bar]	Max. working pressure [bar]	Part No.
50	G 1/4	0	8	0	10	0	10	R414010392
63	G 1/4	0	8	0	10	0	10	R414010396

Scale value	Part No.
0.05	R414010392
0.5	R414010396

R414010392

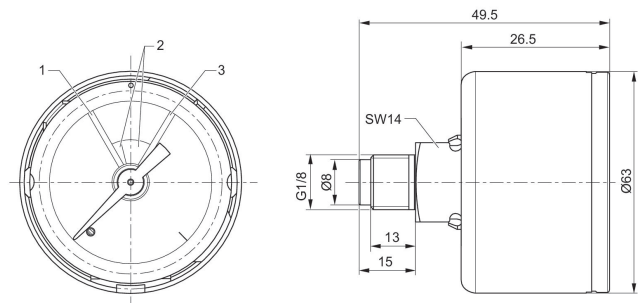
Dimensions



1 = red 2 = green 3 = red

R414010396

Dimensions



1 = red 2 = green 3 = red

Pressure gauge, Series PG1-PAN-ADJ

Background color: Black
 Scale color: Green
 Material viewing window: Polystyrene
 Main scale unit (outside): bar
 Standardization: EN 837-1

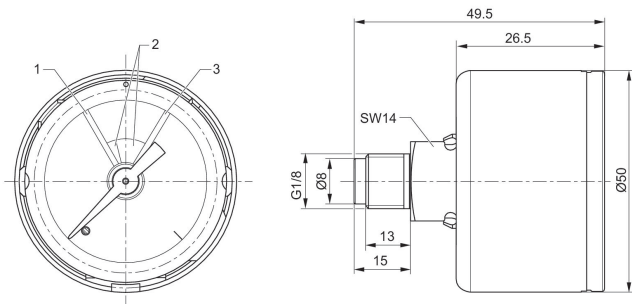


Nominal diameter [mm]	Port	Min. main scale range of application [bar]	Max. main scale range of application [bar]	Min. main scale display range [bar]	Max. main scale display range [bar]	Min. working pressure [bar]	Max. working pressure [bar]	Part No.
50	G 1/4	0	2	0	2.5	0	10	R414010390
63	G 1/4	0	2	0	2.5	0	10	R414010394

Scale value	Part No.
0.1	R414010390
0.1	R414010394

R414010390

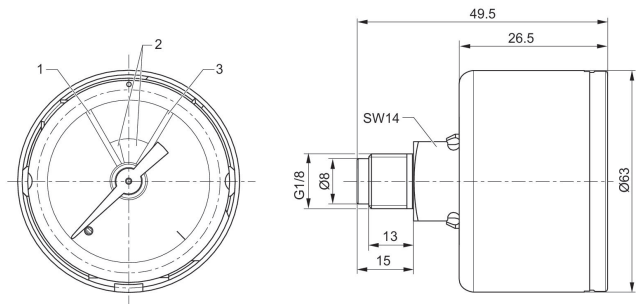
Dimensions



1 = red 2 = green 3 = red

R414010394

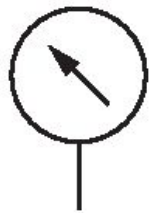
Dimensions



1 = red 2 = green 3 = red

Pressure gauge, Series PG1-PAN-ADJ

Background color: Black
 Scale color: Green
 Material viewing window: Polystyrene
 Main scale unit (outside): bar
 Standardization: EN 837-1

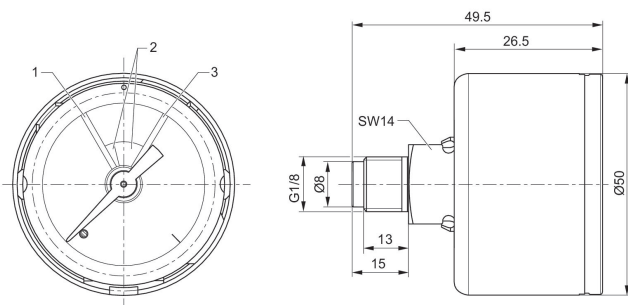


Nominal diameter [mm]	Port	Min. main scale range of application [bar]	Max. main scale range of application [bar]	Min. main scale display range [bar]	Max. main scale display range [bar]	Min. working pressure [bar]	Max. working pressure [bar]	Part No.
50	G 1/4	0	4	0	6	0	10	R414010391
63	G 1/4	0	4	0	6	0	10	R414010395

Scale value	Part No.
0.2	R414010391
0.2	R414010395

R414010391

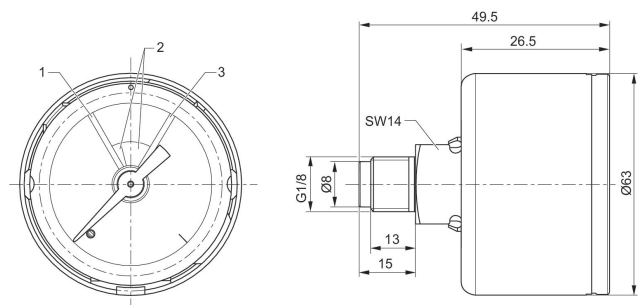
Dimensions



1 = red 2 = green 3 = red

R414010395

Dimensions



1 = red 2 = green 3 = red

Pressure gauge, Series PG1-SFB

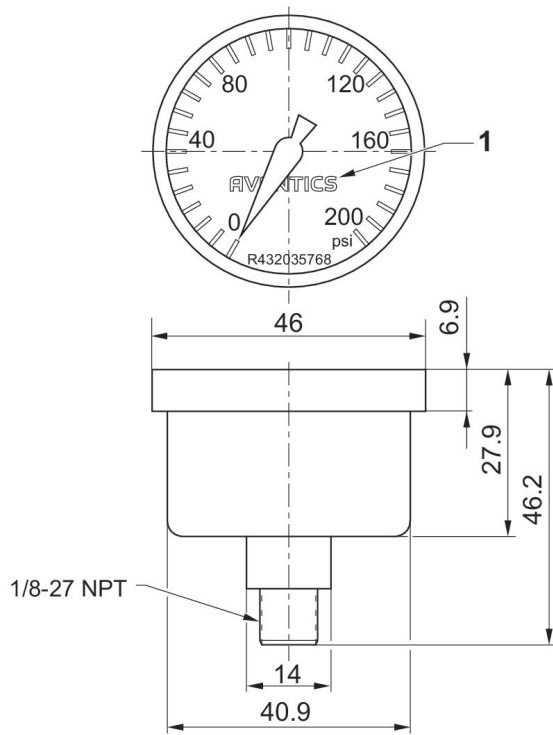
Background color: White
 Scale color: Black
 Material viewing window: Safety glass
 Main scale unit (outside): psi



Nominal diameter [mm]	Port	Min. main scale range of application [psi]	Max. main scale range of application [psi]	Min. main scale display range [psi]	Max. main scale display range [psi]	Min. working pressure [bar]	Max. working pressure [bar]	Part No.
40	1/8 NPT	0	130	0	200	0	13.79	R432035768

Scale value	Part No.
5	R432035768

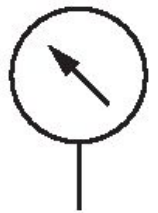
Dimensions



Safety glass viewing window

Pressure gauge, Series PG1-SFB

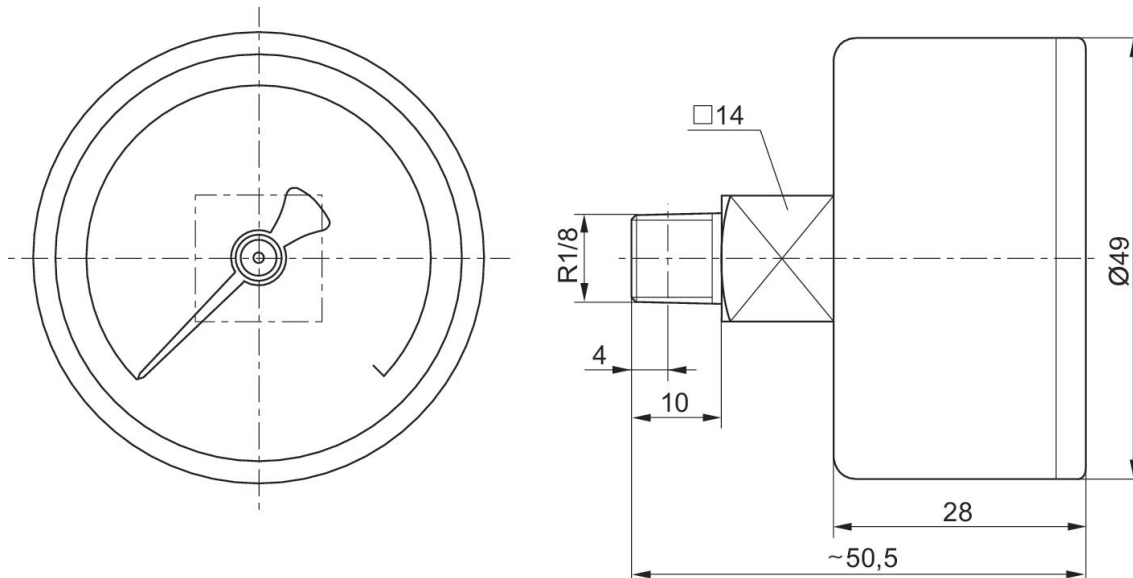
Background color: White
 Scale color: Black
 Main scale unit (outside): bar
 Secondary scale unit (inside): psi
 Standardization: EN 837-1



Nominal diameter [mm]	Port	Min. main scale range of application [bar]	Max. main scale range of application [bar]	Min. main scale display range [bar]	Max. main scale display range [bar]	Min. working pressure [bar]	Max. working pressure [bar]	Part No.
50	R 1/8	0	10	0	12	0	12	R412010678

Scale value	Part No.
0.2	R412010678

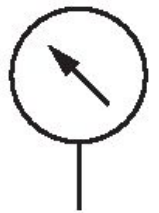
Dimensions in mm



Polycarbonate viewing window

Pressure gauge, Series PG1-SFB

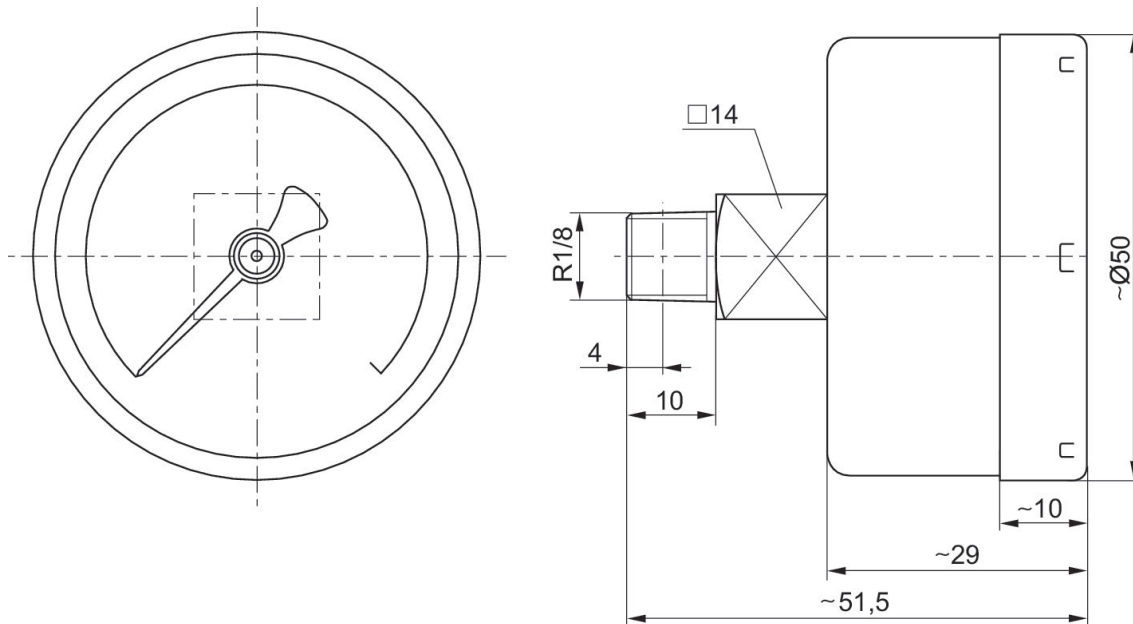
Background color: White
 Scale color: Black
 Main scale unit (outside): bar
 Secondary scale unit (inside): psi
 Standardization: EN 837-1



Nominal diameter [mm]	Port	Min. main scale range of application [bar]	Max. main scale range of application [bar]	Min. main scale display range [bar]	Max. main scale display range [bar]	Min. working pressure [bar]	Max. working pressure [bar]	Part No.
50	R 1/8	0	10	0	12	0	12	R412010679

Scale value	Part No.
0.2	R412010679

Dimensions in mm



Safety glass viewing window

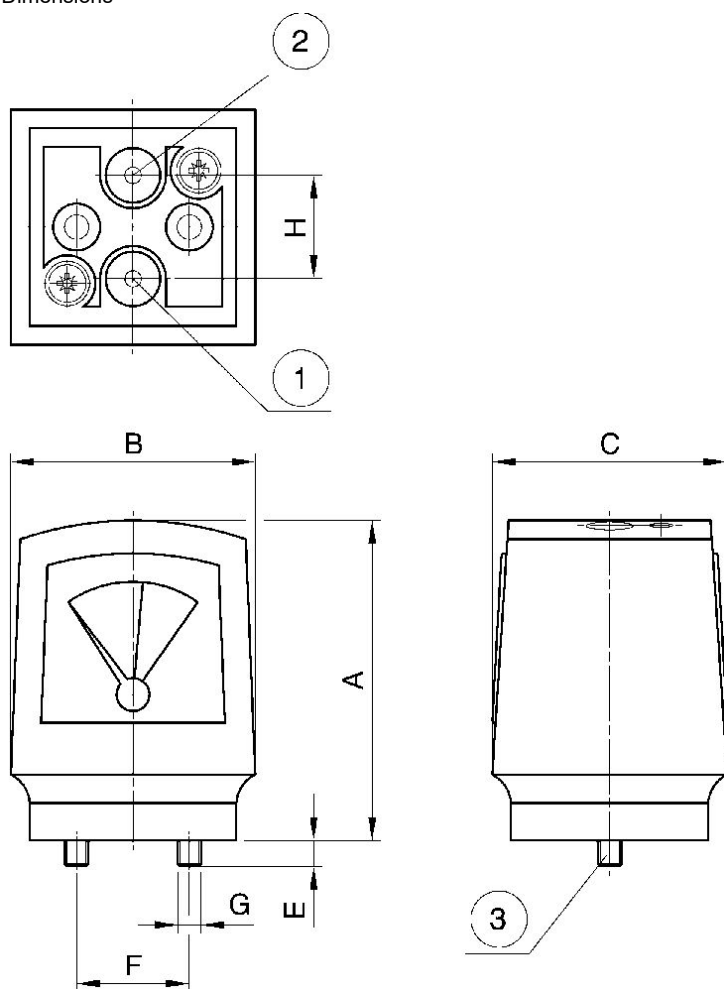
Pressure gauge, Series PG1-DIM

Background color: White
 Scale color: Black
 Material viewing window: Polystyrene
 Main scale unit (outside): bar



Min. main scale range of application [bar]	Max. main scale range of application [bar]	Min. main scale display range [bar]	Max. main scale display range [bar]	Min. working pressure [bar]	Max. working pressure [bar]	Scale value	Certification	Part No.
0	0.5	0	0.5	0	16	0.1	Suitable for ATEX	1827231072

Dimensions



- 1) Input pressure p1 2) Output pressure p2
- 3) Mounting screw and 2 O-rings included in scope of delivery

Dimensions in mm

Part No.	A	B	C	E	F	G	H
1827231072	68	52	50	6	24	M5	22

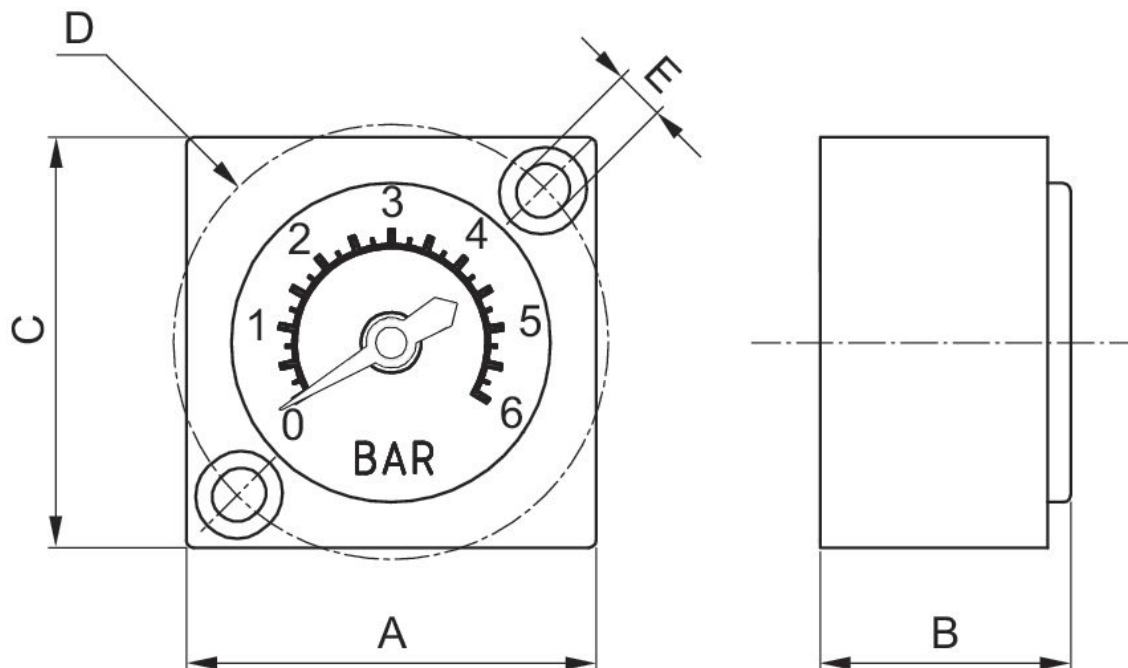
Pressure gauge, Series PG1-INT

Type: For panel installation
 Background color: White
 Scale color: Black
 Material viewing window: Polycarbonate
 Main scale unit (outside): bar



Min. main scale range of application [bar]	Max. main scale range of application [bar]	Min. main scale display range [bar]	Max. main scale display range [bar]	Min. working pressure [bar]	Max. working pressure [bar]	Scale value	Part No.
0	6	0	6	0	6	0.25	R412014760

Dimensions



Dimensions in mm

Part No.	A	B	C	D	E
R412014760	27	16.5	27	28.3	3.3

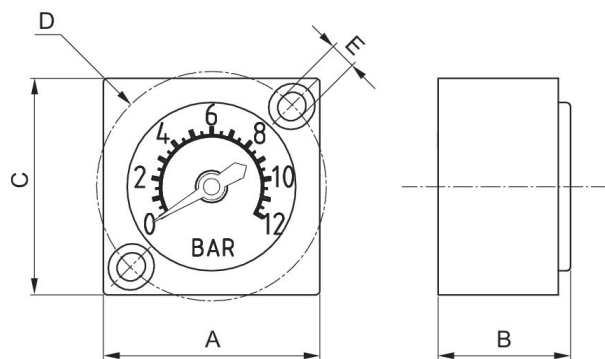
Pressure gauge, Series PG1-INT

Type: For panel installation
 Background color: White
 Scale color: Black
 Material viewing window: Polycarbonate
 Main scale unit (outside): bar



Min. main scale range of application [bar]	Max. main scale range of application [bar]	Min. main scale display range [bar]	Max. main scale display range [bar]	Min. working pressure [bar]	Max. working pressure [bar]	Scale value	Part No.
0	12	0	12	0	12	0.25	R412014761

Dimensions



Dimensions in mm

Part No.	A	B	C	D	E
R412014761	27	16.5	27	28.3	3.3

Pressure gauge, Series PG1-LIG

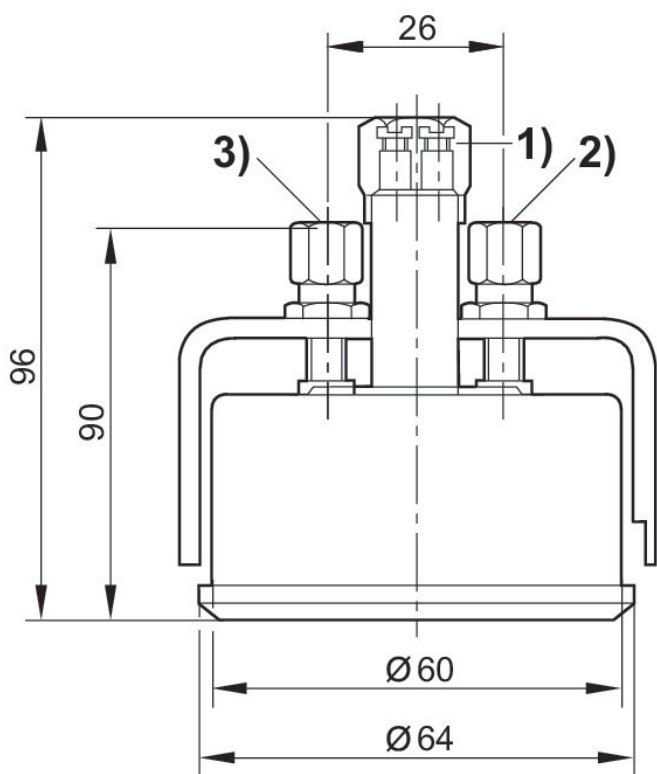
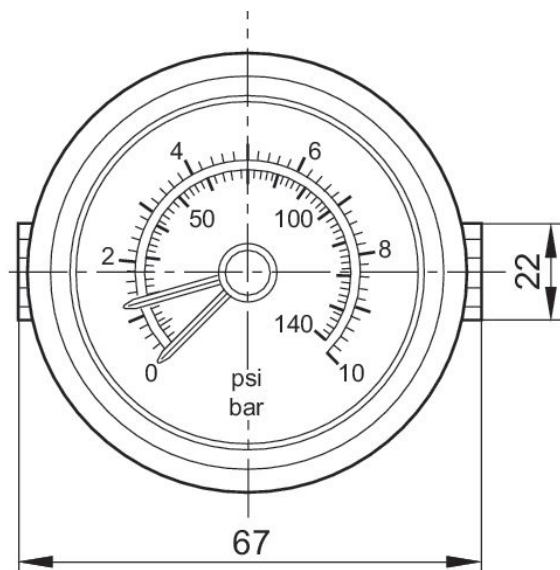
Background color: White
 Scale color: Black
 Material viewing window: glass
 Main scale unit (outside): bar
 Secondary scale unit (inside): psi



Nominal diameter [mm]	Port	Min. main scale range of application [bar]	Max. main scale range of application [bar]	Min. main scale display range [bar]	Max. main scale display range [bar]	Min. working pressure [bar]	Max. working pressure [bar]	Part No.
60	Ø 6x1	0	8	0	10	0	10	3530040020

Scale value	Part No.
0.5	3530040020

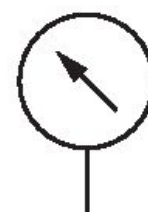
Dimensions



- 1) 2-pin lamp terminal 24 V/1.2 W
- 2) pipe connection for red pointer (bottom)
- 3) pipe connection for black pointer (top)

Pressure gauge, Series PG1-GLY

Background color: White
 Scale color: Black
 Material viewing window: Polystyrene
 Main scale unit (outside): bar
 Secondary scale unit (inside): psi
 Standardization: EN 837-1

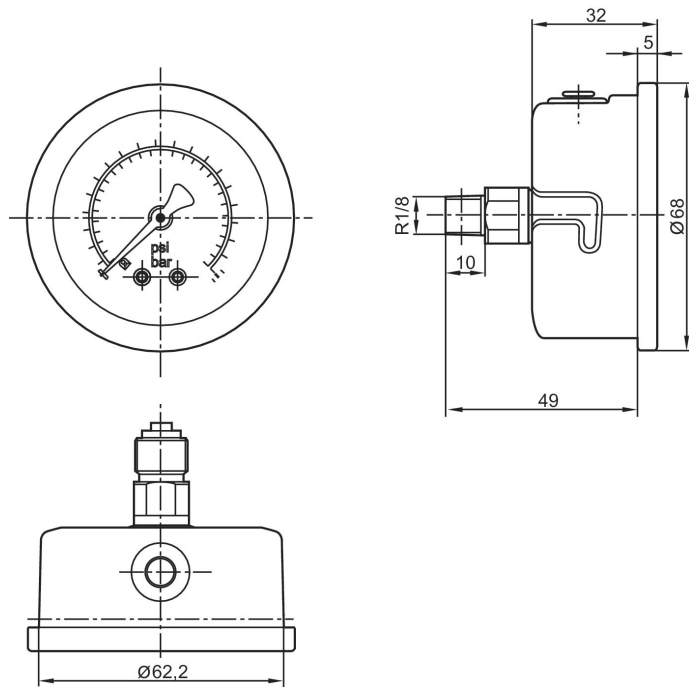


Nominal diameter [mm]	Port	Min. main scale range of application [bar]	Max. main scale range of application [bar]	Min. main scale display range [bar]	Max. main scale display range [bar]	Min. working pressure [bar]	Max. working pressure [bar]	Part No.
63	R 1/8	0	3	0	4	0	4	R412010126
63	G 1/4	0	3	0	4	0	4	R412010131

Scale value	Part No.
0.2	R412010126
0.2	R412010131

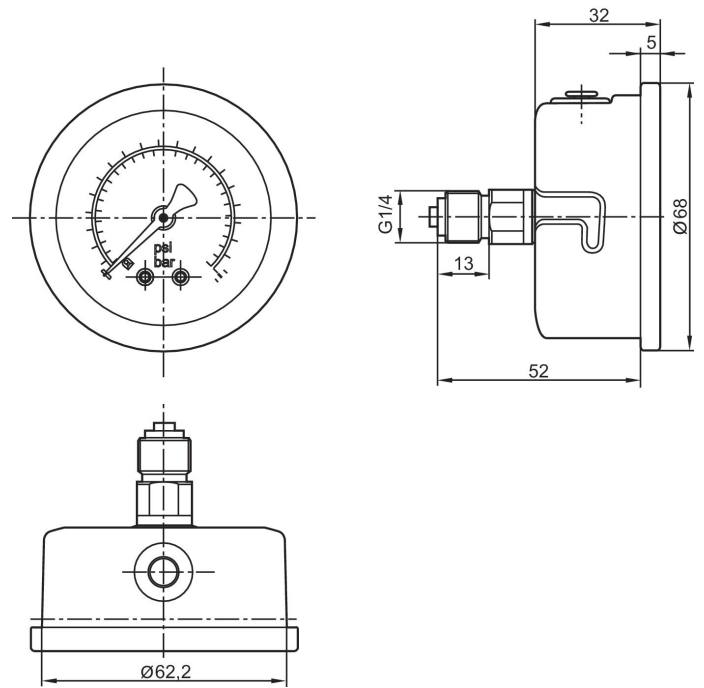
R412010126

Dimensions in mm



R412010131

Dimensions in mm



Pressure gauge, Series PG1-GLY

Background color: White
 Scale color: Black
 Material viewing window: Polystyrene
 Main scale unit (outside): bar
 Secondary scale unit (inside): psi
 Standardization: EN 837-1

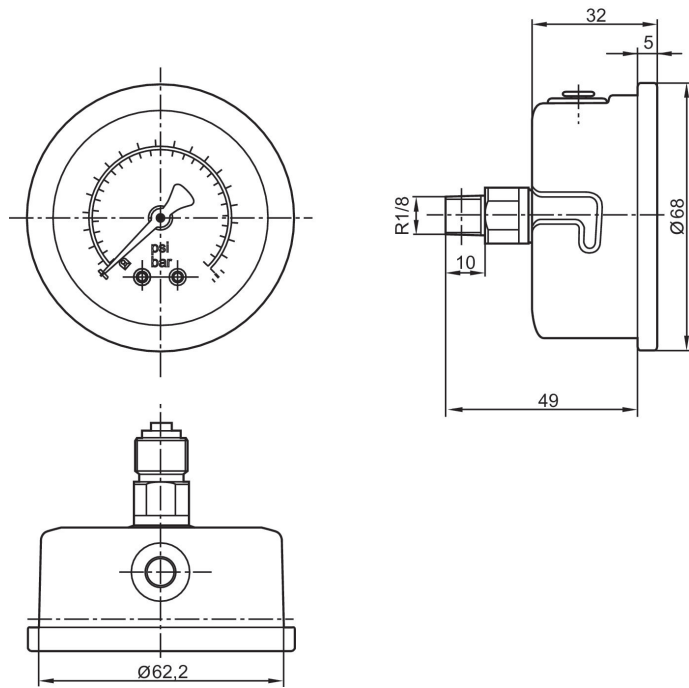


Nominal diameter [mm]	Port	Min. main scale range of application [bar]	Max. main scale range of application [bar]	Min. main scale display range [bar]	Max. main scale display range [bar]	Min. working pressure [bar]	Max. working pressure [bar]	Part No.
63	R 1/8	0	4	0	6	0	6	R412010127
63	G 1/4	0	4	0	6	0	6	R412010132

Scale value	Part No.
0.2	R412010127
0.2	R412010132

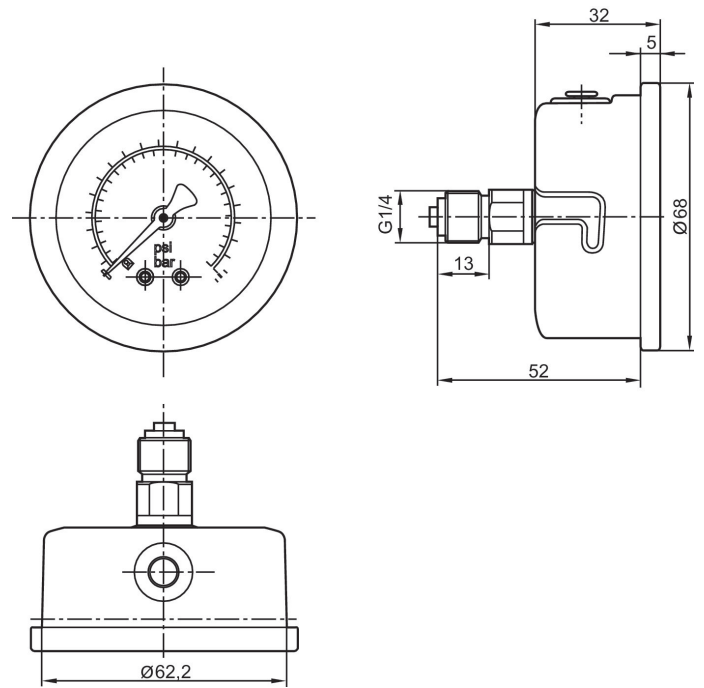
R412010127

Dimensions in mm



R412010132

Dimensions in mm



Pressure gauge, Series PG1-GLY

Background color: White
 Scale color: Black
 Material viewing window: Polystyrene
 Main scale unit (outside): bar
 Secondary scale unit (inside): psi
 Standardization: EN 837-1

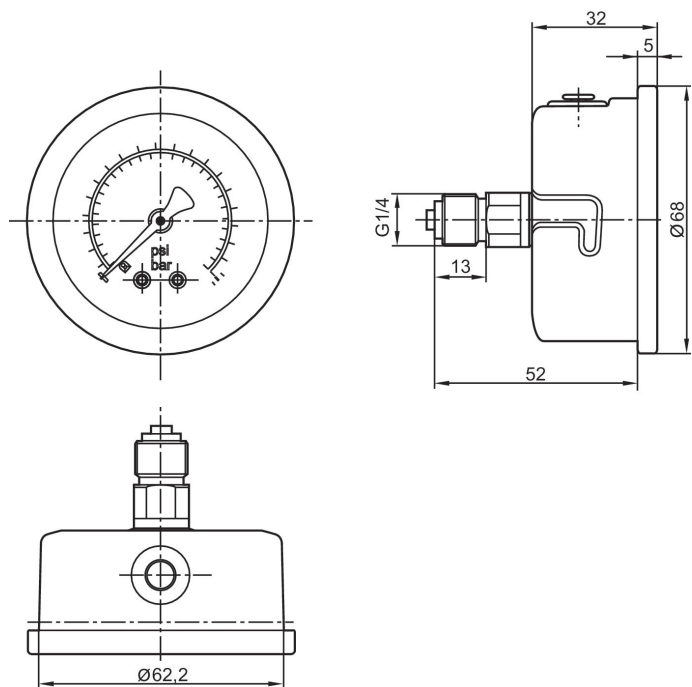


Nominal diameter [mm]	Port	Min. main scale range of application [bar]	Max. main scale range of application [bar]	Min. main scale display range [bar]	Max. main scale display range [bar]	Min. working pressure [bar]	Max. working pressure [bar]	Part No.
63	R 1/8	0	8	0	10	0	10	R412010128
63	G 1/4	0	8	0	10	0	10	R412010133

Scale value	Part No.
0.5	R412010128
0.5	R412010133

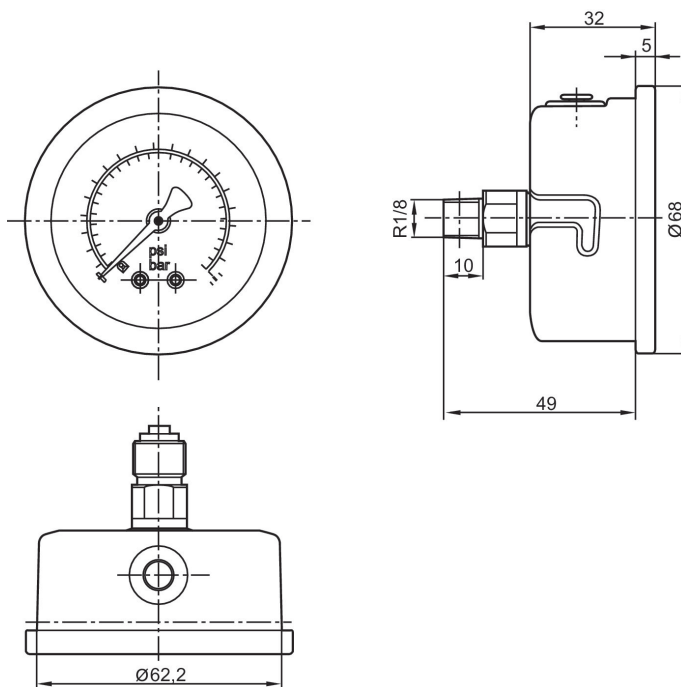
R412010128

Dimensions in mm



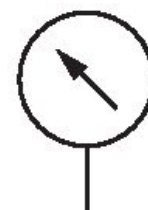
R412010133

Dimensions in mm



Pressure gauge, Series PG1-GLY

Background color: White
 Scale color: Black
 Material viewing window: Polystyrene
 Main scale unit (outside): bar
 Secondary scale unit (inside): psi
 Standardization: EN 837-1

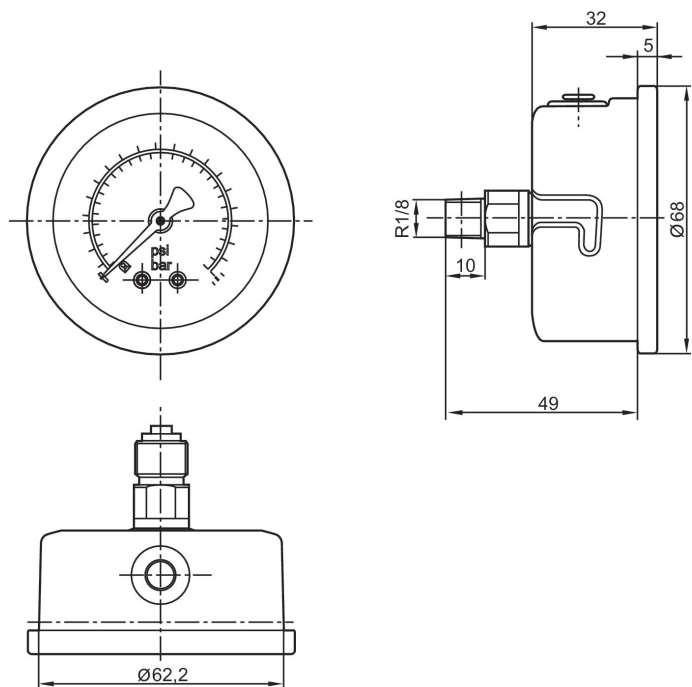


Nominal diameter [mm]	Port	Min. main scale range of application [bar]	Max. main scale range of application [bar]	Min. main scale display range [bar]	Max. main scale display range [bar]	Min. working pressure [bar]	Max. working pressure [bar]	Part No.
63	R 1/8	0	12	0	16	0	16	R412010129
63	R 1/8	0	12	0	16	0	16	R412010130
63	G 1/4	0	12	0	16	0	16	R412010134

Scale value	Part No.
0.5	R412010129
0.5	R412010130
0.5	R412010134

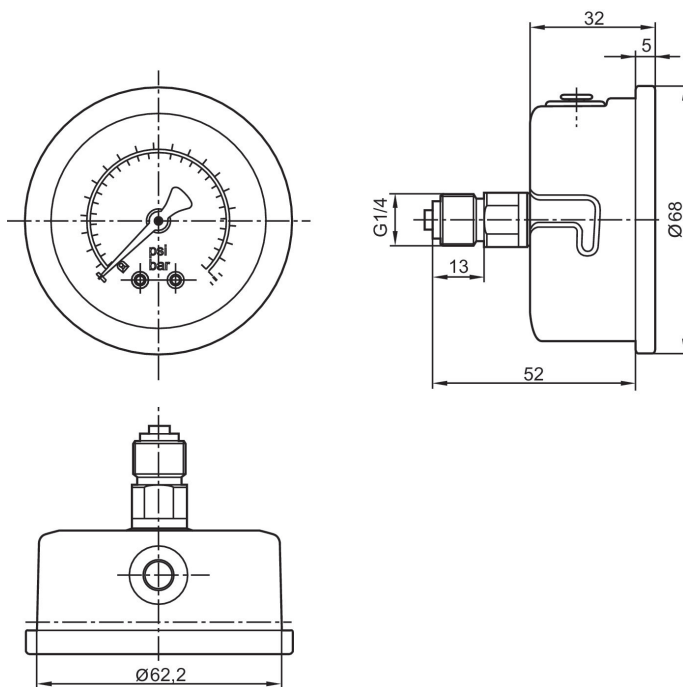
R412010129, R412010130

Dimensions in mm



R412010134

Dimensions in mm



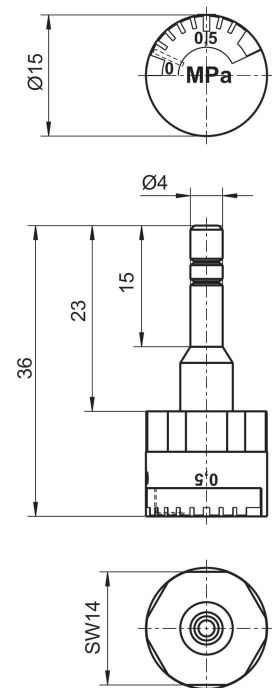
Pressure gauge, Series PG1-ROB

Background color: Black
Scale color: White
Main scale unit (outside): MPa



Nominal diameter [mm]	Port	Min. main scale range of application [bar]	Max. main scale range of application [bar]	Min. main scale display range [bar]	Max. main scale display range [bar]	Part No.
15	Ø 4	0	10	0	10	R412009413

Dimensions in mm



Pressure gauge

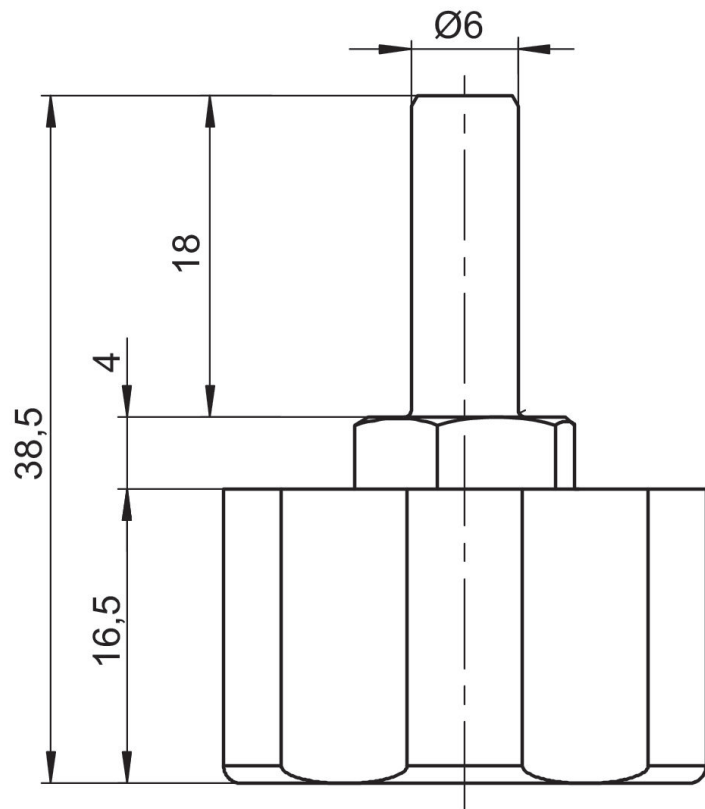
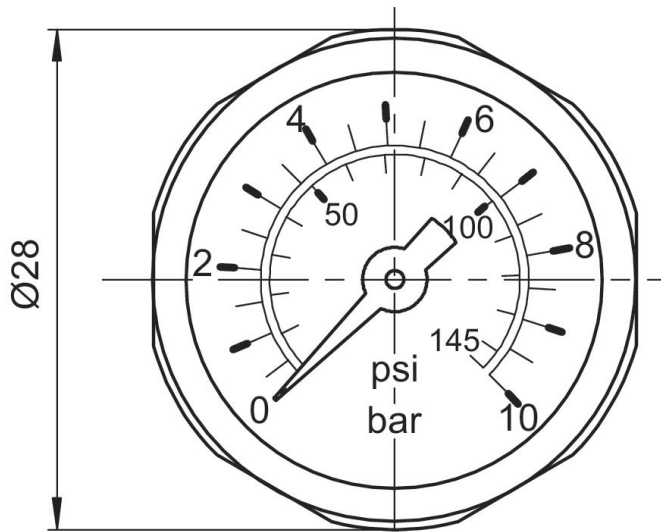
Background color: White
 Scale color: Black
 Main scale unit (outside): bar
 Secondary scale unit (inside): psi



Nominal diameter [mm]	Port	Min. main scale range of application [bar]	Max. main scale range of application [bar]	Min. main scale display range [bar]	Max. main scale display range [bar]	Min. working pressure [bar]	Max. working pressure [bar]	Part No.
28	Ø 6	0	10	0	10	0	10	3530200300
28	Ø 6	0	10	0	10	0	10	R412004883

Scale value	Part No.
	3530200300
1	R412004883

Dimensions in mm



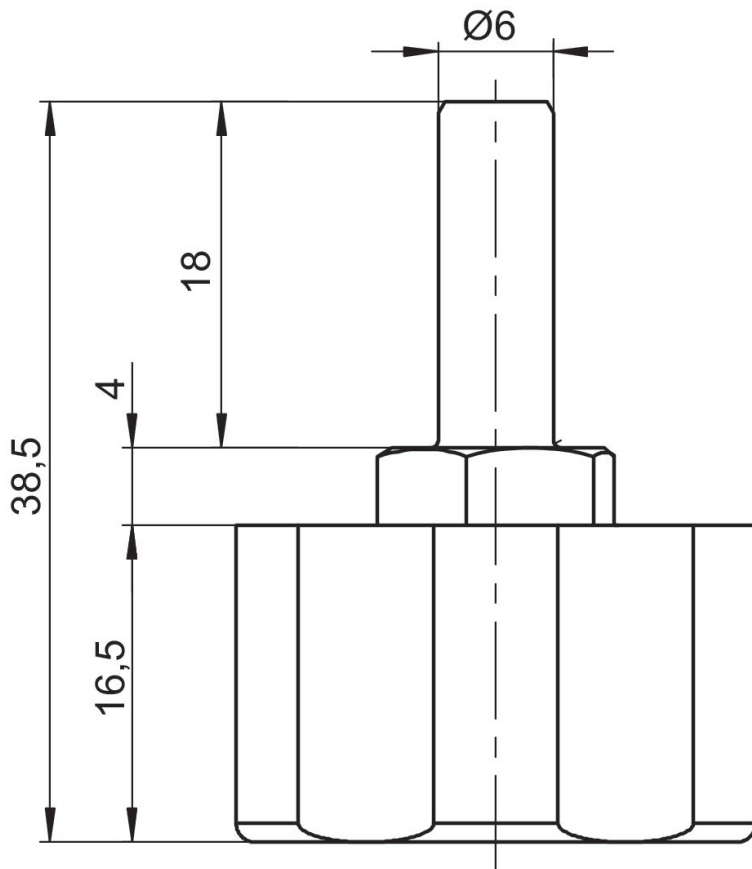
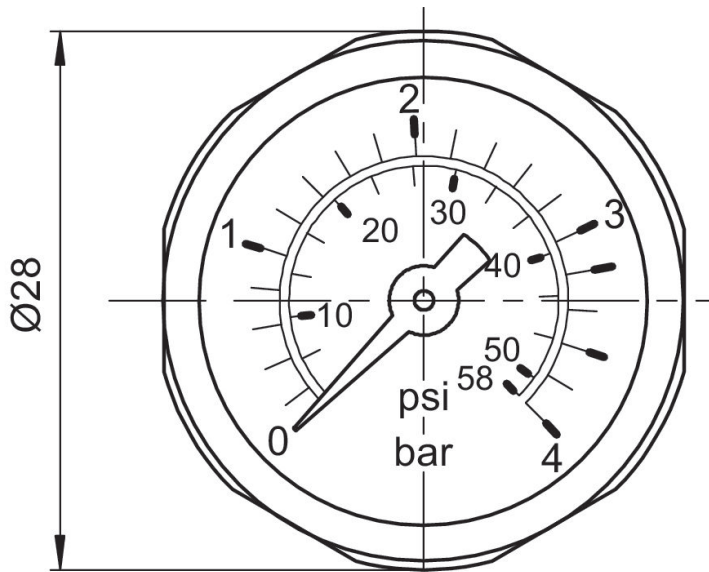
Pressure gauge

Background color: White
 Scale color: Black
 Main scale unit (outside): bar
 Secondary scale unit (inside): psi



Nominal diameter [mm]	Port	Min. main scale range of application [bar]	Max. main scale range of application [bar]	Min. main scale display range [bar]	Max. main scale display range [bar]	Min. working pressure [bar]	Max. working pressure [bar]	Part No.
28	Ø 6	0	4	0	4	0	4	R412003960

Dimensions in mm



Pressure gauge, Series PG1-ROU

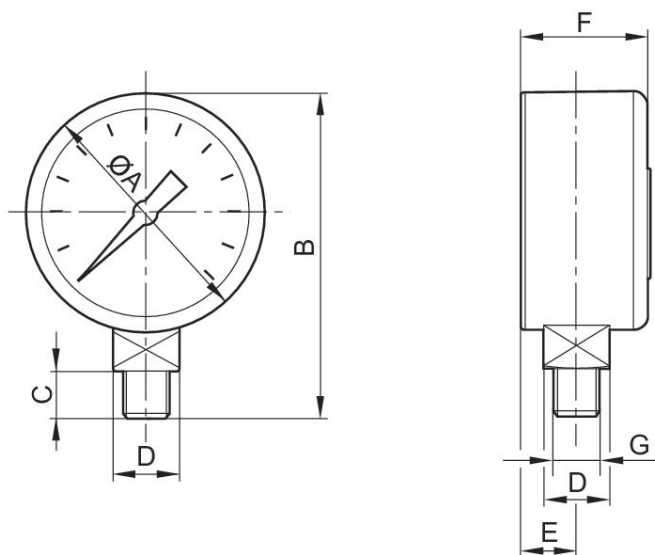
Background color: Black
 Scale color: White
 Material viewing window: Polystyrene
 Main scale unit (outside): bar
 Secondary scale unit (inside): psi
 Standardization: EN 837-1



Nominal diameter [mm]	Port	Min. main scale range of application [bar]	Max. main scale range of application [bar]	Min. main scale display range [bar]	Max. main scale display range [bar]	Min. working pressure [bar]	Max. working pressure [bar]	Part No.
50	R 1/8	0	10	0	12	0	12	8901703200

Scale value	Part No.
0.2	8901703200

Dimensions

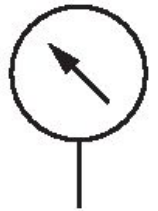


Dimensions in mm

Part No.	Compressed air connection	Nominal diameter	Ø A	B	C	D	F	E
8901703200	R 1/8	50 mm	50	66.5	10	SW14	27,5	10

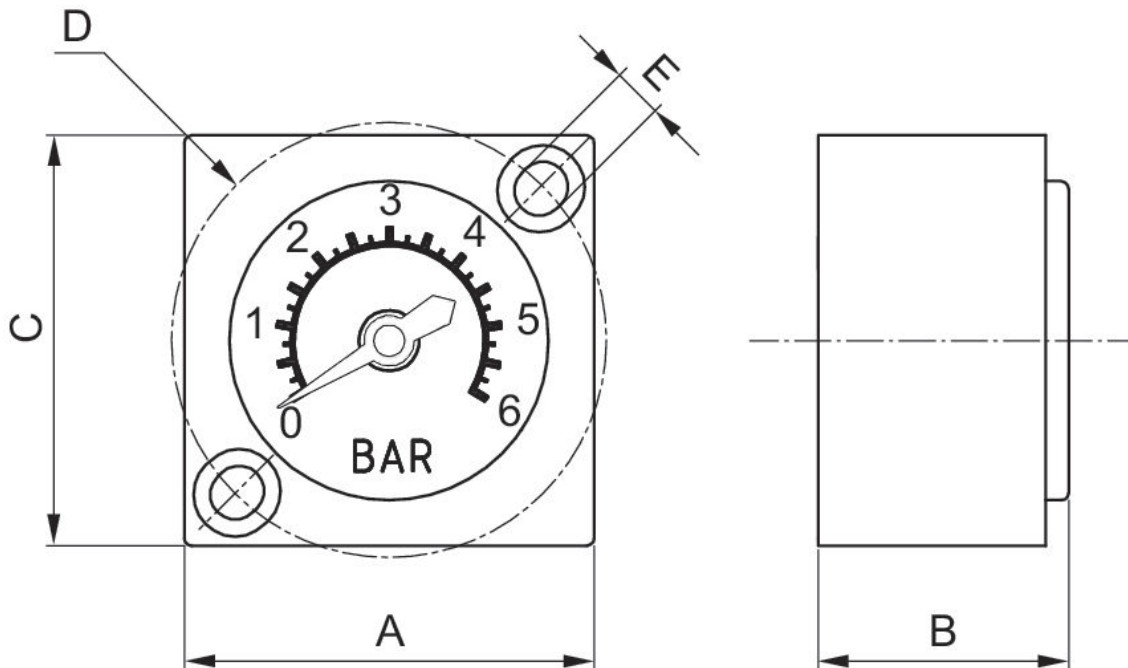
Pressure gauge, Series PG1-INT

Type: For panel installation
 Background color: White
 Scale color: Black
 Material viewing window: Polycarbonate
 Main scale unit (outside): bar



Min. main scale range of application [bar]	Max. main scale range of application [bar]	Min. main scale display range [bar]	Max. main scale display range [bar]	Min. working pressure [bar]	Max. working pressure [bar]	Scale value	Part No.
0	6	0	6	0	6	0.25	R412014760

Dimensions



Dimensions in mm

Part No.	A	B	C	D	E
R412014760	27	16.5	27	28.3	3.3

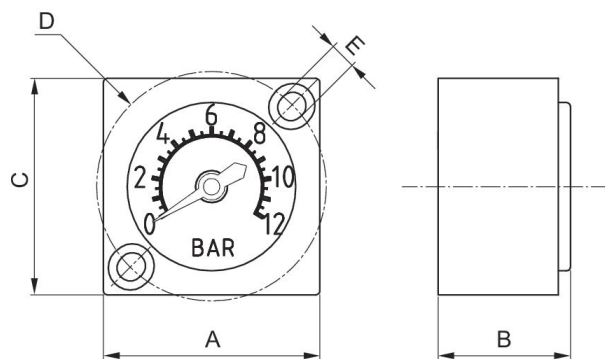
Pressure gauge, Series PG1-INT

Type: For panel installation
Background color: White
Scale color: Black
Material viewing window: Polycarbonate
Main scale unit (outside): bar



Min. main scale range of application [bar]	Max. main scale range of application [bar]	Min. main scale display range [bar]	Max. main scale display range [bar]	Min. working pressure [bar]	Max. working pressure [bar]	Scale value	Part No.
0	12	0	12	0	12	0.25	R412014761

Dimensions

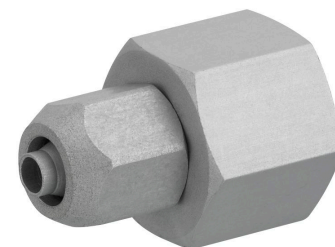


Dimensions in mm

Part No.	A	B	C	D	E
R412014761	27	16.5	27	28.3	3.3

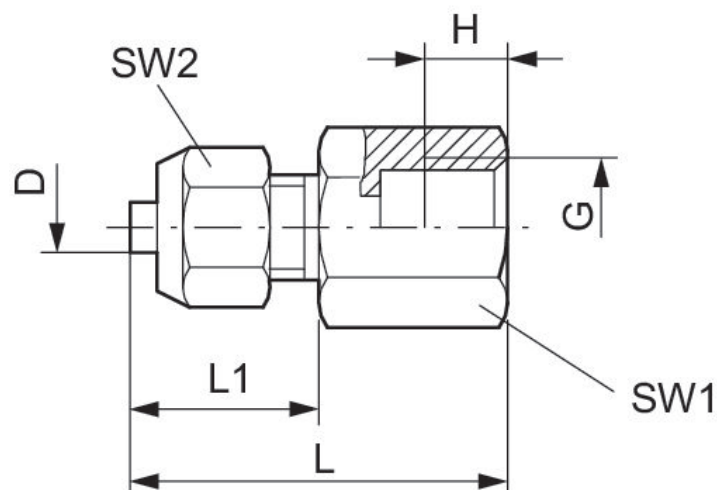
Series NU2

Compressed air connection type: Internal thread
 Compressed air connection type 2: plug-in with tube nut
 Ambient temperature min./max.: -10 °C ... 60 °C
 Working pressure min./max.: 0 bar ... 10 bar



G	Ø D	Delivery unit [piece]	Material	Part No.
G 1/4	Ø 4	10	Aluminum	1823391082
G 1/4	Ø 6	10	Aluminum	1823391083

Dimensions



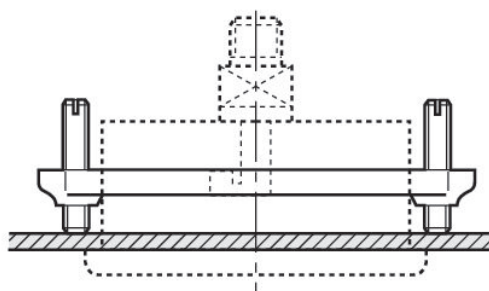
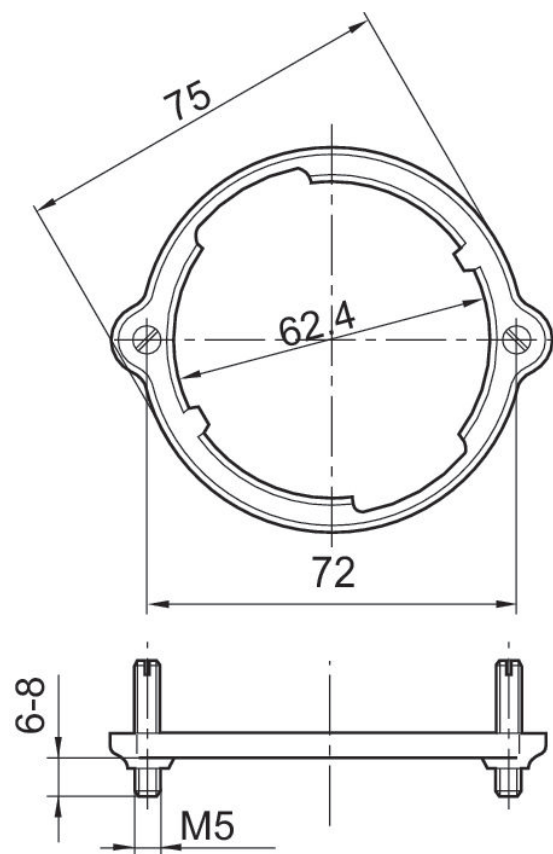
Part No.	Port D	Port G	H	L	L1	SW 1	SW 2
1823391082	Ø 4	G 1/4	8	27	13	17	11
1823391083	Ø 6	G 1/4	8	28	14	17	13

Connection D = inside diameter of the tubing to be used

Retaining ring, Series PG1-GLY



Material	Part No.
Steel, chrome-plated	3530132602



Sealing ring

Material: Copper

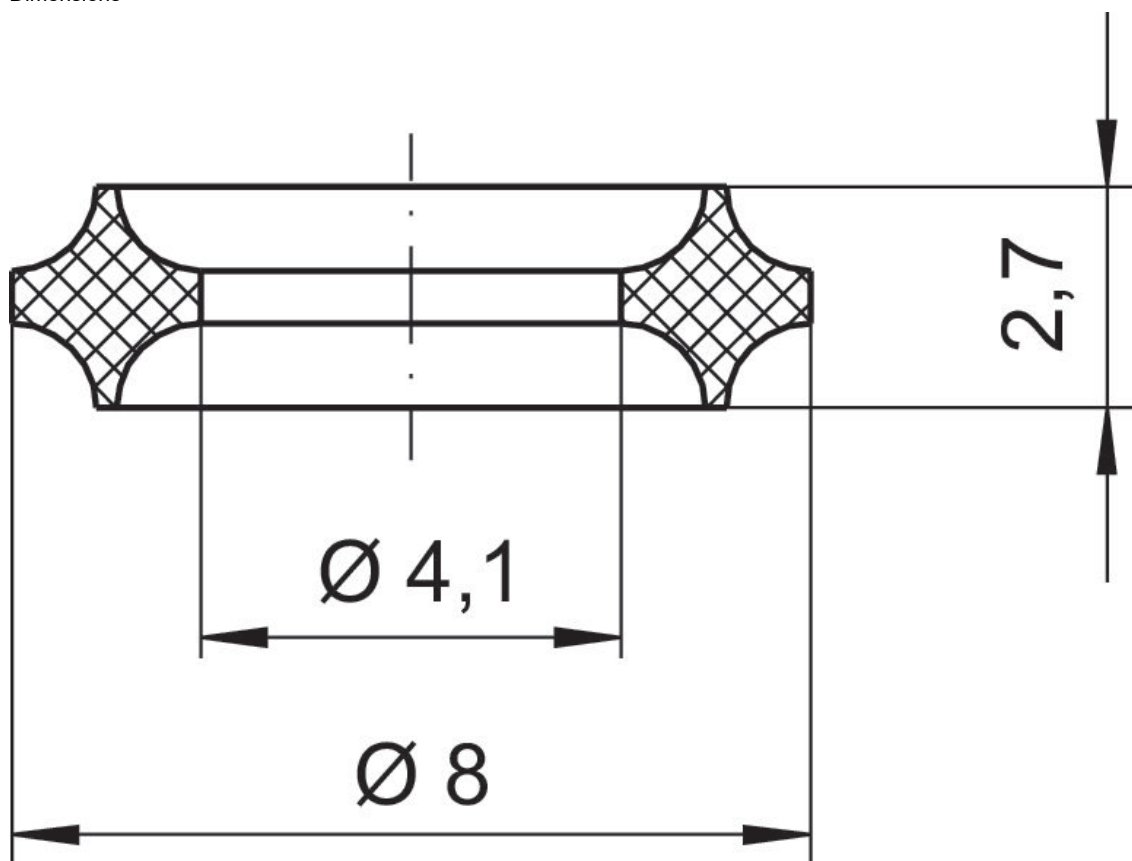
Ambient temperature min./max.: -20 °C ... 150 °C

Working pressure min./max.: -0.95 bar ... 15 bar



Compressed air connection	Delivery unit [piece]	Part No.
G 1/8	25	R412026149

Dimensions



Sealing ring

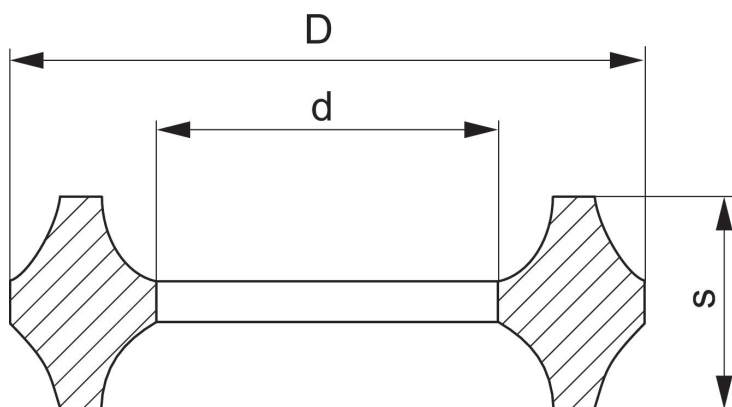
Material: Copper

Ambient temperature min./max.: -20 °C ... 150 °C

Working pressure min./max.: -0.95 bar ... 15 bar



Compressed air connection	Delivery unit [piece]	Part No.
G 1/4	25	1829202004



Part No.	G	Ød	ØD	s
1829202004	G1/4	5.2	9.5	3.2

G = thread size

Sealing ring

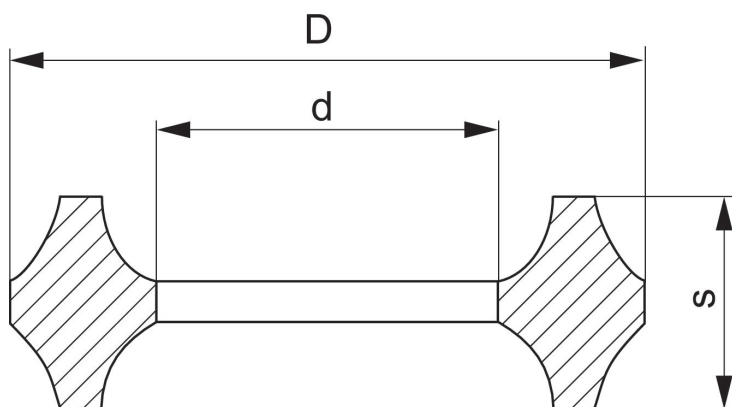
Material: Aluminum

Ambient temperature min./max.: -20 °C ... 100 °C

Working pressure min./max.: -0.95 bar ... 15 bar



Compressed air connection	Delivery unit [piece]	Part No.
G 1/4	10	8930601014







Part No.	G	Ød	ØD	s
8930601014	G1/4	6	11	3.5

G = thread size

Efficient pneumatic solutions, our program:
cylinders and drives, valves and valve systems,
air supply management, proportional pressure
control valves



Visit us: www.Emerson.com/aventics
Your local contact: Emerson.com/contactus

-  Emerson.com
-  Facebook.com/EmersonAutomationSolutions
-  LinkedIn.com/company/Emerson-Automation-Solutions
-  Twitter.com/EMR_Automation



The Emerson logo is a trademark and service mark of Emerson Electric Co. AVENTICS is a registered trademark of one of the Emerson family of companies. All other trademarks are the property of their respective owners. © 2020 Emerson Electric Co. All rights reserved.



CONSIDER IT SOLVED™