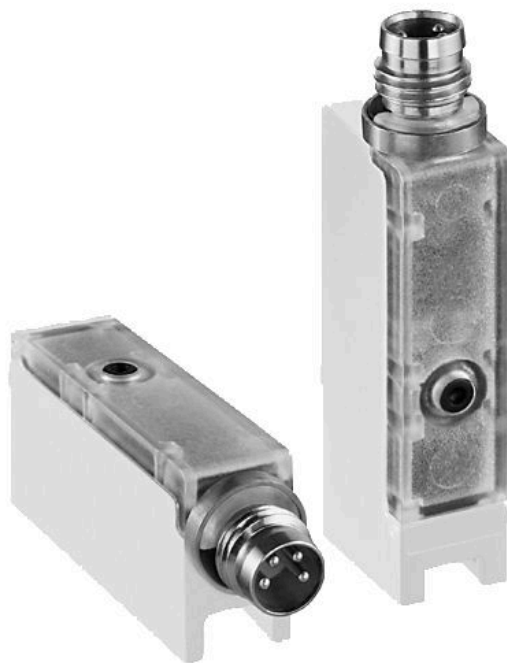


PE6



AVENTICS™

AVENTICS PE6 系列压力传感器



系列 PE6

安沃驰 PE6 系列电子压力传感器结合了电子精确度和多种功能，具有极高的用户易用性。

- 提供两种外壳选项（垂直或水平）
- 开关精度高的电子传感器
- 两种开关量输出，2x PNP 形成触点 (NO)
- 迟滞固定或可调整的压力传感器
- 使用附加配件灵活装配



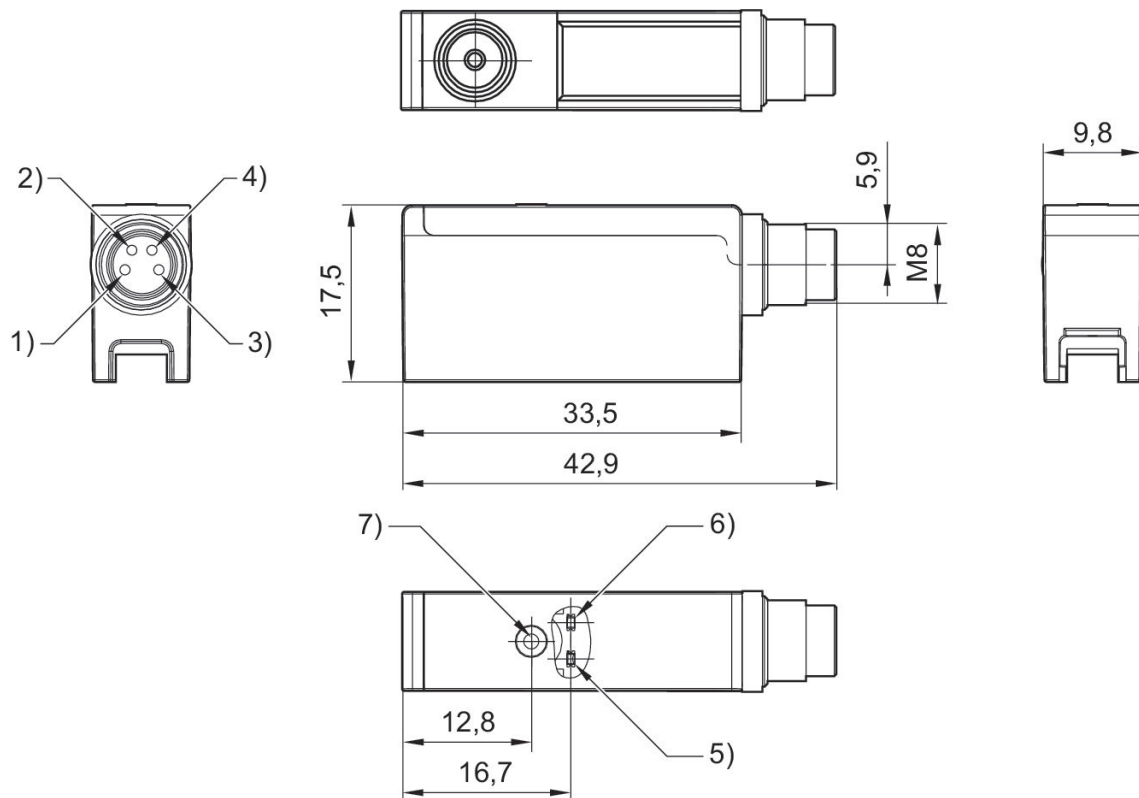
压力传感器, 系列 PE6

多芯插头
M8x1
带O形环的法兰
4-针



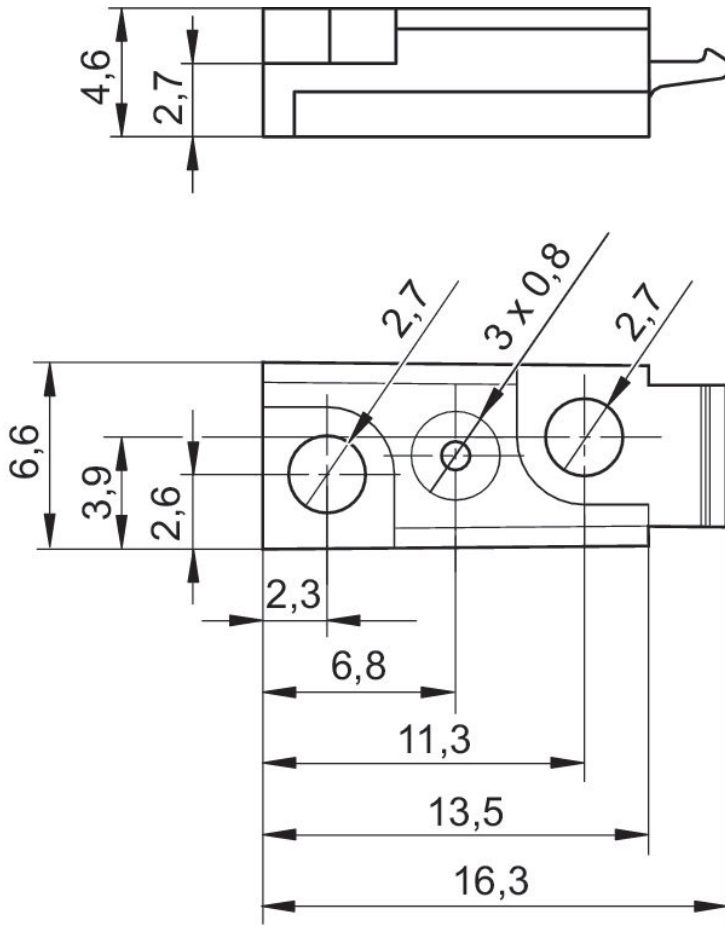
螺纹接口	开关压力, 最小值/ [bar]	开关压力, 最大值 [bar]	超_压_保_险	输出信号 数字化	滞环	安装位置	物料号
Ø 1,2x1	-1	0	5 bar	2 x PNP	终值的2%, 固定	L (横向)	R412007880
Ø 1,2x1	-1	0	5 bar	2 x PNP	可调节的	L (横向)	R412007881
Ø 1,2x1	-1	0	5 bar	2 x PNP	终值的2%, 固定	S (纵向)	R412007882
Ø 1,2x1	0	10	15 bar	2 x PNP	终值的2%, 固定	L (横向)	R412007884
Ø 1,2x1	0	10	15 bar	2 x PNP	可调节的	L (横向)	R412007885
Ø 1,2x1	0	10	15 bar	2 x PNP	终值的2%, 固定	S (纵向)	R412007886
Ø 1,2x1	0	10	15 bar	2 x PNP	可调节的	S (纵向)	R412007887

PE6...-L

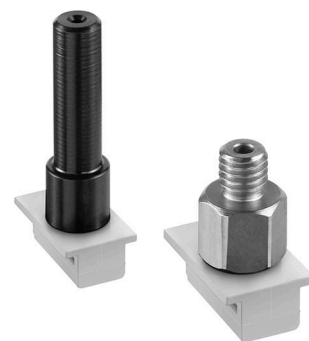


- 1) +UB
- 2) 输出开关 2
- 3) GND
- 4) 输出开关 1
- 5) 输出开关2上的发光二极管 ; 6) 输出开关1上的发光二极管 7) 调节钮

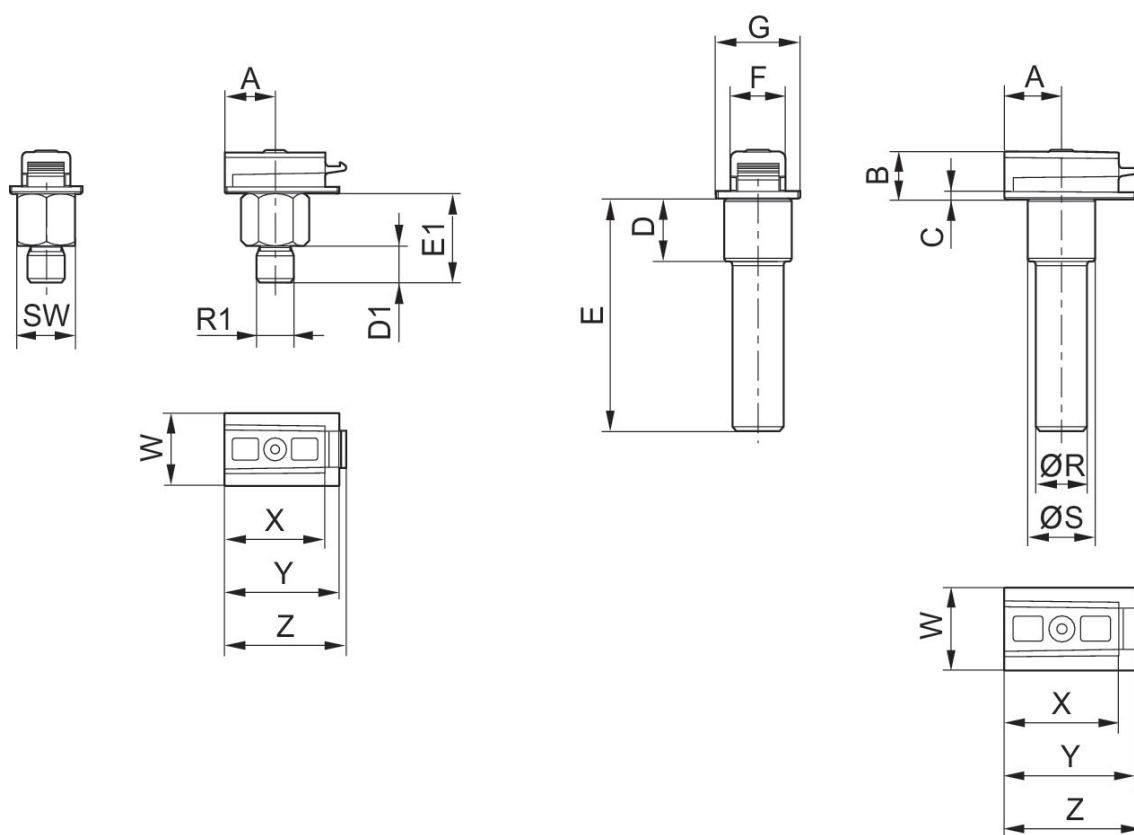
法兰板



零件组, 系列 PE6



物料号
R412007888



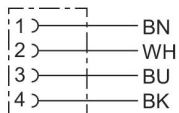
物料号	A	B	C	D	D1	E	E1	F	G	SW
R412007888	6,8	5,6	1	7,3	5	27,3	12	6,6	9,8	8

ØR	R1	ØS	W	X	Y	Z
6	M5	8	9,8	13,5	15,4	16,2

材料：法兰：聚碳酸酯，管子：聚甲醛，螺纹 M5：铝，O形环：氢化-丙烯腈-树脂

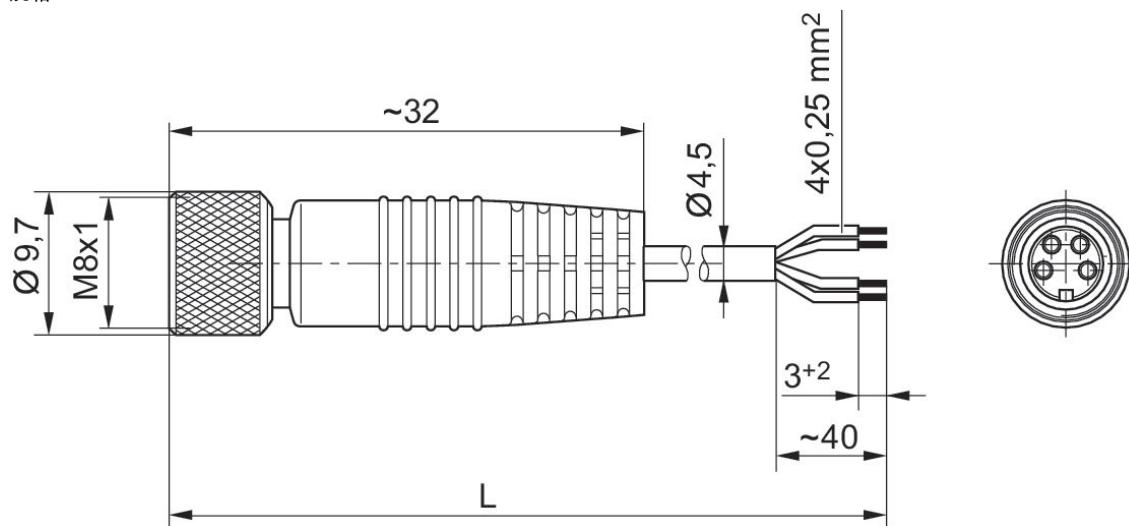
圆形插头, 系列 CON-RD

多针插头
M8x1
4-针



额定电压	电流 [A]	屏蔽	电气连接 1, 类型	电气连接 1, 螺纹尺寸	电气连接 1, 编码	电气连接 2, 类型	电缆长度 [m]	电缆直径-Ø [mm]	导线截面 [mm²]	最低环境温度 [°C]	最高环境温度 [°C]	物料号
48 V AC/DC	4	未屏蔽	多针插头	M8x1	A-编码	开放式电缆终端	3	4.5	0.25	-40	85	1834484144
48 V AC/DC	4	未屏蔽	多针插头	M8x1	A-编码	开放式电缆终端	5	4.5	0.25	-40	85	1834484146

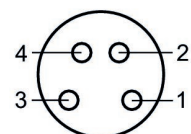
规格



L = 长度

1834484144, 1834484146

极点图插座



(1) BN=棕色 (2) WH=白色 (3) BU=蓝色 (4) BK=黑色

圆形插头, 系列 CON-RD

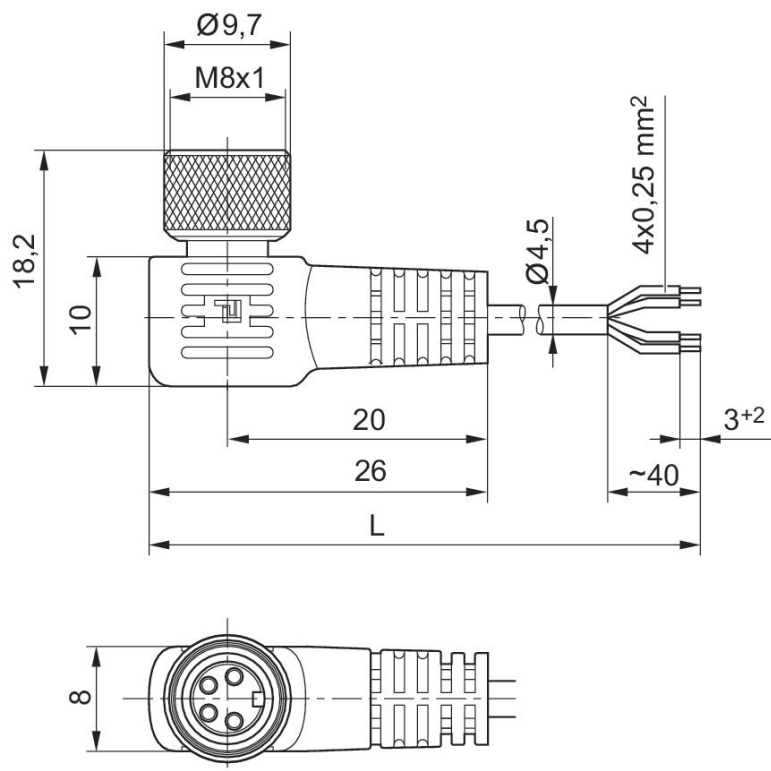
多针插头
M8x1
4-针

- 1) — BN
- 2) — WH
- 3) — BU
- 4) — BK



额定电压	电流 [A]	屏蔽	电气连接 1, 类型	电气连接 1, 螺纹尺寸	电气连接 1, 编码	电气连接 2, 类型	电缆长度 [m]	电缆直径-Ø [mm]	导线截面 [mm²]	最低环境温度 [°C]	最高环境温度 [°C]	物料号
48 V AC/DC	4	未屏蔽	多针插头	M8x1	A-编码	开放式电缆终端	3	4.5	0.25	-25	85	1834484145
48 V AC/DC	4	未屏蔽	多针插头	M8x1	A-编码	开放式电缆终端	5	4.5	0.25	-25	85	1834484147

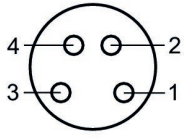
尺寸按mm



L = 长度

1834484145, 1834484147

极点图插座



(1) BN=棕色 (2) WH=白色 (3) BU=蓝色 (4) BK=黑色

Efficient pneumatic solutions, our program: cylinders and drives, valves and valve systems, air supply management



Visit us: [Emerson.com/Aventics](https://www.emerson.com/Aventics)

Your local contact: [Emerson.com/contactus](https://www.emerson.com/contactus)



[Emerson.com](https://www.emerson.com)



[Facebook.com/EmersonAutomationSolutions](https://www.facebook.com/EmersonAutomationSolutions)



[LinkedIn.com/company/Emerson-Automation-Solutions](https://www.linkedin.com/company/Emerson-Automation-Solutions)



[Twitter.com/EMR_Automation](https://twitter.com/EMR_Automation)

An example configuration is depicted on the title page. The delivered product may thus vary from that in the illustration. Subject to change. This Document, as well as the data, specifications and other information set forth in it, are the exclusive property of AVENTICS GmbH. It may not be reproduced or given to third parties without its consent. Only use the AVENTICS products shown in industrial applications. Read the product documentation completely and carefully before using the product. Observe the applicable regulations and laws of the respective country. When integrating the product into applications, note the system manufacturer's specifications for safe use of the product. The data specified only serve to describe the product. No statements concerning a certain condition or suitability for a certain application can be derived from our information. The information given does not release the user from the obligation of own judgment and verification. It must be remembered that the products are subject to a natural process of wear and aging.

The Emerson logo is a trademark and service mark of Emerson Electric Co. Brand logotype are registered trademarks of one of the Emerson family of companies. All other marks are the property of their respective owners. © 2019 Emerson Electric Co. All rights reserved.



CONSIDER IT SOLVED™