

PE6



AVENTICS™

**AVENTICS Series PE6 Pressure
sensors**


EMERSON™

Series PE6

The AVENTICS Series PE6 is an electronic pressure sensor, which combines electronic precision and versatile function with ideal user friendliness.

- Two housing options available (vertical or horizontal)
- Electronic sensor with high switching precision
- Two switch outputs, 2x PNP make contacts (NO)
- Pressure sensor with fixed or adjustable hysteresis
- Flexible assembly using additional accessories



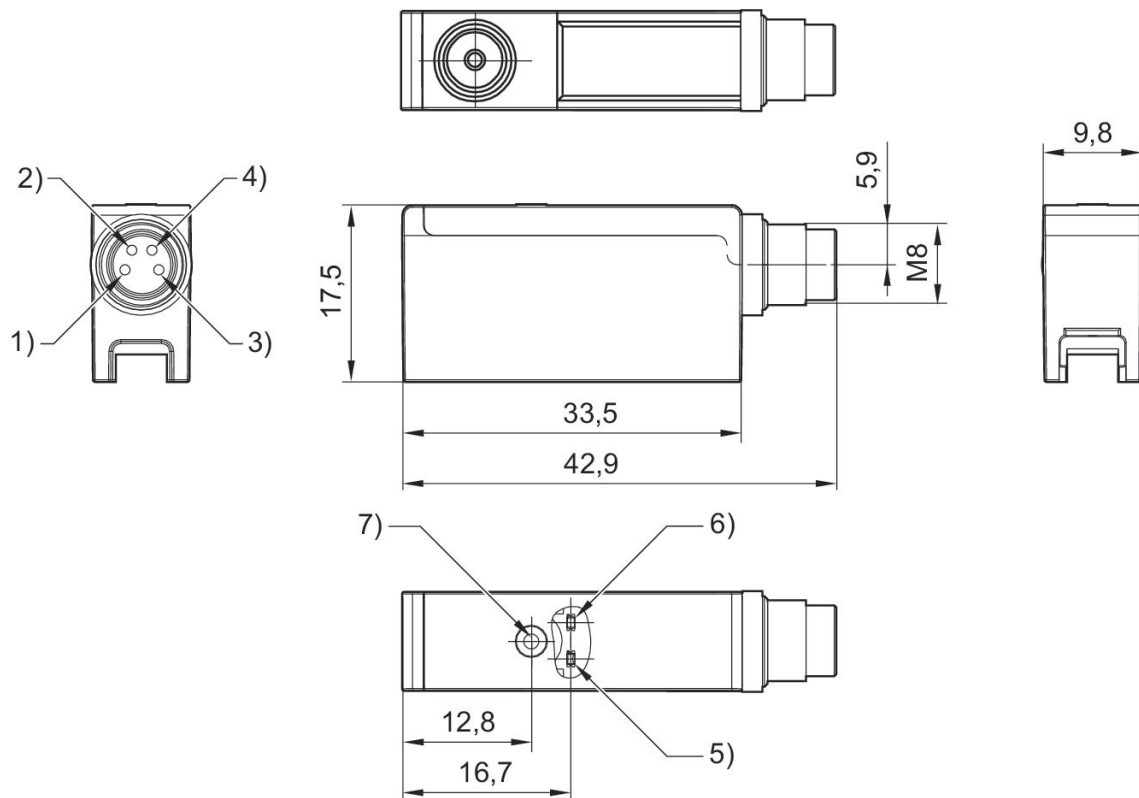
Pressure sensor, Series PE6

Plug
M8x1
Flange with O-ring
4-pin



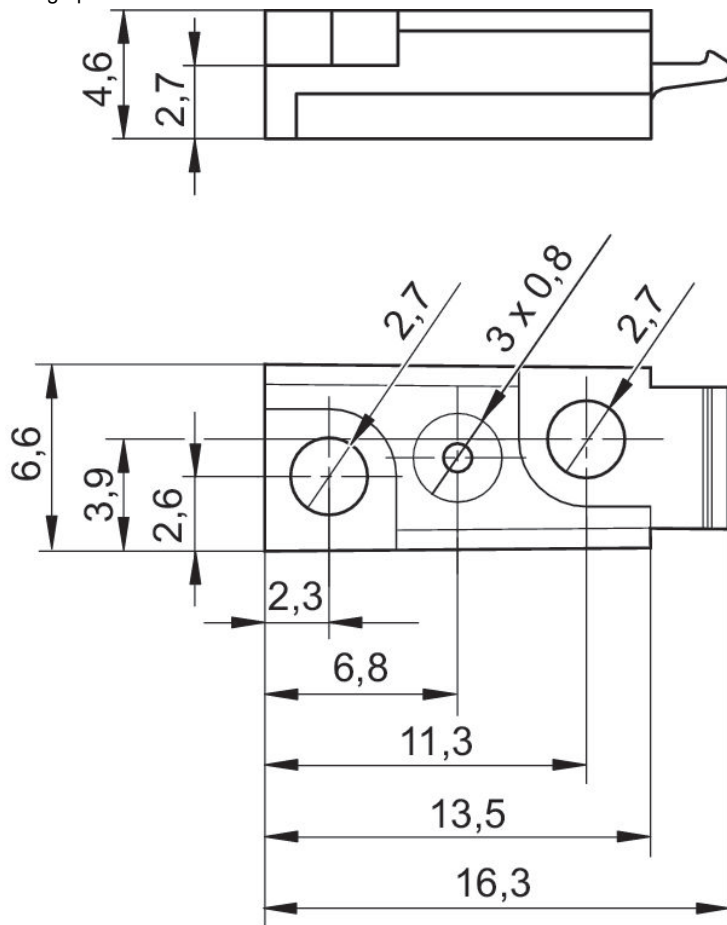
Thread connection	Operating pressure min [bar]	Operating pressure max [bar]	Protection against over-pressure	Output signal digital	Hysteresis	Mounting orientation	Part No.
Ø 1,2x1	-1	0	5 bar	2 x PNP	2% of the final value, fixed	L (horizontal)	R412007880
Ø 1,2x1	-1	0	5 bar	2 x PNP	adjustable	L (horizontal)	R412007881
Ø 1,2x1	-1	0	5 bar	2 x PNP	2% of the final value, fixed	S (vertical)	R412007882
Ø 1,2x1	0	10	15 bar	2 x PNP	2% of the final value, fixed	L (horizontal)	R412007884
Ø 1,2x1	0	10	15 bar	2 x PNP	adjustable	L (horizontal)	R412007885
Ø 1,2x1	0	10	15 bar	2 x PNP	2% of the final value, fixed	S (vertical)	R412007886
Ø 1,2x1	0	10	15 bar	2 x PNP	adjustable	S (vertical)	R412007887

PE6...-L



- 1) +UB
- 2) Switch output 2
- 3) GND
- 4) Switch output 1
- 5) LED for switch output 2 6) LED for switch output 1 7) setting knob

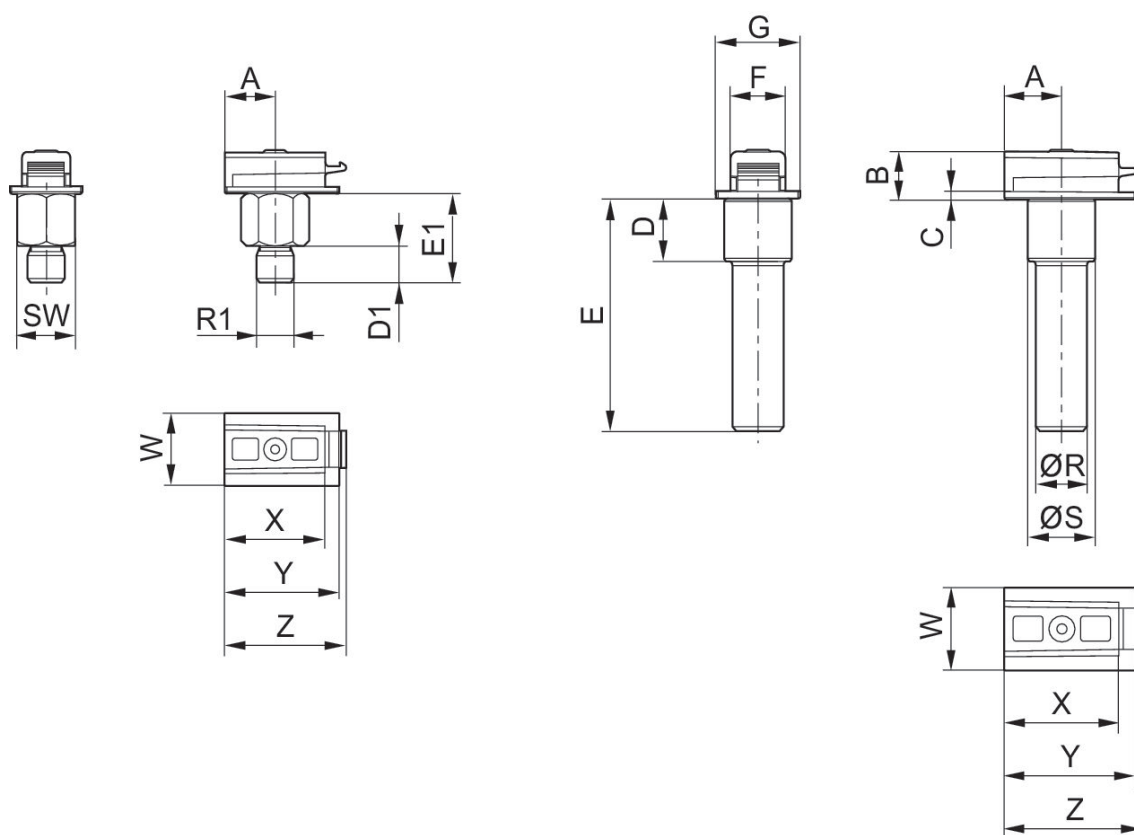
Flange plate



Parts kit, Series PE6



Part No.
R412007888



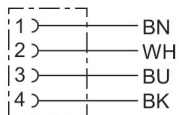
Part No.	A	B	C	D	D1	E	E1	F	G	SW
R412007888	6,8	5,6	1	7,3	5	27,3	12	6,6	9,8	8

ØR	R1	ØS	W	X	Y	Z
6	M5	8	9,8	13,5	15,4	16,2

Material: flange: polycarbonate, pipe: polyoxymethylene, thread M5: aluminum, O-ring: acrylonitrile butadiene caoutchouc

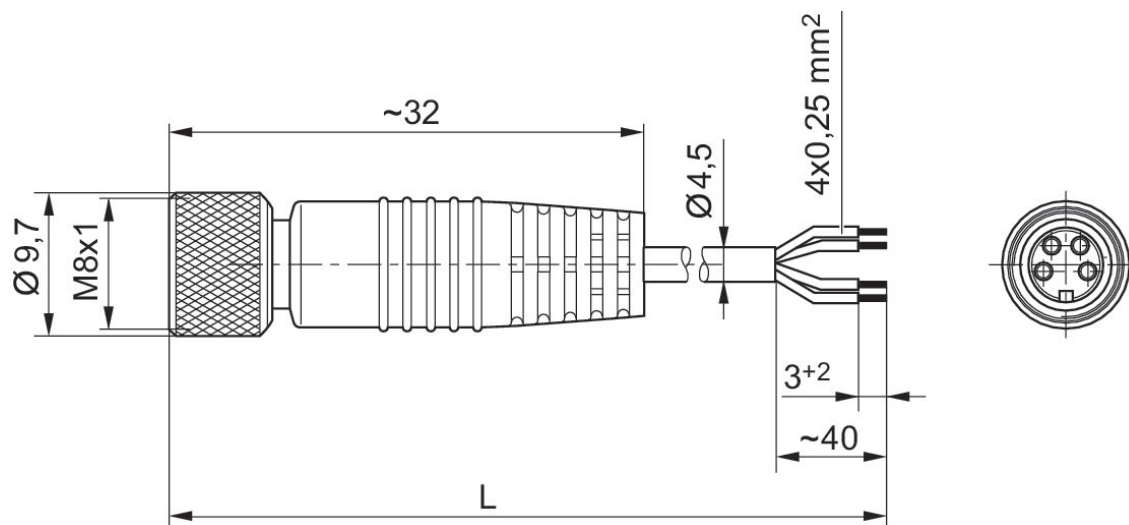
Round plug connector, Series CON-RD

Socket
M8x1
4-pin



Operational voltage	Current [A]	Shielding	Electrical connection 1, type	Electrical connection 1, thread size	Electrical connection 1, coding	Electrical connection 2, type	Cable length [m]	Cable-Ø [mm]	Wire cross-section [mm²]	Min. ambient temperature [°C]	Max. ambient temperature [°C]	Part No.
48 V AC/DC	4	unshielded	Socket	M8x1	A-coded	open cable ends	3	4.5	0.25	-40	85	1834484144
48 V AC/DC	4	unshielded	Socket	M8x1	A-coded	open cable ends	5	4.5	0.25	-40	85	1834484146

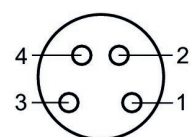
Dimensions



L = length

1834484144, 1834484146

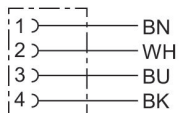
Pin assignment, socket



(1) BN=brown (2) WH=white (3) BU=blue (4) BK=black

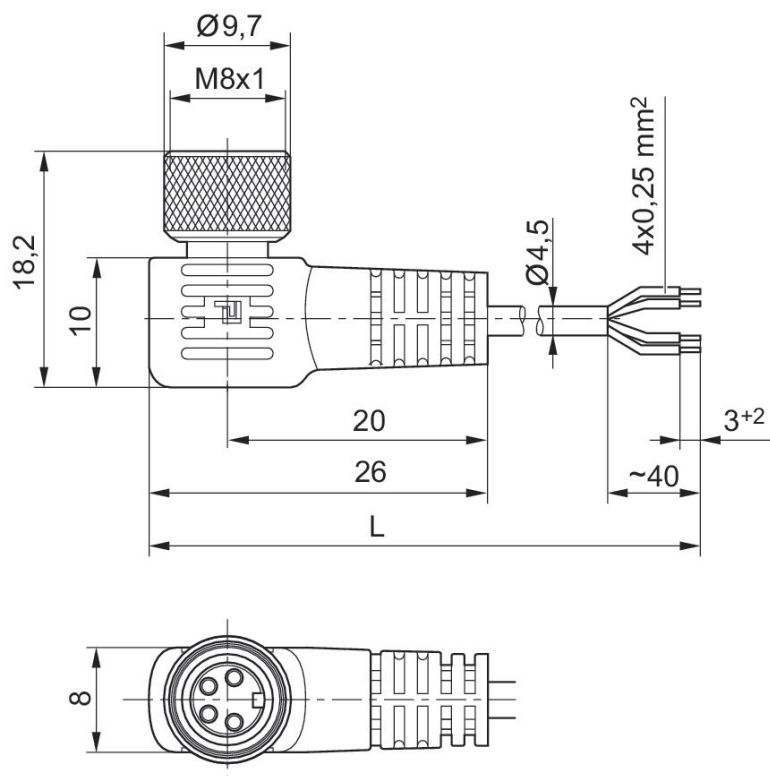
Round plug connector, Series CON-RD

Socket
M8x1
4-pin



Operational voltage	Current [A]	Shielding	Electrical connection 1, type	Electrical connection 1, thread size	Electrical connection 1, coding	Electrical connection 2, type	Cable length [m]	Cable-Ø [mm]	Wire cross-section [mm²]	Min. ambient temperature [°C]	Max. ambient temperature [°C]	Part No.
48 V AC/DC	4	unshielded	Socket	M8x1	A-coded	open cable ends	3	4.5	0.25	-25	85	1834484145
48 V AC/DC	4	unshielded	Socket	M8x1	A-coded	open cable ends	5	4.5	0.25	-25	85	1834484147

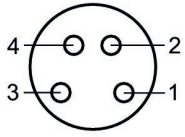
Dimensions in mm



L = length

1834484145, 1834484147

Pin assignment, socket



(1) BN=brown (2) WH=white (3) BU=blue (4) BK=black

Efficient pneumatic solutions, our program: cylinders and drives, valves and valve systems, air supply management



Visit us: [Emerson.com/Aventics](https://www.emerson.com/aventics)

Your local contact: [Emerson.com/contactus](https://www.emerson.com/contactus)



[Emerson.com](https://www.emerson.com)



[Facebook.com/EmersonAutomationSolutions](https://www.facebook.com/EmersonAutomationSolutions)



[LinkedIn.com/company/Emerson-Automation-Solutions](https://www.linkedin.com/company/Emerson-Automation-Solutions)



[Twitter.com/EMR_Automation](https://twitter.com/EMR_Automation)

An example configuration is depicted on the title page. The delivered product may thus vary from that in the illustration. Subject to change. This Document, as well as the data, specifications and other information set forth in it, are the exclusive property of AVENTICS GmbH. It may not be reproduced or given to third parties without its consent. Only use the AVENTICS products shown in industrial applications. Read the product documentation completely and carefully before using the product. Observe the applicable regulations and laws of the respective country. When integrating the product into applications, note the system manufacturer's specifications for safe use of the product. The data specified only serve to describe the product. No statements concerning a certain condition or suitability for a certain application can be derived from our information. The information given does not release the user from the obligation of own judgment and verification. It must be remembered that the products are subject to a natural process of wear and aging.

The Emerson logo is a trademark and service mark of Emerson Electric Co. Brand logotype are registered trademarks of one of the Emerson family of companies. All other marks are the property of their respective owners. © 2019 Emerson Electric Co. All rights reserved.



CONSIDER IT SOLVED™