

IN1



AVENTICS™

AVENTICS IN1 系列电感式接近传  
感器

  
**EMERSON™**

系列 IN1



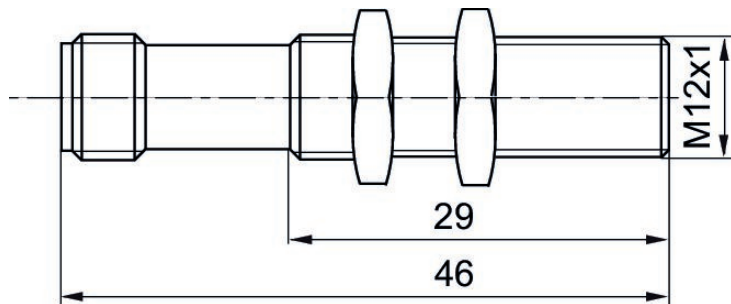
传感器, 系列 IN1

DIN EN 60947-5-2  
LU6  
多芯插头  
M12x1  
cULus



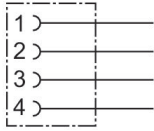
最小工作电压 DC [V DC]	最大工作电压 DC [V DC]	最大感测距离	功率消耗 [mA]	防短路能力	物料号
10	30	2 mm	10	短路保护, 反极性保护	R412010426

规格

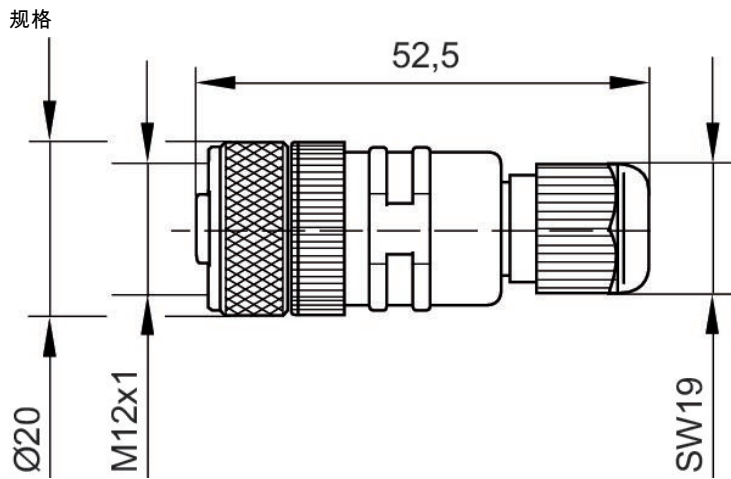


圆形插头, 系列 CON-RD

多针插头  
M12x1  
4-针

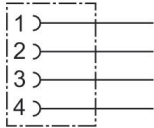


额定电压	电流, 最大值 [A]	电极数目	可连接的电缆的最小直径 [mm]	物料号
48 V AC/DC	4	4-针	4	8941054324



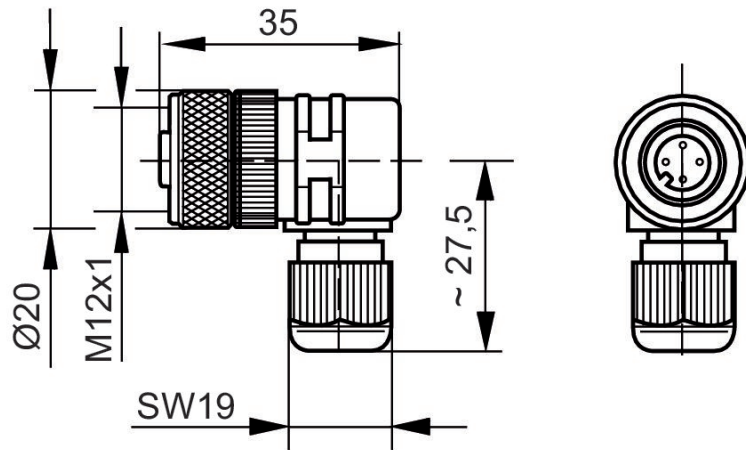
圆形插头, 系列 CON-RD

多针插头  
M12x1  
4-针



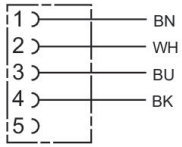
额定电压	电流, 最大值 [A]	电极数目	可连接的电缆的最小直径 [mm]	物料号
48 V AC/DC	4	4-针	4	8941054424

规格



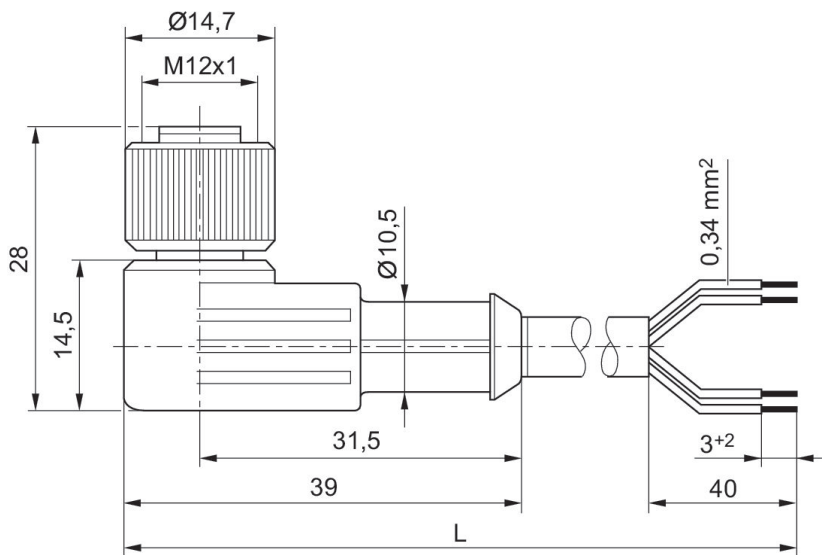
圆形插头, 系列 CON-RD

多针插头  
M12x1  
5-针



额定电压	电气连接 1, 类型	电气连接 1, 螺纹尺寸	电气连接 2, 类型	电缆长度 [m]	物料号
48 V AC/DC	多针插头	M12x1	开放式电缆终端	3	1834484259
48 V AC/DC	多针插头	M12x1	开放式电缆终端	5	1834484260
48 V AC/DC	多针插头	M12x1	开放式电缆终端	10	1834484261

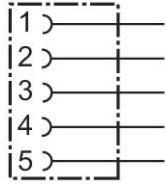
规格



L = 长度

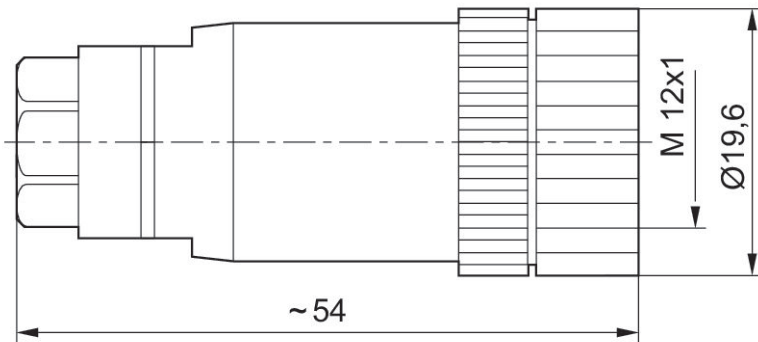
圆形插头, 系列 CON-RD

多针插头  
M12x1  
5-针



额定电压	电流, 最大值 [A]	电极数目	可连接的电缆的最小直径 [mm]	物料号
48 V AC/DC	4	5-针	4	4407230020

规格



# Efficient pneumatic solutions, our program: cylinders and drives, valves and valve systems, air supply management



Visit us: [Emerson.com/Aventics](https://www.emerson.com/Aventics)

Your local contact: [Emerson.com/contactus](https://www.emerson.com/contactus)



[Emerson.com](https://www.emerson.com)



[Facebook.com/EmersonAutomationSolutions](https://www.facebook.com/EmersonAutomationSolutions)



[LinkedIn.com/company/Emerson-Automation-Solutions](https://www.linkedin.com/company/Emerson-Automation-Solutions)



[Twitter.com/EMR\\_Automation](https://twitter.com/EMR_Automation)

An example configuration is depicted on the title page. The delivered product may thus vary from that in the illustration. Subject to change. This Document, as well as the data, specifications and other information set forth in it, are the exclusive property of AVENTICS GmbH. It may not be reproduced or given to third parties without its consent. Only use the AVENTICS products shown in industrial applications. Read the product documentation completely and carefully before using the product. Observe the applicable regulations and laws of the respective country. When integrating the product into applications, note the system manufacturer's specifications for safe use of the product. The data specified only serve to describe the product. No statements concerning a certain condition or suitability for a certain application can be derived from our information. The information given does not release the user from the obligation of own judgment and verification. It must be remembered that the products are subject to a natural process of wear and aging.

The Emerson logo is a trademark and service mark of Emerson Electric Co. Brand logotype are registered trademarks of one of the Emerson family of companies. All other marks are the property of their respective owners. © 2019 Emerson Electric Co. All rights reserved.



**CONSIDER IT SOLVED™**