

IN1



**AVENTICS™**

**Sensori di prossimit  induttivi  
serie IN1 AVENTICS**

  
**EMERSON™**

Serie IN1



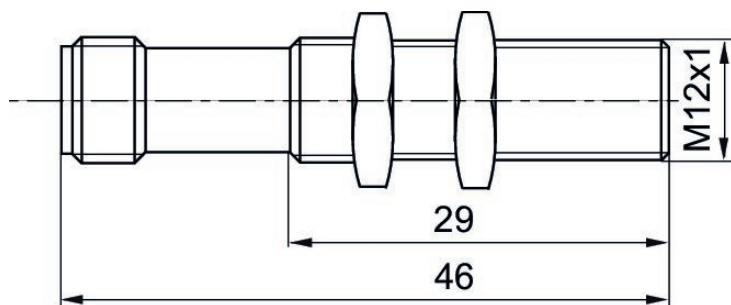
## Sensore, Serie IN1

DIN EN 60947-5-2  
LU6  
Connettore  
M12x1  
cULus



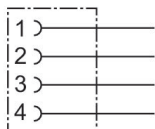
Tensione di esercizio DC, min. [V DC]	Tensione di esercizio DC, max. [V DC]	Distanza di commutazione max.	Corrente assorbita [mA]	A prova di corto circuito	Codice
10	30	2 mm	10	a prova di corto circuito, Protetto contro l'inversione di polarità	R412010426

### Dimensioni



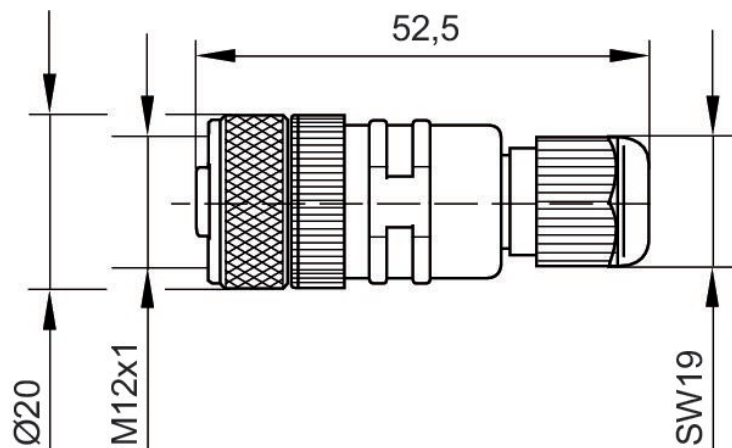
## Connettori circolari ad innesto, Serie CON-RD

Boccola  
M12x1  
4 poli



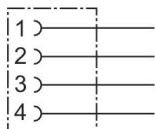
Tensione di esercizio	Corrente, max. [A]	occupazione dei contatti	Cavo collegabile - Ø min. [mm]	Codice
48 V AC/DC	4	4 poli	4	8941054324

Dimensioni



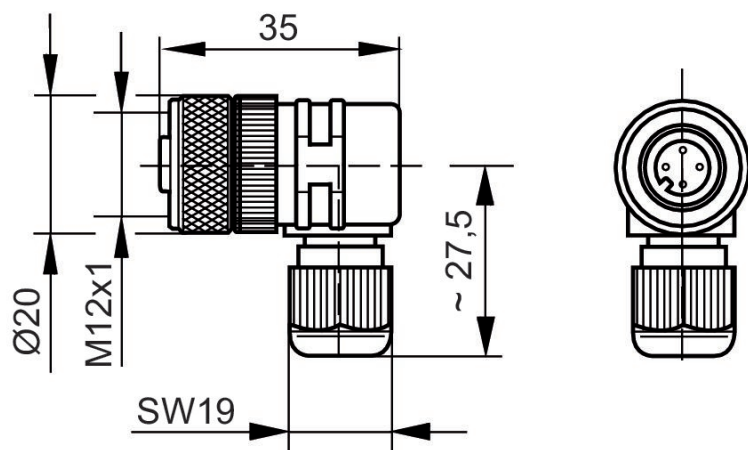
### Connettori circolari ad innesto, Serie CON-RD

Boccola  
M12x1  
4 poli



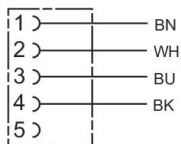
Tensione di esercizio	Corrente, max. [A]	occupazione dei contatti	Cavo collegabile - Ø min. [mm]	Codice
48 V AC/DC	4	4 poli	4	8941054424

#### Dimensioni



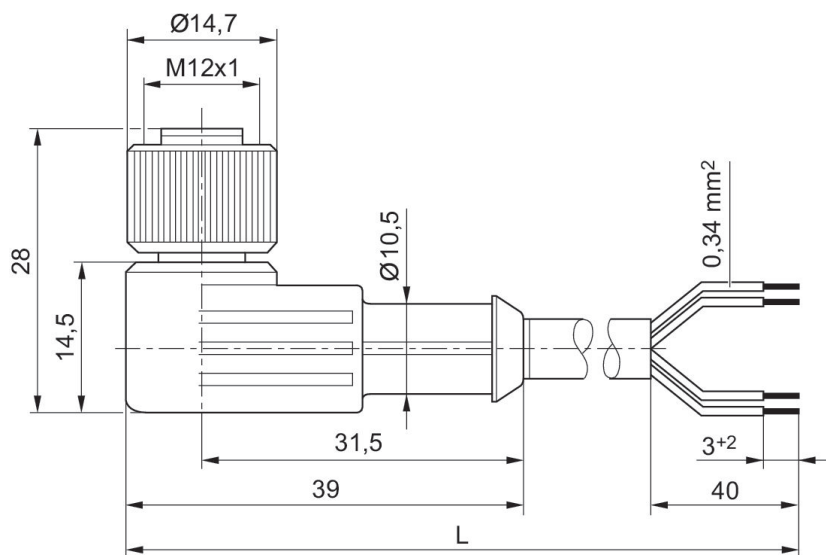
**Connettori circolari ad innesto, Serie CON-RD**

Boccola  
 M12x1  
 a 5 poli



Tensione di esercizio	Attacco elettrico 1, tipo	Conexión eléctrica 1, grandezza filettatura	Attacco elettrico 2, tipo	Lunghezza cavo [m]	Codice
48 V AC/DC	Boccola	M12x1	estremità cavo aperte	3	1834484259
48 V AC/DC	Boccola	M12x1	estremità cavo aperte	5	1834484260
48 V AC/DC	Boccola	M12x1	estremità cavo aperte	10	1834484261

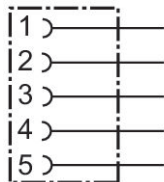
Dimensioni



L = lunghezza

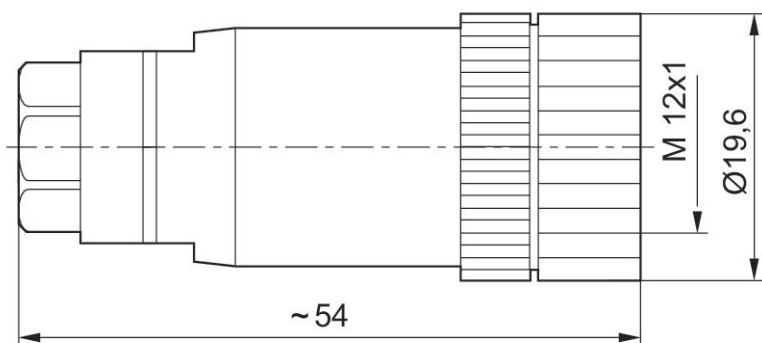
## Connettori circolari ad innesto, Serie CON-RD

Boccola  
M12x1  
a 5 poli



Tensione di esercizio	Corrente, max. [A]	occupazione dei contatti	Cavo collegabile - Ø min. [mm]	Codice
48 V AC/DC	4	a 5 poli	4	4407230020

Dimensioni



# Efficient pneumatic solutions, our program: cylinders and drives, valves and valve systems, air supply management



Visit us: [Emerson.com/Aventics](https://www.emerson.com/Aventics)

Your local contact: [Emerson.com/contactus](https://www.emerson.com/contactus)



[Emerson.com](https://www.emerson.com)



[Facebook.com/EmersonAutomationSolutions](https://www.facebook.com/EmersonAutomationSolutions)



[LinkedIn.com/company/Emerson-Automation-Solutions](https://www.linkedin.com/company/Emerson-Automation-Solutions)



[Twitter.com/EMR\\_Automation](https://twitter.com/EMR_Automation)

An example configuration is depicted on the title page. The delivered product may thus vary from that in the illustration. Subject to change. This Document, as well as the data, specifications and other information set forth in it, are the exclusive property of AVENTICS GmbH. It may not be reproduced or given to third parties without its consent. Only use the AVENTICS products shown in industrial applications. Read the product documentation completely and carefully before using the product. Observe the applicable regulations and laws of the respective country. When integrating the product into applications, note the system manufacturer's specifications for safe use of the product. The data specified only serve to describe the product. No statements concerning a certain condition or suitability for a certain application can be derived from our information. The information given does not release the user from the obligation of own judgment and verification. It must be remembered that the products are subject to a natural process of wear and aging.

The Emerson logo is a trademark and service mark of Emerson Electric Co. Brand logotype are registered trademarks of one of the Emerson family of companies. All other marks are the property of their respective owners. © 2019 Emerson Electric Co. All rights reserved.



**CONSIDER IT SOLVED™**