

IN1



**AVENTICS™**

**Capteurs de proximité inductifs  
AVENTICS série IN1**

  
**EMERSON™**

Série IN1



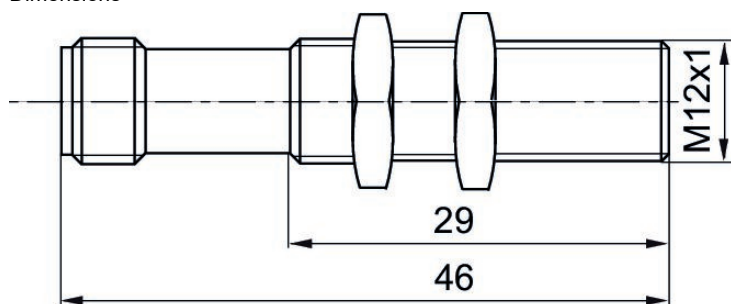
## Capteur, Série IN1

DIN EN 60947-5-2  
LU6  
Connecteur  
M12x1  
cULus



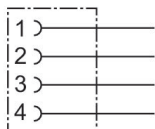
| Tension de service CC, mini [V CC] | Tension de service CC, maxi [V CC] | Ecart de commutation max. | Courant absorbé [mA] | Résistance aux courts-circuits  | Référence  |
|------------------------------------|------------------------------------|---------------------------|----------------------|---|------------|
| 10                                 | 30                                 | 2 mm                      | 10                   | résistant aux courts-circuits, Protection contre les inversions de polarité | R412010426 |

### Dimensions



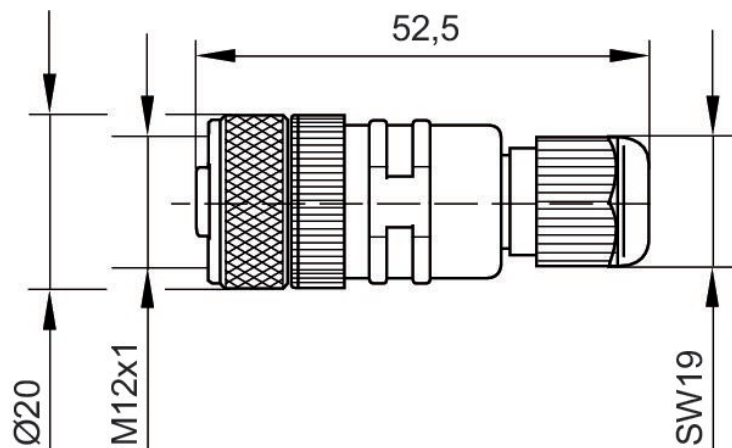
**Connecteur rond, Série CON-RD**

Prise femelle  
M12x1  
À 4 pôles



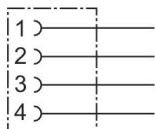
| Tension de service des équipements | Courant max. [A] | Affectation des contacts | Ø min. du câble raccordable [mm] | Référence  |
|------------------------------------|------------------|--------------------------|----------------------------------|------------|
| 48 V AC/DC                         | 4                | À 4 pôles                | 4                                | 8941054324 |

Dimensions



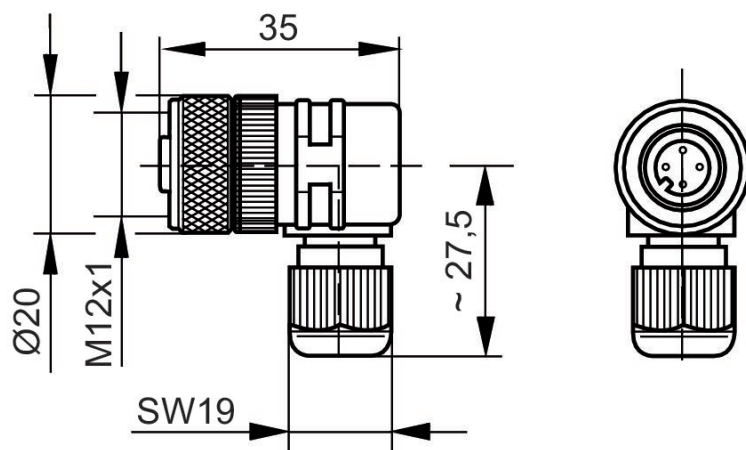
**Connecteur rond, Série CON-RD**

Prise femelle  
 M12x1  
 À 4 pôles



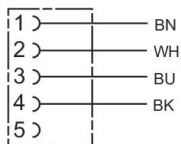
| Tension de service des équipements | Courant max. [A] | Affectation des contacts | Ø min. du câble raccordable [mm] | Référence  |
|------------------------------------|------------------|--------------------------|----------------------------------|------------|
| 48 V AC/DC                         | 4                | À 4 pôles                | 4                                | 8941054424 |

Dimensions



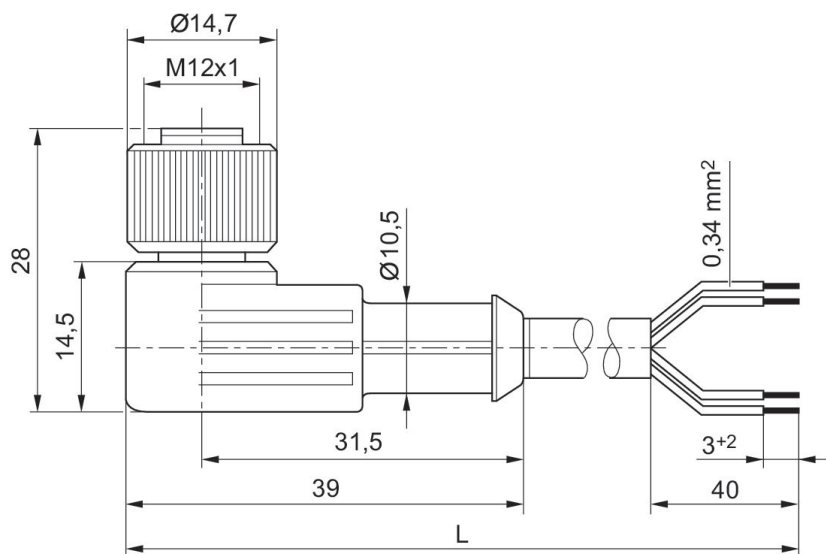
**Connecteur rond, Série CON-RD**

Prise femelle  
 M12x1  
 à 5 pôles



| Tension de service des équipements | Raccordement électrique 1, type | Raccordement électrique 1, taille du filetage | Raccordement électrique 2, type | Longueur câble [m] | Référence  |
|------------------------------------|---------------------------------|---|---------------------------------|--------------------|------------|
| 48 V AC/DC                         | Prise femelle                   | M12x1   | Extrémités de câble ouvertes    | 3                  | 1834484259 |
| 48 V AC/DC                         | Prise femelle                   | M12x1   | Extrémités de câble ouvertes    | 5                  | 1834484260 |
| 48 V AC/DC                         | Prise femelle                   | M12x1   | Extrémités de câble ouvertes    | 10                 | 1834484261 |

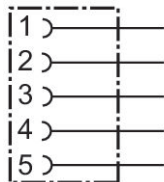
Dimensions



L = longueur

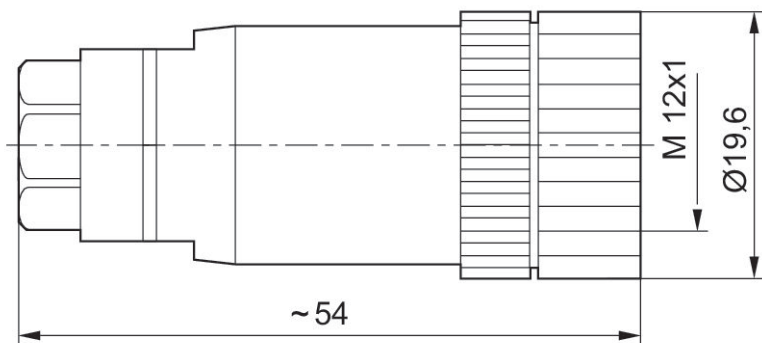
## Connecteur rond, Série CON-RD

Prise femelle  
M12x1  
à 5 pôles



| Tension de service des équipements | Courant max. [A] | Affectation des contacts | Ø min. du câble raccordable [mm] | Référence  |
|------------------------------------|------------------|--------------------------|----------------------------------|------------|
| 48 V AC/DC                         | 4                | à 5 pôles                | 4                                | 4407230020 |

### Dimensions



# Efficient pneumatic solutions, our program: cylinders and drives, valves and valve systems, air supply management



Visit us: [Emerson.com/Aventics](https://www.emerson.com/aventics)

Your local contact: [Emerson.com/contactus](https://www.emerson.com/contactus)



[Emerson.com](https://www.emerson.com)



[Facebook.com/EmersonAutomationSolutions](https://www.facebook.com/EmersonAutomationSolutions)



[LinkedIn.com/company/Emerson-Automation-Solutions](https://www.linkedin.com/company/Emerson-Automation-Solutions)



[Twitter.com/EMR\\_Automation](https://twitter.com/EMR_Automation)

An example configuration is depicted on the title page. The delivered product may thus vary from that in the illustration. Subject to change. This Document, as well as the data, specifications and other information set forth in it, are the exclusive property of AVENTICS GmbH. It may not be reproduced or given to third parties without its consent. Only use the AVENTICS products shown in industrial applications. Read the product documentation completely and carefully before using the product. Observe the applicable regulations and laws of the respective country. When integrating the product into applications, note the system manufacturer's specifications for safe use of the product. The data specified only serve to describe the product. No statements concerning a certain condition or suitability for a certain application can be derived from our information. The information given does not release the user from the obligation of own judgment and verification. It must be remembered that the products are subject to a natural process of wear and aging.

The Emerson logo is a trademark and service mark of Emerson Electric Co. Brand logotype are registered trademarks of one of the Emerson family of companies. All other marks are the property of their respective owners. © 2019 Emerson Electric Co. All rights reserved.



**CONSIDER IT SOLVED™**