

IN1



AVENTICS™

**AVENTICS Series IN1 Inductive
proximity sensors**


EMERSON™

Series IN1



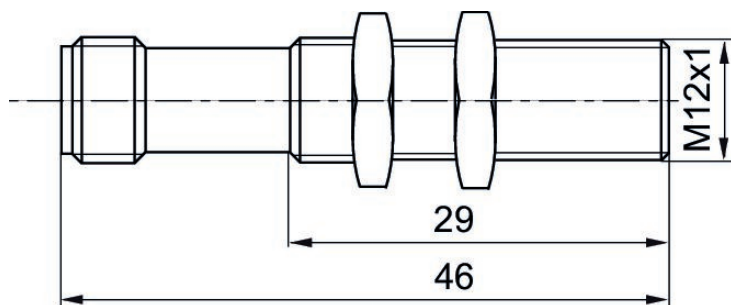
Sensor, Series IN1

DIN EN 60947-5-2
LU6
Plug
M12x1
cULus



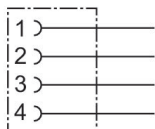
Min. operating voltage DC [V DC]	Max. operating voltage DC [V DC]	Max. switching distance	Current consumption [mA]	Short circuit resistance	Part No.
10	30	2 mm	10	short circuit resistant, Protected against polarity reversal	R412010426

Dimensions



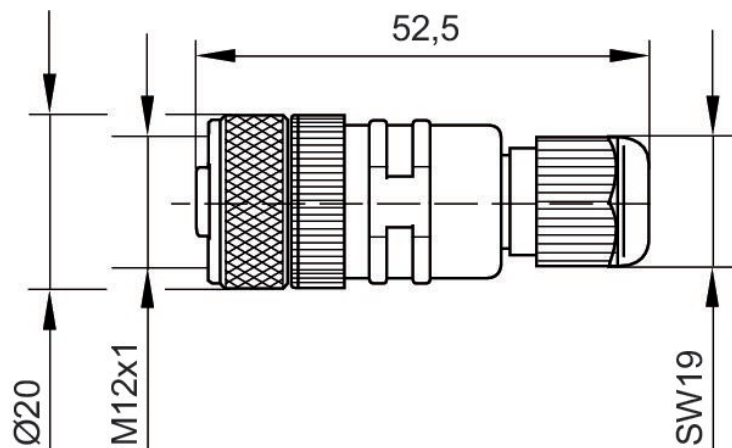
Round plug connector, Series CON-RD

Socket
M12x1
4-pin



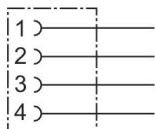
Operational voltage	Max. current [A]	Contact assignment	min. suitable cable Ø [mm]	Part No.
48 V AC/DC	4	4-pin	4	8941054324

Dimensions



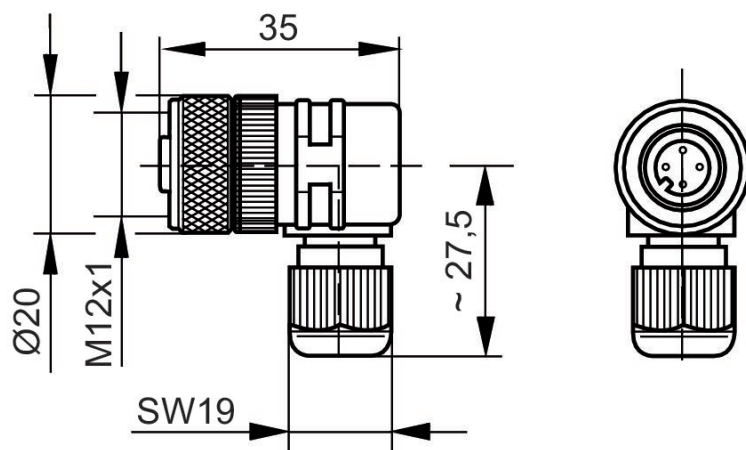
Round plug connector, Series CON-RD

Socket
M12x1
4-pin



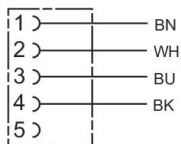
Operational voltage	Max. current [A]	Contact assignment	min. suitable cable Ø [mm]	Part No.
48 V AC/DC	4	4-pin	4	8941054424

Dimensions



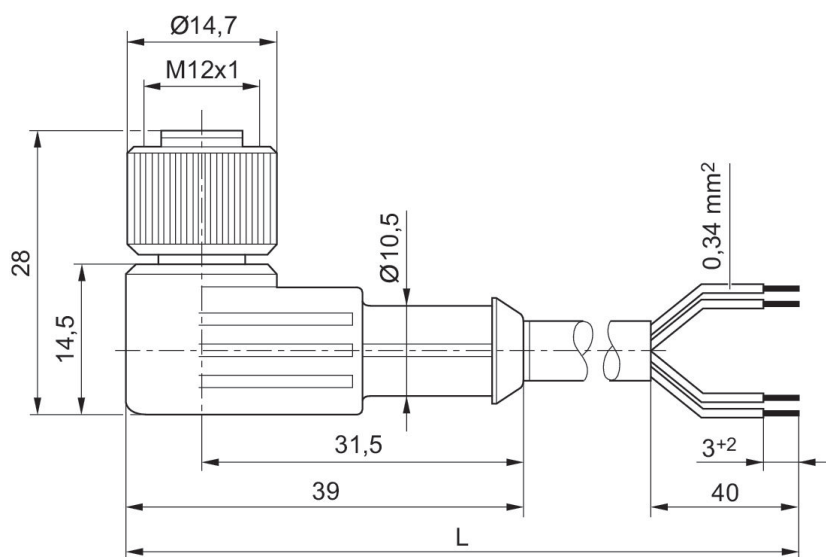
Round plug connector, Series CON-RD

Socket
M12x1
5-pin



Operational voltage	Electrical connection 1, type	Electrical connection 1, thread size	Electrical connection 2, type	Cable length [m]	Part No.
48 V AC/DC	Socket	M12x1	open cable ends	3	1834484259
48 V AC/DC	Socket	M12x1	open cable ends	5	1834484260
48 V AC/DC	Socket	M12x1	open cable ends	10	1834484261

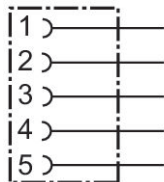
Dimensions



L = length

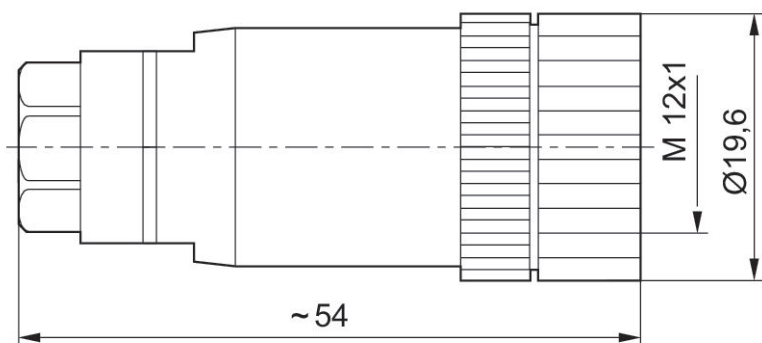
Round plug connector, Series CON-RD

Socket
M12x1
5-pin



Operational voltage	Max. current [A]	Contact assignment	min. suitable cable Ø [mm]	Part No.
48 V AC/DC	4	5-pin	4	4407230020

Dimensions



Efficient pneumatic solutions, our program: cylinders and drives, valves and valve systems, air supply management



Visit us: [Emerson.com/Aventics](https://www.emerson.com/aventics)

Your local contact: [Emerson.com/contactus](https://www.emerson.com/contactus)



[Emerson.com](https://www.emerson.com)



[Facebook.com/EmersonAutomationSolutions](https://www.facebook.com/EmersonAutomationSolutions)



[LinkedIn.com/company/Emerson-Automation-Solutions](https://www.linkedin.com/company/Emerson-Automation-Solutions)



[Twitter.com/EMR_Automation](https://twitter.com/EMR_Automation)

An example configuration is depicted on the title page. The delivered product may thus vary from that in the illustration. Subject to change. This Document, as well as the data, specifications and other information set forth in it, are the exclusive property of AVENTICS GmbH. It may not be reproduced or given to third parties without its consent. Only use the AVENTICS products shown in industrial applications. Read the product documentation completely and carefully before using the product. Observe the applicable regulations and laws of the respective country. When integrating the product into applications, note the system manufacturer's specifications for safe use of the product. The data specified only serve to describe the product. No statements concerning a certain condition or suitability for a certain application can be derived from our information. The information given does not release the user from the obligation of own judgment and verification. It must be remembered that the products are subject to a natural process of wear and aging.

The Emerson logo is a trademark and service mark of Emerson Electric Co. Brand logotype are registered trademarks of one of the Emerson family of companies. All other marks are the property of their respective owners. © 2019 Emerson Electric Co. All rights reserved.



CONSIDER IT SOLVED™