

IN1



AVENTICS™

**AVENTICS Induktive
Näherungssensoren der
Baureihe IN1**


EMERSON™

Serie IN1



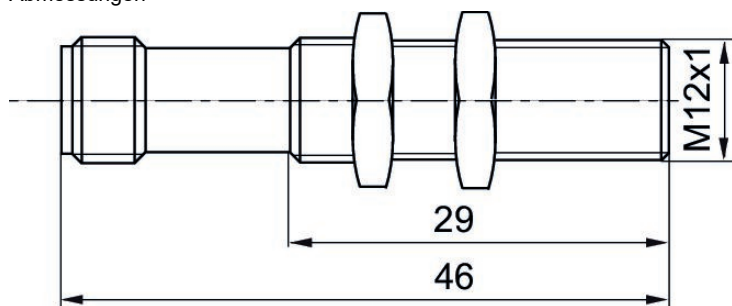
Sensor, Serie IN1

DIN EN 60947-5-2
LU6
Stecker
M12x1
cULus
3-polig



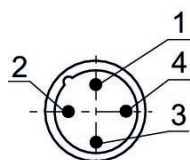
| Betriebsspannung DC, min. [V DC] | Betriebsspannung DC, max. [V DC] | Schaltabstand max. | Stromaufnahme [mA] | Kurzschlussfestigkeit | Materialnummer |
|----------------------------------|----------------------------------|--------------------|--------------------|-----------------------------------|----------------|
| 10 | 30 | 2 mm | 10 | kurzschlussfest, verpolungssicher | R412010426 |

Abmessungen



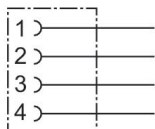
R412010426

Pin-Belegung



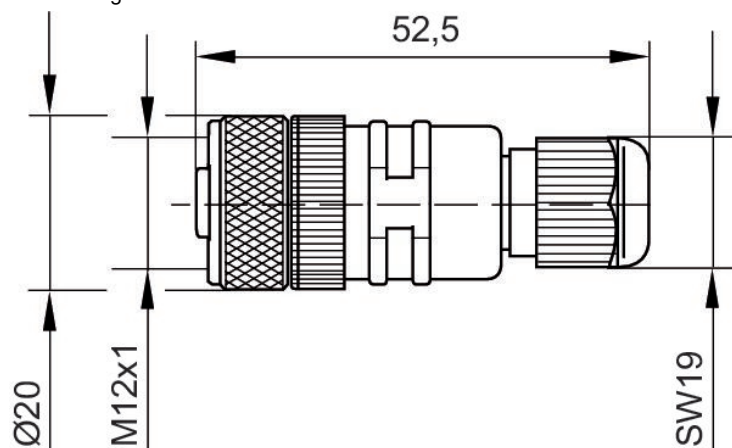
Rundsteckverbinder, Serie CON-RD

Buchse
M12x1
4-polig



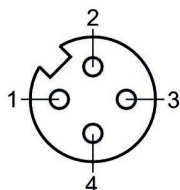
| Betriebsspannung | Kontaktbelegung | Codierung | Schirmung | Anschlussart | Strom, max. [A] | anschließbarer Kabel-Ø min. [mm] | Umgebungstemperatur min. [°C] | Umgebungstemperatur max. [°C] | Materialnummer |
|------------------|-----------------|-----------|-------------|--------------|-----------------|----------------------------------|-------------------------------|-------------------------------|----------------|
| 48 V AC/DC | 4-polig | A-codiert | ungeschirmt | Schrauben | 4 | 4 | -25 | 90 | 8941054324 |

Abmessungen



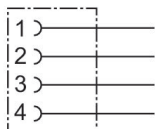
8941054324

Polbild Buchse



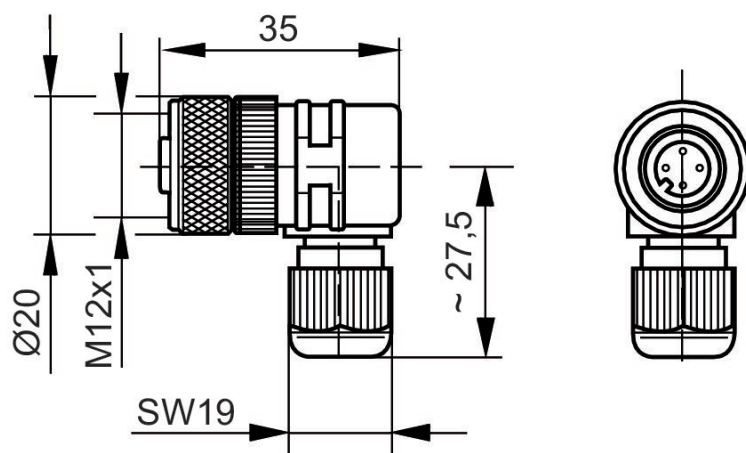
Rundsteckverbinder, Serie CON-RD

Buchse
M12x1
4-polig



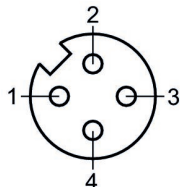
| Betriebsspannung | Kontaktbelegung | Codierung | Schirmung | Anschlussart | Strom, max. [A] | anschließbarer Kabel-Ø min. [mm] | Umgebungstemperatur min. [°C] | Umgebungstemperatur max. [°C] | Materialnummer |
|------------------|-----------------|-----------|-------------|--------------|-----------------|----------------------------------|-------------------------------|-------------------------------|----------------|
| 48 V AC/DC | 4-polig | A-codiert | ungeschirmt | Schrauben | 4 | 4 | -25 | 90 | 8941054424 |

Abmessungen



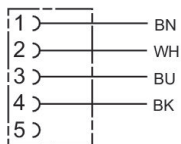
8941054424

Polbild Buchse



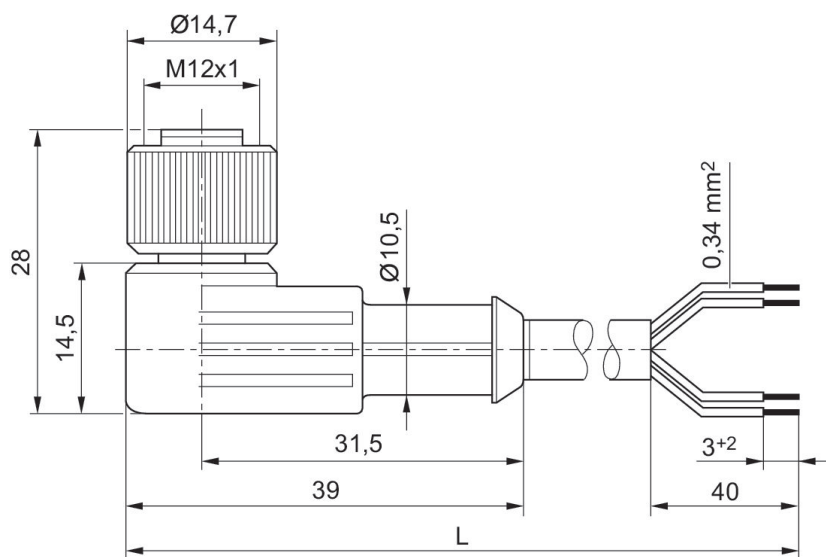
Rundsteckverbinder, Serie CON-RD

Buchse
M12x1
5-polig



| Betriebsspannung | Strom [A] | Schirmung | Elektrischer Anschluss 1, Typ | Elektrischer Anschluss 1, Gewindegröße | Elektrischer Anschluss 1, Codierung | Elektrischer Anschluss 2, Typ | Kabellänge [m] | Kabel-Ø [mm] | Leiterquerschnitt [mm²] | Umgebungstemperatur min. [°C] | Umgebungstemperatur max. [°C] | Materialnummer |
|------------------|-----------|-------------|-------------------------------|--|-------------------------------------|-------------------------------|----------------|--------------|-------------------------|-------------------------------|-------------------------------|----------------|
| 48 V AC/DC | 4 | ungeschirmt | Buchse | M12x1 | A-codiert | offene Kabelenden | 3 | 5.2 | 0.34 | -40 | 85 | 1834484259 |
| 48 V AC/DC | 4 | ungeschirmt | Buchse | M12x1 | A-codiert | offene Kabelenden | 5 | 5.2 | 0.34 | -40 | 85 | 1834484260 |
| 48 V AC/DC | 4 | ungeschirmt | Buchse | M12x1 | A-codiert | offene Kabelenden | 10 | 5.2 | 0.34 | -40 | 85 | 1834484261 |

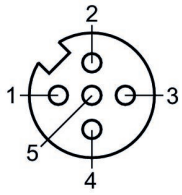
Abmessungen



L = Länge

1834484259, 1834484260, 1834484261

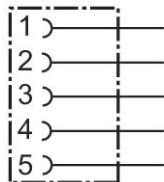
Polbild Buchse



(1) BN=braun (2) WH=weiß (3) BU=blau (4) BK=Schwarz
(5) nicht belegt

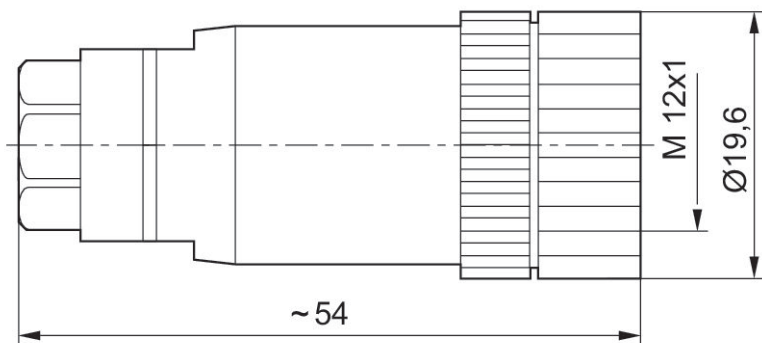
Rundsteckverbinder, Serie CON-RD

Buchse
M12x1
5-polig



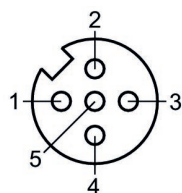
| Betriebsspannung | Kontaktbelegung | Codierung | Schirmung | Protokoll | Anschlussart | Strom, max. [A] | anschließbarer Kabel-Ø min. [mm] | Umgebungstemperatur min. [°C] | Umgebungstemperatur max. [°C] | Materialnummer |
|------------------|-----------------|-----------|-------------|-----------|--------------|-----------------|----------------------------------|-------------------------------|-------------------------------|----------------|
| 48 V AC/DC | 5-polig | A-codiert | ungeschirmt | DeviceNet | Schrauben | 4 | 4 | -40 | 85 | 4407230020 |

Abmessungen



4407230020

Polbild Buchse



Efficient pneumatic solutions, our program: cylinders and drives, valves and valve systems, air supply management



Visit us: [Emerson.com/Aventics](https://www.emerson.com/aventics)

Your local contact: [Emerson.com/contactus](https://www.emerson.com/contactus)



[Emerson.com](https://www.emerson.com)



[Facebook.com/EmersonAutomationSolutions](https://www.facebook.com/EmersonAutomationSolutions)



[LinkedIn.com/company/Emerson-Automation-Solutions](https://www.linkedin.com/company/Emerson-Automation-Solutions)



[Twitter.com/EMR_Automation](https://twitter.com/EMR_Automation)

An example configuration is depicted on the title page. The delivered product may thus vary from that in the illustration. Subject to change. This Document, as well as the data, specifications and other information set forth in it, are the exclusive property of AVENTICS GmbH. It may not be reproduced or given to third parties without its consent. Only use the AVENTICS products shown in industrial applications. Read the product documentation completely and carefully before using the product. Observe the applicable regulations and laws of the respective country. When integrating the product into applications, note the system manufacturer's specifications for safe use of the product. The data specified only serve to describe the product. No statements concerning a certain condition or suitability for a certain application can be derived from our information. The information given does not release the user from the obligation of own judgment and verification. It must be remembered that the products are subject to a natural process of wear and aging.

The Emerson logo is a trademark and service mark of Emerson Electric Co. Brand logotype are registered trademarks of one of the Emerson family of companies. All other marks are the property of their respective owners. © 2019 Emerson Electric Co. All rights reserved.



CONSIDER IT SOLVED™