

## Série 553-001



**AVENTICS™**

**AVENTICS série 553 Sensor de  
vazão de ar**

  
**EMERSON™**

## Série 553-001

Com a sonda de vazão de ar em linha AVENTICS série 553, você tem um dispositivo que mede com precisão a vazão do volume de ar comprimido.

- Princípio de diafragma
- Bujão de conexão elétrica, M12x1



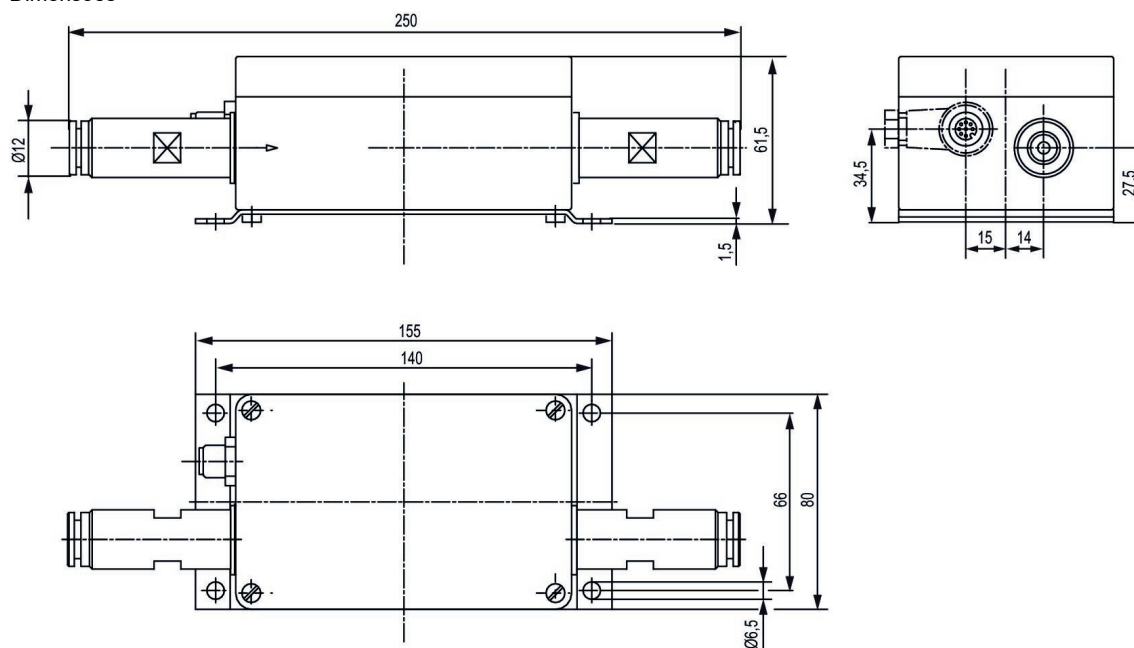
### Sensor de quantidade de ar, Série 553-001

Conector  
M12x1  
De 8 pinos



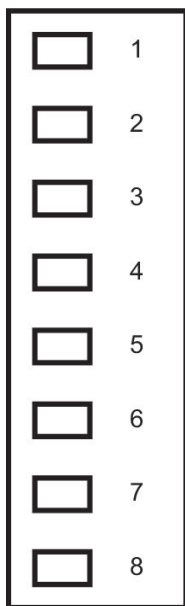
Fluxo nominal Qn, estándar máx. [l/min]	Precisão em % (do valor final)	N° de material
250	± 3 %	5530011000
500	± 2 %	5530011100
1000	± 2 %	5530011200

Dimensões



**5530011000, 5530011100, 5530011200**

Conector M12, 8 pinos



# Efficient pneumatic solutions, our program: cylinders and drives, valves and valve systems, air supply management



Visit us: [Emerson.com/Aventics](https://www.emerson.com/aventics)

Your local contact: [Emerson.com/contactus](https://www.emerson.com/contactus)



[Emerson.com](https://www.emerson.com)



[Facebook.com/EmersonAutomationSolutions](https://www.facebook.com/EmersonAutomationSolutions)



[LinkedIn.com/company/Emerson-Automation-Solutions](https://www.linkedin.com/company/Emerson-Automation-Solutions)



[Twitter.com/EMR\\_Automation](https://twitter.com/EMR_Automation)

An example configuration is depicted on the title page. The delivered product may thus vary from that in the illustration. Subject to change. This Document, as well as the data, specifications and other information set forth in it, are the exclusive property of AVENTICS GmbH. It may not be reproduced or given to third parties without its consent. Only use the AVENTICS products shown in industrial applications. Read the product documentation completely and carefully before using the product. Observe the applicable regulations and laws of the respective country. When integrating the product into applications, note the system manufacturer's specifications for safe use of the product. The data specified only serve to describe the product. No statements concerning a certain condition or suitability for a certain application can be derived from our information. The information given does not release the user from the obligation of own judgment and verification. It must be remembered that the products are subject to a natural process of wear and aging.

The Emerson logo is a trademark and service mark of Emerson Electric Co. Brand logotype are registered trademarks of one of the Emerson family of companies. All other marks are the property of their respective owners. © 2019 Emerson Electric Co. All rights reserved.



**CONSIDER IT SOLVED™**