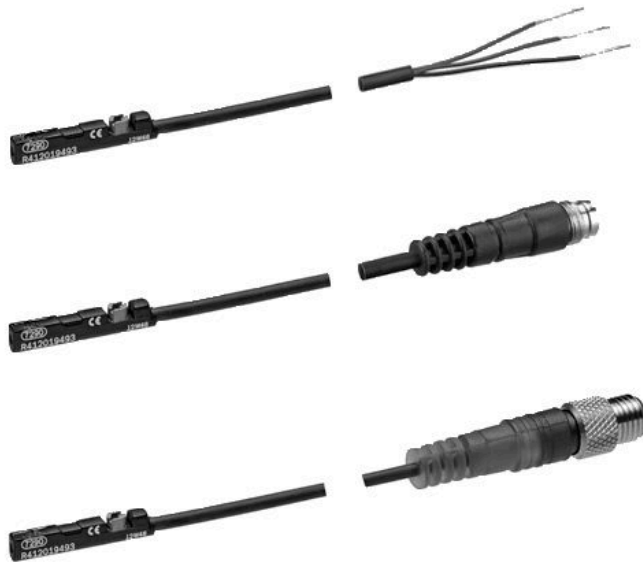


Sensors, Series ST4



AVENTICS™

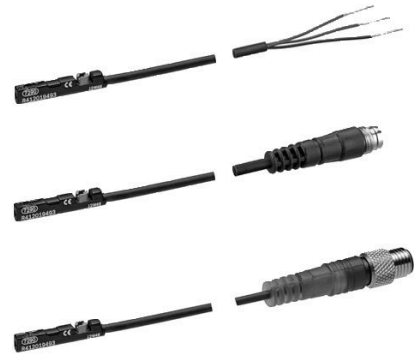
**AVENTICS Series ST4 Magnetic
proximity sensors**


EMERSON™

Sensors, Series ST4

The AVENTICS Series ST4 sensors can be integrated with all AVENTICS pneumatic actuators and are ideal for small handling. The Series ST4 can be assembled quickly and easily with just a quarter turn of the combination screw.

- Suitable for 4 mm C-nut
- Mounting from above in the 6 mm slot (â€œdrop-inâ€œ mounting)
- Robust housing
- LED for indicating the output state
- Combined mounting screw with hexagon socket and slotted screw
- Precise, reliable and flexible



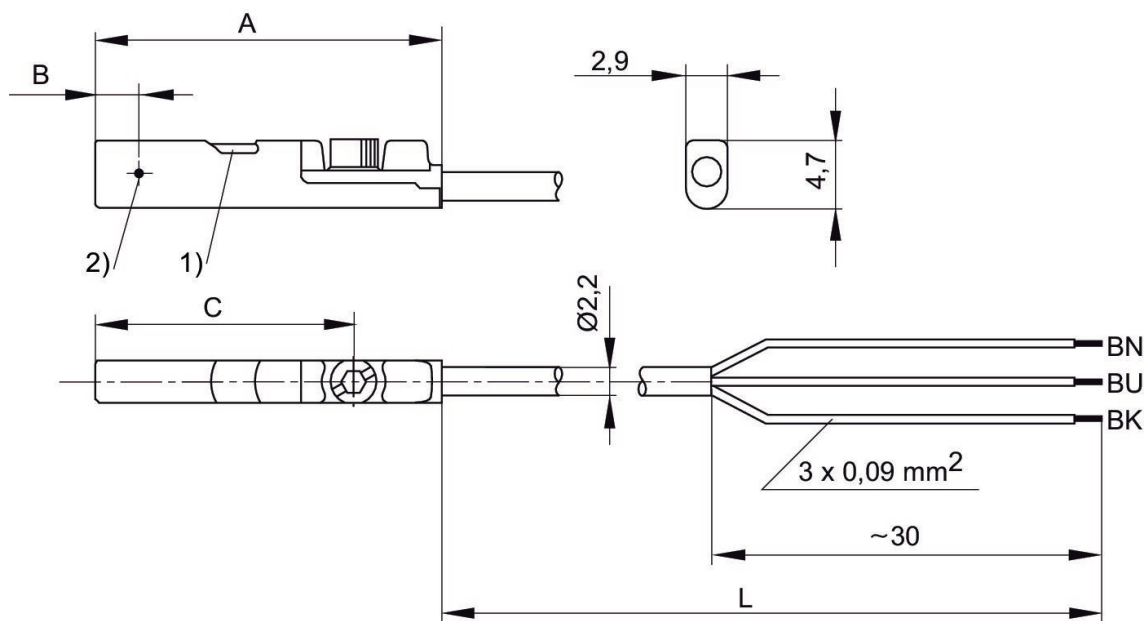
Sensor, Series ST4

PRA
SSI
GSU
RTC
CKP
GPC
MSC
MSN
RCM
CVI
open cable ends
UL (Underwriters Laboratories)
cULus
RoHS



Direct mounting for series	Type of contact	Cable length L [m]	Max. DC switching current [A]	Max. AC switching current [A]	Min. operating voltage DC [V DC]	Max. operating voltage DC [V DC]	Version	Part No.
PRA, SSI, GSU, RTC, CKP, GPC, MSC, MSN, RCM, CVI	Reed	3	0.13	0.13	5	30	Protected against polarity reversal	R412019488
PRA, SSI, GSU, RTC, CKP, GPC, MSC, MSN, RCM, CVI	Reed	5	0.13	0.13	5	30	Protected against polarity reversal	R412019489
PRA, SSI, GSU, RTC, CKP, GPC, MSC, MSN, RCM, CVI	electronic PNP	3	0.1		10	30	short circuit resistant, Protected against polarity reversal	R412019680
PRA, SSI, GSU, RTC, CKP, GPC, MSC, MSN, RCM, CVI	electronic PNP	5	0.1		10	30	short circuit resistant, Protected against polarity reversal	R412019681
PRA, SSI, GSU, RTC, CKP, GPC, MSC, MSN, RCM, CVI	NPN	3	0.1		10	30	short circuit resistant, Protected against polarity reversal	R412019684
PRA, SSI, GSU, RTC, CKP, GPC, MSC, MSN, RCM, CVI	NPN	5	0.1		10	30	short circuit resistant, Protected against polarity reversal	R412019685

Dimensions



1) LED 2) Switching point
L = cable length BN = brown, BK = black, BU = blue

Part No.	A	B	C
R412019488	26.3	6.3	20.3
R412019489	26.3	6.3	20.3
R412019680	23.7	2.8	17.7
R412019681	23.7	2.8	17.7
R412019684	23.7	2.8	17.7
R412019685	23.7	2.8	17.7

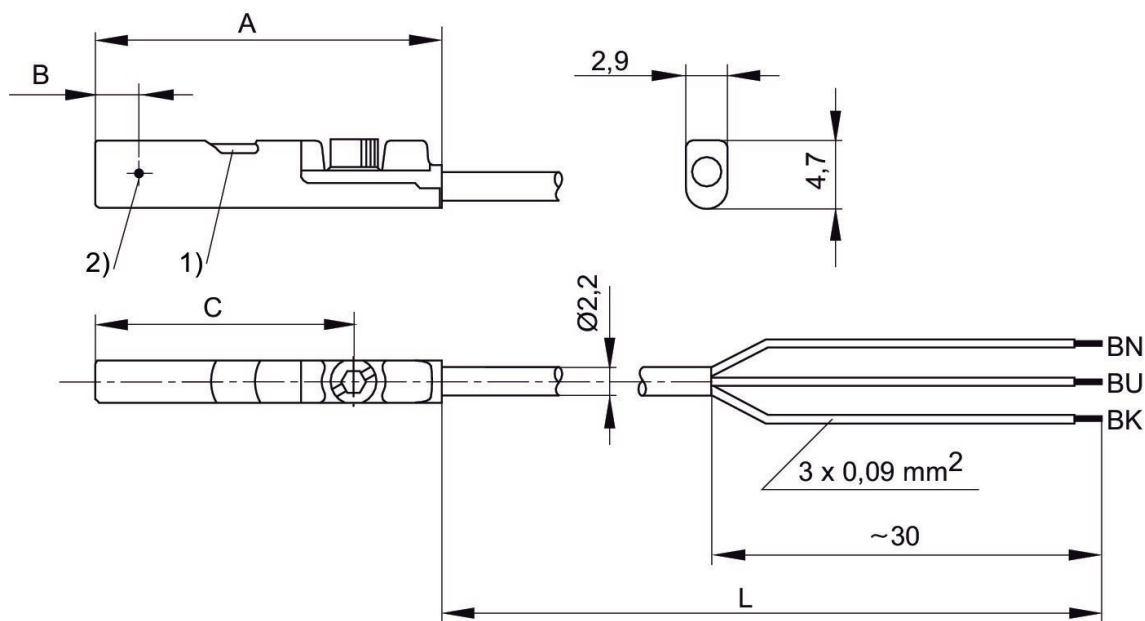
Sensor, Series ST4

PRA
SSI
GSU
RTC
CKP
GPC
MSC
MSN
RCM
CVI
Plug
M8
RoHS



Direct mounting for series	Type of contact	Cable length L [m]	Max. DC switching current [A]	Min. operating voltage DC [V DC]	Max. operating voltage DC [V DC]	Part No.
PRA, SSI, GSU, RTC, CKP, GPC, MSC, MSN, RCM, CVI	electronic PNP	5	0.1	10	30	R412024124

Dimensions



1) LED 2) Switching point
L = cable length BN = brown, BK = black, BU = blue

Part No.	A	B	C
R412024124	23.7	2.8	17.7

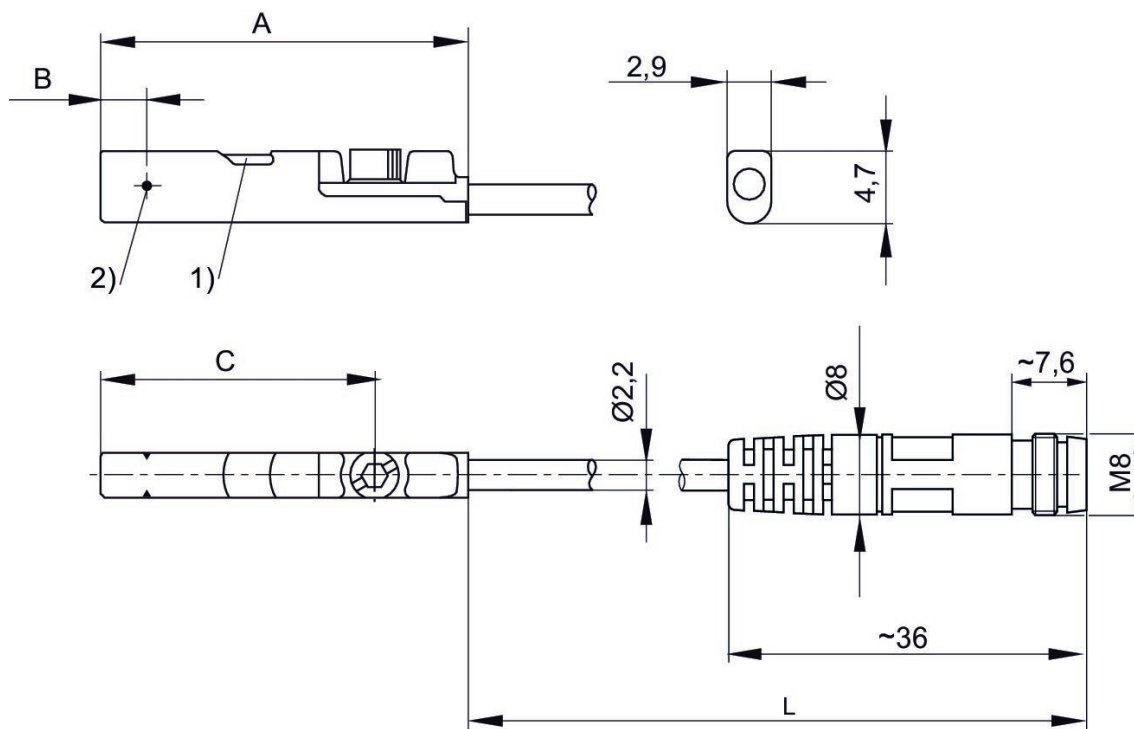
Sensor, Series ST4

PRA
SSI
GSU
RTC
CKP
GSP
MSC
MSN
RCM
CVI
Plug
M8
UL (Underwriters Laboratories)
cULus
RoHS



Direct mounting for series	Type of contact	Cable length L [m]	Max. DC switching current [A]	Max. AC switching current [A]	Min. operating voltage DC [V DC]	Max. operating voltage DC [V DC]	Version	Part No.
PRA, SSI, GSU, RTC, CKP, GSP, MSC, MSN, RCM, CVI	Reed	0.3	0.13	0.13	5	30	Protected against polarity reversal	R412019682
PRA, SSI, GSU, RTC, CKP, GSP, MSC, MSN, RCM, CVI	electronic PNP	0.3	0.1		10	30	short circuit resistant, Protected against polarity reversal	R412019683
PRA, SSI, GSU, RTC, CKP, GSP, MSC, MSN, RCM, CVI	NPN	0.3	0.1		10	30	short circuit resistant, Protected against polarity reversal	R412019694

Dimensions



1) LED 2) Switching point
L = cable length

Part No.	A	B	C
R412019682	26.3	6.3	20.3
R412019683	23.7	2.8	17.7
R412019694	23.7	2.8	17.7

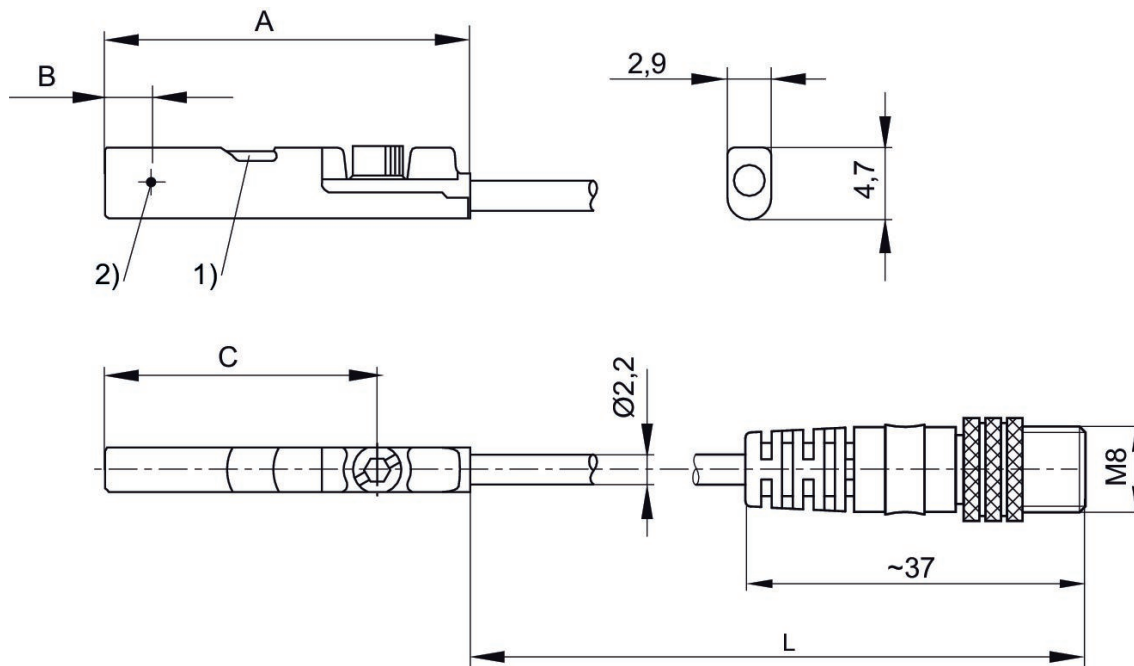
Sensor, Series ST4

PRA
SSI
GSU
RTC
CKP
GPC
MSC
MSN
RCM
CVI
Plug
M8
UL (Underwriters Laboratories)
cULus
RoHS



Direct mounting for series	Type of contact	Cable length L [m]	Max. DC switching current [A]	Max. AC switching current [A]	Min. operating voltage DC [V DC]	Max. operating voltage DC [V DC]	Version	Part No.
PRA, SSI, GSU, RTC, CKP, GPC, MSC, MSN, RCM, CVI	Reed	0.3	0.13	0.13	5	30	Protected against polarity reversal	R412019490
PRA, SSI, GSU, RTC, CKP, GPC, MSC, MSN, RCM, CVI	Reed	0.5	0.13	0.13	5	30	Protected against polarity reversal	R412019686
PRA, SSI, GSU, RTC, CKP, GPC, MSC, MSN, RCM, CVI	electronic PNP	0.3	0.1		10	30	short circuit resistant, Protected against polarity reversal	R412019493
PRA, SSI, GSU, RTC, CKP, GPC, MSC, MSN, RCM, CVI	electronic PNP	0.5	0.1		10	30	short circuit resistant, Protected against polarity reversal	R412019687

Dimensions



1) LED 2) Switching point
L = cable length

Part No.	A	B	C
R412019490	26.3	6.3	20.3
R412019686	26.3	6.3	20.3
R412019493	23.7	2.8	17.7
R412019687	23.7	2.8	17.7

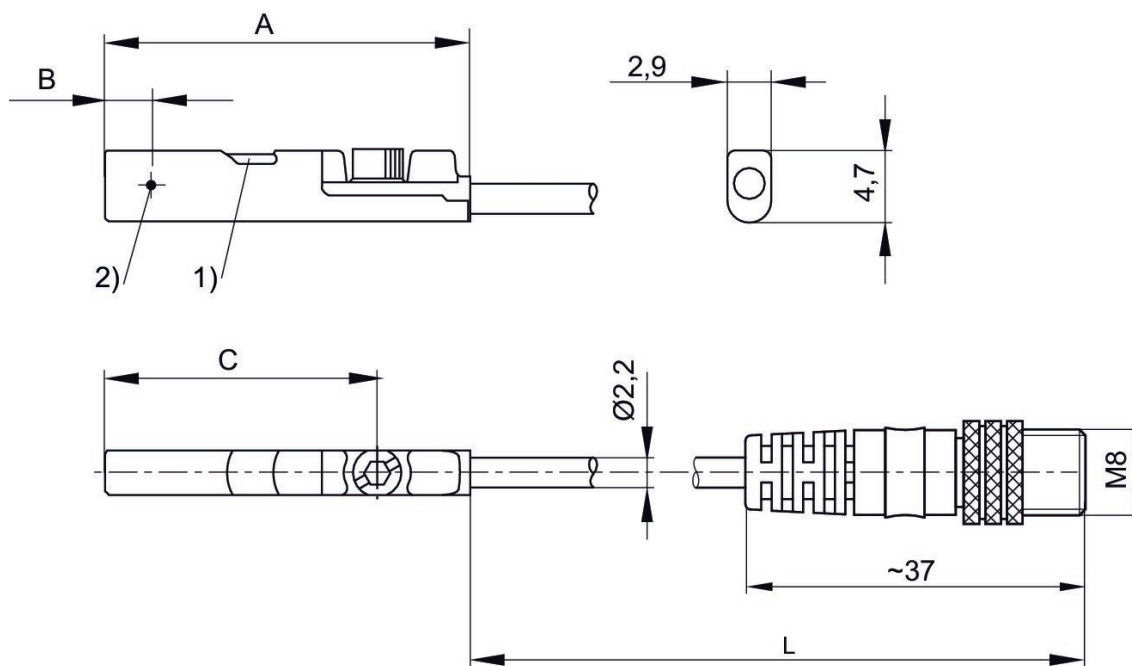
Sensor, Series ST4

PRA
SSI
GSU
RTC
CKP
GPC
MSC
MSN
RCM
CVI
Plug
M8
RoHS



Direct mounting for series	Type of contact	Cable length L [m]	Max. DC switching current [A]	Min. operating voltage DC [V DC]	Max. operating voltage DC [V DC]	Part No.
PRA, SSI, GSU, RTC, CKP, GPC, MSC, MSN, RCM, CVI	NPN	0.3	0.1	10	30	R412024123
PRA, SSI, GSU, RTC, CKP, GPC, MSC, MSN, RCM, CVI	electronic PNP	0.3	0.1	10	30	R412024125

Dimensions



1) LED 2) Switching point
L = cable length

Part No.	A	B	C
R412024123	23.7	2.8	17.7
R412024125	23.7	2.8	17.7

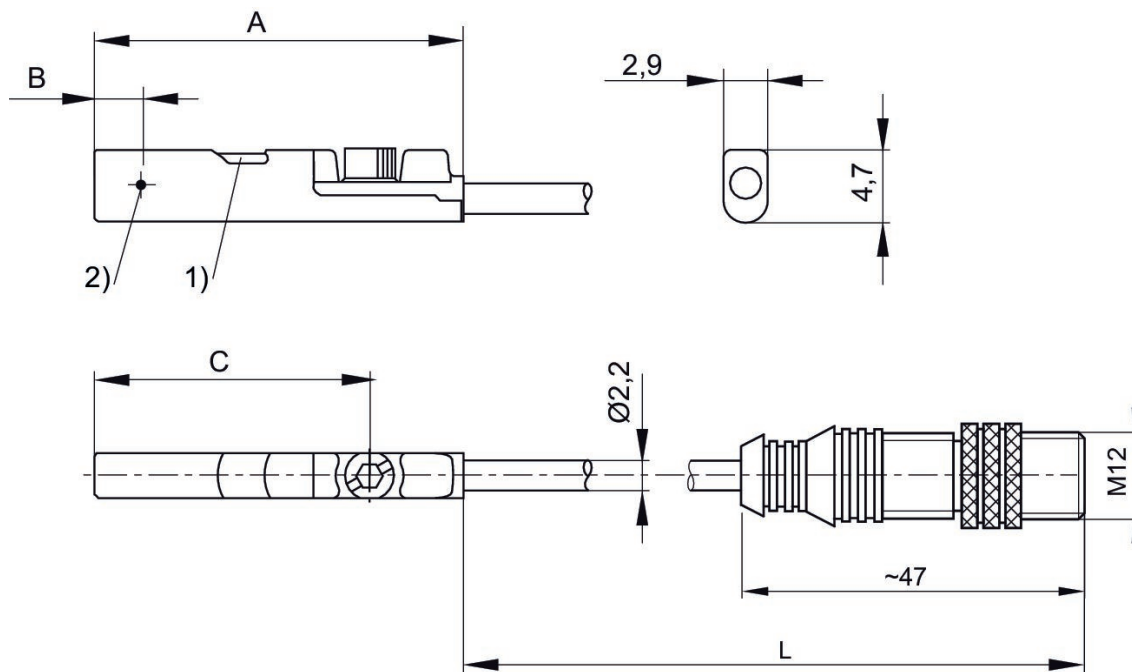
Sensor, Series ST4

PRA
SSI
GSU
RTC
CKP
GPC
MSC
MSN
RCM
CVI
Plug
M12
UL (Underwriters Laboratories)
cULus
RoHS



Direct mounting for series	Type of contact	Cable length L [m]	Max. DC switching current [A]	Max. AC switching current [A]	Min. operating voltage DC [V DC]	Max. operating voltage DC [V DC]	Version	Part No.
PRA, SSI, GSU, RTC, CKP, GPC, MSC, MSN, RCM, CVI	Reed	0.3	0.13	0.13	5	30	Protected against polarity reversal	R412019688
PRA, SSI, GSU, RTC, CKP, GPC, MSC, MSN, RCM, CVI	electronic PNP	0.3	0.1		10	30	short circuit resistant, Protected against polarity reversal	R412019689

Dimensions



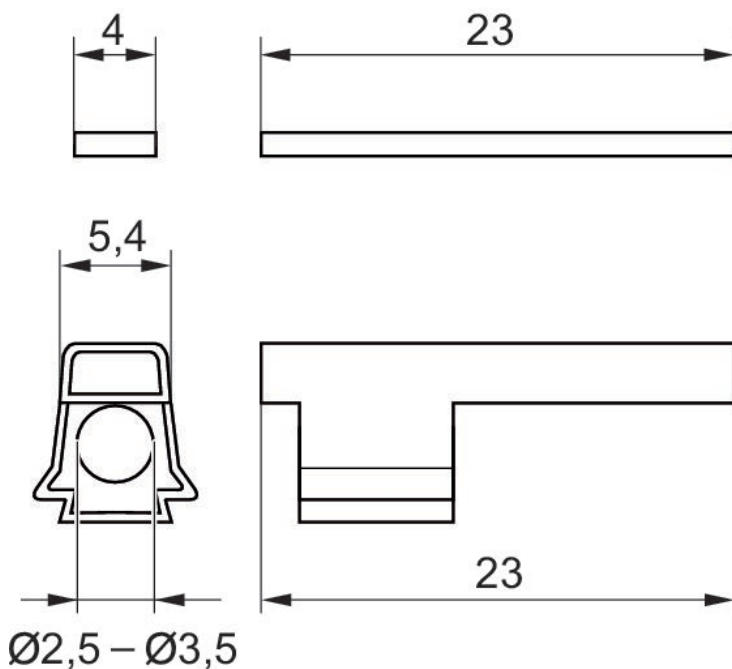
1) LED 2) Switching point
L = cable length

Part No.	A	B	C
R412019688	26.3	6.3	20.3
R412019689	23.7	2.8	17.7

Name plate



Min. ambient temperature [°C]	Max. ambient temperature [°C]	Delivery unit [piece]	Housing material	Part No.
-40	100	10	Polycarbonate	R412026278

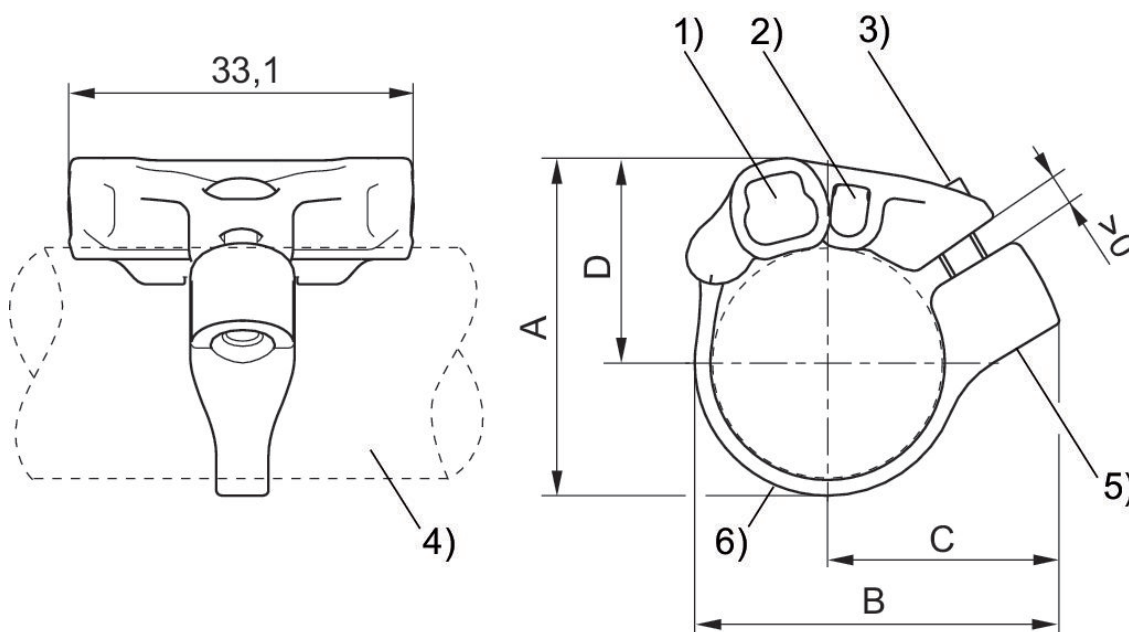


Sensor mounting, Series CB1

ST4
ST6



Min. cylinder Ø [mm]	Material	Part No.
16	Polyamide, Stainless Steel	R412021791
20	Polyamide, Stainless Steel	R412021792
25	Polyamide, Stainless Steel	R412021793

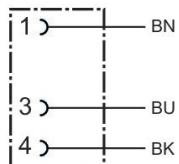


1) Sensor slot for ST6 2) Sensor slot for ST4 3) Mounting screw (made of stainless steel) 4) Cylinder profile 5) Thread insert (made of stainless steel) 6) Tightening strap

Part No.	A	B	C	D
R412021791	27.7	32.5	22.1	17.3
R412021792	32.4	35	22.4	19.7
R412021793	37.4	39.5	24.3	22.2

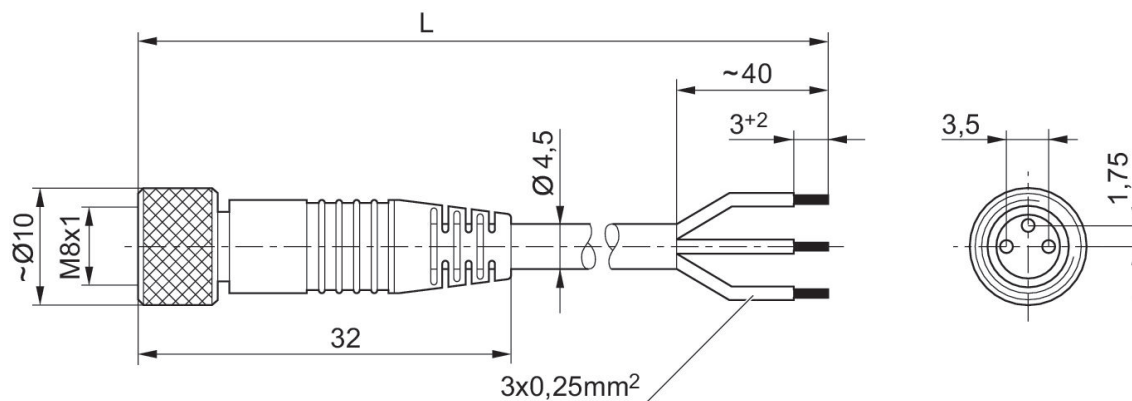
Round plug connector, Series CON-RD

Socket
M8x1
3-pin



Operational voltage	Electrical connection 1, type	Electrical connection 1, thread size	Electrical connection 2, type	Cable length [m]	Part No.
48 V AC/DC	Socket	M8x1	open cable ends	3	1834484166
48 V AC/DC	Socket	M8x1	open cable ends	5	1834484168
48 V AC/DC	Socket	M8x1	open cable ends	10	1834484247

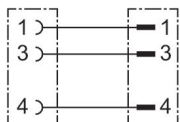
Dimensions



L = length

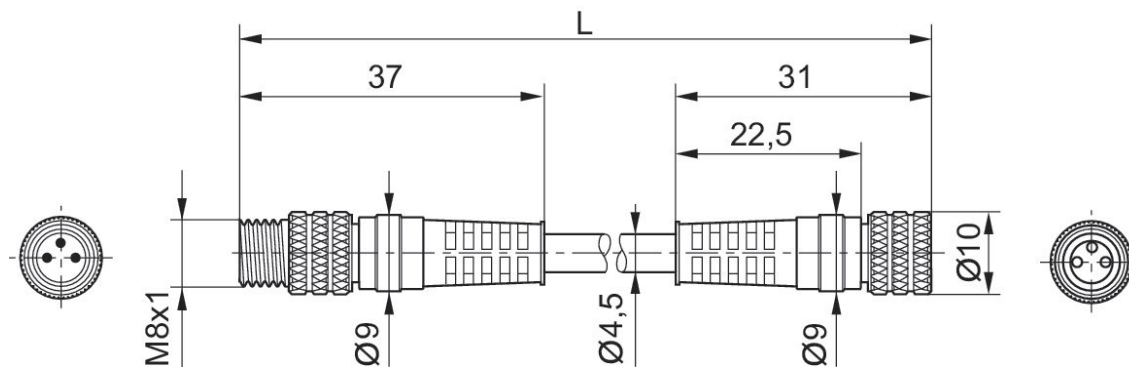
Round plug connector, Series CON-RD

Plug
M8x1
3-pin



Electrical connection 1, type	Electrical connection 1, thread size	Electrical connection 2, type	Cable length [m]	Part No.
Socket	M8x1	Plug	1	8946203702
Socket	M8x1	Plug	2	8946203712
Socket	M8x1	Plug	5	8946203722

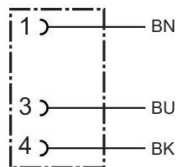
Dimensions



L = length

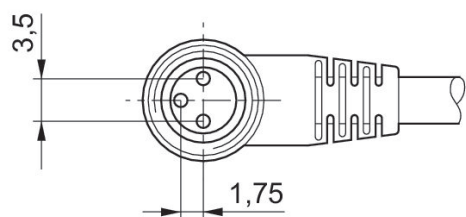
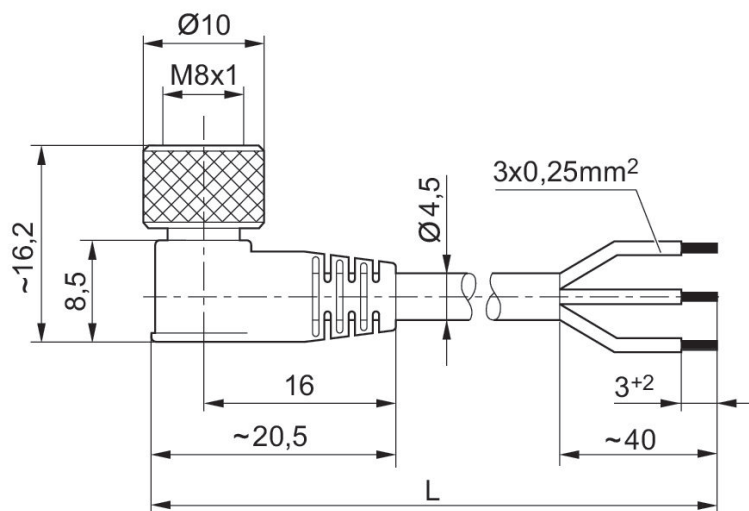
Round plug connector, Series CON-RD

Socket
M8x1
3-pin



Operational voltage	Electrical connection 1, type	Electrical connection 1, thread size	Electrical connection 2, type	Cable length [m]	Part No.
48 V AC/DC	Socket	M8x1	open cable ends	3	1834484167
48 V AC/DC	Socket	M8x1	open cable ends	5	1834484169
48 V AC/DC	Socket	M8x1	open cable ends	10	1834484248

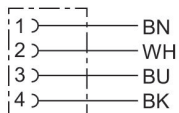
Dimensions



L = length

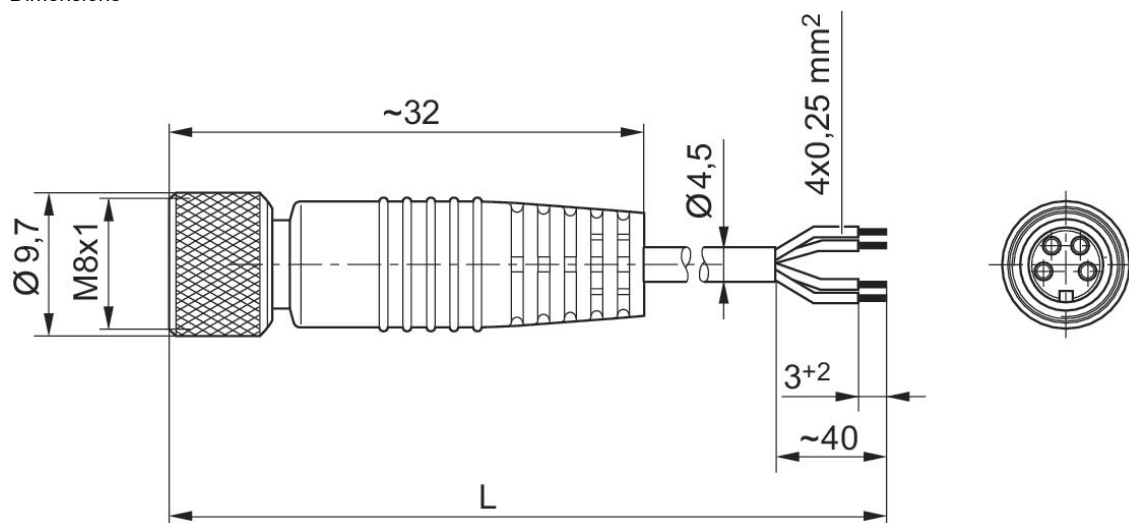
Round plug connector, Series CON-RD

Socket
M8x1
4-pin



Operational voltage	Electrical connection 1, type	Electrical connection 1, thread size	Electrical connection 2, type	Cable length [m]	Part No.
48 V AC/DC	Socket	M8x1	open cable ends	3	1834484144
48 V AC/DC	Socket	M8x1	open cable ends	5	1834484146

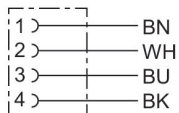
Dimensions



L = length

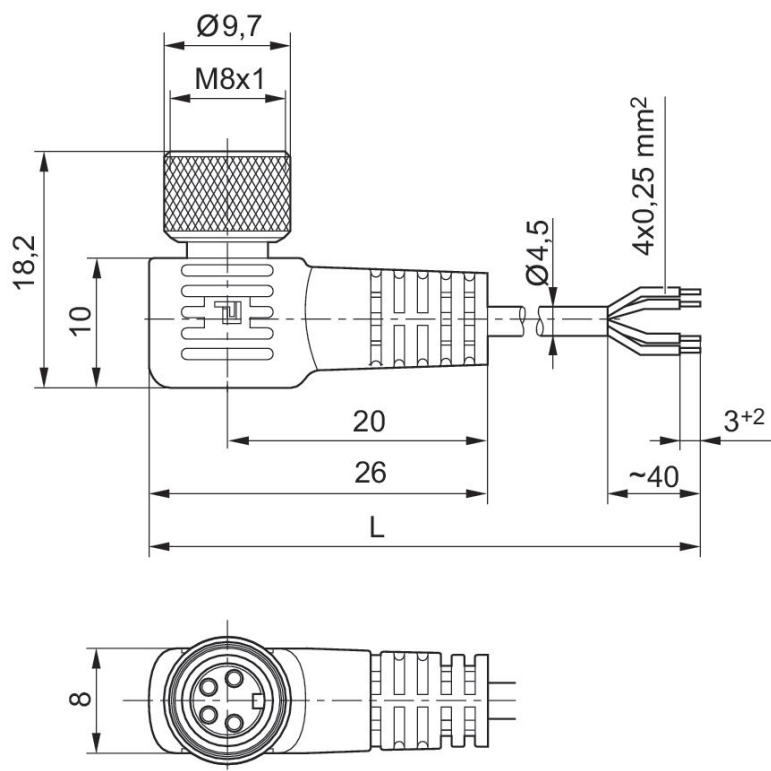
Round plug connector, Series CON-RD

Socket
M8x1
4-pin



Operational voltage	Electrical connection 1, type	Electrical connection 1, thread size	Electrical connection 2, type	Cable length [m]	Part No.
48 V AC/DC	Socket	M8x1	open cable ends	3	1834484145
48 V AC/DC	Socket	M8x1	open cable ends	5	1834484147

Dimensions in mm



L = length

Efficient pneumatic solutions, our program: cylinders and drives, valves and valve systems, air supply management



Visit us: [Emerson.com/Aventics](https://www.emerson.com/aventics)

Your local contact: [Emerson.com/contactus](https://www.emerson.com/contactus)



[Emerson.com](https://www.emerson.com)



[Facebook.com/EmersonAutomationSolutions](https://www.facebook.com/EmersonAutomationSolutions)



[LinkedIn.com/company/Emerson-Automation-Solutions](https://www.linkedin.com/company/Emerson-Automation-Solutions)



[Twitter.com/EMR_Automation](https://twitter.com/EMR_Automation)

An example configuration is depicted on the title page. The delivered product may thus vary from that in the illustration. Subject to change. This Document, as well as the data, specifications and other information set forth in it, are the exclusive property of AVENTICS GmbH. It may not be reproduced or given to third parties without its consent. Only use the AVENTICS products shown in industrial applications. Read the product documentation completely and carefully before using the product. Observe the applicable regulations and laws of the respective country. When integrating the product into applications, note the system manufacturer's specifications for safe use of the product. The data specified only serve to describe the product. No statements concerning a certain condition or suitability for a certain application can be derived from our information. The information given does not release the user from the obligation of own judgment and verification. It must be remembered that the products are subject to a natural process of wear and aging.

The Emerson logo is a trademark and service mark of Emerson Electric Co. Brand logotype are registered trademarks of one of the Emerson family of companies. All other marks are the property of their respective owners. © 2019 Emerson Electric Co. All rights reserved.



CONSIDER IT SOLVED™