

Series SN6



AVENTICS™

**AVENTICS Series SN6 Magnetic
proximity sensors**


EMERSON™

Sensors, Series SN6

AVENTICS Series SN6 Reed Magnetic sensors that fit with tie rod cylinders, heat and shock resistance make this sensor perfect for demanding applications.

- Type of contact: reed
- ATEX
- Variant: form B, industry
- 2-pin
- Heat resistant



Product overview

Magnetic proximity sensors

	Page
Sensor, Series SN6, open cable ends.....	4
Sensor, Series SN6, Form B, industry.....	6
Sensor, Series SN6, Form B, industry, ATEX.....	8

Mechanical accessories

Sensor mounting, Series CB1.....	10
Sensor mounting, Series CB1.....	11
Sensor mounting, Series CB1.....	12

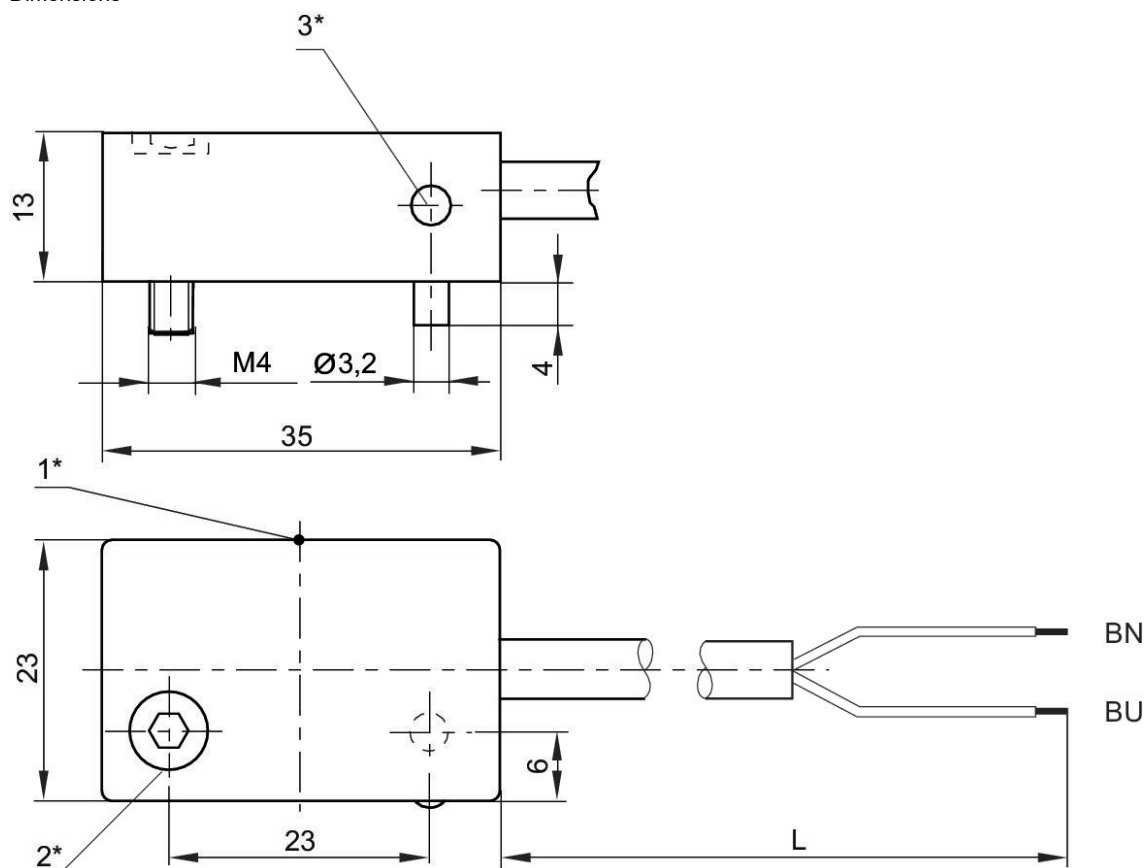
Sensor, Series SN6, open cable ends

Electrical connection 2, type: without wire end ferrule, tin-plated



Switch descr.	Electrical connection number of poles	Max. DC switching current [A]	Max. AC switching current [A]	Min. operating voltage DC [V DC]	Max. operating voltage DC [V DC]	Min. operating voltage AC [V AC]	Max. operational voltage AC [V AC]	Cable sheath	Cable length L [m]	Version	Part No.
Reed	2-pin	0.5	0.5	10	48	10	48	Polyvinyl chloride	2.5	Protected against polarity reversal	8940412022
Reed	2-pin	0.5	0.5	10	48	10	48	Polyvinyl chloride	6	Protected against polarity reversal	8940412032
Reed	2-pin	3	3	10	48	10	48	Polyvinyl chloride	2.5	Protected against polarity reversal	8940411902
Reed	2-pin	3	3	10	48	10	48	Polyvinyl chloride	10	Protected against polarity reversal	8940411922

Dimensions



1* = switching point 2* = clamping screw 3* = LED
L = cable length BN=brown, BU=blue

Sensor, Series SN6, Form B, industry

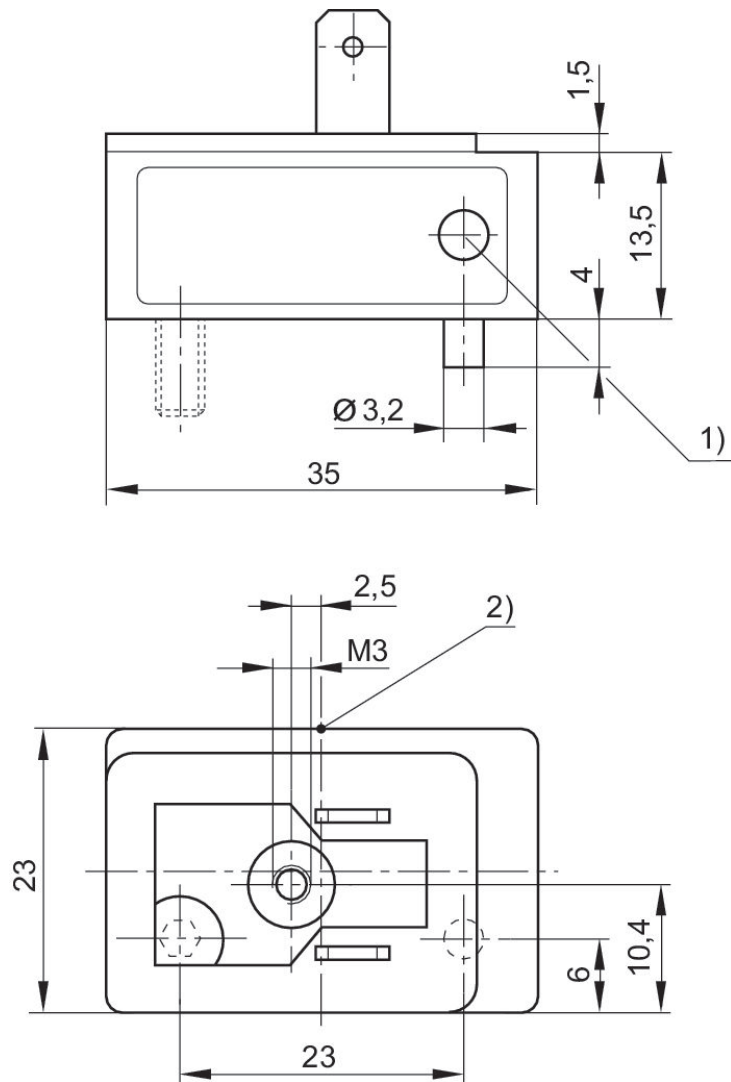
Electrical connection 2, type: Plug

Electrical connection 2, thread size: Form B, industry



Switch descr.	Electrical connection number of poles	Max. DC switching current [A]	Max. AC switching current [A]	Min. operating voltage DC [V DC]	Max. operating voltage DC [V DC]	Min. operating voltage AC [V AC]	Max. operational voltage AC [V AC]	Version	Part No.
Reed	2-pin	3	3	10	48	10	48		8940410602
Reed	2-pin	0.5	0.5	10	48	10	48	Protected against polarity reversal	8940410612

Dimensions



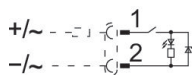
- 1) LED
- 2) Switching point

Sensor, Series SN6, Form B, industry, ATEX

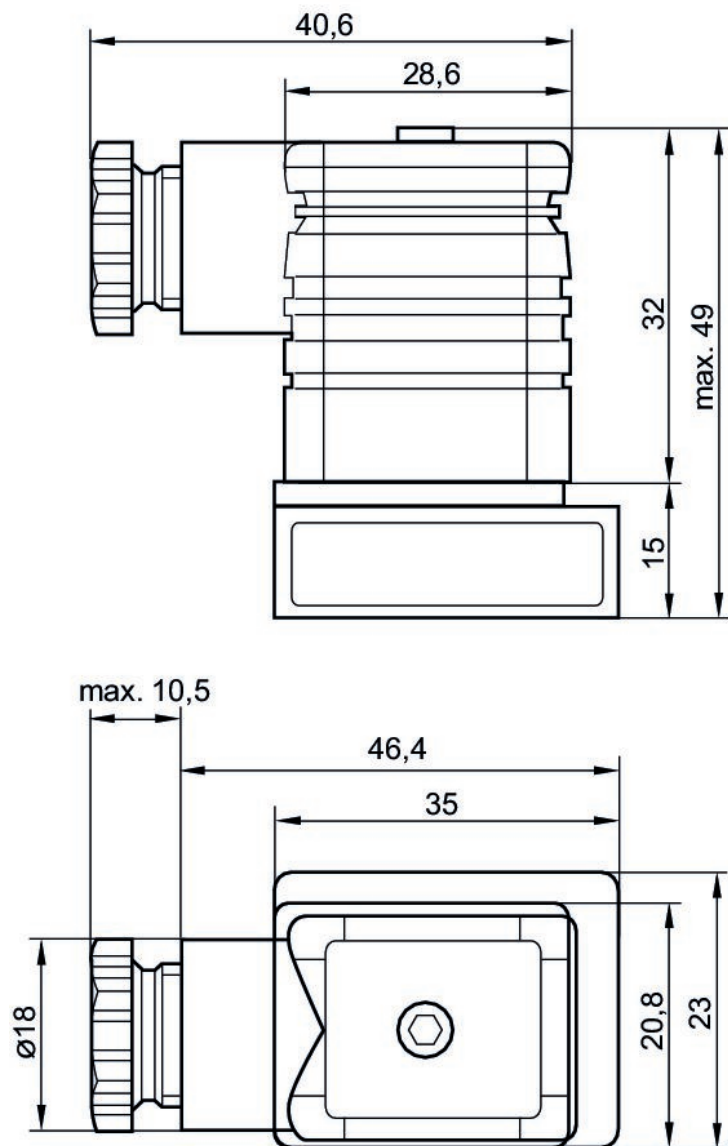
Electrical connection 2, type: Plug

Electrical connection 2, thread size: Form B, industry

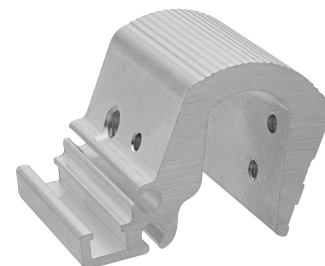
Certificates: ATEX



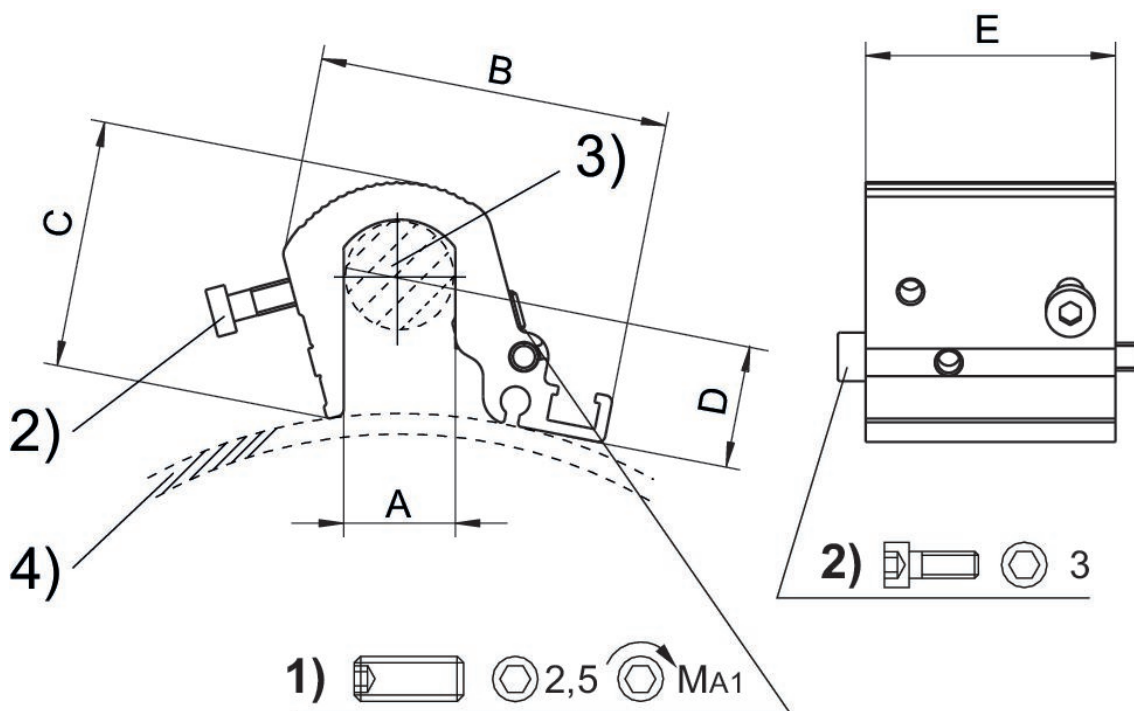
Switch descr.	Electrical connection number of poles	Max. DC switching current [A]	Max. AC switching current [A]	Min. operating voltage DC [V DC]	Max. operating voltage DC [V DC]	Min. operating voltage AC [V AC]	Max. operational voltage AC [V AC]	Version	Part No.
Reed	2-pin	0.1	0.1	21.6	26.4	210	240	Protected against polarity reversal	R412000823



Sensor mounting, Series CB1



Min. cylinder Ø [mm]	Max. cylinder Ø [mm]	for sensor	Material	Part No.
160	200	ST6, SN2, SN6, SN1, SM6	Aluminum	R412017979
250	320	ST6, SN2, SN6, SN1, SM6	Aluminum	R412017980



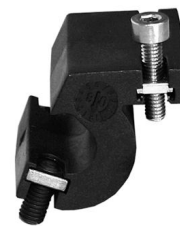
1) Clamping threaded pin 2) Mounting screws for sensor 3) Tie rod 4) Cylinder profile

Cylinders Ø	Part No.	A	B	C	D	E	MA1 [Nm]
160 - 200 mm	R412017979	16	51	36	6.8	36	2
250 - 320 mm	R412017980	24	56	44.5	6.8	36	2

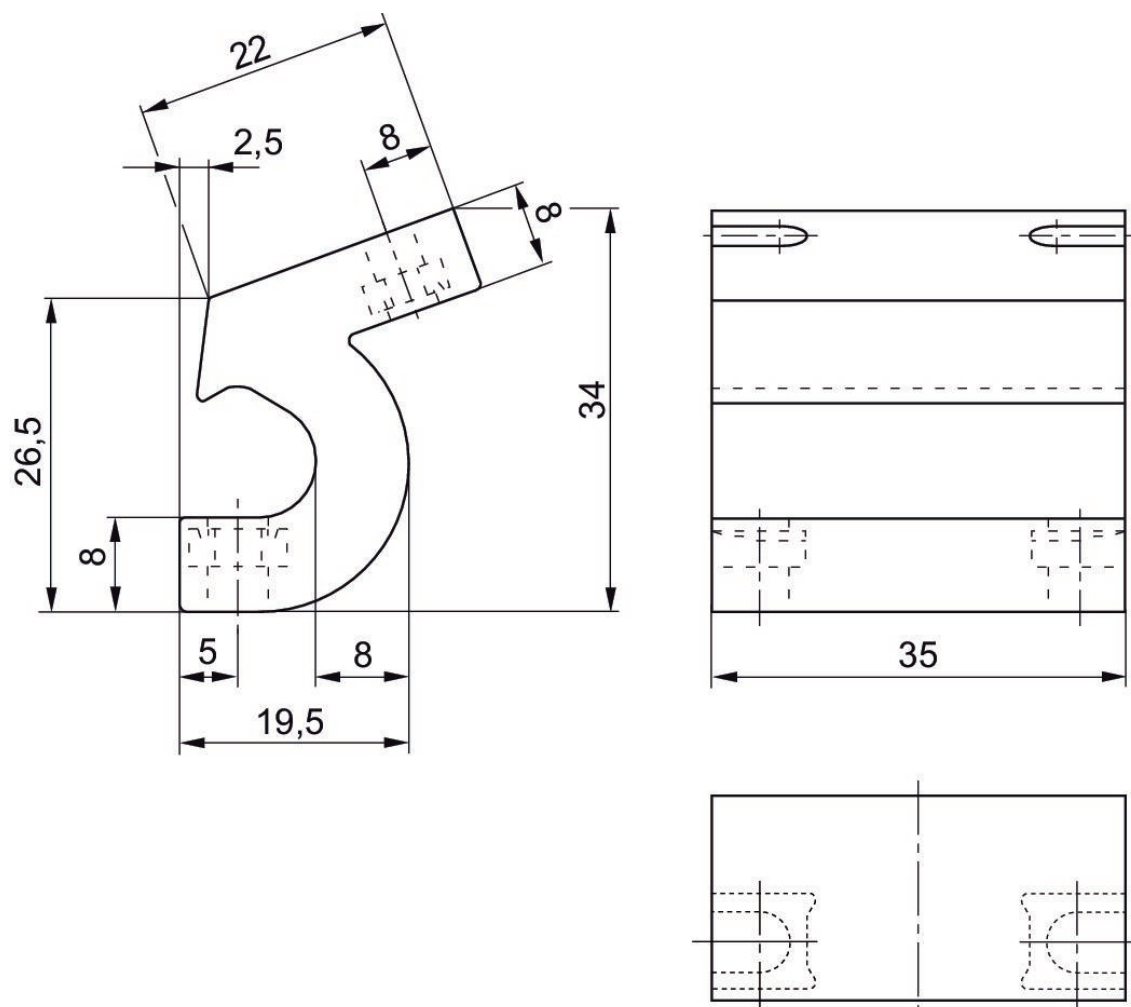
Scope of delivery: Incl. mounting screws

Sensor mounting, Series CB1

For series: SN6



Min. cylinder Ø [mm]	Max. cylinder Ø [mm]	Material	Part No.
32	63	Polyamide	5230033502

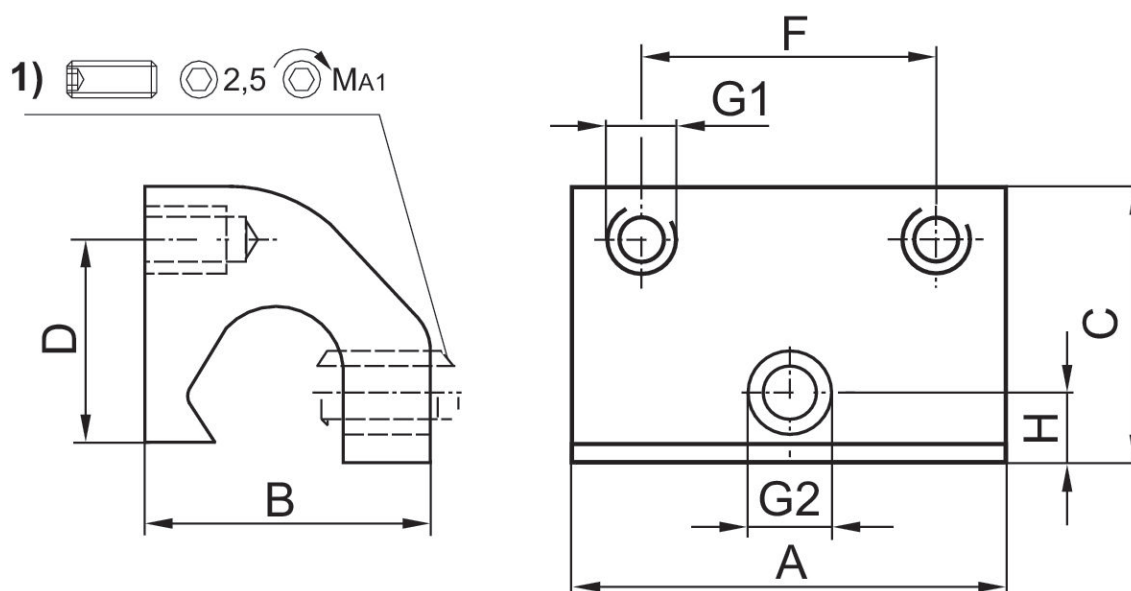


Sensor mounting, Series CB1

For series: SN6



Min. cylinder Ø [mm]	Max. cylinder Ø [mm]	Material	Part No.
32	63	Aluminum	3220613562
80	125	Aluminum	3220643562







1) Clamping threaded pin

Part No.	Cylinders Ø	A	B	C	D	F	G1	G2	H	MA1 [Nm]
3220643562	80 - 125 mm	35	22	21	12	23	M4	M5	5	1,8 +0,4
3220613562	32 - 63 mm	35	22	21	16	23	M4	M5	5	1,8 +0,4

Efficient pneumatic solutions, our program:
cylinders and drives, valves and valve systems,
air supply management, proportional pressure
control valves



Visit us: www.Emerson.com/aventics
Your local contact: Emerson.com/contactus

-  Emerson.com
-  Facebook.com/EmersonAutomationSolutions
-  LinkedIn.com/company/Emerson-Automation-Solutions
-  Twitter.com/EMR_Automation



The Emerson logo is a trademark and service mark of Emerson Electric Co. AVENTICS is a registered trademark of one of the Emerson family of companies. All other trademarks are the property of their respective owners. © 2020 Emerson Electric Co. All rights reserved.



CONSIDER IT SOLVED™