

系列 SN3



AVENTICS™

AVENTICS SN3 系列磁性接近传感器


EMERSON™

传感器, 系列 SN3

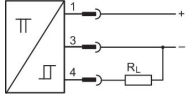
安沃驰 SN3 系列磁性传感器是严苛环境 (特别是焊接应用) 的理想选择。

- 连接方式型 PNP
- 适用于焊接行业的型号



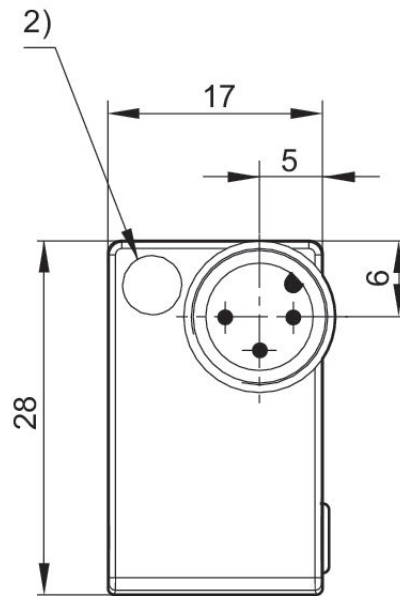
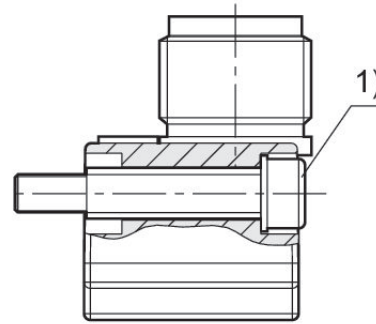
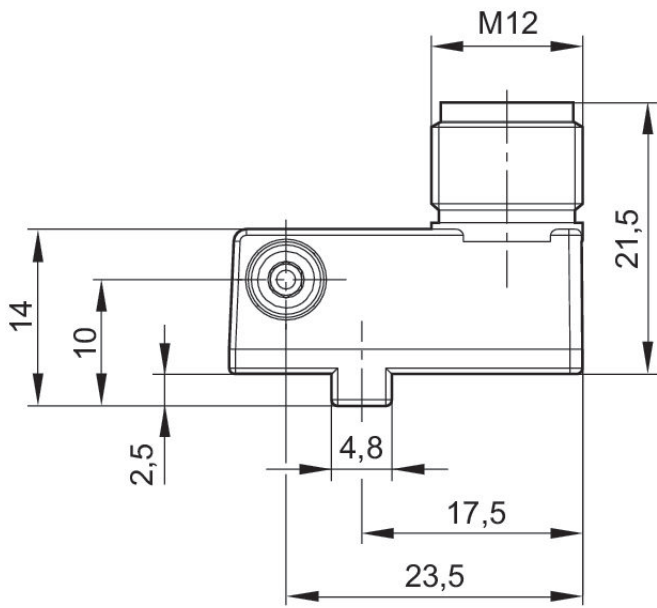
传感器, 系列 SN3

多芯插头
M12
3-针



间接安装用于系列	连接方式型	额定电压	电气连接 尺寸	电气连接 极数	物料号
PRA, PRE, CCI, KPZ, KHZ, FLT, GPC, CVI	PNP	10-30 V DC	M12	3-针	0830100438

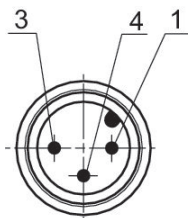
规格



1) 紧固螺丝
2) 发光二极管
线脚设置：1 = (+)、3 = (-)、4 = (OUT)、EN 60947-5-2:1998

0830100438

线脚设置

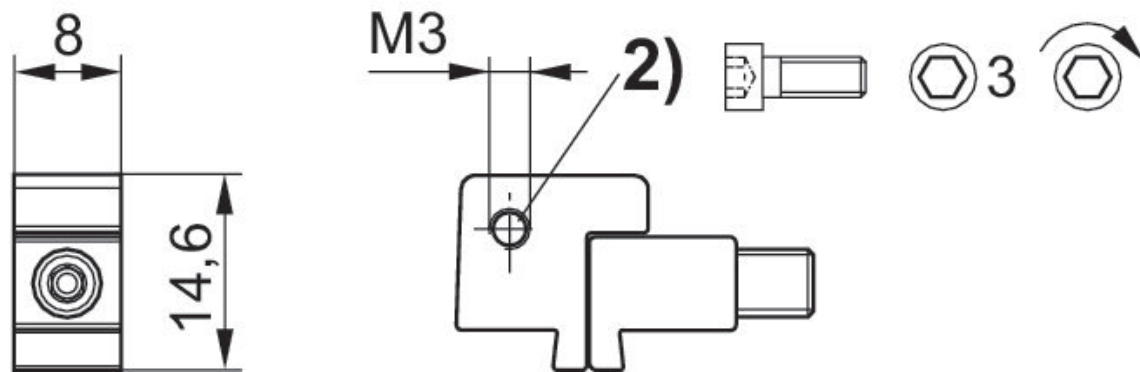
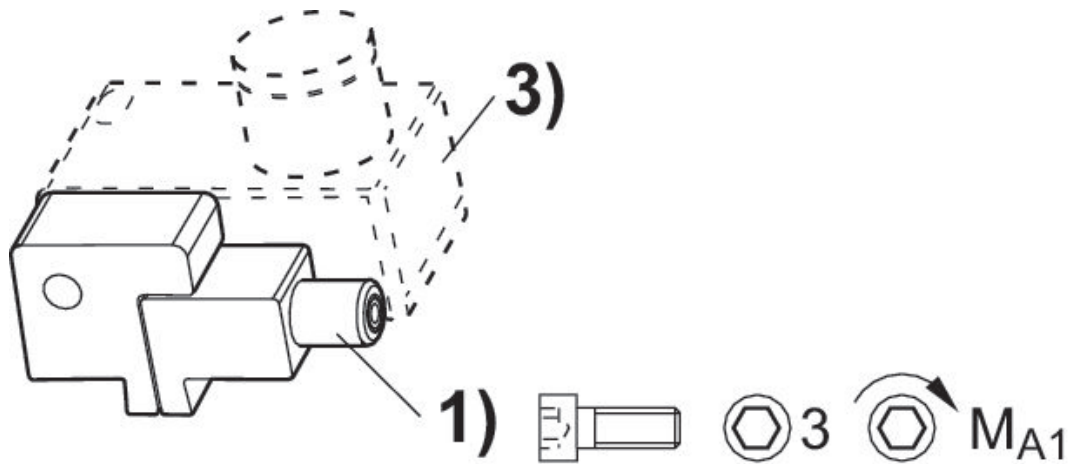


传感器固定设备, 系列 CB1

SN3



材料	物料号
铝材	1827020386



1) 紧固螺丝 2) 传感器固定螺钉 3) 传感器

物料号	紧固螺丝	MA1 [Nm]
1827020386	M3x25	1,8 +0,4

Efficient pneumatic solutions, our program: cylinders and drives, valves and valve systems, air supply management



Visit us: [Emerson.com/Aventics](https://www.emerson.com/Aventics)

Your local contact: [Emerson.com/contactus](https://www.emerson.com/contactus)



[Emerson.com](https://www.emerson.com)



[Facebook.com/EmersonAutomationSolutions](https://www.facebook.com/EmersonAutomationSolutions)



[LinkedIn.com/company/Emerson-Automation-Solutions](https://www.linkedin.com/company/Emerson-Automation-Solutions)



[Twitter.com/EMR_Automation](https://twitter.com/EMR_Automation)

An example configuration is depicted on the title page. The delivered product may thus vary from that in the illustration. Subject to change. This Document, as well as the data, specifications and other information set forth in it, are the exclusive property of AVENTICS GmbH. It may not be reproduced or given to third parties without its consent. Only use the AVENTICS products shown in industrial applications. Read the product documentation completely and carefully before using the product. Observe the applicable regulations and laws of the respective country. When integrating the product into applications, note the system manufacturer's specifications for safe use of the product. The data specified only serve to describe the product. No statements concerning a certain condition or suitability for a certain application can be derived from our information. The information given does not release the user from the obligation of own judgment and verification. It must be remembered that the products are subject to a natural process of wear and aging.

The Emerson logo is a trademark and service mark of Emerson Electric Co. Brand logotype are registered trademarks of one of the Emerson family of companies. All other marks are the property of their respective owners. © 2019 Emerson Electric Co. All rights reserved.



CONSIDER IT SOLVED™