

Serie SN3



AVENTICS™

**Sensori di prossimit  magnetici
serie SN3 AVENTICS**


EMERSON™

Sensori, Serie SN3

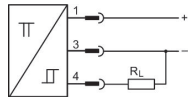
La serie AVENTICS SN3 è costituita da sensori magnetici ideali per gli ambienti più impegnativi, in particolare per le applicazioni di saldatura.

- Tipo di contatto PNP
- Variante resistente alla saldatura



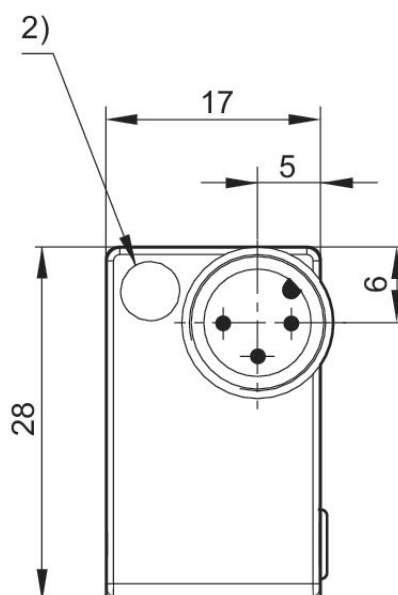
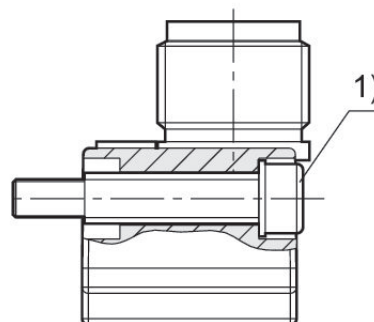
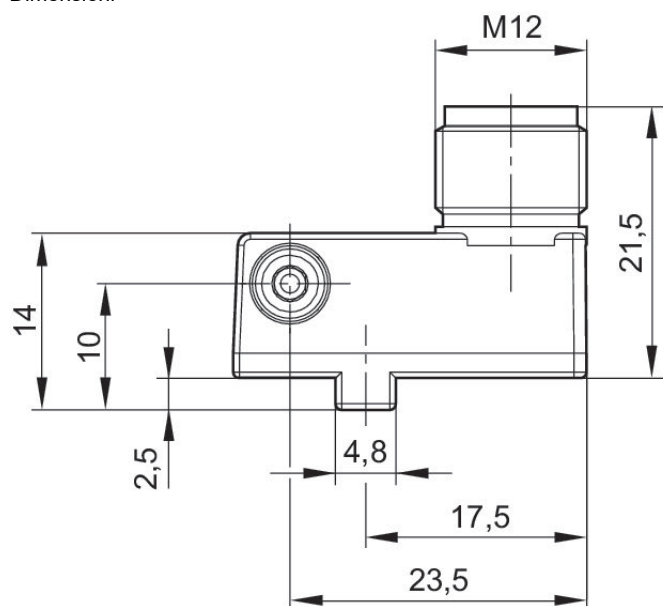
Sensore, Serie SN3

Connettore
M12
A 3 poli



Montaggio indiretto per serie	Tipo di contatto	Tensione di esercizio	Attacco elettrico taglia	Conexión eléctrica número poli	Codice
PRA, PRE, CCI, KPZ, KHZ, FLT, GPC, CVI	PNP	10-30 V DC	M12	A 3 poli	0830100438

Dimensioni



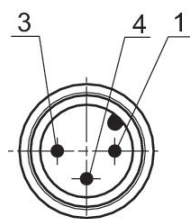
1) Vite di fissaggio

2) LED

Occupazione pin: 1 = (+), 3 = (-), 4 = (OUT), EN 60947-5-2:1998

0830100438

Occupazione pin

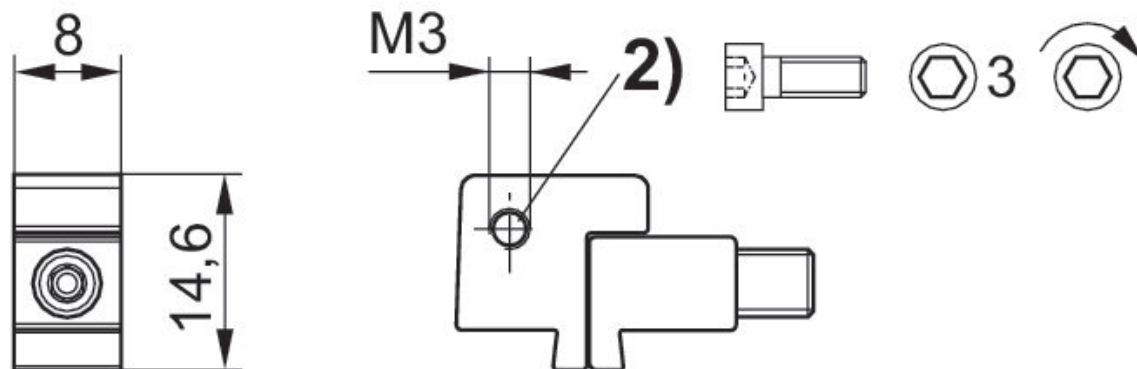
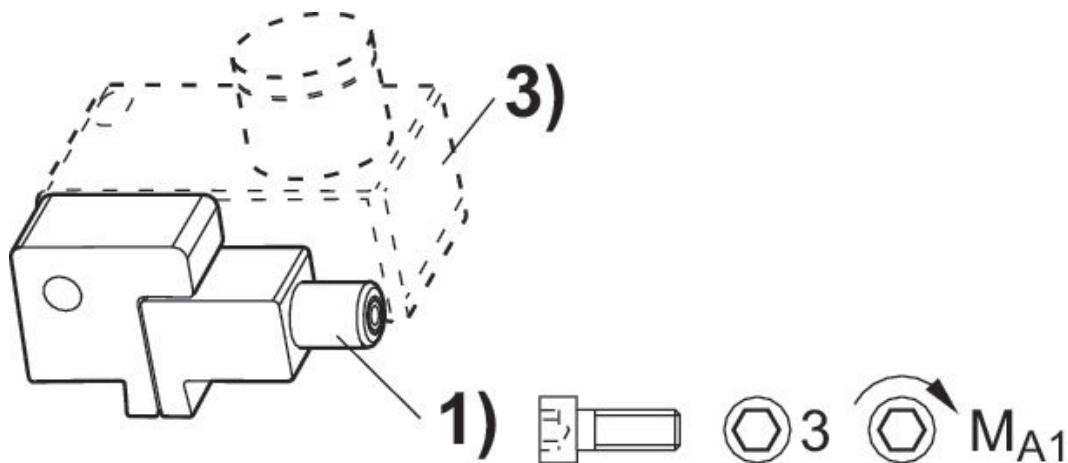


Fissaggio sensore, Serie CB1

SN3



Materiale	Codice
Alluminio	1827020386



1) vite di bloccaggio 2) vite di fissaggio per sensore 3) sensore

Codice	Vite di fissaggio	MA1 [Nm]
1827020386	M3x25	1,8 +0,4

Efficient pneumatic solutions, our program: cylinders and drives, valves and valve systems, air supply management



Visit us: [Emerson.com/Aventics](https://www.emerson.com/aventics)

Your local contact: [Emerson.com/contactus](https://www.emerson.com/contactus)



[Emerson.com](https://www.emerson.com)



[Facebook.com/EmersonAutomationSolutions](https://www.facebook.com/EmersonAutomationSolutions)



[LinkedIn.com/company/Emerson-Automation-Solutions](https://www.linkedin.com/company/Emerson-Automation-Solutions)



[Twitter.com/EMR_Automation](https://twitter.com/EMR_Automation)

An example configuration is depicted on the title page. The delivered product may thus vary from that in the illustration. Subject to change. This Document, as well as the data, specifications and other information set forth in it, are the exclusive property of AVENTICS GmbH. It may not be reproduced or given to third parties without its consent. Only use the AVENTICS products shown in industrial applications. Read the product documentation completely and carefully before using the product. Observe the applicable regulations and laws of the respective country. When integrating the product into applications, note the system manufacturer's specifications for safe use of the product. The data specified only serve to describe the product. No statements concerning a certain condition or suitability for a certain application can be derived from our information. The information given does not release the user from the obligation of own judgment and verification. It must be remembered that the products are subject to a natural process of wear and aging.

The Emerson logo is a trademark and service mark of Emerson Electric Co. Brand logotype are registered trademarks of one of the Emerson family of companies. All other marks are the property of their respective owners. © 2019 Emerson Electric Co. All rights reserved.



CONSIDER IT SOLVED™