

Series SN3



AVENTICS™

**AVENTICS Series SN3 Magnetic
proximity sensors**


EMERSON™

Sensors, Series SN3

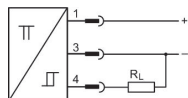
AVENTICS Series SN3 are Magnetic sensor ideal for demanding environment, especially for welding applications.

- Type of contact: PNP
- Variant: welding-proof



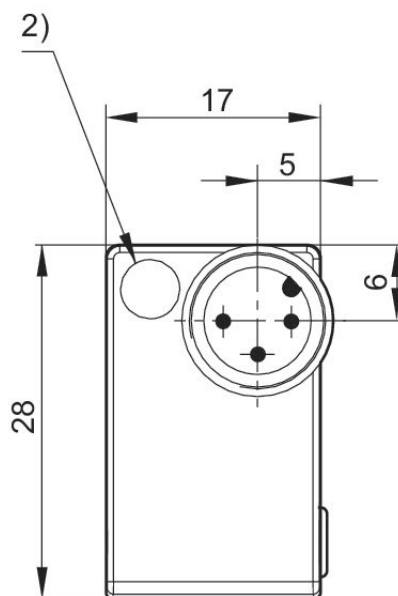
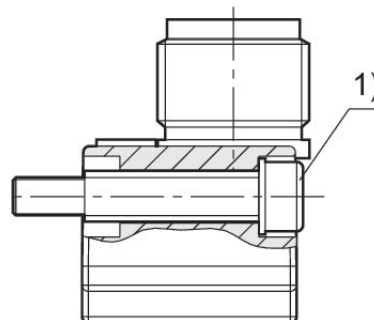
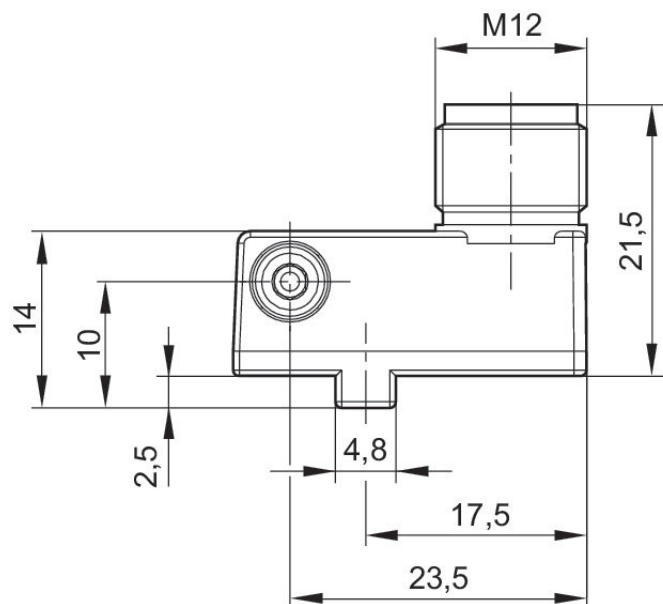
Sensor, Series SN3

Plug
M12
3-pin



Indirect mounting for series	Type of contact	Operational voltage	Electrical connection size	Electrical connection number of poles	Part No.
PRA, PRE, CCI, KPZ, KHZ, FLT, GPC, CVI	PNP	10-30 V DC	M12	3-pin	0830100438

Dimensions



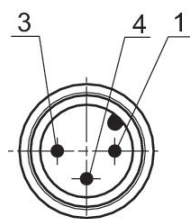
1) Clamping screw

2) LED

Pin assignments: 1 = (+), 3 = (-), 4 = (OUT), EN 60947-5-2:1998

0830100438

Pin assignments

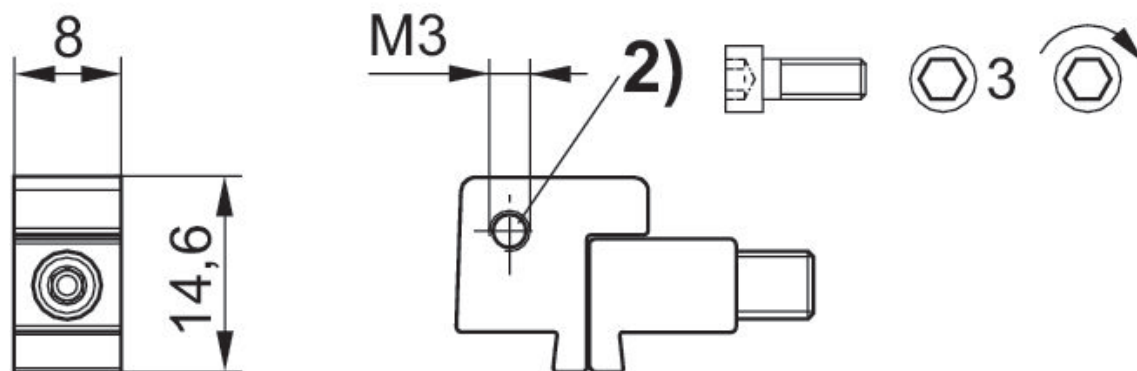
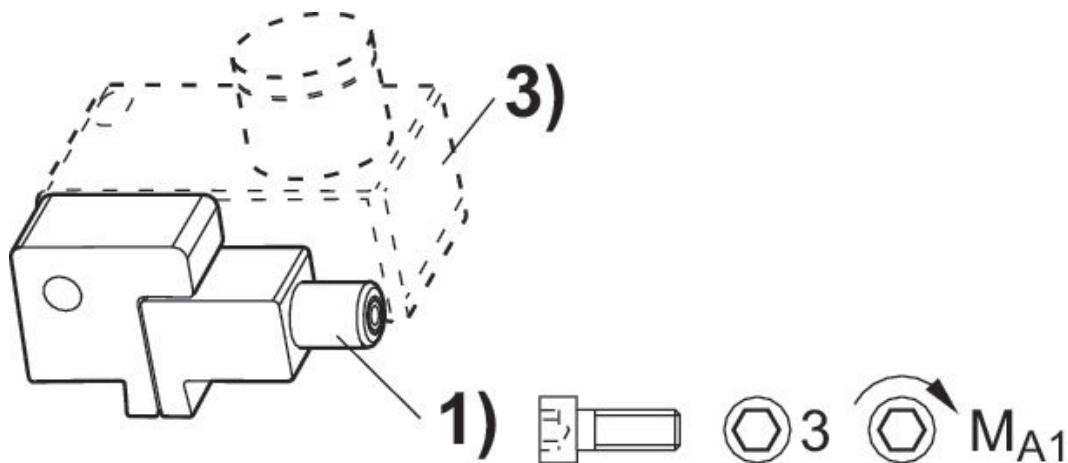


Sensor mounting, Series CB1

SN3



Material	Part No.
Aluminum	1827020386



1) Clamping screw 2) Mounting screw for sensor 3) Sensor

Part No.	Clamp- ing screw	MA1 [Nm]
1827020386	M3x25	1,8 +0,4

Efficient pneumatic solutions, our program: cylinders and drives, valves and valve systems, air supply management



Visit us: [Emerson.com/Aventics](https://www.emerson.com/aventics)

Your local contact: [Emerson.com/contactus](https://www.emerson.com/contactus)



[Emerson.com](https://www.emerson.com)



[Facebook.com/EmersonAutomationSolutions](https://www.facebook.com/EmersonAutomationSolutions)



[LinkedIn.com/company/Emerson-Automation-Solutions](https://www.linkedin.com/company/Emerson-Automation-Solutions)



[Twitter.com/EMR_Automation](https://twitter.com/EMR_Automation)

An example configuration is depicted on the title page. The delivered product may thus vary from that in the illustration. Subject to change. This Document, as well as the data, specifications and other information set forth in it, are the exclusive property of AVENTICS GmbH. It may not be reproduced or given to third parties without its consent. Only use the AVENTICS products shown in industrial applications. Read the product documentation completely and carefully before using the product. Observe the applicable regulations and laws of the respective country. When integrating the product into applications, note the system manufacturer's specifications for safe use of the product. The data specified only serve to describe the product. No statements concerning a certain condition or suitability for a certain application can be derived from our information. The information given does not release the user from the obligation of own judgment and verification. It must be remembered that the products are subject to a natural process of wear and aging.

The Emerson logo is a trademark and service mark of Emerson Electric Co. Brand logotype are registered trademarks of one of the Emerson family of companies. All other marks are the property of their respective owners. © 2019 Emerson Electric Co. All rights reserved.



CONSIDER IT SOLVED™