

Pressure regulators, Series M Plus™



AVENTICS™

**AVENTICS Series M Plus
Manually operated pressure
regulators**


EMERSON™

Series M-Plus®



Product overview

	Page
Pressure regulators, Series M Plus™	
Pressure regulators, Series M Plus™ Pedal	4
Pressure regulators, Series M Plus™ Hand lever	6
Pressure regulators, Series M Plus™ Hand lever	8
Pressure regulators, Series M Plus™ Hand lever, with spring return	10
Pressure regulators, Series M Plus™	12

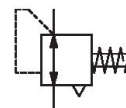
Pressure regulators, Series M Plus™

Flow: 200 l/min

Ambient temperature min./max.: -40 °C ... 71 °C

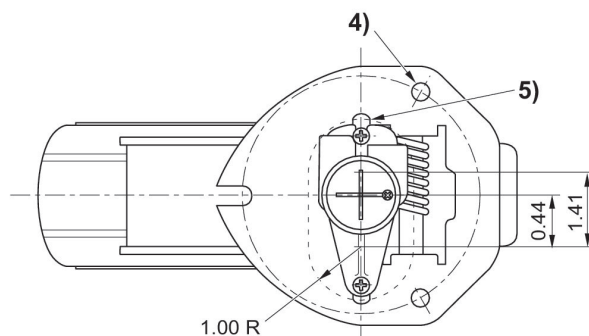
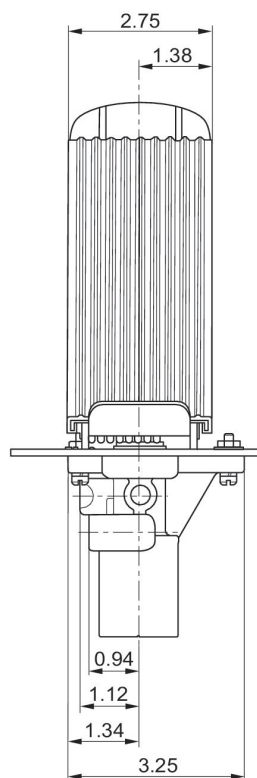
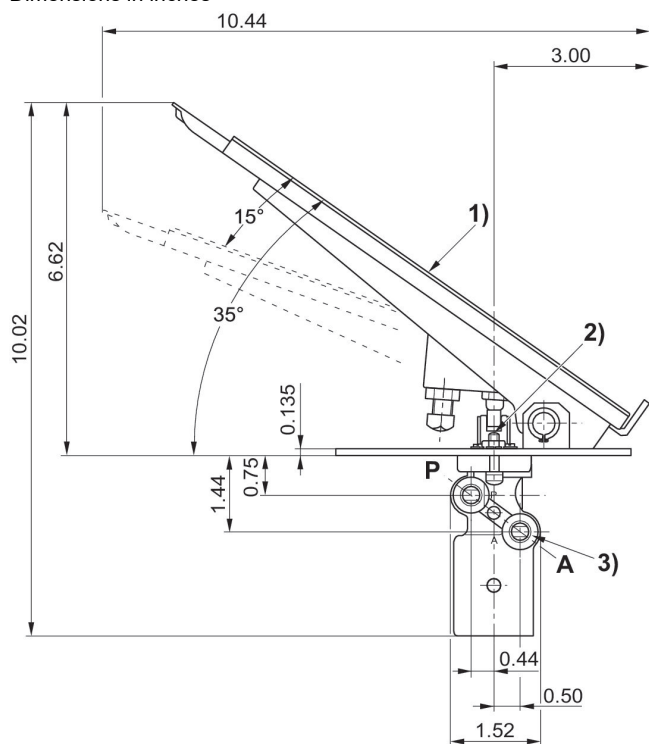
Medium temperature min./max.: -40 °C ... 71 °C

Working pressure min./max.: 0 bar ... 10.3 bar



Compressed air connection output	Nominal flow [l/min]	Min. regulation range [bar]	Max. regulation range [bar]	Actuating element	Part No.
1/8-27 NPTF	200	0	4.1	Pedal	R431000662
1/8-27 NPTF	200	0	6.8	Pedal	R431000663

Dimensions in inches



- 1) Pedal
- 2) Exhaust
- 3) 1/8-27 NPTF
- 4) 0.34 diameter through 3 places equally spaced on a 4.50 diameter between centers.
- 5) panel mounting hole

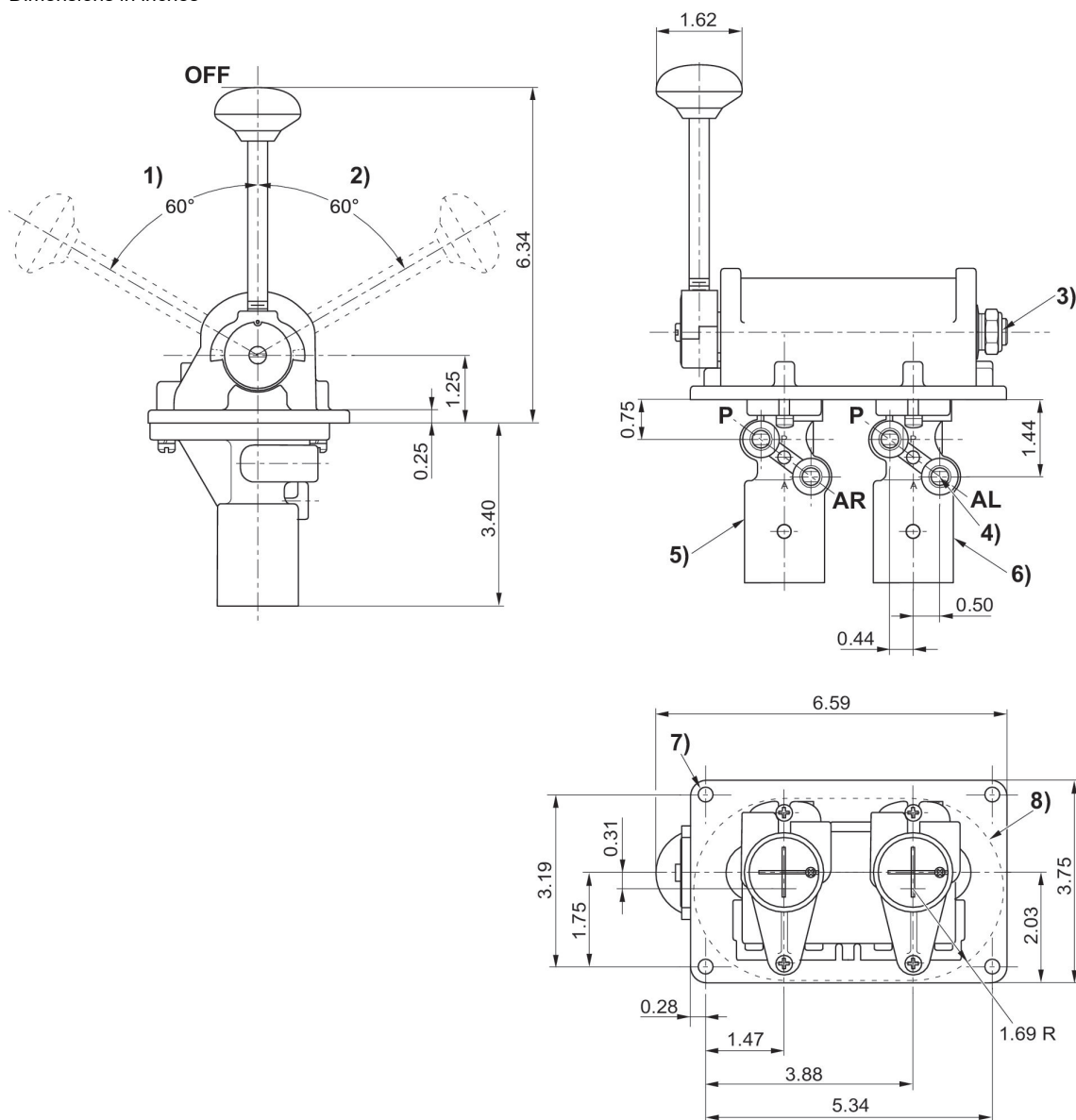
Pressure regulators, Series M Plus™

Ambient temperature min./max.: -40 °C ... 71 °C
Medium temperature min./max.: -40 °C ... 71 °C
Working pressure min./max.: 0 bar ... 10.3 bar



Compressed air connection output	Min. regulation range [bar]	Max. regulation range [bar]	Type	Actuating element	Part No.
1/8-27 NPTF	0	4.1	MC-2	Hand lever	R431000670
1/8-27 NPTF	0	6.9	MC-2	Hand lever	R431000671
1/8-27 NPTF	0	4.1	MC-2-F	Hand lever	R431000668
1/8-27 NPTF	0	6.9	MC-2-F	Hand lever	R431000669

Dimensions in inches



- 1) Valve # 1, 2) Valve # 2
- 3) Friction brake adjustment
- 4) 1/8-27 NPTF
- 5) Valve # 1, 6) Valve # 2
- 7) 0.281 diameter (4) places
- 8) panel mounting hole

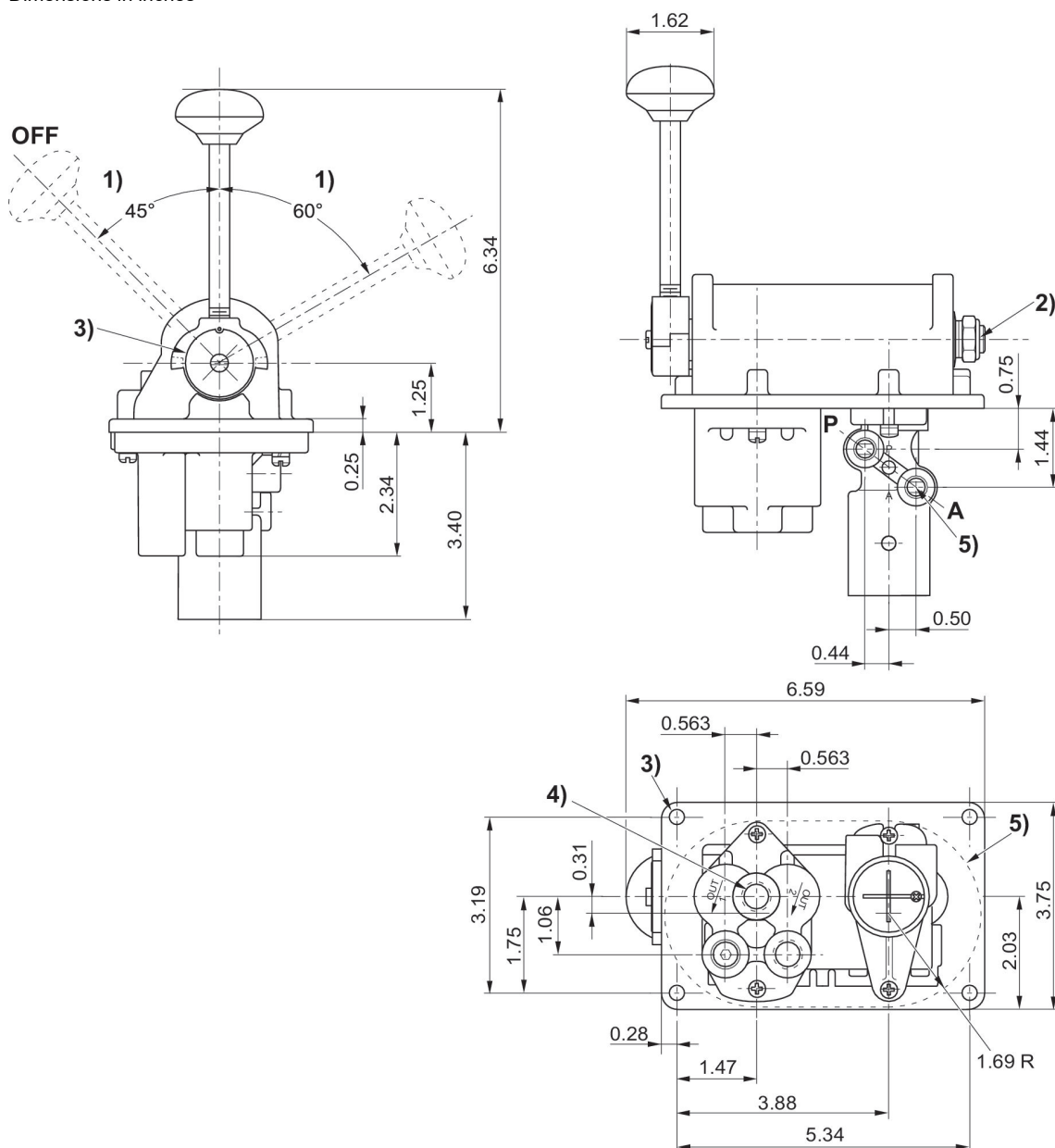
Pressure regulators, Series M Plus™

Ambient temperature min./max.: -40 °C ... 71 °C
Medium temperature min./max.: -40 °C ... 71 °C



Compressed air connection output	Min. regulation range [bar]	Max. regulation range [bar]	Type	Actuating element	Part No.
1/8-27 NPTF	0	4.1	ME-2	Hand lever	R431009137
1/8-27 NPTF	0	6.9	ME-2	Hand lever	R431000674
1/8-27 NPTF	0	6.9	ME-2-F	Hand lever	R431000673

Dimensions in inches



- 1) Pressure range
- 2) Friction brake adjustment
- 3) 0.281 diameter (4) places
- 4) 1/4 - 18 NPTF
- 5) panel mounting hole

Pressure regulators, Series M Plus™

Flow: 200 l/min

Ambient temperature min./max.: -40 °C ... 71 °C

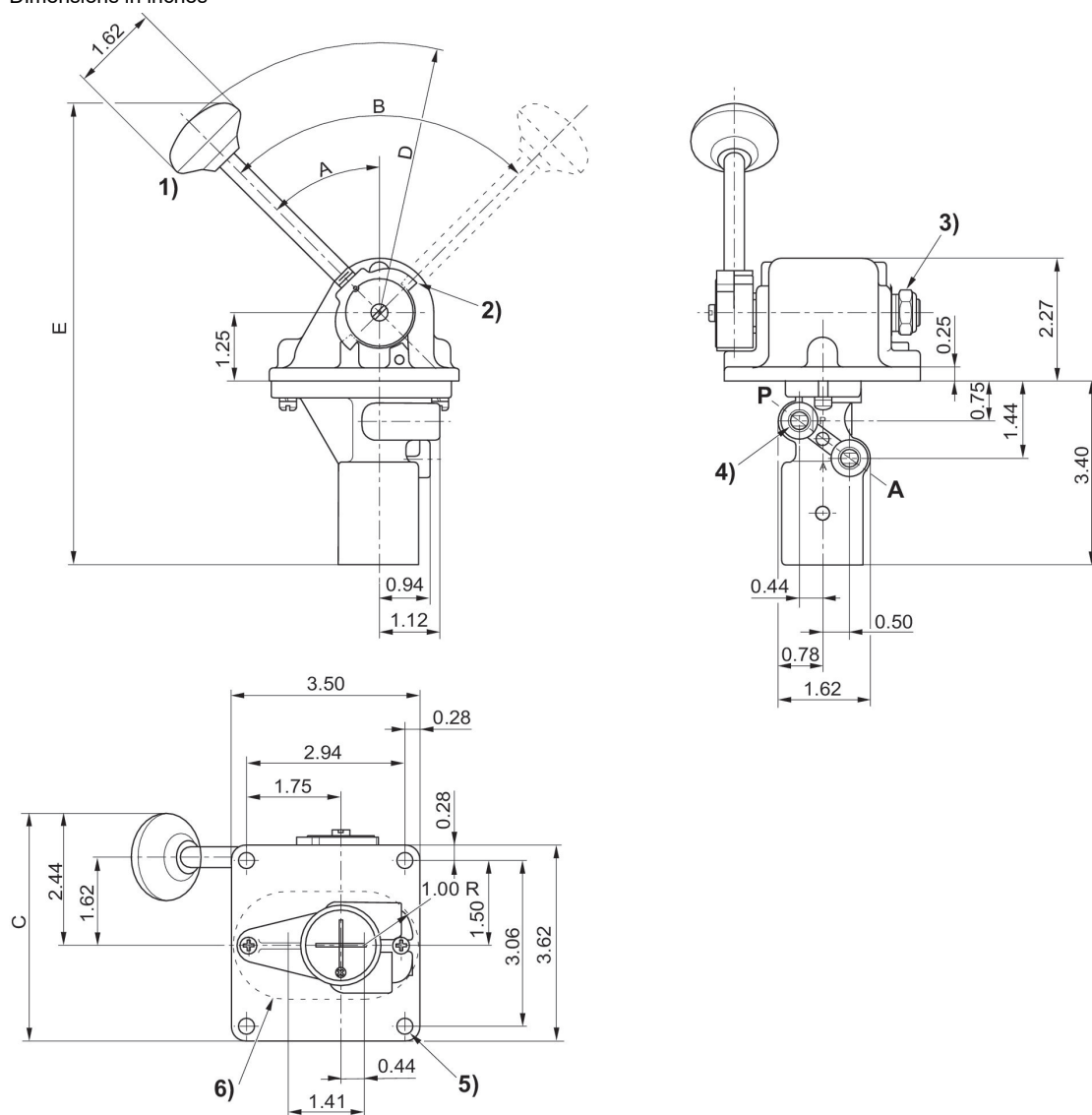
Medium temperature min./max.: -40 °C ... 71 °C

Working pressure min./max.: 0 bar ... 10.3 bar



	Compressed air connection output	Nominal flow [l/min]	Min. regulation range [bar]	Max. regulation range [bar]	Type	Actuating element	Part No.
	1/8-27 NPTF	200	0	4.1	M-2 Spring Returned handle	Hand lever, with spring return	R431000656
	1/8-27 NPTF	200	0	6.8	M-2 Spring Returned handle	Hand lever, with spring return	R431000657
	1/8-27 NPTF	200	0	8.6	M-2 Spring Returned handle	Hand lever, with spring return	R431003201
	1/8-27 NPTF	200	0	4.1	M-2-F Friction retained handle	Hand lever, with spring return	R431000659
	1/8-27 NPTF	200	0	6.8	M-2-F Friction retained handle	Hand lever, with spring return	R431000660
	1/8-27 NPTF	200	0	4.1	M-2-F Friction retained handle	Hand lever, with spring return	R431000661

Dimensions in inches



- 1) With hand lever, normally closed
- 2) Yoke reversed for preload pressure range
- 3) Friction brake adjustment
- 4) 0.281 diameter (4) places
- 5) panel mounting hole

Pressure regulators, Series M Plus™

Flow: 200 l/min

Ambient temperature min./max.: -40 °C ... 71 °C

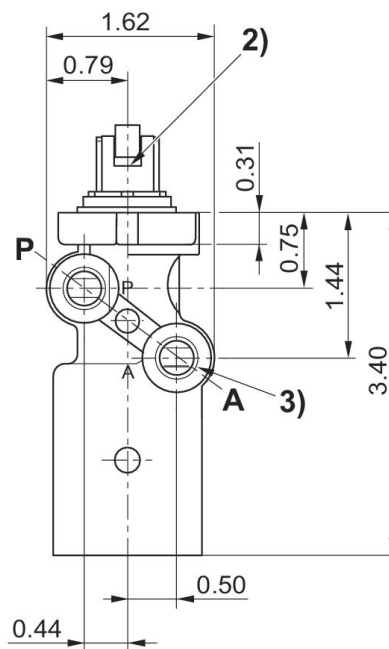
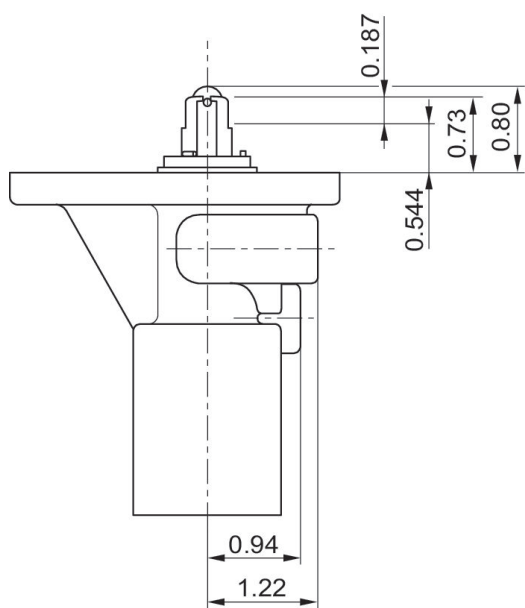
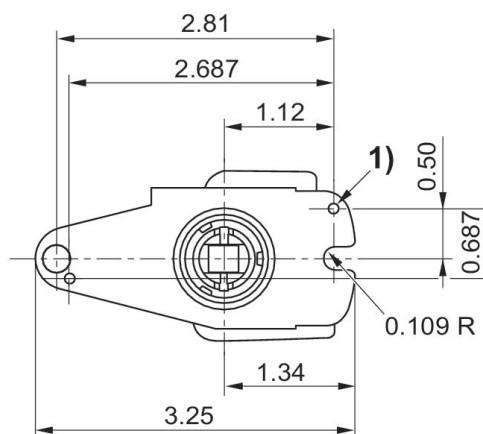
Medium temperature min./max.: -40 °C ... 71 °C

Working pressure min./max.: 0 bar ... 10.3 bar



Compressed air connection output	Nominal flow [l/min]	Min. regulation range [bar]	Max. regulation range [bar]	Part No.
1/8-27 NPTF	200	0	4.1	R431000666
1/8-27 NPTF	200	0	6.9	R431000667

Dimensions in inches







- 1) 0.90 diameter (2) places, 0.06 deep
- 2) Exhaust
- 3) 1/8-27 NPTF

Efficient pneumatic solutions, our program:
cylinders and drives, valves and valve systems,
air supply management, proportional pressure
control valves



Visit us: www.Emerson.com/aventics
Your local contact: Emerson.com/contactus

-  Emerson.com
-  Facebook.com/EmersonAutomationSolutions
-  LinkedIn.com/company/Emerson-Automation-Solutions
-  Twitter.com/EMR_Automation



The Emerson logo is a trademark and service mark of Emerson Electric Co. AVENTICS is a registered trademark of one of the Emerson family of companies. All other trademarks are the property of their respective owners. © 2020 Emerson Electric Co. All rights reserved.



CONSIDER IT SOLVED™