

## Series AR1



**AVENTICS™**

**AVENTICS Series AR1**  
**Compressed air reservoirs**

  
**EMERSON™**

## **Series AR1**

The AVENTICS Series AR1 compressed air reservoirs contain up to 90 litres and can be used up to 11 bar.



## Product overview

	Page
<b>Air reservoir</b>	
Series AR1.....	4
<b>Accessories AR1</b>	
Assembly kit.....	6

**Series AR1**

Ambient temperature min./max.: -40 °C ... 100 °C

Medium temperature min./max.: -40 °C ... 100 °C

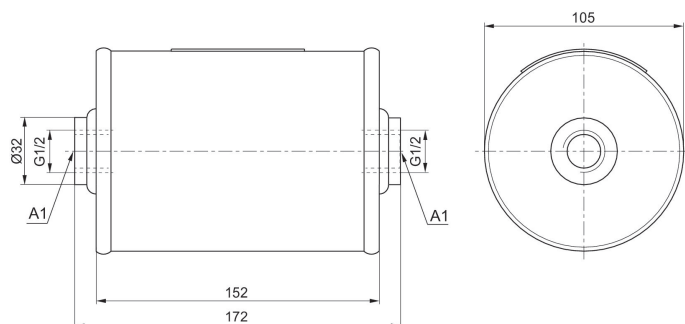


Port	Reservoir Ø [mm]	Air reservoir volume [L]	Fig.	Part No.
G 1/2	105	1	Fig. 1	3513000000
G 1	101.6	3.2	Fig. 2	3513000010
G 1	154	5	Fig. 3	3513000020
G 1	206	10	Fig. 4	3513000030
G 1	246	20	Fig. 5	3513000040
G 1	276	40	Fig. 6	3513000050
G 2	350	90	Fig. 7	3513000060

**3513000000**

Dimensions

Fig. 1

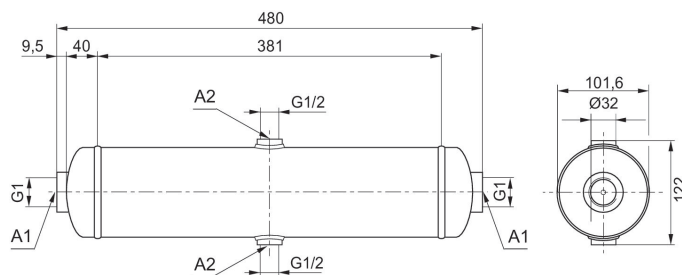


A1 = horizontal connection

**3513000010**

Dimensions

Fig. 2

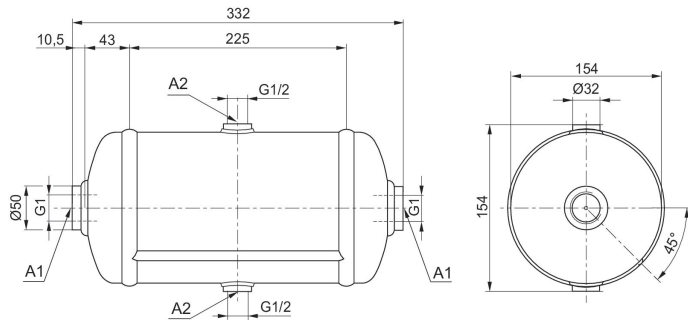


A1 = horizontal connection  
A2 = radial connection

**3513000020**

Dimensions

Fig. 3

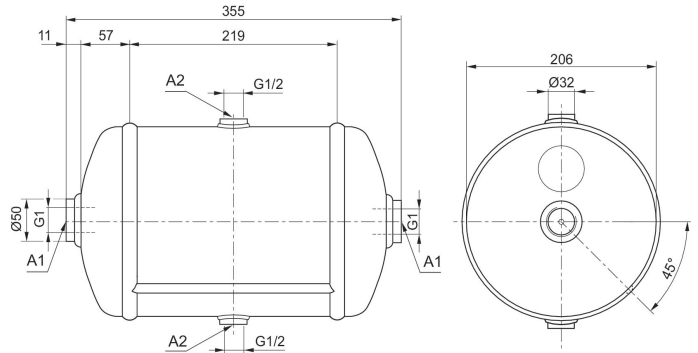


A1 = horizontal connection  
A2 = radial connection

**3513000030**

Dimensions

Fig. 4

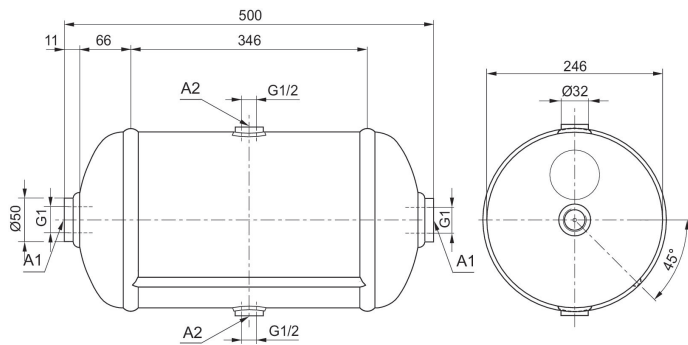


A1 = horizontal connection  
A2 = radial connection

**3513000040**

Dimensions

Fig. 5

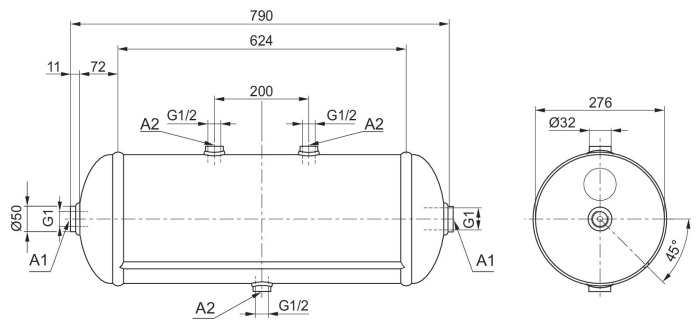


A1 = horizontal connection  
A2 = radial connection

**3513000050**

Dimensions

Fig. 6

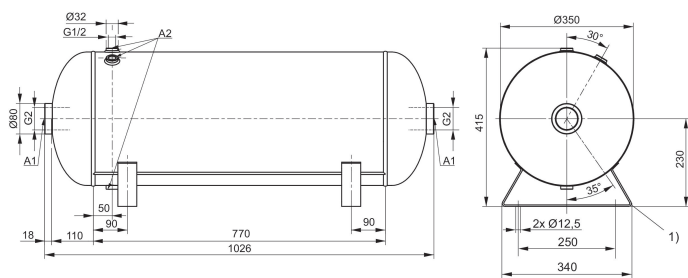


A1 = horizontal connection  
A2 = radial connection

**3513000060**

Dimensions

Fig. 7



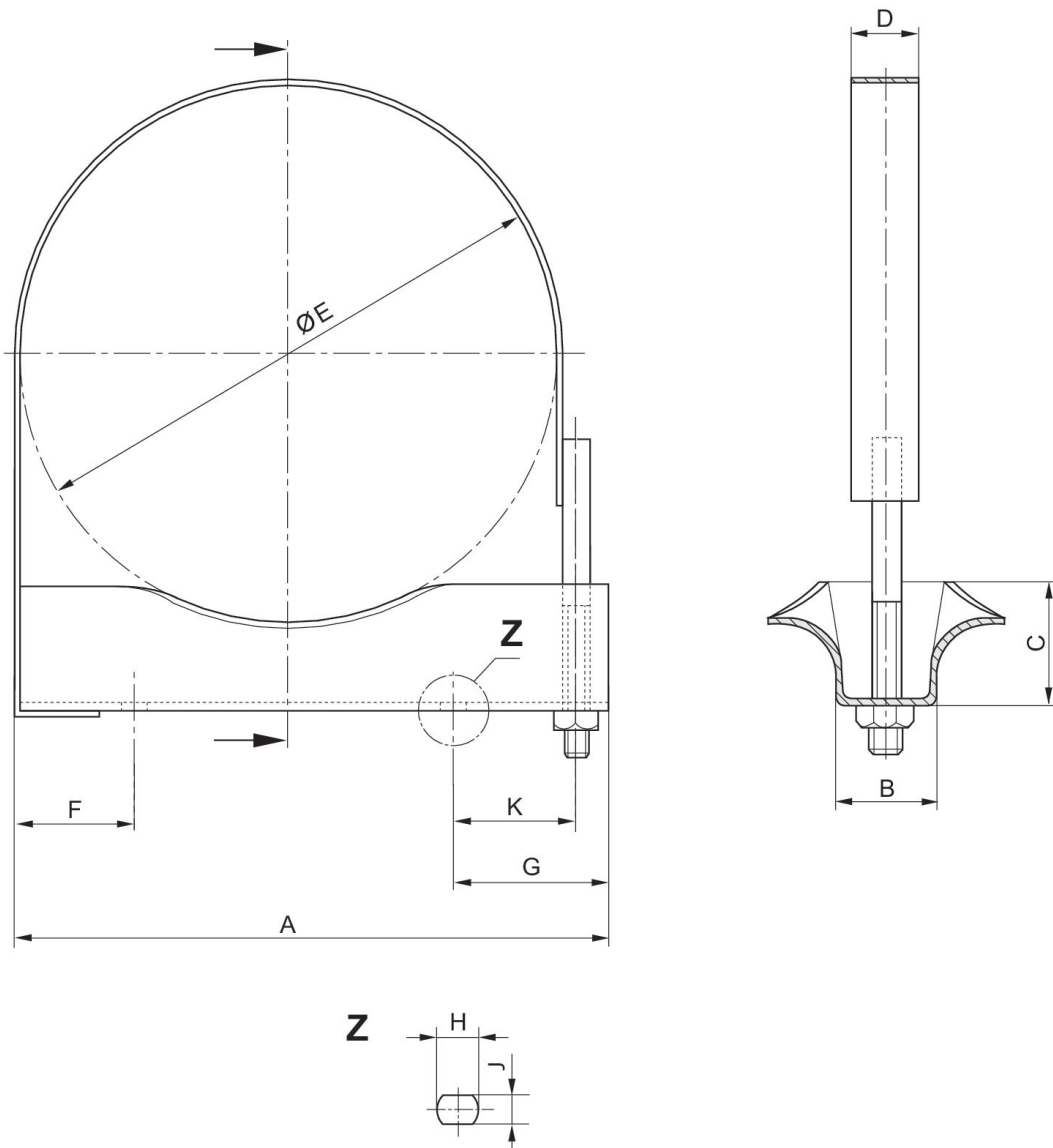
A1 = horizontal connection  
A2 = radial connection

1) Foot

**Assembly kit**



Delivery unit [piece]	Diameter [mm]	Weight [kg]	Part No.
1	206	0.763	4519011002
1	246	0.886	4519011012
1	276	1.13	4519011022



**Dimensions in mm**





Part No.	A	B	C	D	$\varnothing E$	F	G	H	J
4519011002	225	36	45	30	206	45	56	16	11
4519011012	265	36	45	30	246	45	56	16	11
4519011022	295	36	45	30	276	45	56	16	11

Part No.	K
4519011002	41
4519011012	41
4519011022	41

Efficient pneumatic solutions, our program:  
cylinders and drives, valves and valve systems,  
air supply management, proportional pressure  
control valves



Visit us: [www.Emerson.com/aventics](http://www.Emerson.com/aventics)  
Your local contact: [Emerson.com/contactus](http://Emerson.com/contactus)

-  [Emerson.com](http://Emerson.com)
-  [Facebook.com/EmersonAutomationSolutions](https://Facebook.com/EmersonAutomationSolutions)
-  [LinkedIn.com/company/Emerson-Automation-Solutions](https://LinkedIn.com/company/Emerson-Automation-Solutions)
-  [Twitter.com/EMR\\_Automation](https://Twitter.com/EMR_Automation)



The Emerson logo is a trademark and service mark of Emerson Electric Co. AVENTICS is a registered trademark of one of the Emerson family of companies. All other trademarks are the property of their respective owners. © 2020 Emerson Electric Co. All rights reserved.



**CONSIDER IT SOLVED™**