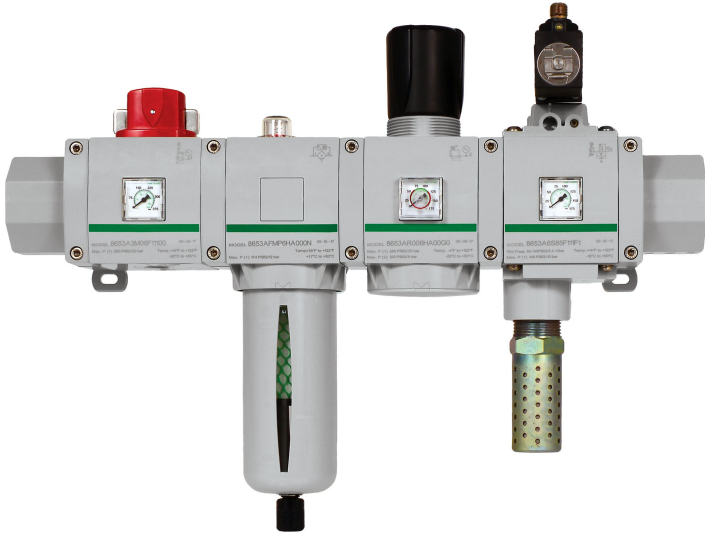


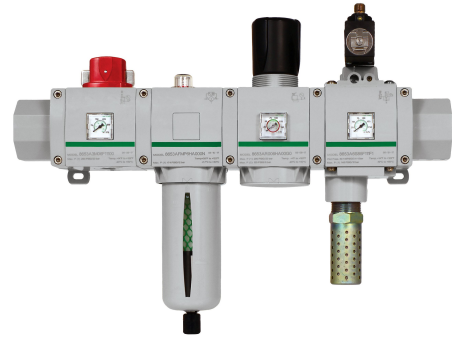
Series 653



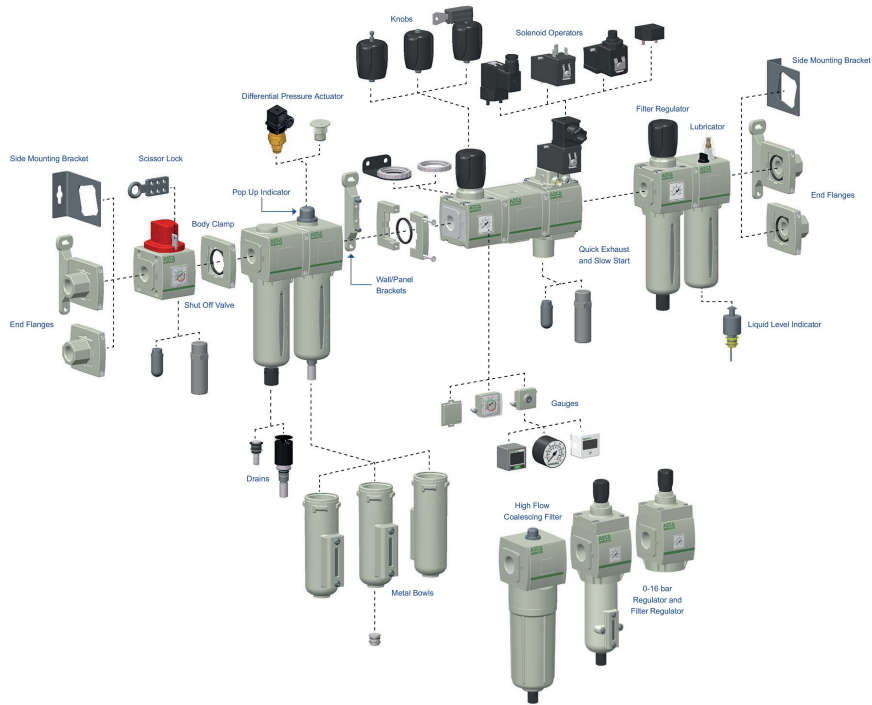
Series 653

The AVENTICS Series 653 is an easy-to-install line of pneumatic filters, regulators and lubricators (FRLs) that offer the industry's highest flow rates and widest temperature ratings. Available in 1/2-inch, 3/4-inch, and 1-inch port sizes, these FRLs are ideal for automotive and tire, packaging, food and beverage, and process applications requiring highly reliable operation and robust, modern-looking equipment. Available with integrated redundant safe exhaust valve and IIoT enabled air flow sensor.

- The industry's highest flow rates assure OEMs and maintenance managers that their air preparation products will optimize machine performance.
- Extended high- and low-temperature capabilities (-40° C to 80° C) allow the FRLs to be specified across a broad range of applications, including those within harsh environments
- New manifold endplate flanges allow the maintenance technician to pull the manifold assembly out of service without disconnecting the piping
- Front-facing easy-to-read, low-profile gauges improve serviceability. They are the only products of their type to offer these gauges on shut-off isolation valves and slow-start/quick-exhaust valves
- Optional pressure regulator with reverse flow check permits placement of the regulator between the valve and cylinder - allowing air to be exhausted through the regulator without causing damage or reduced life
- Optional integrated pressure range indicators allow the user to easily set the red/green colour indicators to the desired pressure range
- Available with integrated redundant safe exhaust valve to implement safety standards without affecting productivity. Meets ISO 13849 standard, category 3 PLd (Performance Level)
- Available with integrated IIoT enabled air flow sensor to monitor air consumption in pneumatic systems. This enables fast action in case leaks are detected, to optimize energy consumption, prevent machine downtime, and reduce costs.



Accessories overview

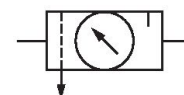


Product overview

	Page
Air preparation units	
Air preparation unit, 2-part, Series 653.....	5
Filter pressure regulator Lubricator	
Air preparation unit, 3-part, Series 653.....	8
Shut-off valve Filter pressure regulator Lubricator	
Air preparation unit, 3-part, Series 653.....	10
Shut-off valve Filter pressure regulator Filling valve	
Pressure regulators	
Pressure regulator, Series 653.....	12
Filter pressure regulators	
Filter pressure regulator, Series 653.....	16
Filter	
Filter, Series 653.....	21
Lubricators	
Standard oil-mist lubricator, Series 653.....	25
Filling units	
Filling unit, electrically operated, Series 653.....	28
Shut-off valves	
3/2-directional valve, electrically operated, Series 653.....	31
3/2-shut-off valve, mechanically operated, Series 653.....	34
Distributors	
Distributor, Series 653.....	37
Accessories overview Sensors	
AF2 series flow rate sensor, tube version 653 with connection tube, IO-Link.....	40
Output signal: 1 analog output 4 mA ... 20 mA + 1 digital/analog output (PNP, NPN, push-pull, 4 mA ... 20 mA/switchable) + 1 digital output (PNP, NPN, push-pull, switchable), IO-Link V1.1 (COM3/230K4 baud) Without mounting - IO-Link Analog - Plug	
AF2 series flow rate sensor, tube version 653, Ethernet.....	42
Integrated web server, 48 VDC connection via Power over Ethernet Without mounting - TCP/IP OPC UA MQTT - Plug	
AF2 series flow rate sensor, Ethernet, without mounting.....	44
Integrated web server, 48 VDC connection via Power over Ethernet Without mounting - TCP/IP OPC UA MQTT - Plug	
Series AF2 flow rate sensor, IO-Link, without mounting.....	46
Output signal: 1 analog output 4 mA ... 20 mA + 1 digital/analog output (PNP, NPN, push-pull, 4 mA ... 20 mA/switchable) + 1 digital output (PNP, NPN, push-pull, switchable), IO-Link V1.1 (COM3/230K4 baud) Without mounting	
Accessories overview Mountings	
Mounting clip.....	49
Filter element.....	50
Mounting bracket.....	52
End plate kit.....	53
Panel nut and bracket.....	54
Block assembly kit.....	55
Body-to-body assembly clamps	

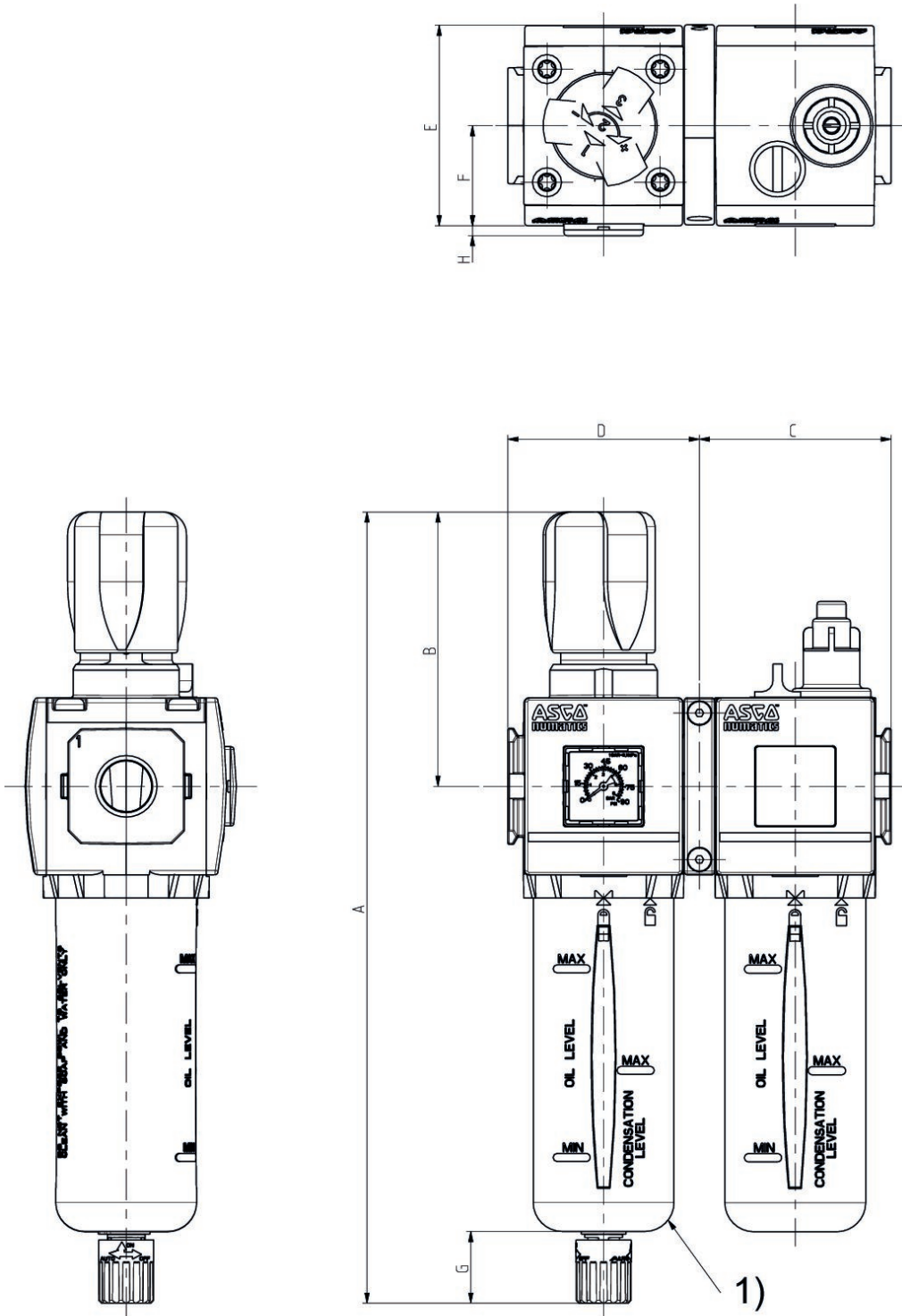
Air preparation unit, 2-part, Series 653

Parts: Air preparation units
Parts: Filter pressure regulator Lubricator



Port	Filter porosity [µm]	Condensate drain	Reservoir	Min. regulation range [bar]	Max. regulation range [bar]	Part No.
G 3/4	25	semi-automatic, open without pressure	Reservoir polycarbonate	0.5	10	A653A0000000600
G 1	25	semi-automatic, open without pressure	Reservoir polycarbonate	0.5	10	A653A0000000601

Dimensions



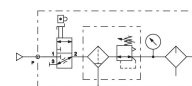
1) To remove the reservoir, allow a clearance of [[105] mm] from the bottom of the reservoir drain.

	Series 653
A	340,2
B	117,5
C	90
D	90
E	93,6
F	46,8
G	25
H	2,7

Air preparation unit, 3-part, Series 653

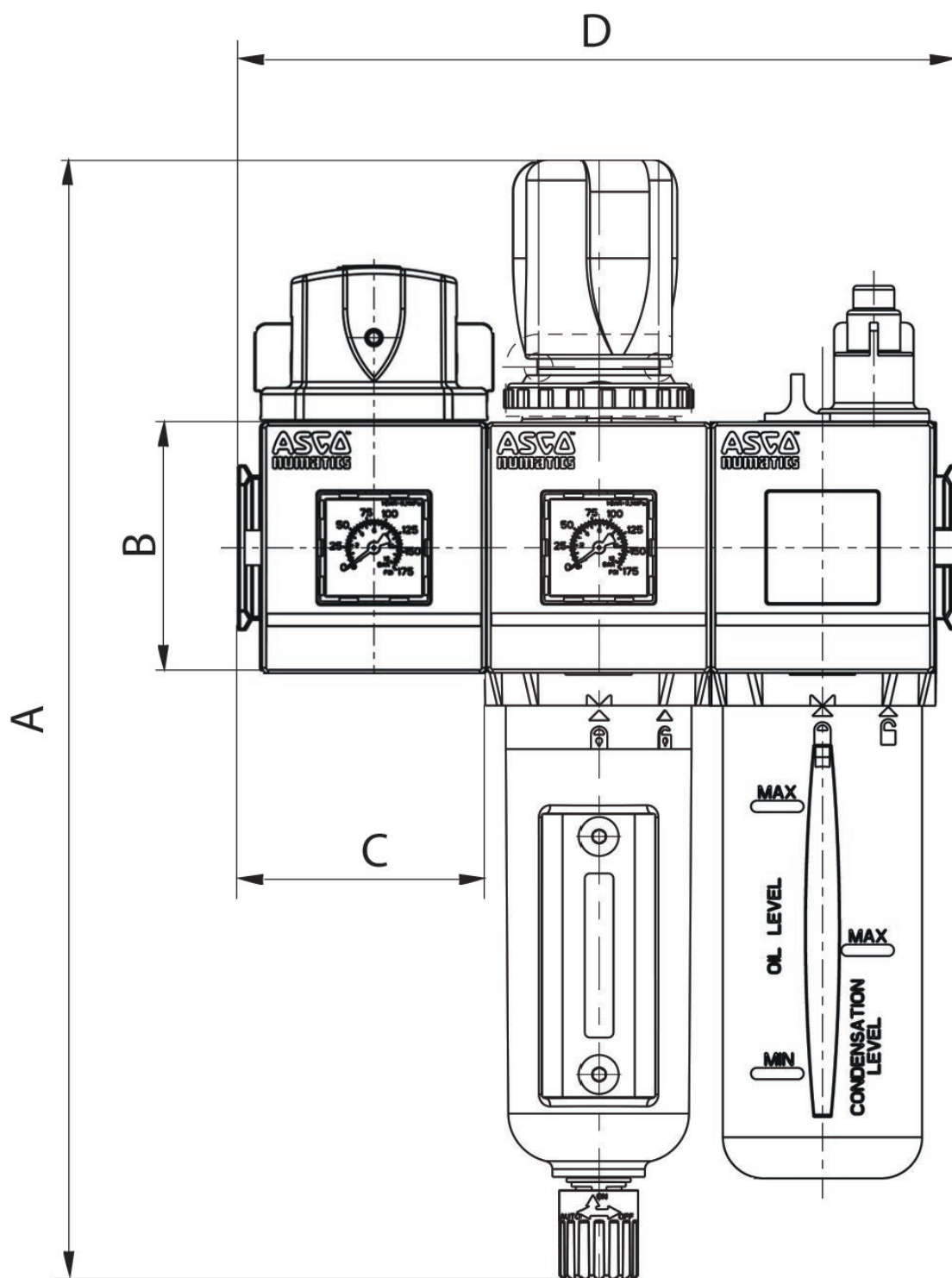
Parts: Air preparation units

Parts: Shut-off valve Filter pressure regulator Lubricator



Port	Filter porosity [µm]	Condensate drain	Reservoir	Min. regulation range [bar]	Max. regulation range [bar]	Part No.
G 3/4	25	semi-automatic, open without pressure	Reservoir polycarbonate	0.5	10	A653A0000000698
G 1	25	semi-automatic, open without pressure	Reservoir polycarbonate	0.5	10	A653A0000000699

Dimensions

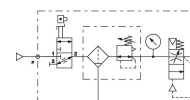


Series	653
A	340,2
B	93,6
C	90
D	270

Air preparation unit, 3-part, Series 653

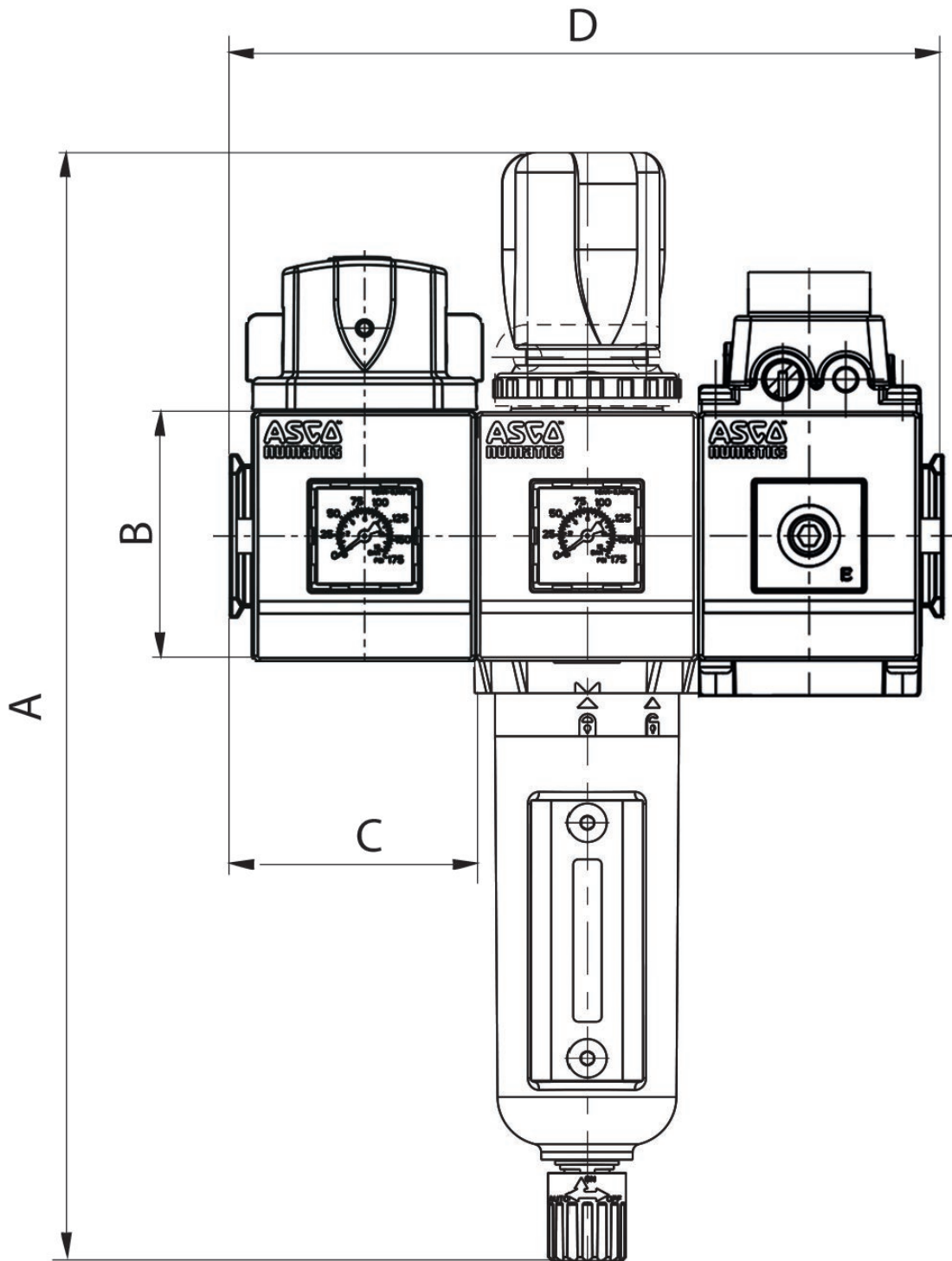
Parts: Air preparation units

Parts: Shut-off valve Filter pressure regulator Filling valve



Port	Filter porosity [µm]	Condensate drain	Reservoir	Min. regulation range [bar]	Max. regulation range [bar]	Part No.
G 3/4	25	semi-automatic, open without pressure	Reservoir polycarbonate	0.5	10	A653A0000000702
G 1	25	semi-automatic, open without pressure	Reservoir polycarbonate	0.5	10	A653A0000000703

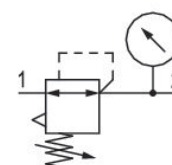
Dimensions



Series	653
A	340,2
B	93,6
C	90
D	270

Pressure regulator, Series 653

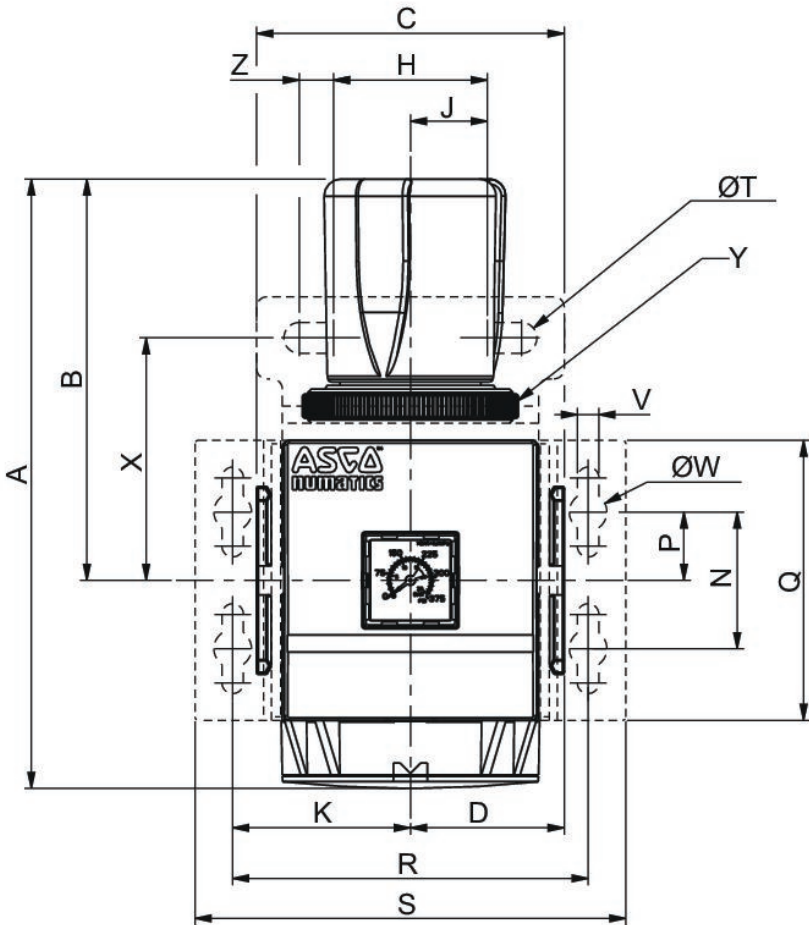
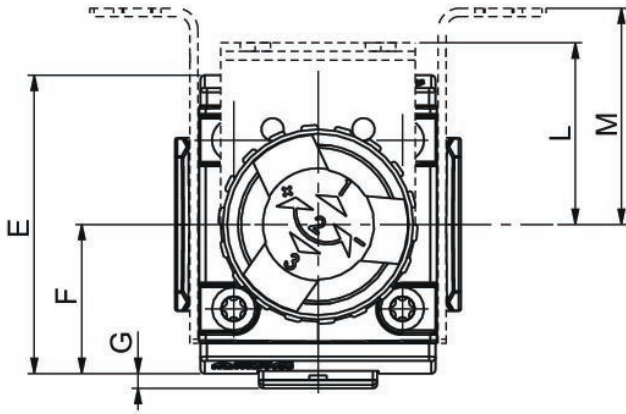
Parts: Pressure regulator



Port	Nominal flow [l/min]	Min. regulation range [bar]	Max. regulation range [bar]	Pressure gauge	Part No.
G 3/4	10000	0.5	10	With integrated pressure gauge	G653AR005GA00H0
G 3/4	10000	0.5	10	Transition plate for assembling a pressure gauge with connection thread G 1/8	G653AR005PA00H0
G 3/4	10000	0.5	10	with pressure gauge	G653AR005QA00H0
G 3/4	10000	0.5	16	With integrated pressure gauge	G653AR005GA00N0
G 1	11500	0.5	10	With integrated pressure gauge	G653AR006GA00H0
G 3/4	10000	0.5	16	Transition plate for assembling a pressure gauge with connection thread G 1/8	G653AR005PA00N0
G 1	11500	0.5	10	Transition plate for assembling a pressure gauge with connection thread G 1/8	G653AR006PA00H0
G 1	11500	0.5	16	With integrated pressure gauge	G653AR006GA00N0

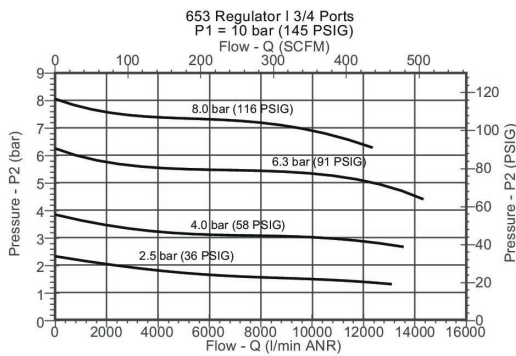
Port	Nominal flow [l/min]	Min. regulation range [bar]	Max. regulation range [bar]	Pressure gauge	Part No.
G 1	11500	0.5	10	with pressure gauge	G653AR006QA00H0
G 1	11500	0.5	16	Transition plate for assembling a pressure gauge with connection thread G 1/8	G653AR006PA00N0

Dimensions

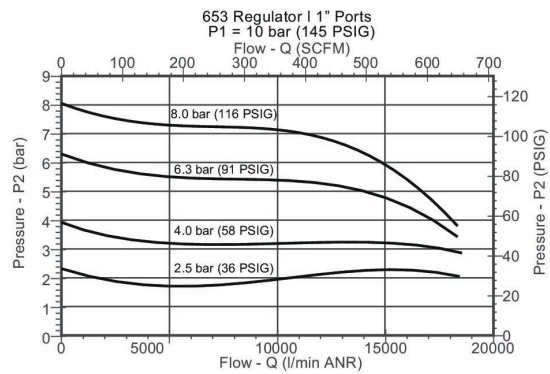


Series	653
A	178,4
B	117,5
C	90
D	45
E	93
F	46,5
G	3
H	45
J	22,5
K	52
L	60
M	62
N	40
P	20
Q	82
R	104
S	126
T	9
V	6,3
W	11
X	71
Y	M51x2
Z	10

Flow diagram R412024742, R412024749, R412010090

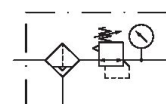


Flow diagram R412024742, R412024749, R412010090



Filter pressure regulator, Series 653

Parts: Filter pressure regulator

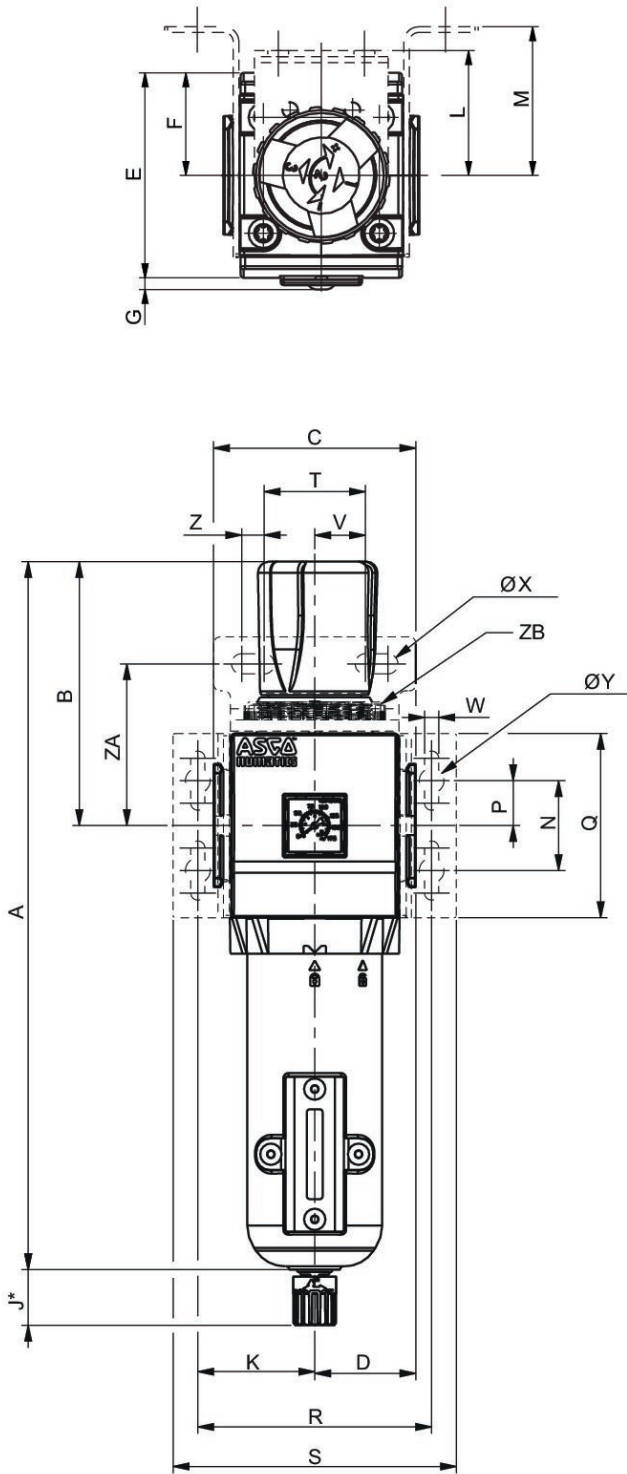


Port	Nominal flow [l/min]	Filter porosity [μm]	Condensate drain	Reservoir	Min. regulation range [bar]	Max. regulation range [bar]	Part No.
G 3/4	8900	5	semi-automatic, open without pressure	Metal reservoir without window	0.5	10	G653APBK5GA00HN
G 1	9000	5	semi-automatic, open without pressure	Metal reservoir without window	0.5	10	G653APBK6GA00HN
G 1	9000	5	fully automatic, open without pressure	Reservoir polycarbonate	0.5	10	G653APBP6GA00HA
G 3/4	9000	25	semi-automatic, open without pressure	Metal reservoir without window	0.5	10	G653APJK5GA00HN
G 3/4	8900	5	fully automatic, open without pressure	Metal reservoir without window	0.5	10	G653APBK5GA00HA
G 3/4	8900	5	fully automatic, open without pressure	Reservoir polycarbonate	0.5	10	G653APBP5GA00HA
G 3/4	9000	25	fully automatic, open without pressure	Metal reservoir without window	0.5	10	G653APJK5GA00HA
G 1	10000	25	semi-automatic, open without pressure	reservoir, metal, with inspection glass	0.5	16	G653APJL6GA00NN
G 3/4	8900	5	semi-automatic, open without pressure	reservoir, metal, with inspection glass	0.5	10	G653APBL5GA00HN
G 3/4	8900	5	semi-automatic, open without pressure	Reservoir polycarbonate	0.5	10	G653APBP5GA00HN

Port	Nominal flow [l/min]	Filter porosity [µm]	Condensate drain	Reservoir	Min. regulation range [bar]	Max. regulation range [bar]	Part No.
G 1	10000	25	semi-automatic, open without pressure	Metal reservoir without window	0.5	10	G653APJK6GA00HN
G 3/4	9000	25	semi-automatic, open without pressure	reservoir, metal, with inspection glass	0.5	16	G653APJL5GA00NN
G 3/4	8900	5	fully automatic, open without pressure	reservoir, metal, with inspection glass	0.5	10	G653APBL5GA00HA
G 3/4	8900	5	semi-automatic, open without pressure	reservoir, metal, with inspection glass	0.5	16	G653APBL5GA00NN
G 1	9000	5	semi-automatic, open without pressure	Reservoir polycarbonate	0.5	10	G653APBP6GA00HN
G 1	10000	25	fully automatic, open without pressure	Metal reservoir without window	0.5	10	G653APJK6GA00HA
G 1	9000	5	fully automatic, open without pressure	Metal reservoir without window	0.5	10	G653APBK6GA00HA
G 1	9000	5	semi-automatic, open without pressure	reservoir, metal, with inspection glass	0.5	16	G653APBL6GA00NN
G 3/4	9000	25	fully automatic, open without pressure	reservoir, metal, with inspection glass	0.5	10	G653APJL5GA00HA
G 1	9000	5	semi-automatic, open without pressure	reservoir, metal, with inspection glass	0.5	10	G653APBL6GA00HN
G 3/4	9000	25	semi-automatic, open without pressure	reservoir, metal, with inspection glass	0.5	10	G653APJL5GA00HN
G 1	9000	5	fully automatic, open without pressure	reservoir, metal, with inspection glass	0.5	10	G653APBL6GA00HA
G 1	10000	25	fully automatic, open without pressure	reservoir, metal, with inspection glass	0.5	10	G653APJL6GA00HA
G 3/4	8900	5	semi-automatic, open without pressure	Metal reservoir without window	0.5	16	G653APBK5GA00NN
G 1	10000	25	semi-automatic, open without pressure	reservoir, metal, with inspection glass	0.5	10	G653APJL6GA00HN

Port	Nominal flow [l/min]	Filter porosity [μm]	Condensate drain	Reservoir	Min. regulation range [bar]	Max. regulation range [bar]	Part No.
G 1	9000	5	semi-automatic, open without pressure	Metal reservoir without window	0.5	16	G653APBK6GA00NN
G 3/4	9000	25	fully automatic, open without pressure	Reservoir polycarbonate	0.5	10	G653APJP5GA00HA
G 3/4	9000	25	semi-automatic, open without pressure	Metal reservoir without window	0.5	16	G653APJK5GA00NN
G 3/4	9000	25	semi-automatic, open without pressure	Reservoir polycarbonate	0.5	10	G653APJP5GA00HN
G 1	10000	25	semi-automatic, open without pressure	Metal reservoir without window	0.5	16	G653APJK6GA00NN
G 1	10000	25	fully automatic, open without pressure	Reservoir polycarbonate	0.5	10	G653APJP6GA00HA
G 1	10000	25	semi-automatic, open without pressure	Reservoir polycarbonate	0.5	10	G653APJP6GA00HN

Dimensions

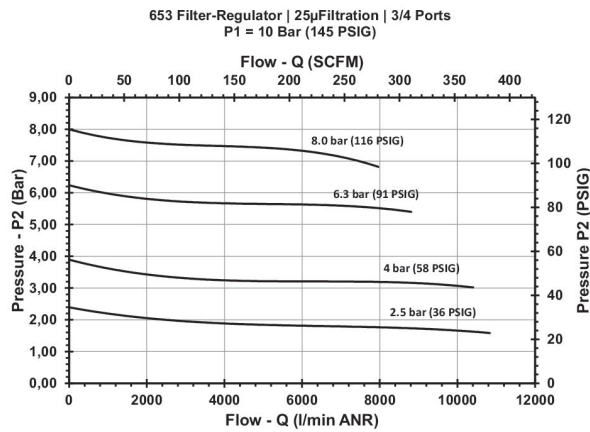


To remove the reservoir, allow a clearance of [[105] mm] from the bottom of the reservoir drain.

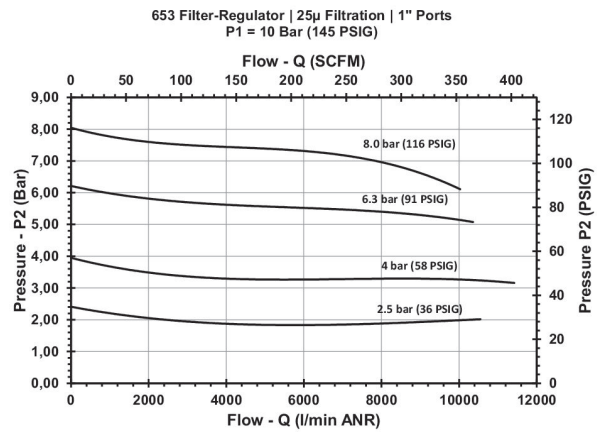
*Variable dimension based on the type of drain specified, if an automatic drain is specified, add another [[5] mm] to the "J" dimension.

Series	653
A	329,5
B	132
C	90
D	45
E	93,6
F	46,2
G	2,7
H	158,9
J	25
K	41,75
L	42
M	50
N	20
P	10
Q	61,5
R	84
S	105,5
T	29
V	14,5
W	6,3
X	7
Y	11

Flow diagram R412024742, R412024749, R412010090

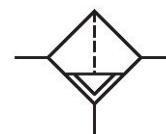


Flow diagram R412024742, R412024749, R412010090



Filter, Series 653

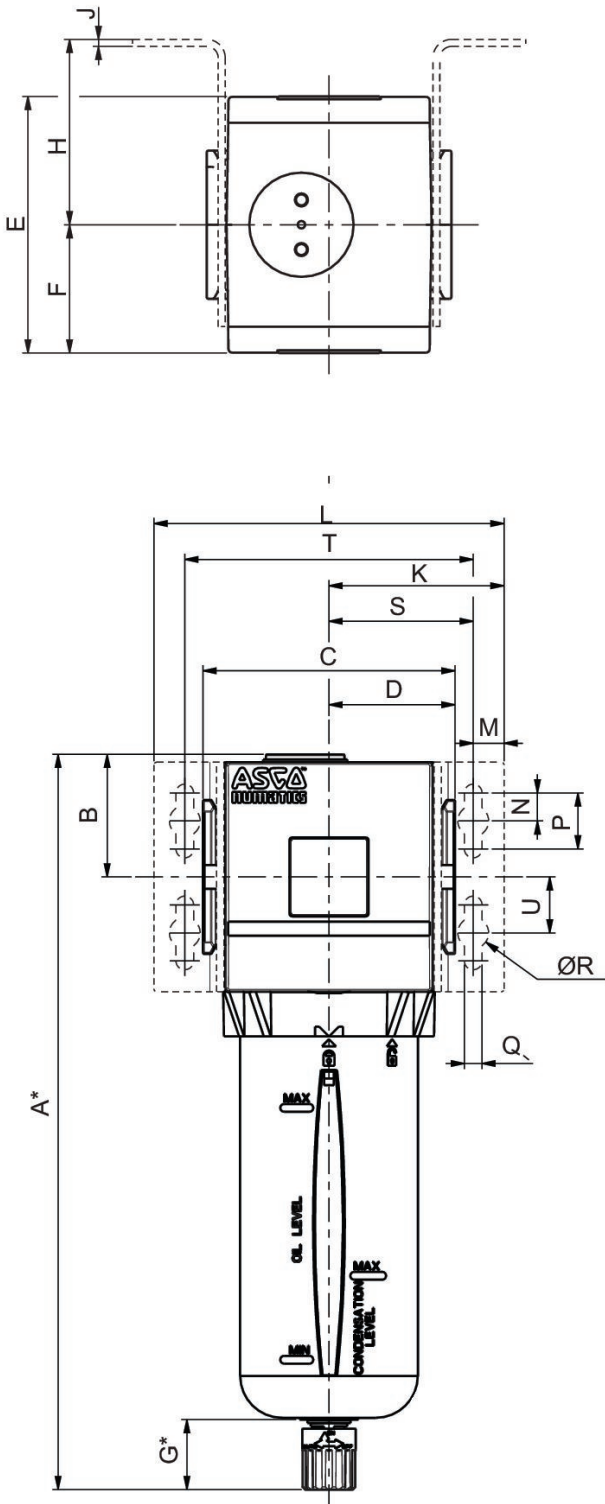
Parts: Filter



Port	Nominal flow [l/min]	Filter porosity [µm]	Condensate drain	Reservoir	Filter insert	Part No.
G 3/4	4000	5	fully automatic, open without pressure	Metal reservoir without window	Sintered polyethylene	G653ABBK5JA000A
G 3/4	4700	5	semi-automatic, open without pressure	reservoir, PA, with PA protective guard	Sintered polyethylene	G653ABBP5JA000N
G 3/4	4700	25	semi-automatic, open without pressure	Metal reservoir without window	Sintered polyethylene	G653ABJK5JA000N
G 3/4	4000	5	semi-automatic, open without pressure	Metal reservoir without window	Sintered polyethylene	G653ABBK5JA000N
G 3/4	4000	5	fully automatic, open without pressure	reservoir, metal, with inspection glass	Sintered polyethylene	G653ABBL5JA000A
G 3/4	4700	25	fully automatic, open without pressure	Metal reservoir without window	Sintered polyethylene	G653ABJK5JA000A
G 1	4250	5	fully automatic, open without pressure	Metal reservoir without window	Sintered polyethylene	G653ABBK6JA000A
G 1	4250	5	semi-automatic, open without pressure	reservoir, PA, with PA protective guard	Sintered polyethylene	G653ABBP6JA000N
G 3/4	4700	25	fully automatic, open without pressure	reservoir, metal, with inspection glass	Sintered polyethylene	G653ABJL5JA000A
G 1	4250	5	semi-automatic, open without pressure	Metal reservoir without window	Sintered polyethylene	G653ABBK6JA000N

Port	Nominal flow [l/min]	Filter porosity [μm]	Condensate drain	Reservoir	Filter insert	Part No.
G 3/4	4000	5	semi-automatic, open without pressure	reservoir, metal, with inspection glass	Sintered polyethylene	G653ABBL5JA000N
G 1	5000	25	semi-automatic, open without pressure	Metal reservoir without window	Sintered polyethylene	G653ABJK6JA000N
G 1	4250	5	semi-automatic, open without pressure	reservoir, metal, with inspection glass	Sintered polyethylene	G653ABBL6JA000N
G 3/4	4000	5	fully automatic, open without pressure	reservoir, PA, with PA protective guard	Sintered polyethylene	G653ABBP5JA000A
G 1	5000	25	fully automatic, open without pressure	reservoir, metal, with inspection glass	Sintered polyethylene	G653ABJL6JA000A
G 1	4250	5	fully automatic, open without pressure	reservoir, metal, with inspection glass	Sintered polyethylene	G653ABBL6JA000A
G 1	4250	5	fully automatic, open without pressure	reservoir, PA, with PA protective guard	Sintered polyethylene	G653ABBP6JA000A
G 1	5000	25	fully automatic, open without pressure	Metal reservoir without window	Sintered polyethylene	G653ABJK6JA000A
G 3/4	4700	25	semi-automatic, open without pressure	reservoir, metal, with inspection glass	Sintered polyethylene	G653ABJL5JA000N
G 1	5000	25	semi-automatic, open without pressure	reservoir, metal, with inspection glass	Sintered polyethylene	G653ABJL6JA000N
G 3/4	4700	25	fully automatic, open without pressure	reservoir, PA, with PA protective guard	Sintered polyethylene	G653ABJP5JA000A
G 3/4	4700	25	semi-automatic, open without pressure	reservoir, PA, with PA protective guard	Sintered polyethylene	G653ABJP5JA000N
G 1	5000	25	fully automatic, open without pressure	reservoir, PA, with PA protective guard	Sintered polyethylene	G653ABJP6JA000A
G 1	5000	25	semi-automatic, open without pressure	reservoir, PA, with PA protective guard	Sintered polyethylene	G653ABJP6JA000N

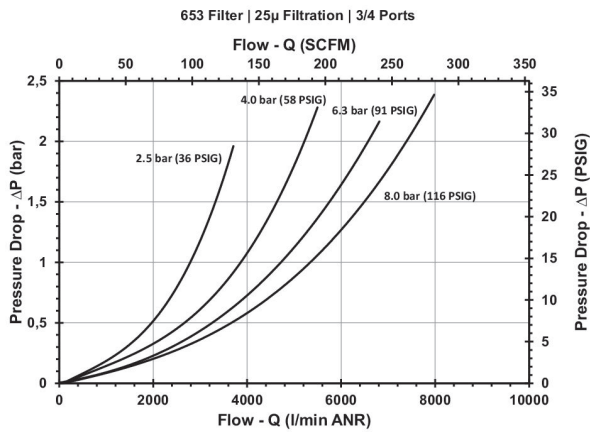
Dimensions



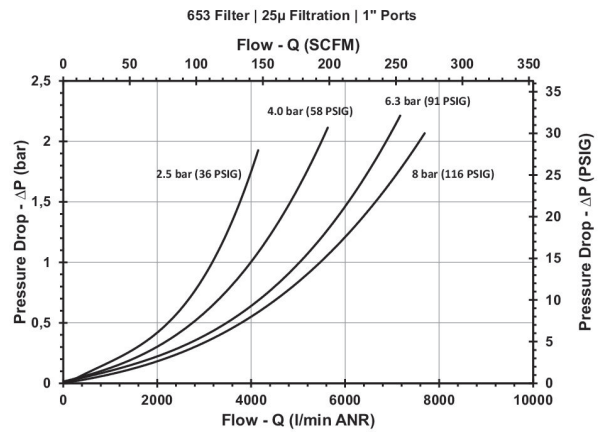
*Variable dimension based on the type of drain specified, if an automatic drain is specified, add another [[5] mm] to the "G" dimension, which also adds 5 mm to the "A" dimension.

Series	653
A	260,7
B	43,8
C	90
D	45
E	93,2
F	46,6
G	25
H	62
J	3
K	62,5
L	125
M	11
N	10
P	20
Q	6,3
R	11
S	51,5
T	103
U	20

Flow diagram R412024742, R412024749, R412010090



Flow diagram R412024742, R412024749, R412010090



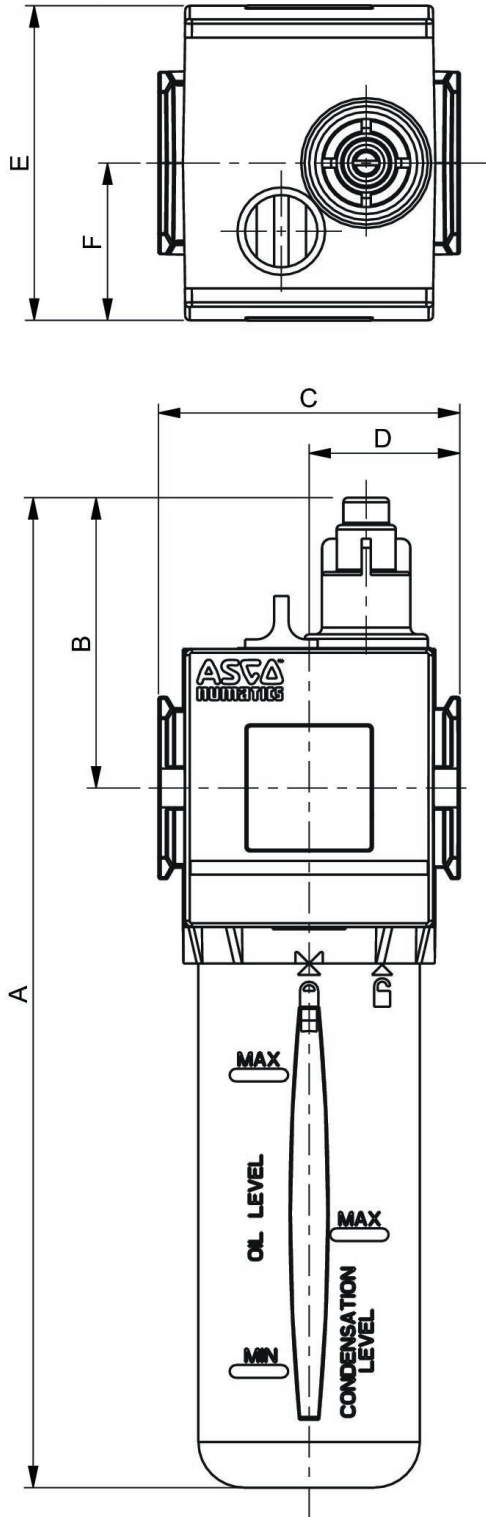
Standard oil-mist lubricator, Series 653

Parts: Lubricator



Port	Nominal flow [l/min]	Reservoir	Lubricator reservoir volume [cm ³]	Part No.
G 3/4	13000	Metal reservoir without window	200	G653AL0K50A0000
G 1	13000	Metal reservoir without window	200	G653AL0K60A0000
G 3/4	13000	reservoir, metal, with inspection glass	200	G653AL0L50A0000
G 1	13000	reservoir, metal, with inspection glass	200	G653AL0L60A0000
G 3/4	13000	Reservoir polycarbonate	200	G653AL0P50A0000
G 1	13000	Reservoir polycarbonate	200	G653AL0P60A0000

Dimensions

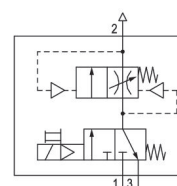


To remove the reservoir, allow a clearance of [[25] mm] from the bottom of the reservoir drain.

Series	653
A	266
B	75
C	90
D	45
E	93
F	46,5
G	155

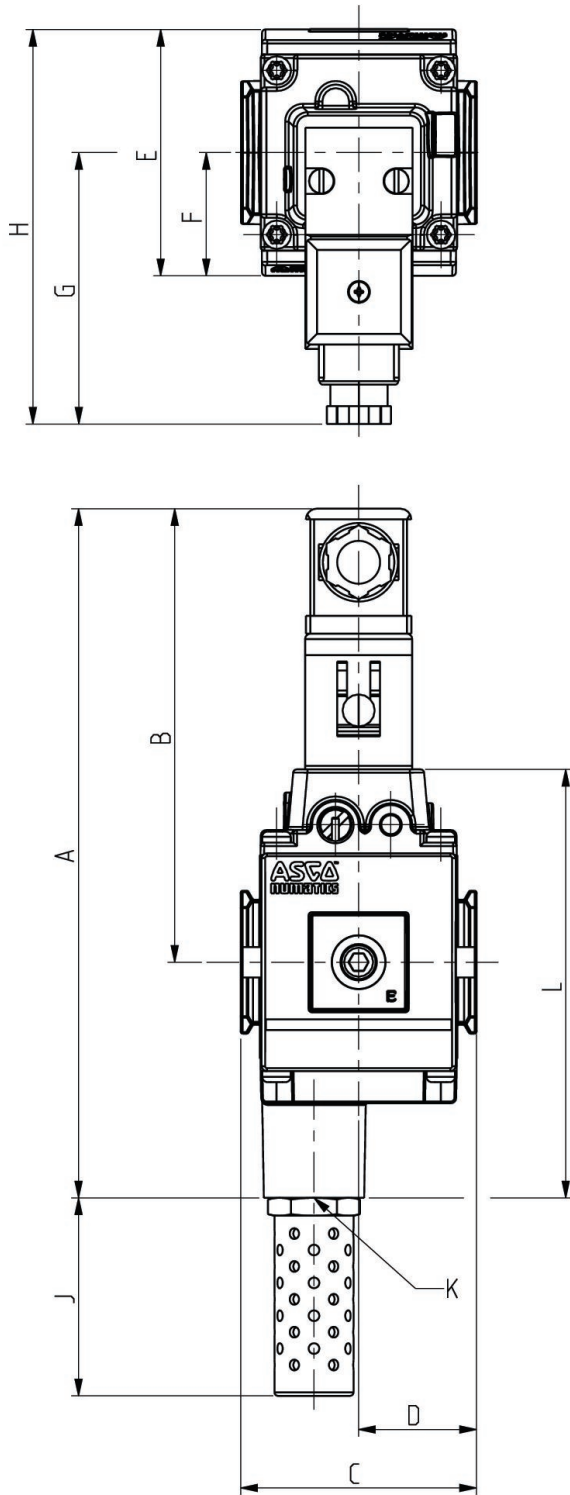
Filling unit, electrically operated, Series 653

Activation: Electrically
Type: Poppet valve



Port	Nominal flow [l/min]	Operational voltage	Part No.
G 3/4	7280	24 V DC	G653A6S650A00F1
G 1	8230	24 V DC	G653A6S660A00F1
G 3/4	7280	230 V AC	G653A6S650A00F8
G 1	8230	230 V AC	G653A6S660A00F8

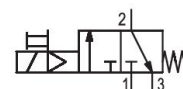
Dimensions



Series	653
A	214
B	137
C	90
D	45
E	93,1
F	46,5
G	94
H	140,5
J	81,2
K	G 1
L	142

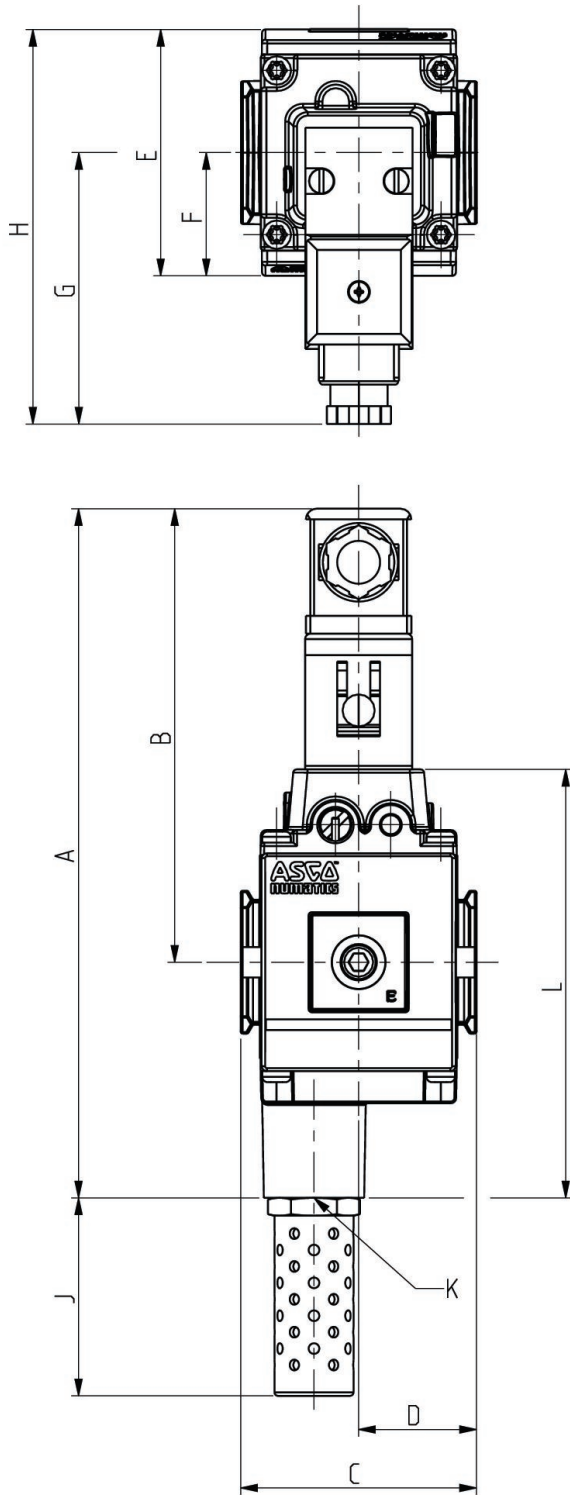
3/2-directional valve, electrically operated, Series 653

Activation: Electrically
Type: Poppet valve



Port	Nominal flow [l/min]	Operational voltage	Part No.
G 3/4	7280	24 V DC	G653A5S650A00F1
G 3/4	7280	230 V AC	G653A5S650A00F8
G 1	8230	24 V DC	G653A5S660A00F1
G 1	8230	230 V AC	G653A5S660A00F8

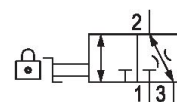
Dimensions



Series	653
A	214
B	137
C	90
D	45
E	93,1
F	46,5
G	94
H	140,5
J	81,2
K	G 1
L	142

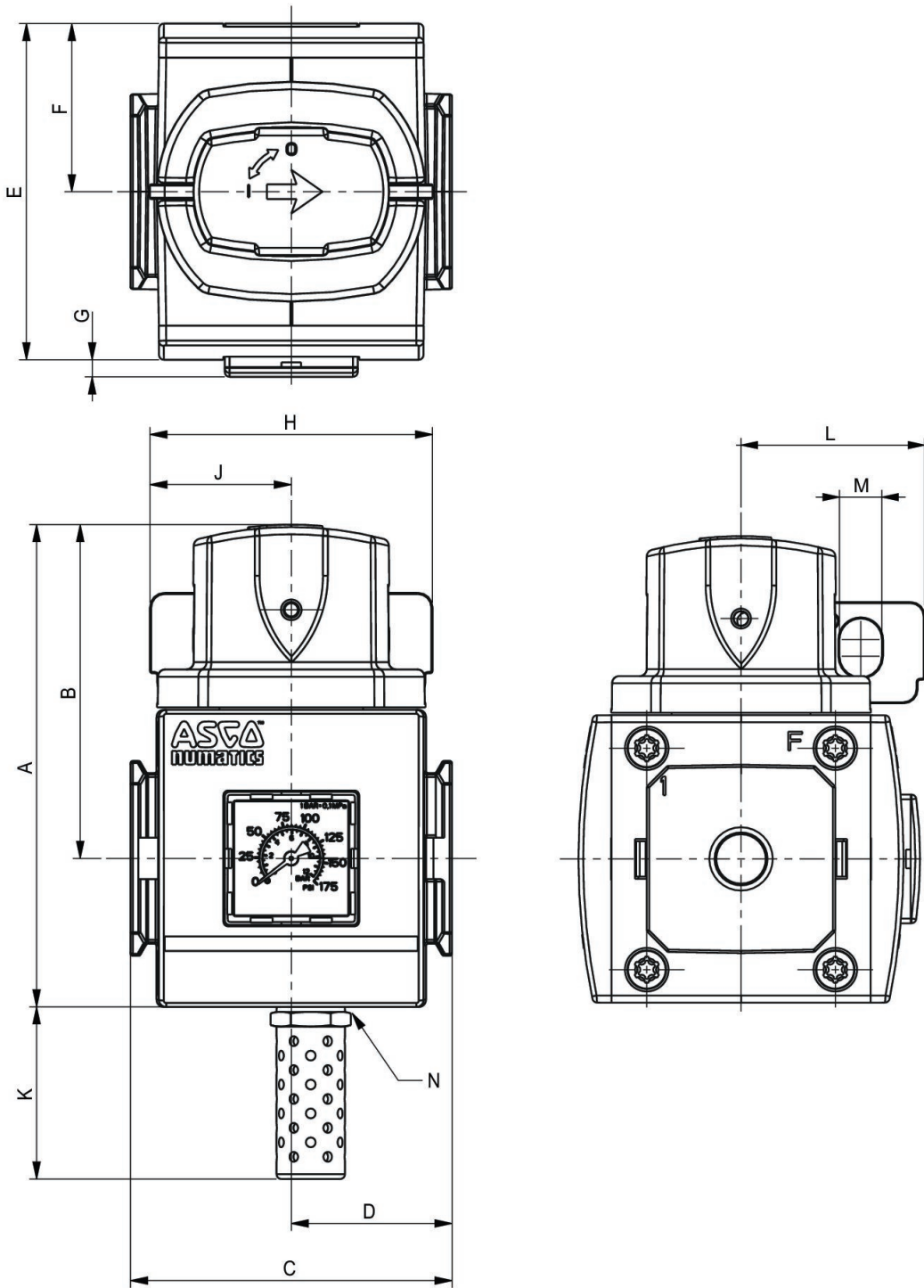
3/2-shut-off valve, mechanically operated, Series 653

Activation: Mechanical



Port	Nominal flow [l/min]	Silencer	Part No.
G 3/4	33000	metal	G653A3M05011100
G 3/4	33000		G653A3M050A0000
G 1	51900	metal	G653A3M06011100
G 1	51900		G653A3M060A0000

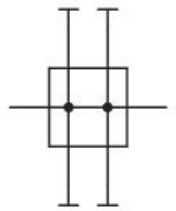
Dimensions



Series	653
A	120
B	79
C	90
D	45
E	93
F	46,5
G	1,9
H	58
J	29
K	46,7
L	38
M	9
N	G 3/8
tablefooter	

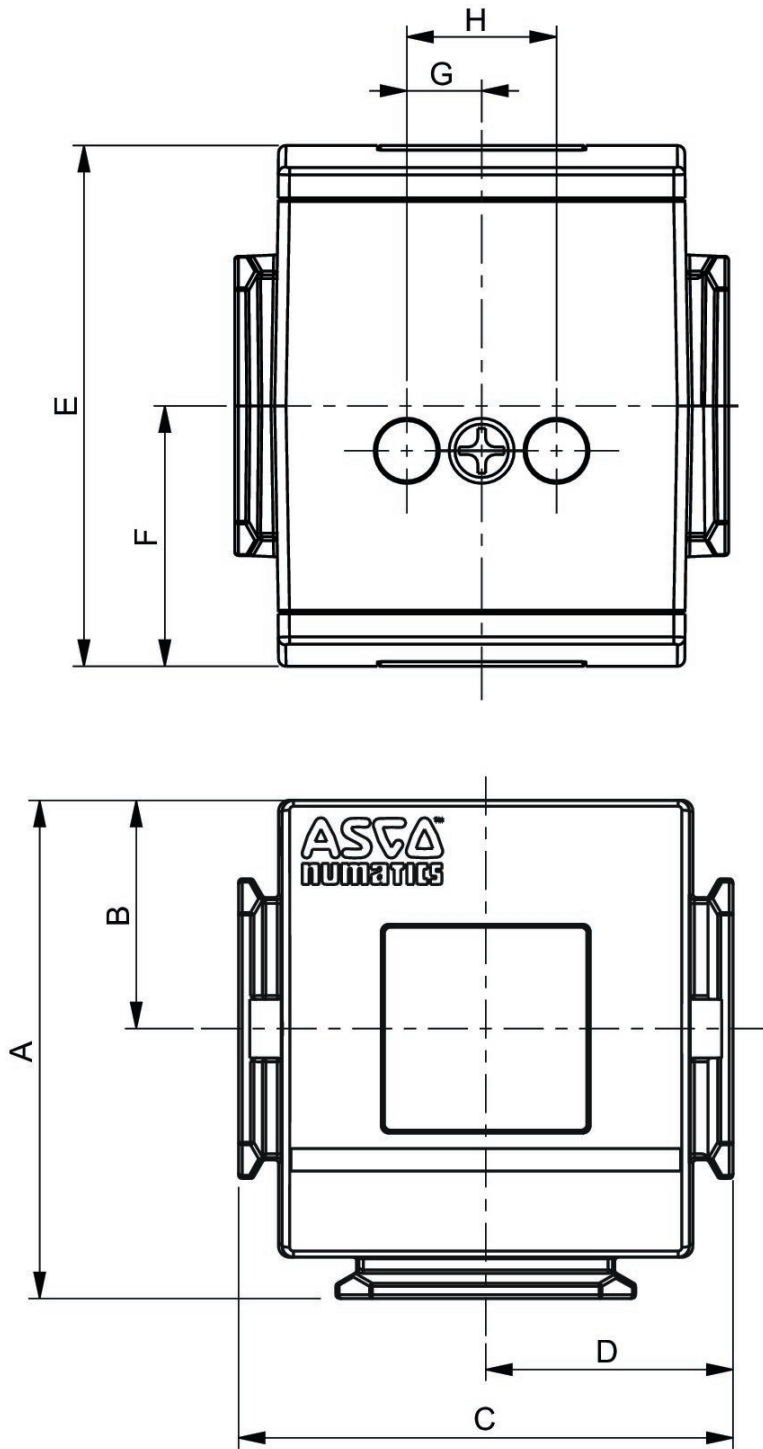
Distributor, Series 653

Parts: Distributor



Port	Part No.
G 1	G653AD006CA0000

Dimensions



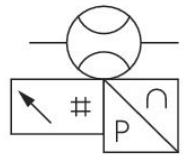
Series	653
A	86,5
B	41
C	90
D	45
E	93
F	46,5
G	10
H	20

Ordering information

G	Thread connection	G	ISO 228/1-G
8	NPTF		
651	Product series	651	
652			
653			
A	Revision letter	A	
D	Product type	D	Diverter block
0			
0			
2	Port size	2	1/4
4	1/2		
6	1		
C	Pressure switch interface	C	Provisioned for 349 pressure switch pad mount
A00	Options	A00	without option
101	side mounting brackets		
117	ATEX zones 1-21		
124	CURT Certification (EAC)		
125	CURT Ex		
0	Pressure switch type	0	no pressure switch
1	pad mount without visual indicator 10 bar max.		
2	pad mount with visual indicator 10 bar max.		
0			

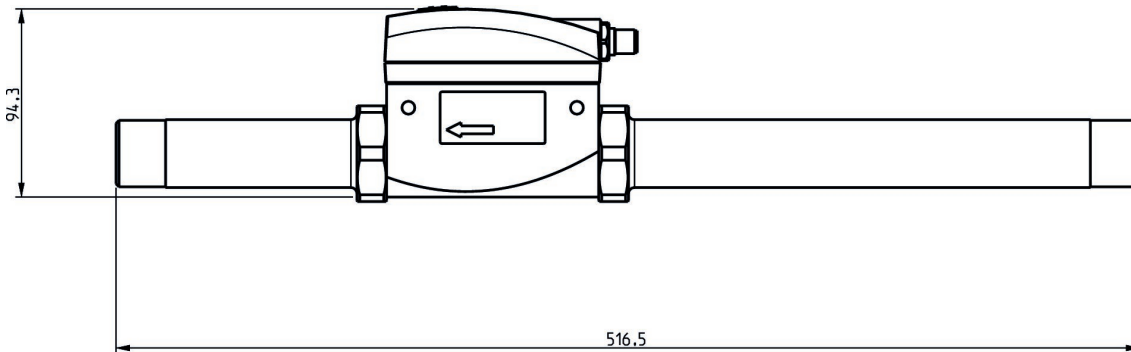
AF2 series flow rate sensor, tube version 653 with connection tube, IO-Link

Flow Flow: 2945 l/min
 Electrical connection 2, thread size: M12x1
 Frame size: DN25
 Certificates: CE declaration of conformity RoHS UL (Underwriters Laboratories)
 Electrical connection 2, number of poles: 5-pin
 Min. ambient temperature: -20 °C
 Max. ambient temperature: 60 °C
 Min. working pressure: 0 bar
 Max. working pressure: 16 bar

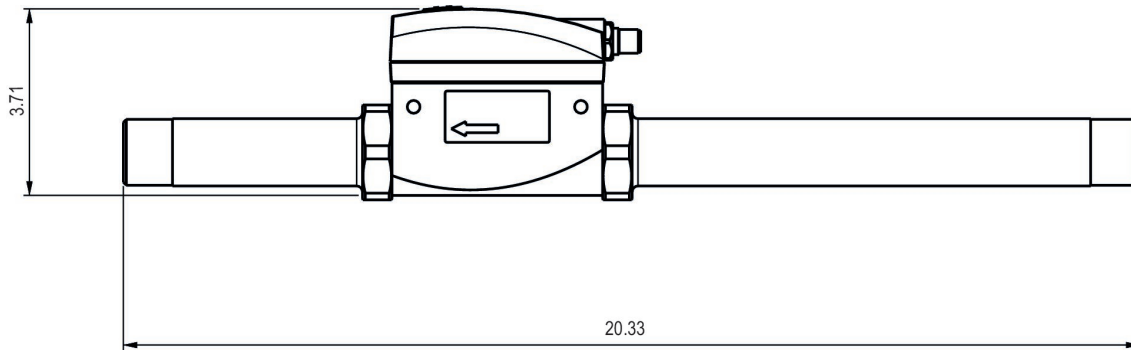


Frame size	Protocol	Output signal	Operational voltage	Port	Flow [l/min]	Part No.
DN25	IO-Link, Analog	PNP, NPN, push-pull, 1x IO-Link	17-30 V DC	G 1	2945	G653AV006JA0000
DN25	IO-Link, Analog	PNP, NPN, push-pull, 1x IO-Link	17-30 V DC	1 NPT	2945	8653AV006JA0000

Dimensions in mm

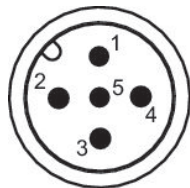


Dimensions in inches



G653AV006JA0000, 8653AV006JA0000

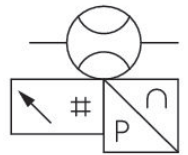
Pin assignments



Pin	Allocation	Wire color
1	L+ Supply Voltage	brown
2	QA (output 4 ... 20 mA)	white
3	m = mass	blue
4	C/Q1 (IO-Link/switch output)	black
5	Analog output 4 ... 20 mA	yellow

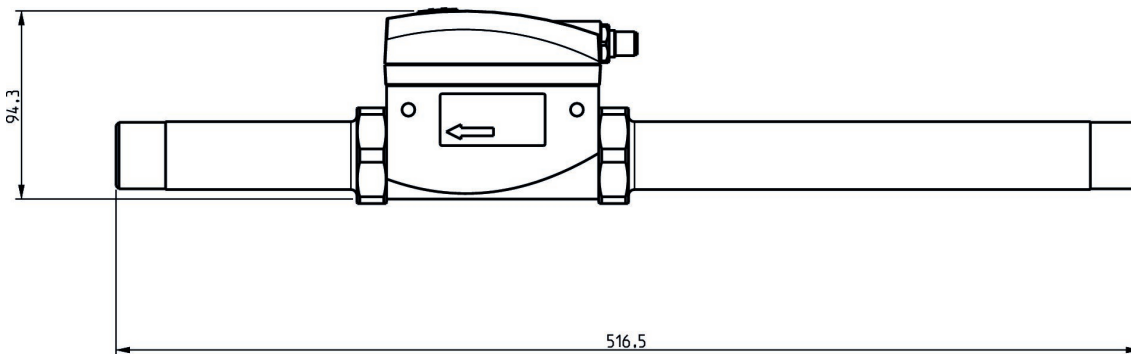
AF2 series flow rate sensor, tube version 653, Ethernet

Flow Flow: 2945 l/min
 Electrical connection 2, thread size: M12x1
 Frame size: DN25
 Certificates: CE declaration of conformity RoHS UL (Underwriters Laboratories)
 Electrical connection 2, number of poles: 8-pin
 Min. ambient temperature: -20 °C
 Max. ambient temperature: 60 °C
 Min. working pressure: 0 bar
 Max. working pressure: 16 bar

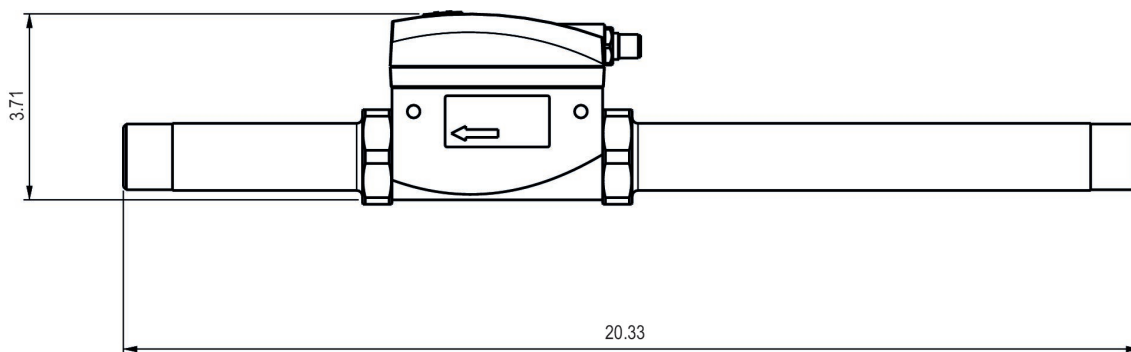


Frame size	Protocol	Output signal	Operational voltage	Port	Flow [l/min]	Part No.
DN25	TCP/IP, OPC UA, MQTT	OPC UA, MQTT, Integrated web server	24 V DC	G 1	2945	G653AV006JA0010
DN25	TCP/IP, OPC UA, MQTT	OPC UA, MQTT, Integrated web server	24 V DC	1 NPT	2945	8653AV006JA0010

Dimensions in mm

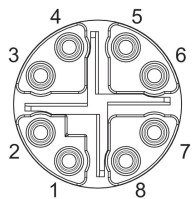


Dimensions in inches



G653AV006JA0010, 8653AV006JA0010

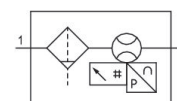
Pin assignments



Pin	RJ45	Wire color	Identification	10/100 Mbit
1	1	WH / OG	TX(+) + POE	TxData+
2	2	OG	TX(-) + POE	TxData+
3	3	WH / GN	RX(+) - POE	TxData-
4	6	GN	RX(-) - POE	TxData-
7	5	WH / BU	POE+	
8	4	BU	POE+	
5	7	WH / BN	POE-	
6	8	BN	POE-	

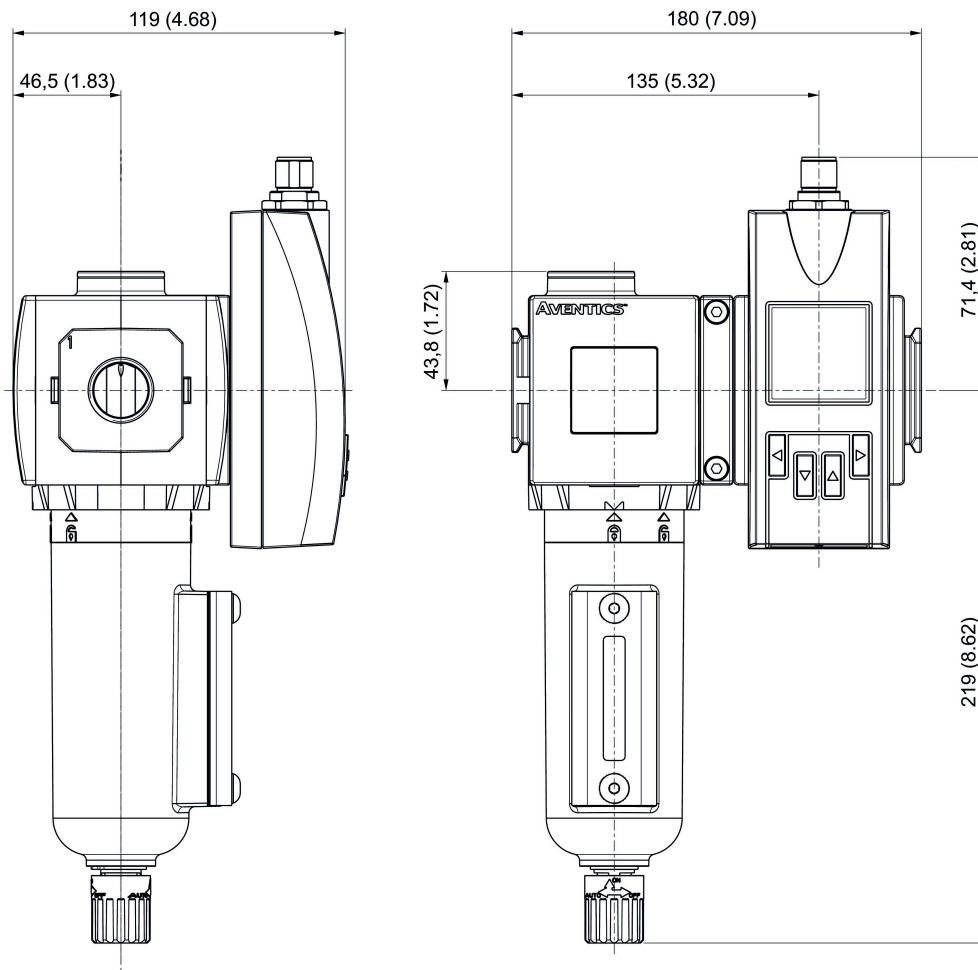
AF2 series flow rate sensor, Ethernet, without mounting

Electrical connection 2, thread size: M12x1
 Frame size: 653
 Certificates: CE declaration of conformity RoHS
 Electrical connection 2, number of poles: 8-pin
 Min. working pressure: 0 bar



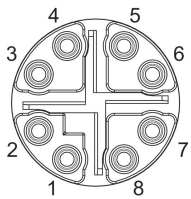
Frame size	Protocol	Output signal	Operational voltage	Port	Flow [l/min]	Part No.
653	TCP/IP, OPC UA, MQTT	OPC UA, MQTT, Integrated web server	24 V DC	1 NPT	4328	8653AVBP6JA001N
653	TCP/IP, OPC UA, MQTT	OPC UA, MQTT, Integrated web server	24 V DC	G 1	4328	G653AVBP6JA001N

Dimensions



8653AVBP6JA001N, G653AVBP6JA001N

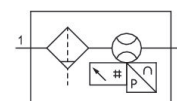
Pin assignments



Pin	RJ45	Wire color	Identification	10/100 Mbit
1	1	WH / OG	TX(+) + POE	TxData+
2	2	OG	TX(-) + POE	TxData+
3	3	WH / GN	RX(+) - POE	TxData-
4	6	GN	RX(-) - POE	TxData-
7	5	WH / BU	POE+	
8	4	BU	POE+	
5	7	WH / BN	POE-	
6	8	BN	POE-	

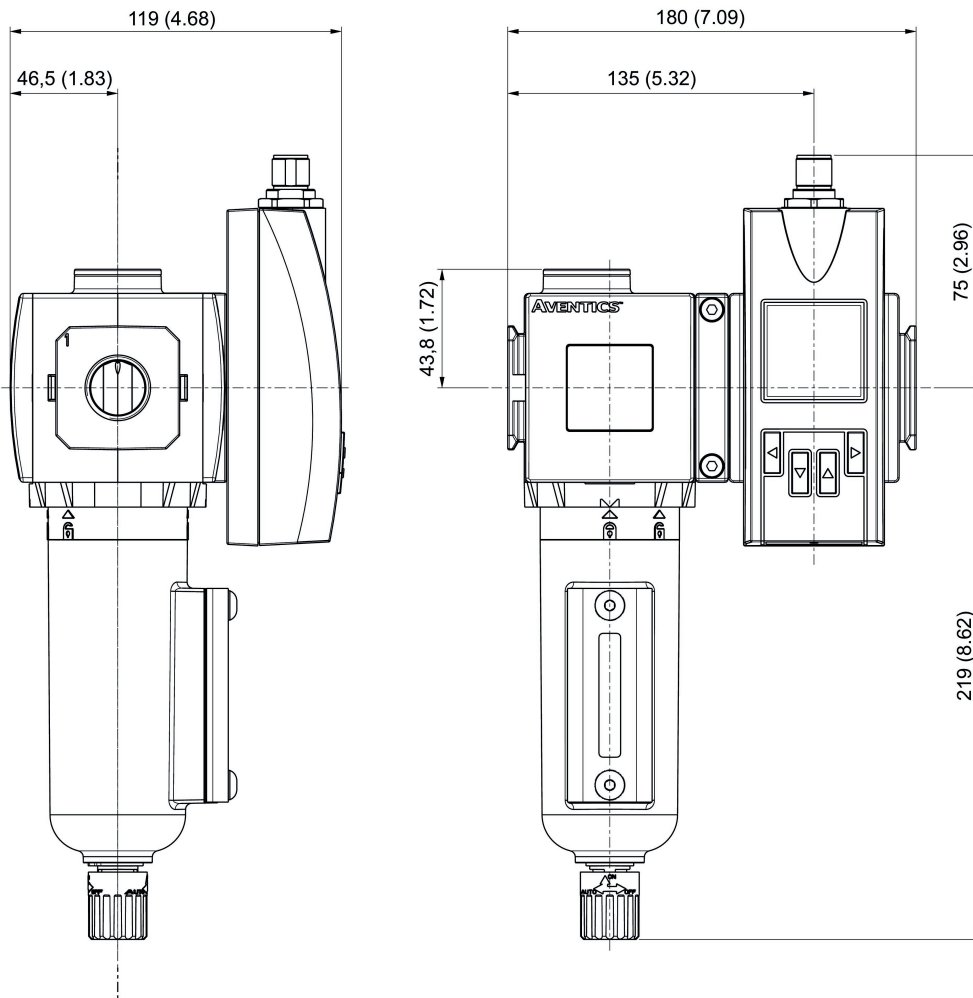
Series AF2 flow rate sensor, IO-Link, without mounting

Frame size: 653



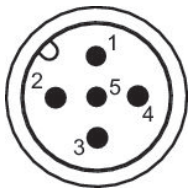
Frame size	Protocol	Output signal	Operational voltage	Port	Flow [l/min]	Part No.
653	IO-Link	PNP/NPN/ push-pull, switchable	17-30 V DC	1 NPT	4328	8653AVBP6JA000N
653	IO-Link	PNP/NPN/ push-pull, switchable	17-30 V DC	G 1	4328	G653AVBP6JA000N

Dimensions



8653AVBP6JA000N, G653AVBP6JA000N

Pin assignments



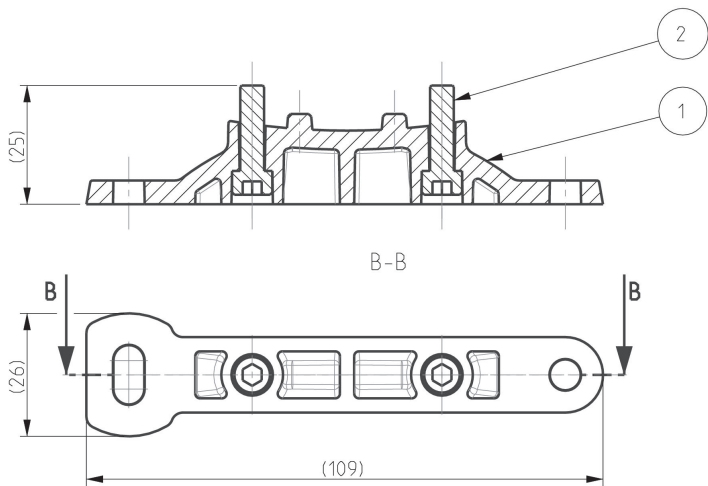
Pin	Allocation	Wire color
1	L+ Supply Voltage	brown
2	QA (output 4 ... 20 mA)	white
3	m = mass	blue
4	C/Q1 (IO-Link/switch output)	black
5	Analog output 4 ... 20 mA	yellow

Mounting clip



Material	Part No.
Aluminum	P699AT502467001

Dimensions



- 1) Mounting clip
- 2) Screw

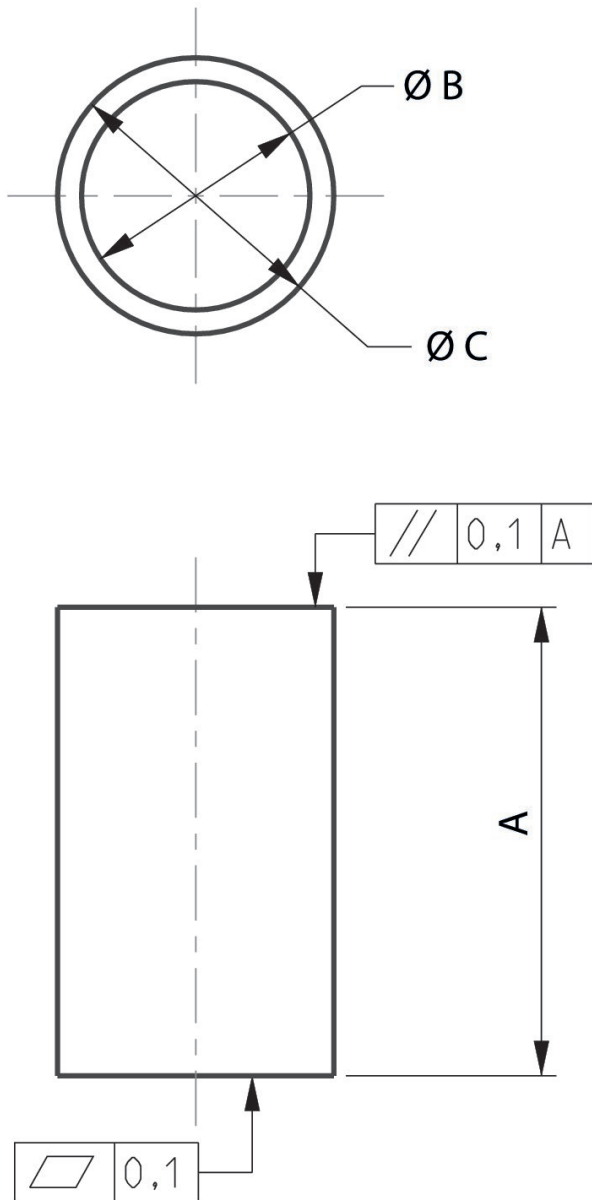
Filter element

For series: 653



Filter porosity [µm]	Color	Part No.
5	White	M653AE439490001
25	Yellow	M653AE439490002

Dimensions



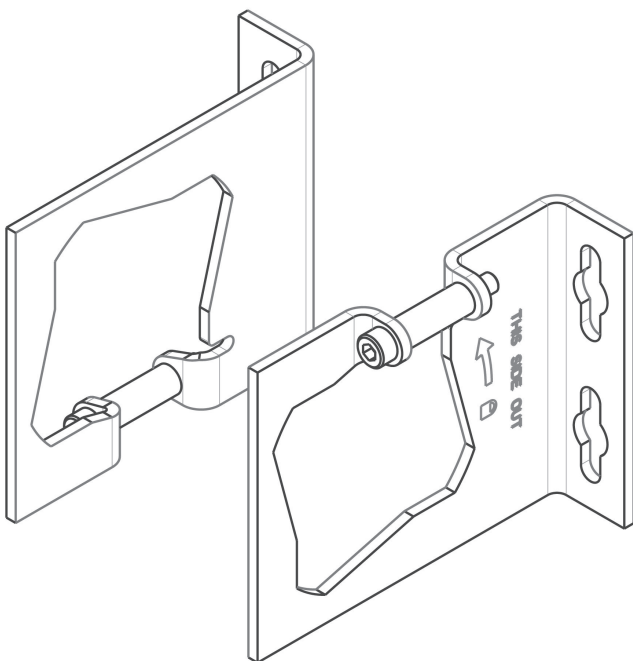
Series	653
A	80
B	32,4
C	38,4
tablefooter	

Mounting bracket



Material	Part No.
Aluminum	P653AT503860003

Dimensions

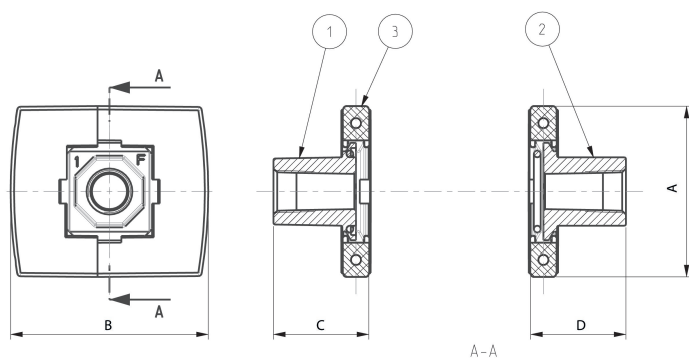


End plate kit



Port	Material	Part No.
G 1	Aluminum	T653AT507292002

Dimensions



- 1) Right end plate
- 2) Left end plate
- 3) Kit

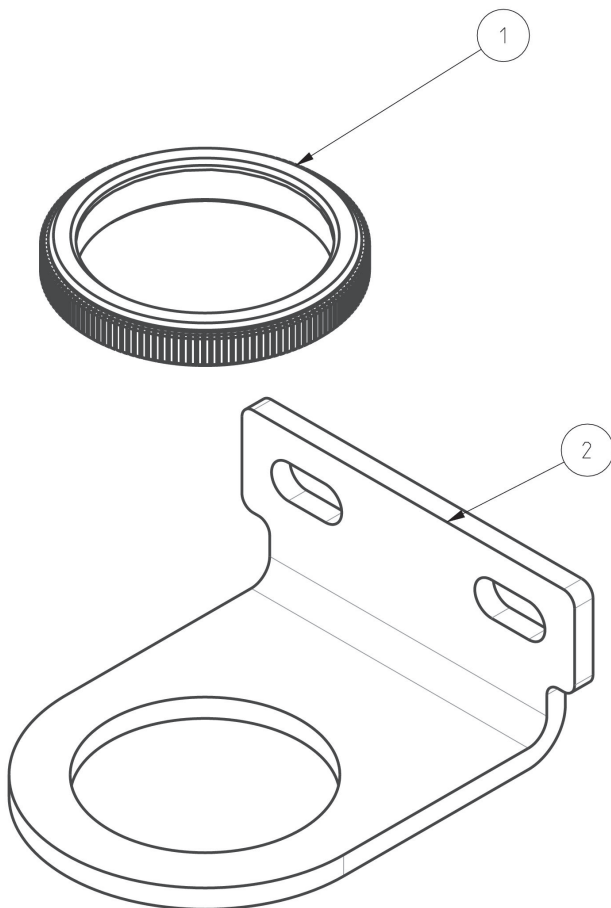
Series	653
A	82
B	93
C	57
D	57

Panel nut and bracket



Material	Part No.
Stainless Steel	P652AT503861003

Dimensions



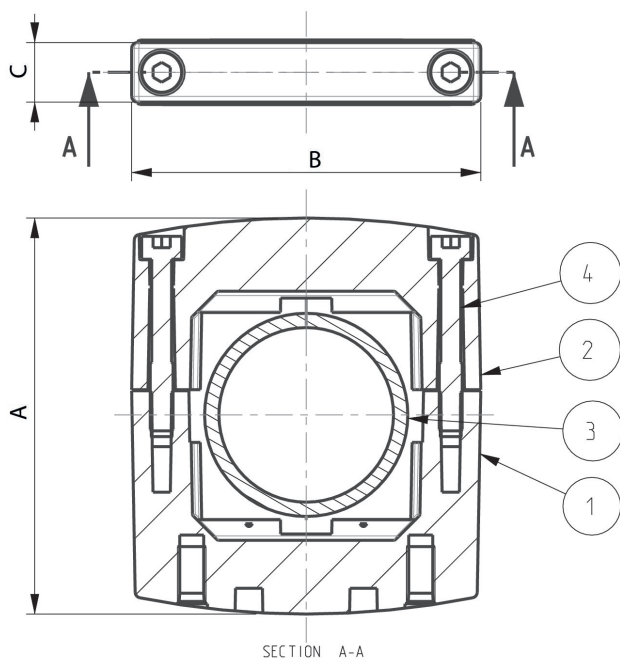
- 1) Panel nut
- 2) Mounting bracket

Block assembly kit



Material	Part No.
Aluminum	P653AT507291001

Dimensions







- 1) Block assembly kit
- 2) Block assembly kit
- 3) O-ring
- 4) Screw

Series	653
A	93
B	82
C	16

Efficient pneumatic solutions, our program:
cylinders and drives, valves and valve systems,
air supply management, proportional pressure
control valves



Visit us: www.Emerson.com/aventics
Your local contact: Emerson.com/contactus

-  Emerson.com
-  Facebook.com/EmersonAutomationSolutions
-  LinkedIn.com/company/Emerson-Automation-Solutions
-  Twitter.com/EMR_Automation



The Emerson logo is a trademark and service mark of Emerson Electric Co. AVENTICS is a registered trademark of one of the Emerson family of companies. All other trademarks are the property of their respective owners. © 2020 Emerson Electric Co. All rights reserved.



CONSIDER IT SOLVED™