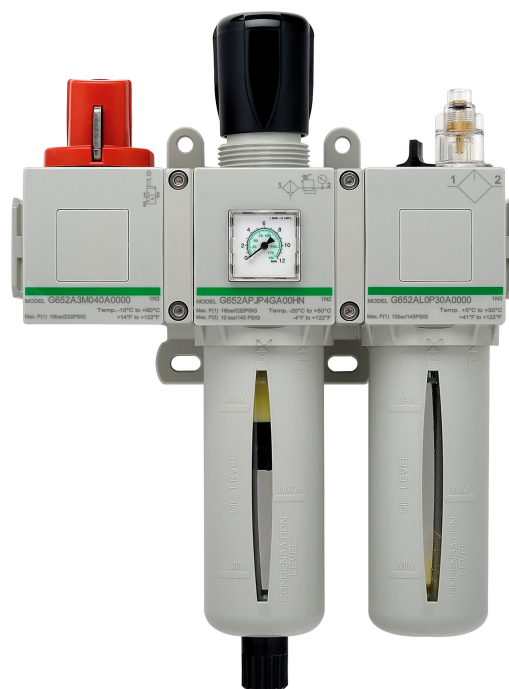


Series 652



AVENTICS™

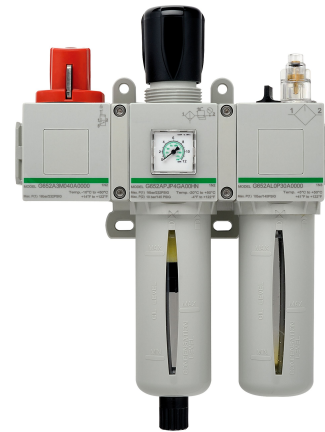
AVENTICS Series 652 Air
Preparation Units


EMERSON™

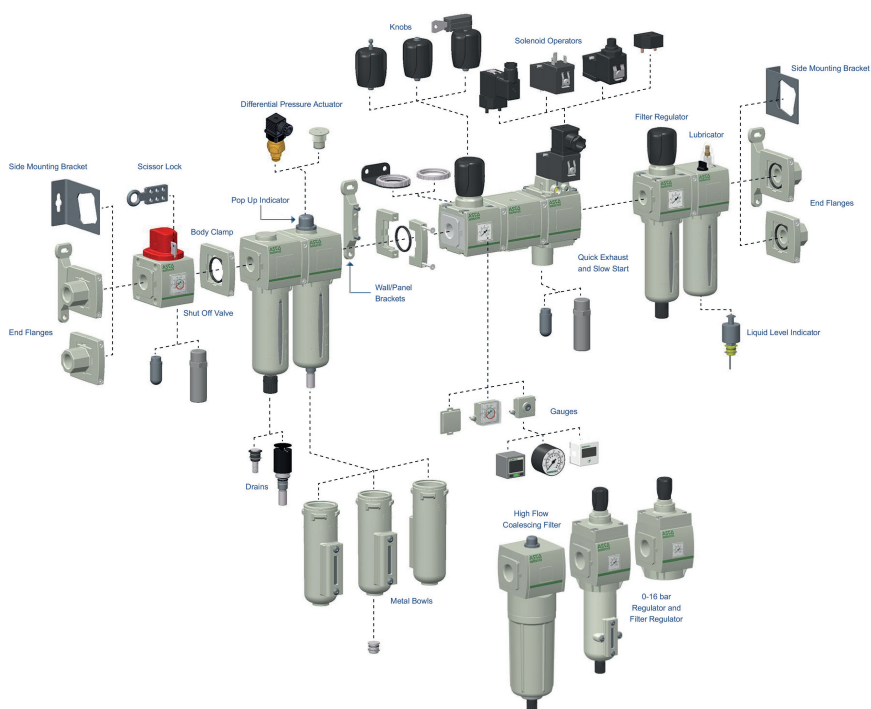
Series 652

The AVENTICS Series 652 is an easy-to-install line of pneumatic filters, regulators and lubricators (FRLs) that offer the industry's highest flow rates and widest temperature ratings. Available in 1/4-inch, 3/8-inch, and 1/2-inch port sizes, these FRLs are ideal for automotive and tire, packaging, food and beverage, and process applications requiring highly reliable operation and robust, modern-looking equipment. Available with integrated redundant safe exhaust valve and IIoT enabled air flow sensor.

- The industry's highest flow rates assure OEMs and maintenance managers that their air preparation products will optimize machine performance.
- Extended high- and low-temperature capabilities (-40° C to 80° C) allow the FRLs to be specified across a broad range of applications, including those within harsh environments
- New manifold endplate flanges allow the maintenance technician to pull the manifold assembly out of service without disconnecting the piping
- Front-facing easy-to-read, low-profile gauges improve serviceability. They are the only products of their type to offer these gauges on shut-off isolation valves and slow-start/quick-exhaust valves
- Optional pressure regulator with reverse flow check permits placement of the regulator between the valve and cylinder - allowing air to be exhausted through the regulator without causing damage or reduced life
- Optional integrated pressure range indicators allow the user to easily set the red/green colour indicators to the desired pressure range
- Available with integrated redundant safe exhaust valve to implement safety standards without affecting productivity. Meets ISO 13849 standard, category 3 PLd (Performance Level)
- Available with integrated IIoT enabled air flow sensor to monitor air consumption in pneumatic systems. This enables fast action in case leaks are detected, to optimize energy consumption, prevent machine downtime, and reduce costs.



Accessories overview

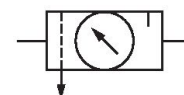


Product overview

	Page
Series 652	
Air preparation unit, 2-part, Series 652.....	5
Filter pressure regulator Lubricator	
Air preparation unit, 3-part, Series 652.....	8
Shut-off valve Filter pressure regulator Filling valve	
Air preparation unit, 3-part, Series 652.....	10
Shut-off valve Filter pressure regulator Lubricator	
Pressure regulator, Series 652.....	12
ATEX optional	
Filter pressure regulator, Series 652.....	16
Filter, Series 652.....	22
Standard oil-mist lubricator, Series 652.....	27
3/2-directional valve, electrically operated, Series 652.....	30
ATEX optional	
Filling unit, electrically operated, Series 652.....	33
ATEX optional	
3/2-shut-off valve, mechanically operated, Series 652.....	36
Distributor, Series 652.....	39
Accessories 652	
AF2 series flow rate sensor, Ethernet, without mounting.....	42
Integrated web server, 48 VDC connection via Power over Ethernet Without mounting - Ethernet TCP/IP OPC UA MQTT - Plug	
Series AF2 flow rate sensor, IO-Link, without mounting.....	44
Output signal: 1 analog output 4 mA ... 20 mA + 1 digital/analog output (PNP, NPN, push-pull, 4 mA ... 20 mA/switchable) + 1 digital output (PNP, NPN, push-pull, switchable), IO-Link V1.1 (COM3/230K4 baud) Without mounting - IO-Link Analog - Plug	
AF2 series flow rate sensor, tube version 652, Ethernet.....	46
Integrated web server, 48 VDC connection via Power over Ethernet Without mounting - Ethernet TCP/IP OPC UA MQTT - Plug	
AF2 series flow rate sensor, tube version 652, IO-Link.....	48
Output signal: 1 analog output 4 mA ... 20 mA + 1 digital/analog output (PNP, NPN, push-pull, 4 mA ... 20 mA/switchable) + 1 digital output (PNP, NPN, push-pull, switchable), IO-Link V1.1 (COM3/230K4 baud) Without mounting - IO-Link Analog - Plug	
Mounting bracket.....	50
Block assembly kit.....	51
Body-to-body assembly clamps	
End plate kit.....	52
Mounting clip.....	53
Panel nut and bracket.....	54
Filter element.....	55

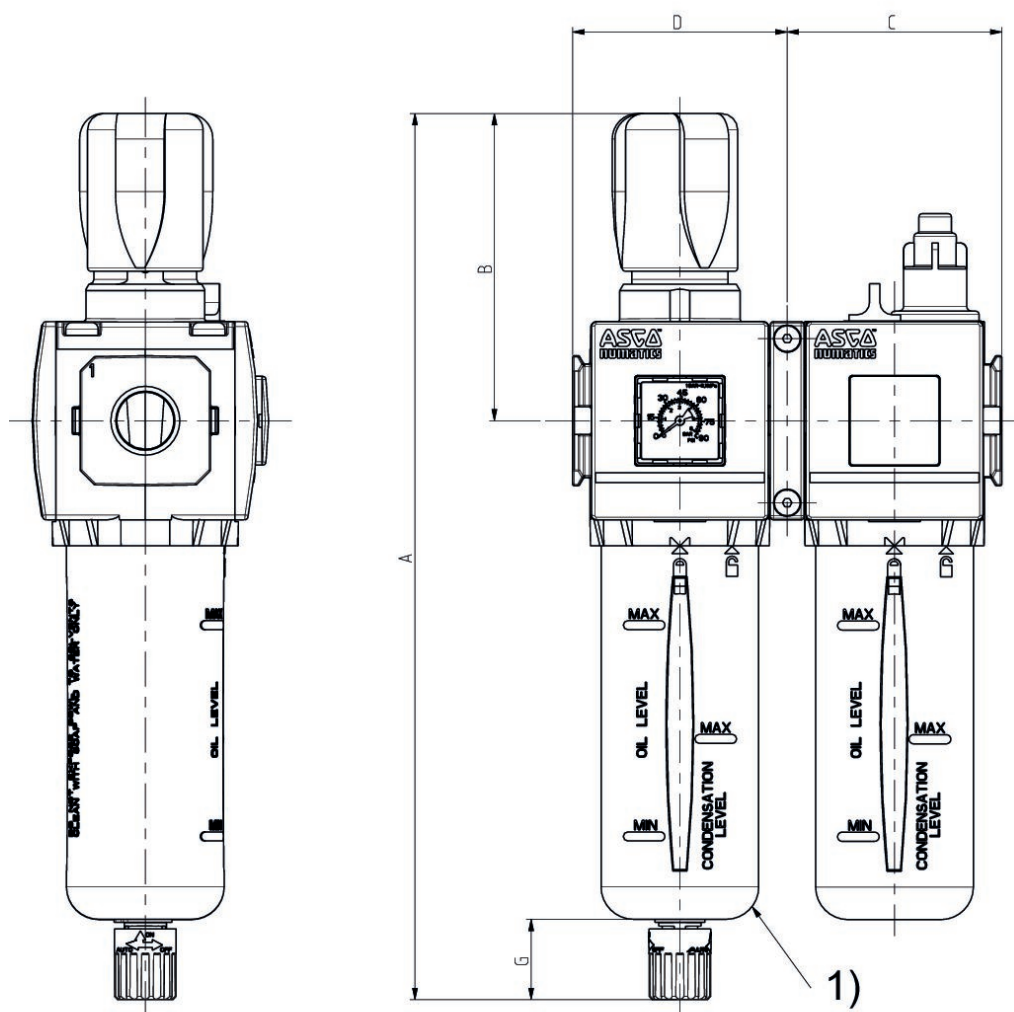
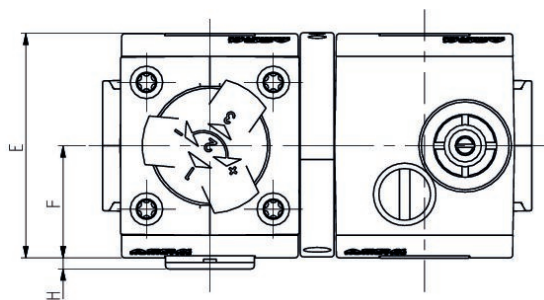
Air preparation unit, 2-part, Series 652

Parts: Air preparation units
Parts: Filter pressure regulator Lubricator



Port	Filter porosity [µm]	Condensate drain	Reservoir	Part No.
G 1/4	25	semi-automatic, open without pressure	Reservoir polycarbonate	A652A0000000001
G 3/8	25	semi-automatic, open without pressure	Reservoir polycarbonate	A652A0000000002
G 1/2	25	semi-automatic, open without pressure	Reservoir polycarbonate	A652A0000000003

Dimensions



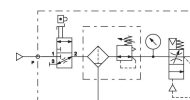
1) To remove the reservoir, allow a clearance of [[80] mm] from the bottom of the reservoir drain.

Series	652
A	273
B	94,5
C	66
D	66
E	69
F	34,5
G	25
H	3,4

Air preparation unit, 3-part, Series 652

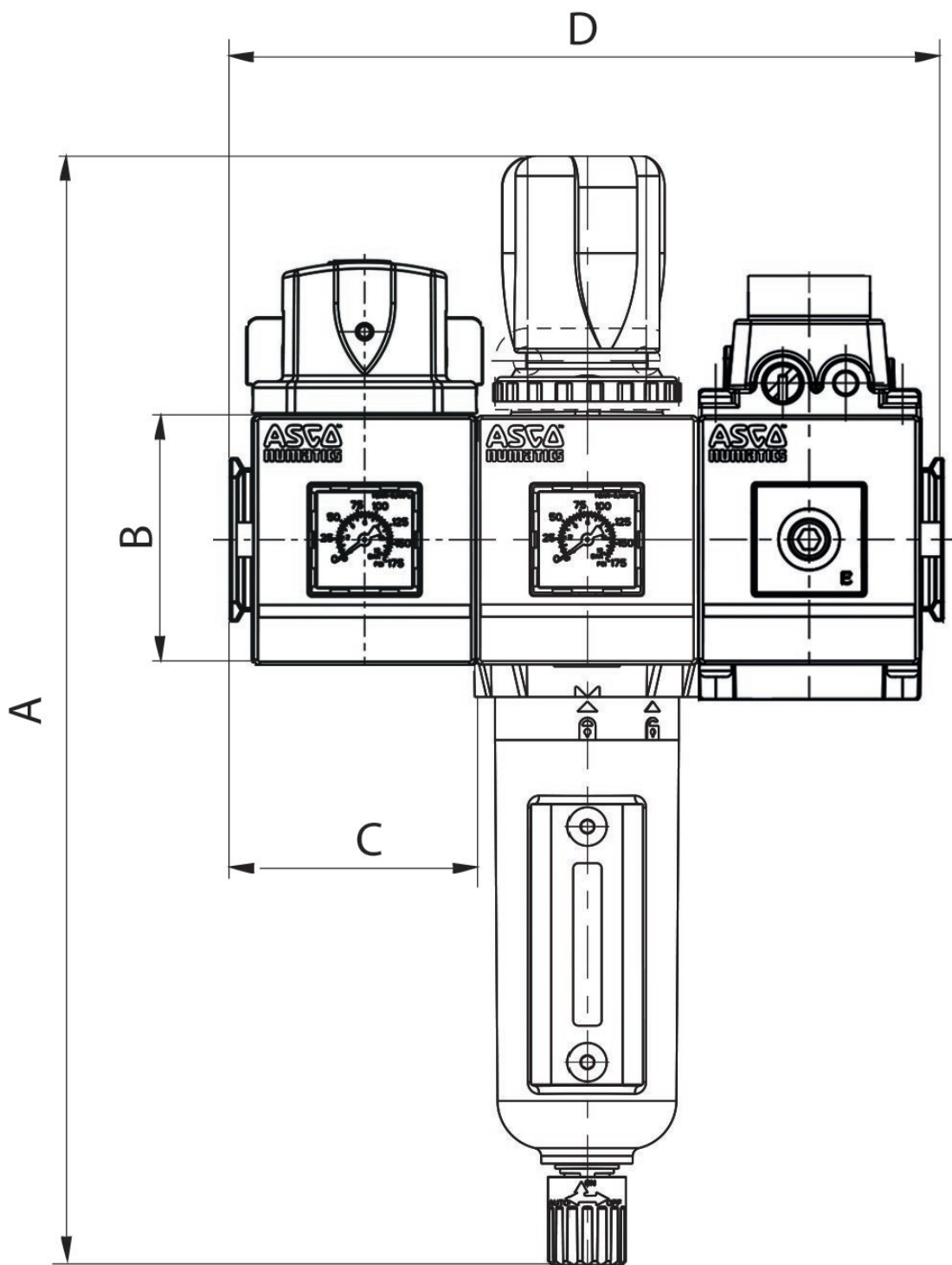
Parts: Air preparation units

Parts: Shut-off valve Filter pressure regulator Filling valve



Port	Filter porosity [µm]	Condensate drain	Reservoir	Part No.
G 1/4	25	semi-automatic, open without pressure	Reservoir polycarbonate	A652A0000003642
G 3/8	25	semi-automatic, open without pressure	Reservoir polycarbonate	A652A0000003643
G 1/2	25	semi-automatic, open without pressure	Reservoir polycarbonate	A652A0000003644

Dimensions

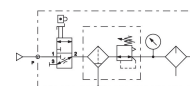


Series	652
A	273
B	69
C	66
D	198

Air preparation unit, 3-part, Series 652

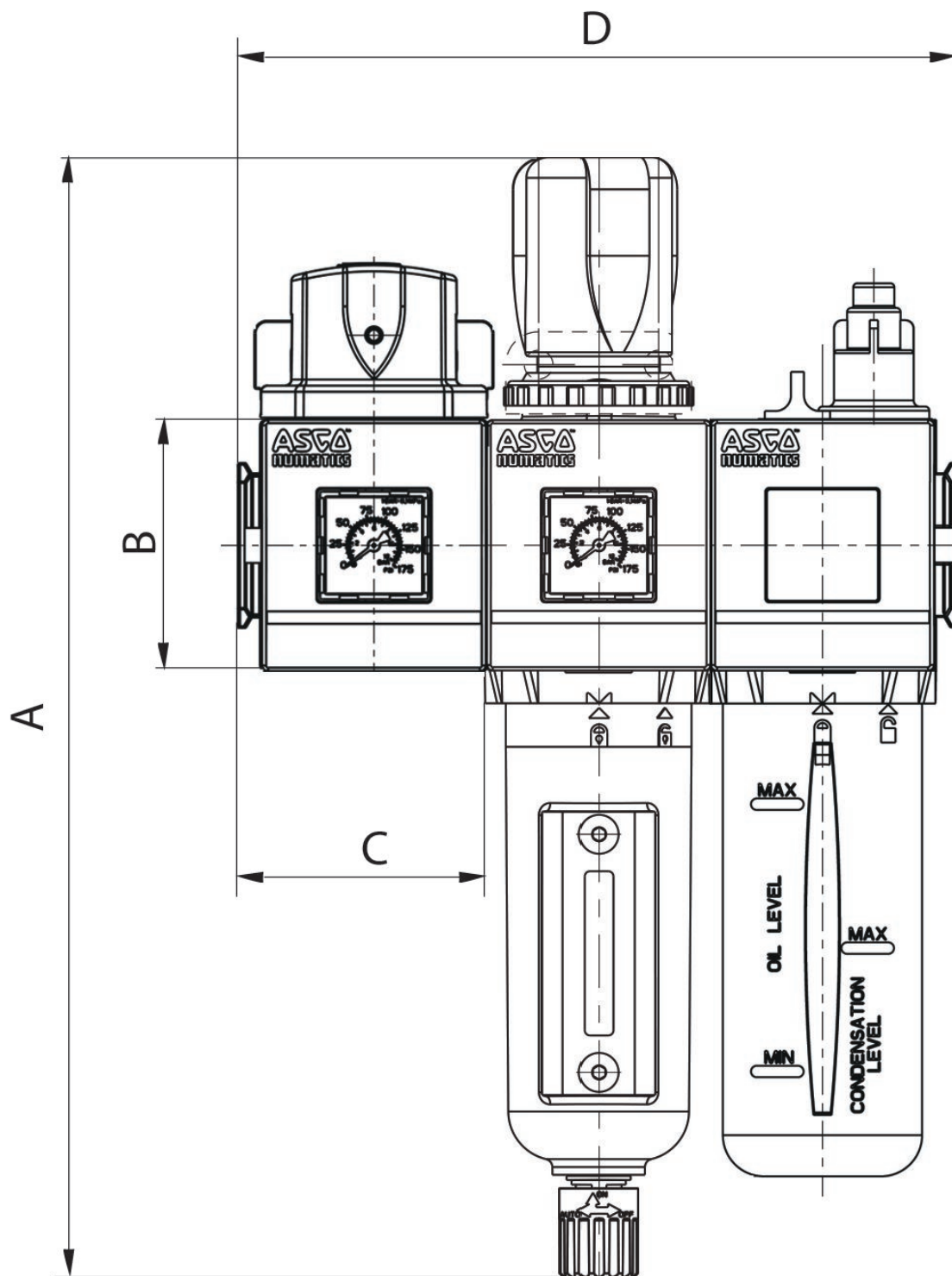
Parts: Air preparation units

Parts: Shut-off valve Filter pressure regulator Lubricator



Port	Filter porosity [µm]	Condensate drain	Reservoir	Part No.
G 1/4	25	semi-automatic, open without pressure	Reservoir polycarbonate	A652A0000003392
G 3/8	25	semi-automatic, open without pressure	Reservoir polycarbonate	A652A0000003393
G 1/2	25	semi-automatic, open without pressure	Reservoir polycarbonate	A652A0000002941

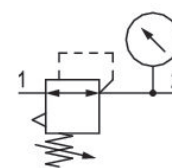
Dimensions



Series	652
A	273
B	69
C	66
D	198

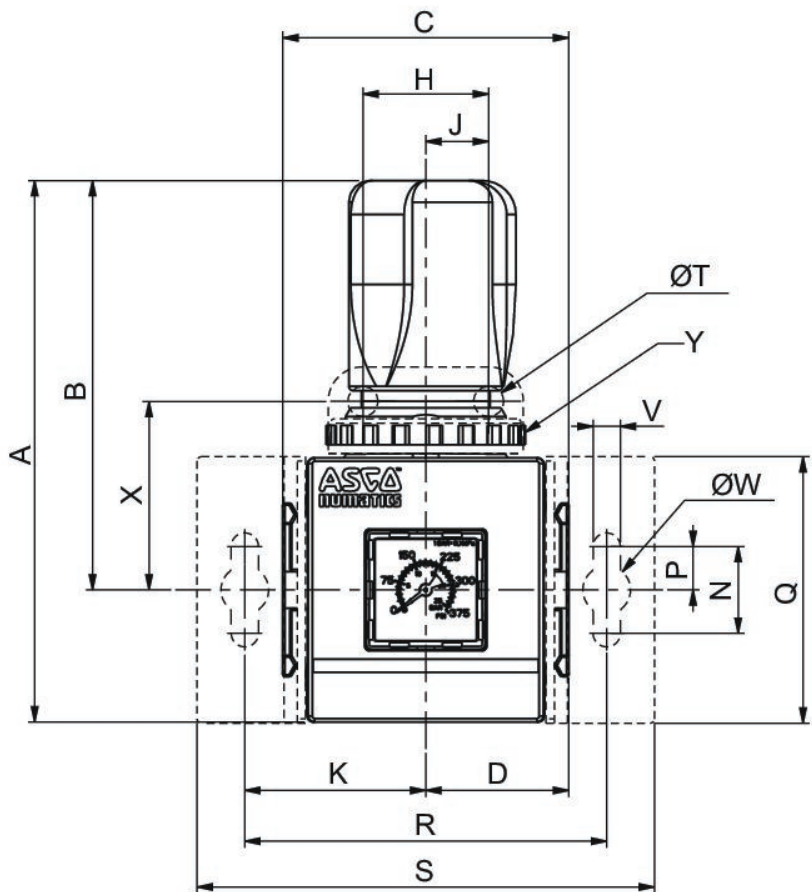
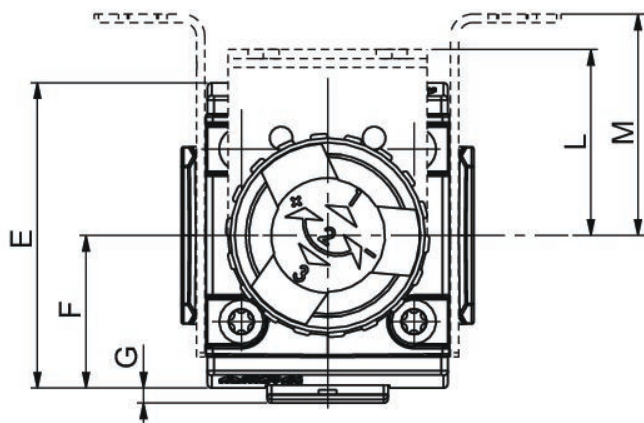
Pressure regulator, Series 652

Parts: Pressure regulator



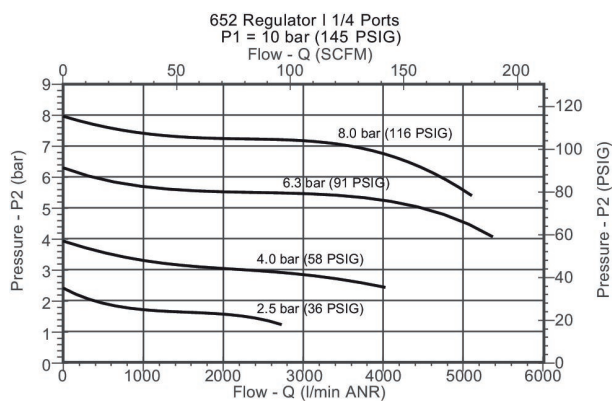
Port	Nominal flow [l/min]	Min. regulation range [bar]	Max. regulation range [bar]	Pressure gauge	Part No.
G 1/4	4120	0.5	10	With integrated pressure gauge	G652AR002GA00H0
G 1/4	4120	0.5	10	Transition plate for assembling a pressure gauge with connection thread G 1/8	G652AR002PA00H0
G 1/4	4120	0.5	10	with pressure gauge	G652AR002QA00H0
G 3/8	6530	0.5	10	With integrated pressure gauge	G652AR003GA00H0
G 3/8	6530	0.5	10	Transition plate for assembling a pressure gauge with connection thread G 1/8	G652AR003PA00H0
G 3/8	6530	0.5	10	with pressure gauge	G652AR003QA00H0
G 1/2	7000	0.5	10	With integrated pressure gauge	G652AR004GA00H0
G 1/2	7000	0.5	10	Transition plate for assembling a pressure gauge with connection thread G 1/8	G652AR004PA00H0
G 1/2	7000	0.5	10	with pressure gauge	G652AR004QA00H0

Dimensions

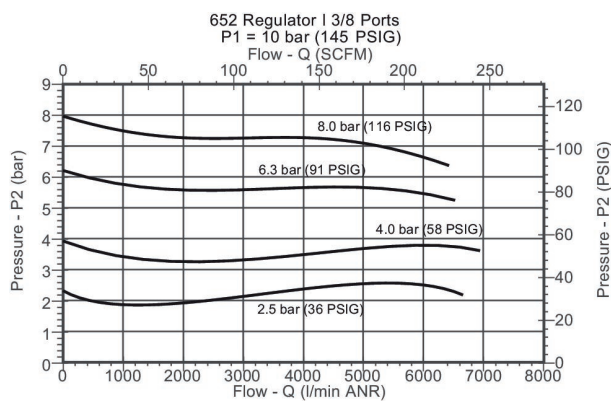


Series	652
A	125
B	94,5
C	66
D	33
E	69
F	34,5
G	2,5
H	29
J	14,5
K	41,75
L	42
M	50
N	20
P	10
Q	61,5
R	83,5
S	105,5
T	7
V	6,3
W	11
X	43,5
Y	M37x2

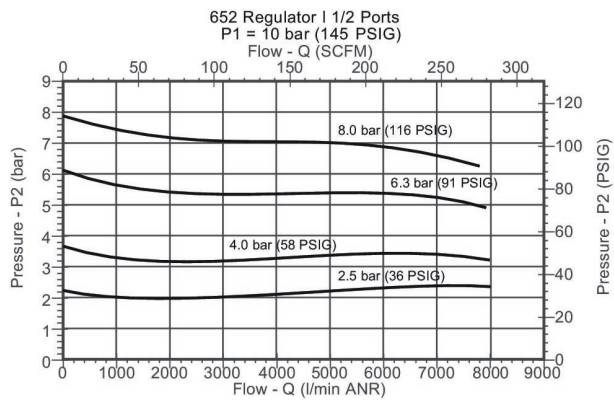
Flow diagram R412024742, R412024749, R412010090



Flow diagram R412024742, R412024749, R412010090

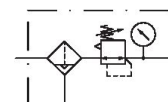


Flow diagram R412024742, R412024749, R412010090



Filter pressure regulator, Series 652

Parts: Filter pressure regulator

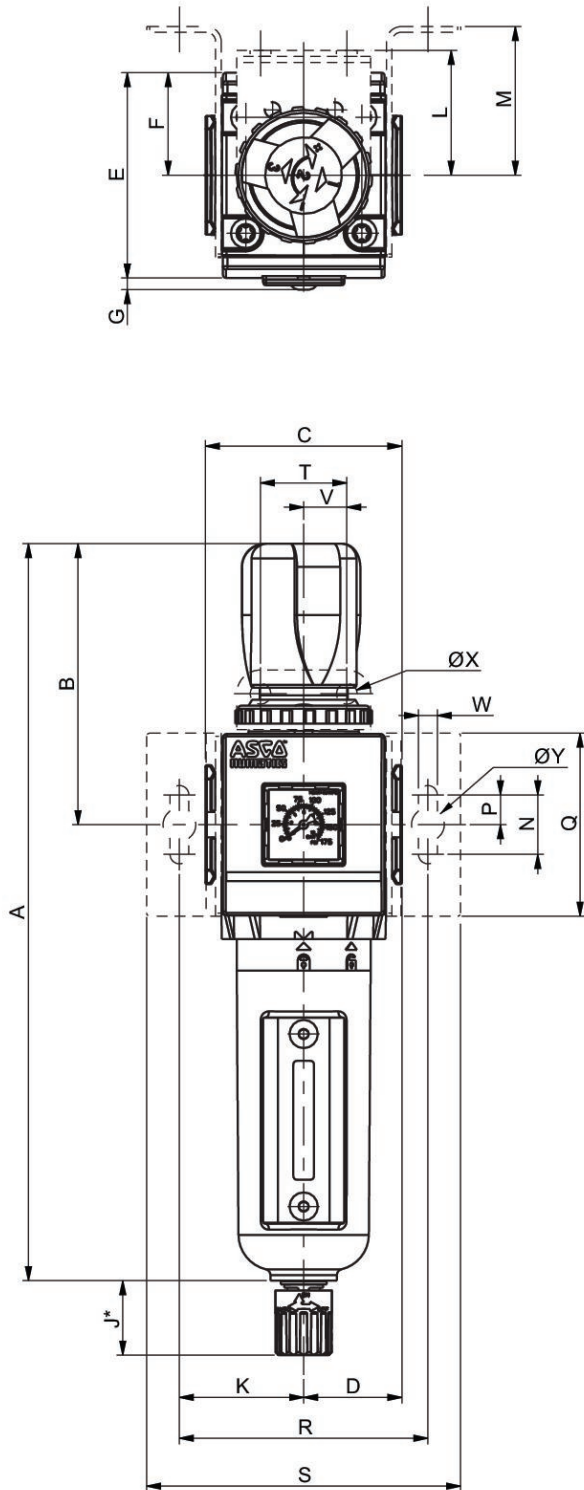


Port	Nominal flow [l/min]	Filter porosity [µm]	Condensate drain	Reservoir	Part No.
G 1/4	4450	5	fully automatic, open without pressure	Metal reservoir without window	G652APBK2GA00HA
G 1/4	3800	5	semi-automatic, open without pressure	Metal reservoir without window	G652APBK2GA00HN
G 3/8	4450	5	fully automatic, open without pressure	Metal reservoir without window	G652APBK3GA00HA
G 3/8	4450	5	semi-automatic, open without pressure	Metal reservoir without window	G652APBK3GA00HN
G 1/2	4490	5	fully automatic, open without pressure	Metal reservoir without window	G652APBK4GA00HA
G 3/8	4450	5	fully automatic, open without pressure	reservoir, metal, with inspection glass	G652APBL3GA00HA
G 1/2	4490	5	semi-automatic, open without pressure	Metal reservoir without window	G652APBK4GA00HN
G 1/4	3800	5	fully automatic, open without pressure	reservoir, metal, with inspection glass	G652APBL2GA00HA
G 1/4	3800	5	semi-automatic, open without pressure	reservoir, metal, with inspection glass	G652APBL2GA00HN
G 3/8	4450	5	semi-automatic, open without pressure	reservoir, metal, with inspection glass	G652APBL3GA00HN

Port	Nominal flow [l/min]	Filter porosity [µm]	Condensate drain	Reservoir	Part No.
G 1/2	4490	5	fully automatic, open without pressure	reservoir, metal, with inspection glass	G652APBL4GA00HA
G 1/2	4490	5	semi-automatic, open without pressure	reservoir, metal, with inspection glass	G652APBL4GA00HN
G 1/4	3800	5	fully automatic, open without pressure	Reservoir polycarbonate	G652APBP2GA00HA
G 1/4	3800	5	semi-automatic, open without pressure	Reservoir polycarbonate	G652APBP2GA00HN
G 3/8	4450	5	fully automatic, open without pressure	Reservoir polycarbonate	G652APBP3GA00HA
G 3/8	4450	5	semi-automatic, open without pressure	Reservoir polycarbonate	G652APBP3GA00HN
G 1/2	4490	5	fully automatic, open without pressure	Reservoir polycarbonate	G652APBP4GA00HA
G 1/2	4490	5	semi-automatic, open without pressure	Reservoir polycarbonate	G652APBP4GA00HN
G 1/4	4120	25	fully automatic, open without pressure	Metal reservoir without window	G652APJK2GA00HA
G 1/4	4120	25	semi-automatic, open without pressure	Metal reservoir without window	G652APJK2GA00HN
G 3/8	5420	25	fully automatic, open without pressure	Metal reservoir without window	G652APJK3GA00HA
G 3/8	5420	25	semi-automatic, open without pressure	Metal reservoir without window	G652APJK3GA00HN
G 1/2	5500	25	fully automatic, open without pressure	Metal reservoir without window	G652APJK4GA00HA
G 1/2	5500	25	semi-automatic, open without pressure	Metal reservoir without window	G652APJK4GA00HN
G 1/4	4120	25	fully automatic, open without pressure	reservoir, metal, with inspection glass	G652APJL2GA00HA
G 1/4	4120	25	semi-automatic, open	reservoir, metal, with	G652APJL2GA00HN

Port	Nominal flow [l/min]	Filter porosity [µm]	Condensate drain	Reservoir	Part No.
			without pressure	inspection glass	
G 3/8	5420	25	fully automatic, open without pressure	reservoir, metal, with inspection glass	G652APJL3GA00HA
G 3/8	5420	25	semi-automatic, open without pressure	reservoir, metal, with inspection glass	G652APJL3GA00HN
G 1/2	5500	25	fully automatic, open without pressure	reservoir, metal, with inspection glass	G652APJL4GA00HA
G 1/2	5500	25	semi-automatic, open without pressure	reservoir, metal, with inspection glass	G652APJL4GA00HN
G 1/4	4120	25	fully automatic, open without pressure	Reservoir polycarbonate	G652APJP2GA00HA
G 1/4	4120	25	semi-automatic, open without pressure	Reservoir polycarbonate	G652APJP2GA00HN
G 3/8	5420	25	fully automatic, open without pressure	Reservoir polycarbonate	G652APJP3GA00HA
G 3/8	5420	25	semi-automatic, open without pressure	Reservoir polycarbonate	G652APJP3GA00HN
G 1/2	5500	25	fully automatic, open without pressure	Reservoir polycarbonate	G652APJP4GA00HA
G 1/2	5500	25	semi-automatic, open without pressure	Reservoir polycarbonate	G652APJP4GA00HN

Dimensions

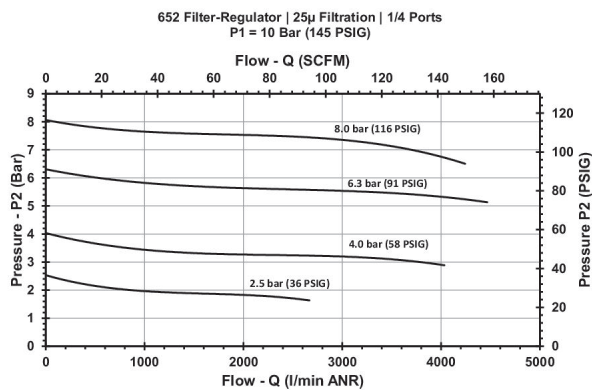


To remove the reservoir, allow a clearance of [[80] mm] from the bottom of the reservoir drain.

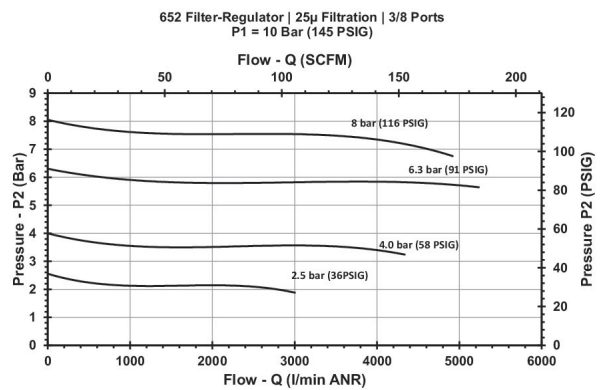
*Variable dimension based on the type of drain specified, if an automatic drain is specified, add another [[5] mm] to the "J" dimension.

Series	652
A	248
B	94,5
C	66
D	33
E	69
F	30,5
G	4
H	160
J	25
K	41,75
L	42
M	50
N	20
P	10
Q	61,5
R	84
S	105,5
T	29
V	14,5
W	6,3
X	7
Y	11

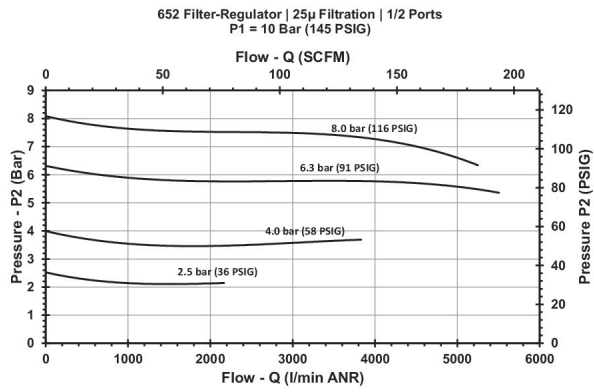
Flow diagram R412024742, R412024749, R412010090



Flow diagram R412024742, R412024749, R412010090

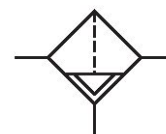


Flow diagram R412024742, R412024749, R412010090



Filter, Series 652

Parts: Filter

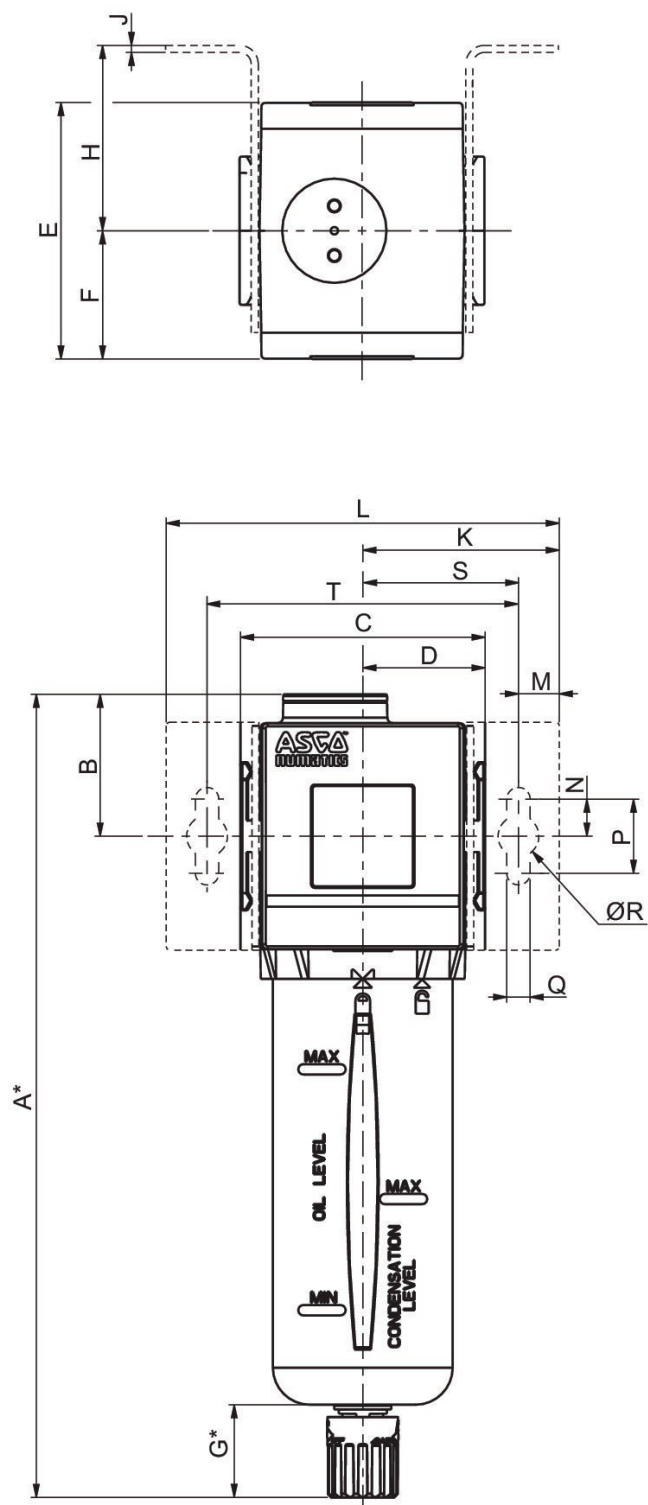


Port	Nominal flow [l/min]	Filter porosity [µm]	Condensate drain	Reservoir	Filter insert	Part No.
G 1/4	2250	5	fully automatic, open without pressure	Metal reservoir without window	Sintered polyethylene	G652ABBK2JA000A
G 1/4	2024	5	semi-automatic, open without pressure	Metal reservoir without window	Sintered polyethylene	G652ABBK2JA000N
G 1/4	2250	25	fully automatic, open without pressure	Metal reservoir without window	Sintered polyethylene	G652ABJK2JA000A
G 3/8	2185	5	fully automatic, open without pressure	Metal reservoir without window	Sintered polyethylene	G652ABBK3JA000A
G 1/4	2250	5	fully automatic, open without pressure	reservoir, metal, with inspection glass	Sintered polyethylene	G652ABBL2JA000A
G 3/8	3390	25	fully automatic, open without pressure	Metal reservoir without window	Sintered polyethylene	G652ABJK3JA000A
G 3/8	2185	5	semi-automatic, open without pressure	Metal reservoir without window	Sintered polyethylene	G652ABBK3JA000N
G 1/2	2290	5	fully automatic, open without pressure	Metal reservoir without window	Sintered polyethylene	G652ABBK4JA000A
G 1/2	2290	5	semi-automatic, open without pressure	Metal reservoir without window	Sintered polyethylene	G652ABBK4JA000N
G 1/4	2024	5	semi-automatic, open without pressure	reservoir, metal, with inspection glass	Sintered polyethylene	G652ABBL2JA000N

Port	Nominal flow [l/min]	Filter porosity [µm]	Condensate drain	Reservoir	Filter insert	Part No.
G 3/8	2190	5	fully automatic, open without pressure	reservoir, metal, with inspection glass	Sintered polyethylene	G652ABBL3JA000A
G 3/8	2185	5	semi-automatic, open without pressure	reservoir, metal, with inspection glass	Sintered polyethylene	G652ABBL3JA000N
G 1/2	2290	5	fully automatic, open without pressure	reservoir, metal, with inspection glass	Sintered polyethylene	G652ABBL4JA000A
G 1/2	2290	5	semi-automatic, open without pressure	reservoir, metal, with inspection glass	Sintered polyethylene	G652ABBL4JA000N
G 1/4	2024	5	fully automatic, open without pressure	reservoir, polycarbonate, with PA protective guard	Sintered polyethylene	G652ABBP2JA000A
G 1/4	2024	5	semi-automatic, open without pressure	reservoir, polycarbonate, with PA protective guard	Sintered polyethylene	G652ABBP2JA000N
G 3/8	2185	5	fully automatic, open without pressure	reservoir, polycarbonate, with PA protective guard	Sintered polyethylene	G652ABBP3JA000A
G 3/8	2185	5	semi-automatic, open without pressure	reservoir, polycarbonate, with PA protective guard	Sintered polyethylene	G652ABBP3JA000N
G 1/2	2290	5	fully automatic, open without pressure	reservoir, polycarbonate, with PA protective guard	Sintered polyethylene	G652ABBP4JA000A
G 1/2	2290	5	semi-automatic, open without pressure	reservoir, polycarbonate, with PA protective guard	Sintered polyethylene	G652ABBP4JA000N
G 1/4	2550	25	semi-automatic, open without pressure	Metal reservoir without window	Sintered polyethylene	G652ABJK2JA000N
G 3/8	3390	25	semi-automatic, open without pressure	Metal reservoir without window	Sintered polyethylene	G652ABJK3JA000N
G 1/2	3620	25	fully automatic, open without pressure	Metal reservoir without window	Sintered polyethylene	G652ABJK4JA000A

Port	Nominal flow [l/min]	Filter porosity [µm]	Condensate drain	Reservoir	Filter insert	Part No.
G 1/2	3700	25	semi-automatic, open without pressure	Metal reservoir without window	Sintered polyethylene	G652ABJK4JA000N
G 1/4	2550	25	fully automatic, open without pressure	reservoir, metal, with inspection glass	Sintered polyethylene	G652ABJL2JA000A
G 1/4	2550	25	semi-automatic, open without pressure	reservoir, metal, with inspection glass	Sintered polyethylene	G652ABJL2JA000N
G 3/8	3390	25	fully automatic, open without pressure	reservoir, metal, with inspection glass	Sintered polyethylene	G652ABJL3JA000A
G 3/8	3390	25	semi-automatic, open without pressure	reservoir, metal, with inspection glass	Sintered polyethylene	G652ABJL3JA000N
G 1/2	3700	25	fully automatic, open without pressure	reservoir, metal, with inspection glass	Sintered polyethylene	G652ABJL4JA000A
G 1/2	3620	25	semi-automatic, open without pressure	reservoir, metal, with inspection glass	Sintered polyethylene	G652ABJL4JA000N
G 1/4	2250	25	fully automatic, open without pressure	reservoir, polycarbonate, with PA protective guard	Sintered polyethylene	G652ABJP2JA000A
G 1/4	2250	25	semi-automatic, open without pressure	reservoir, polycarbonate, with PA protective guard	Sintered polyethylene	G652ABJP2JA000N
G 3/8	3390	25	fully automatic, open without pressure	reservoir, polycarbonate, with PA protective guard	Sintered polyethylene	G652ABJP3JA000A
G 3/8	3390	25	semi-automatic, open without pressure	reservoir, polycarbonate, with PA protective guard	Sintered polyethylene	G652ABJP3JA000N
G 1/2	3620	25	fully automatic, open without pressure	reservoir, polycarbonate, with PA protective guard	Sintered polyethylene	G652ABJP4JA000A
G 1/2	3620	25	semi-automatic, open without pressure	reservoir, polycarbonate, with PA protective guard	Sintered polyethylene	G652ABJP4JA000N

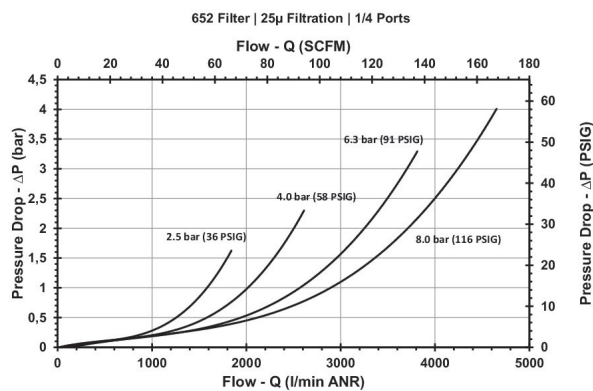
Dimensions



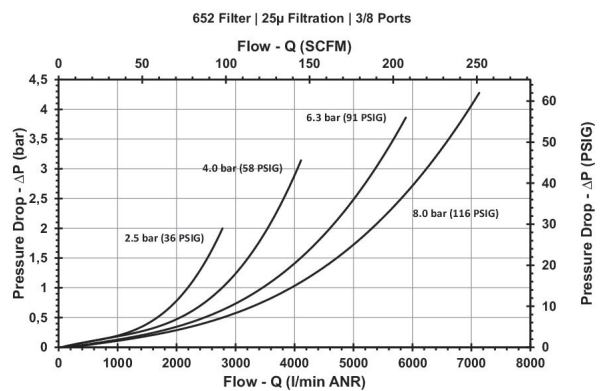
*Variable dimension based on the type of drain specified, if an automatic drain is specified, add another [[5] mm] to the "G" dimension, which also adds 5 mm to the "A" dimension.

Series	652
A	217
B	38,3
C	66
D	33
E	69
F	34,5
G	25
H	50
J	1,9
K	53
L	106
M	11
N	10
P	20
Q	6,3
R	11
S	42
T	84

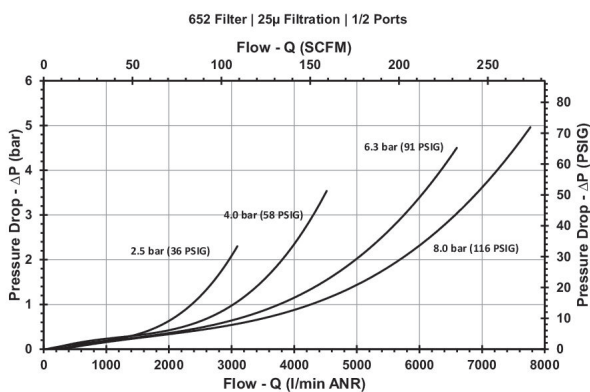
Flow diagram R412024742, R412024749, R412010090



Flow diagram R412024742, R412024749, R412010090

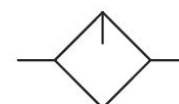


Flow diagram R412024742, R412024749, R412010090



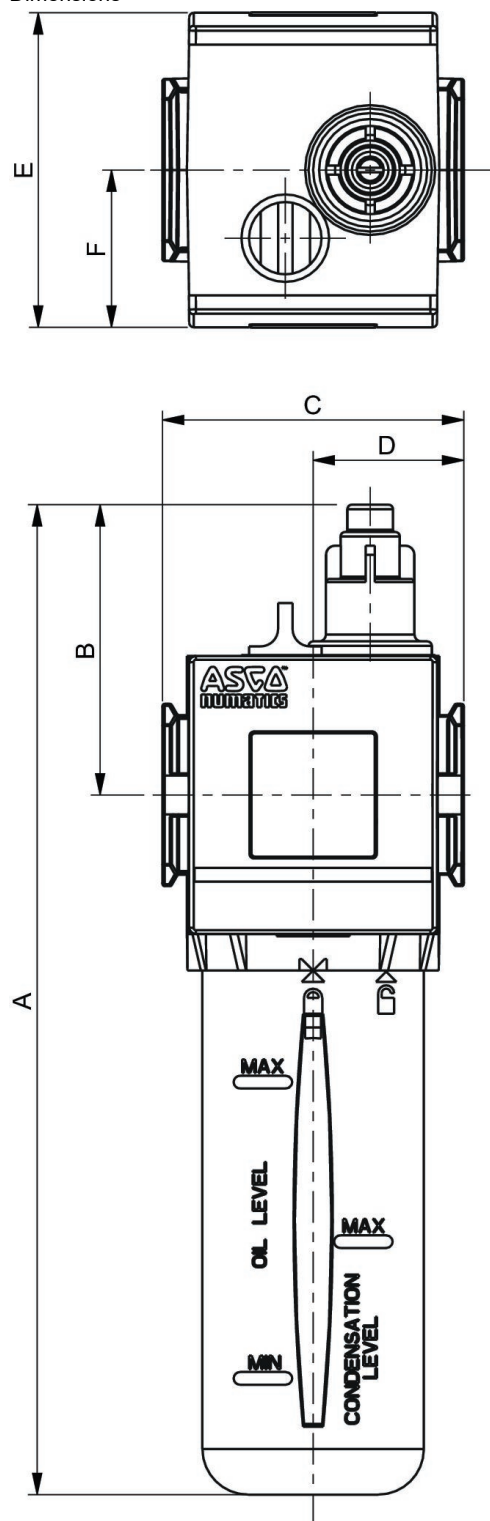
Standard oil-mist lubricator, Series 652

Parts: Lubricator



Port	Nominal flow [l/min]	Reservoir	Lubricator reservoir volume [cm ³]	Part No.
G 1/4	2780	Metal reservoir without window	72	G652AL0K20A0000
G 3/8	5000	Metal reservoir without window	72	G652AL0K30A0000
G 1/2	6500	Metal reservoir without window	72	G652AL0K40A0000
G 1/4	3500	reservoir, metal, with inspection glass	72	G652AL0L20A0000
G 3/8	5000	reservoir, metal, with inspection glass	72	G652AL0L30A0000
G 1/2	6500	reservoir, metal, with inspection glass	72	G652AL0L40A0000
G 1/4	3500	Reservoir polycarbonate	72	G652AL0P20A0000
G 3/8	5000	Reservoir polycarbonate	72	G652AL0P30A0000
G 1/2	6500	Reservoir polycarbonate	72	G652AL0P40A0000

Dimensions

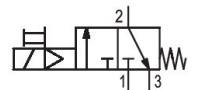


To remove the reservoir, allow a clearance of [[25] mm] from the bottom of the reservoir drain.

Series	652
A	217
B	64
C	66
D	33
E	69
F	30,5
G	135

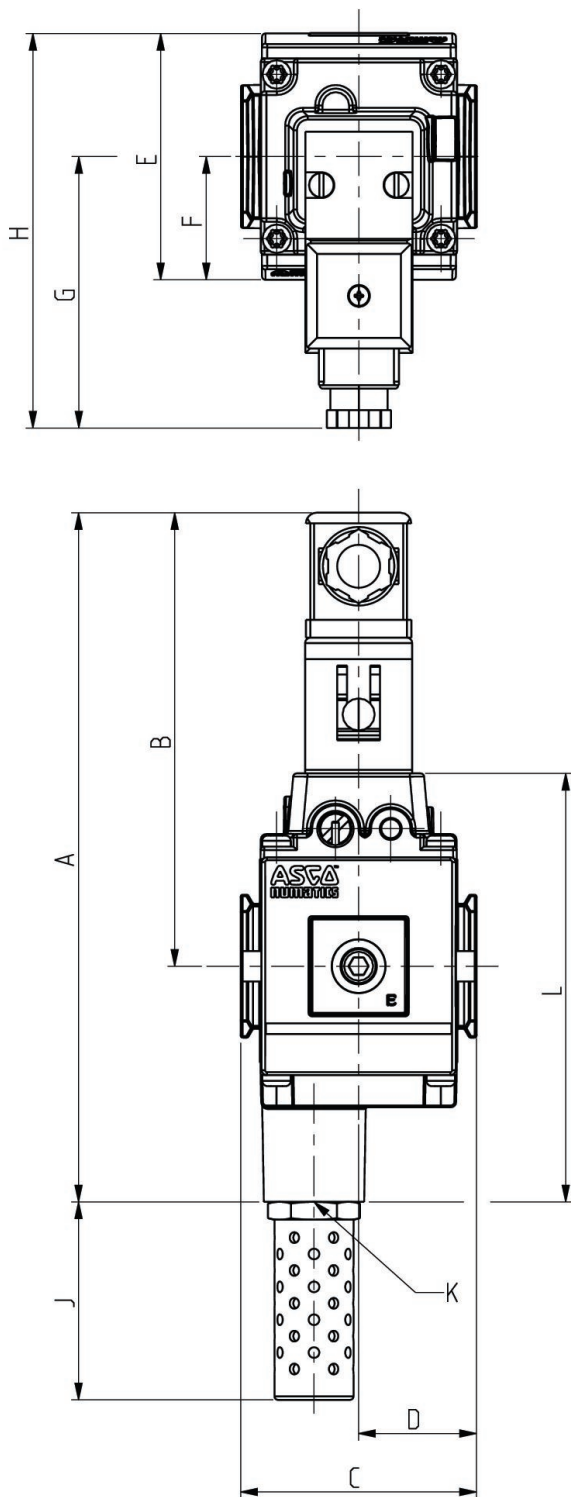
3/2-directional valve, electrically operated, Series 652

Activation: Electrically
Type: Poppet valve



Port	Nominal flow [l/min]	Operational voltage	Part No.
G 1/4	1500	24 V DC	G652A5S620A00F1
G 1/2	4650	24 V DC	G652A5S640A00F1
G 1/4	1500	230 V AC	G652A5S620A00FH
G 1/2	4650	230 V AC	G652A5S640A00FH
G 3/8	3750	24 V DC	G652A5S630A00F1
G 3/8	3750	230 V AC	G652A5S630A00FH

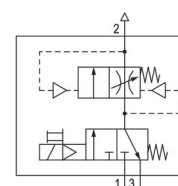
Dimensions



Series	652
A	193
B	127
C	66
D	33
E	69
F	34,5
G	76
H	110,5
J	57
K	G 1/2
L	120

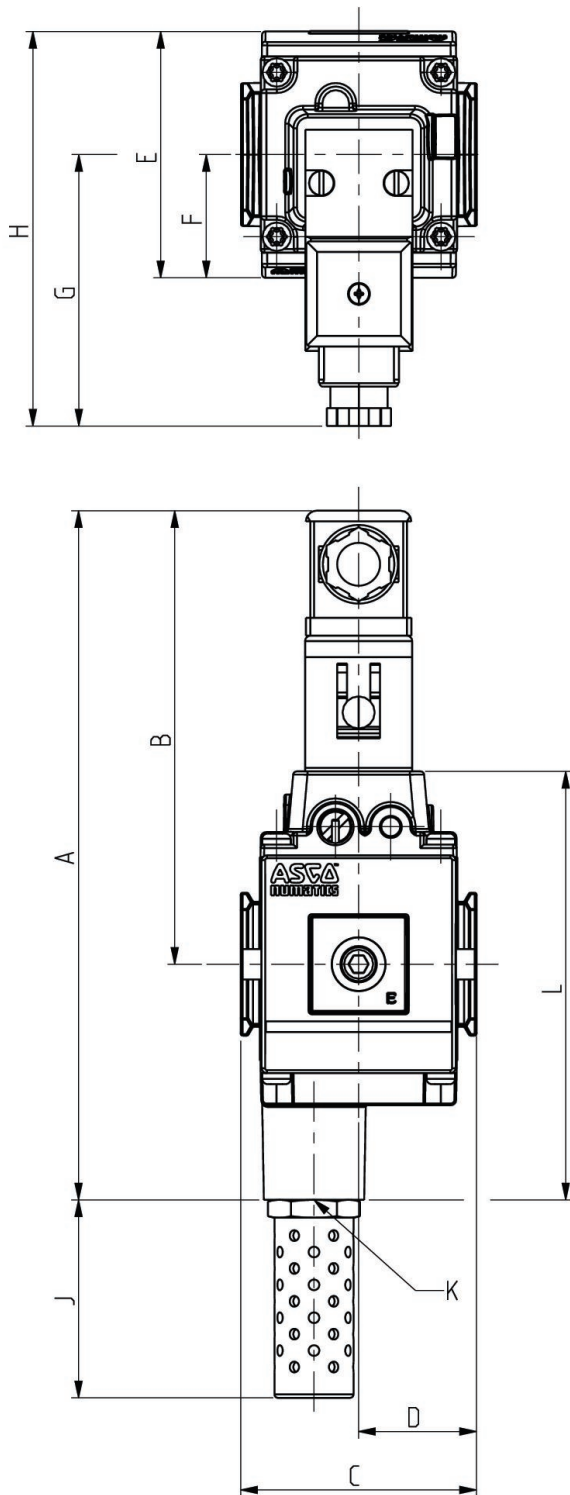
Filling unit, electrically operated, Series 652

Activation: Electrically
Type: Poppet valve



Port	Nominal flow [l/min]	Operational voltage	Part No.
G 1/4	1500	24 V DC	G652A6S620A00F1
G 1/4	1500	230 V AC	G652A6S620A00FH
G 3/8	3750	24 V DC	G652A6S630A00F1
G 3/8	3750	230 V AC	G652A6S630A00FH
G 1/2	4650	24 V DC	G652A6S640A00F1
G 1/2	4650	230 V AC	G652A6S640A00FH

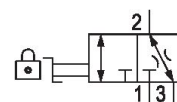
Dimensions



Series	652
A	193
B	127
C	66
D	33
E	69
F	34,5
G	76
H	110,5
J	57
K	G 1/2
L	120

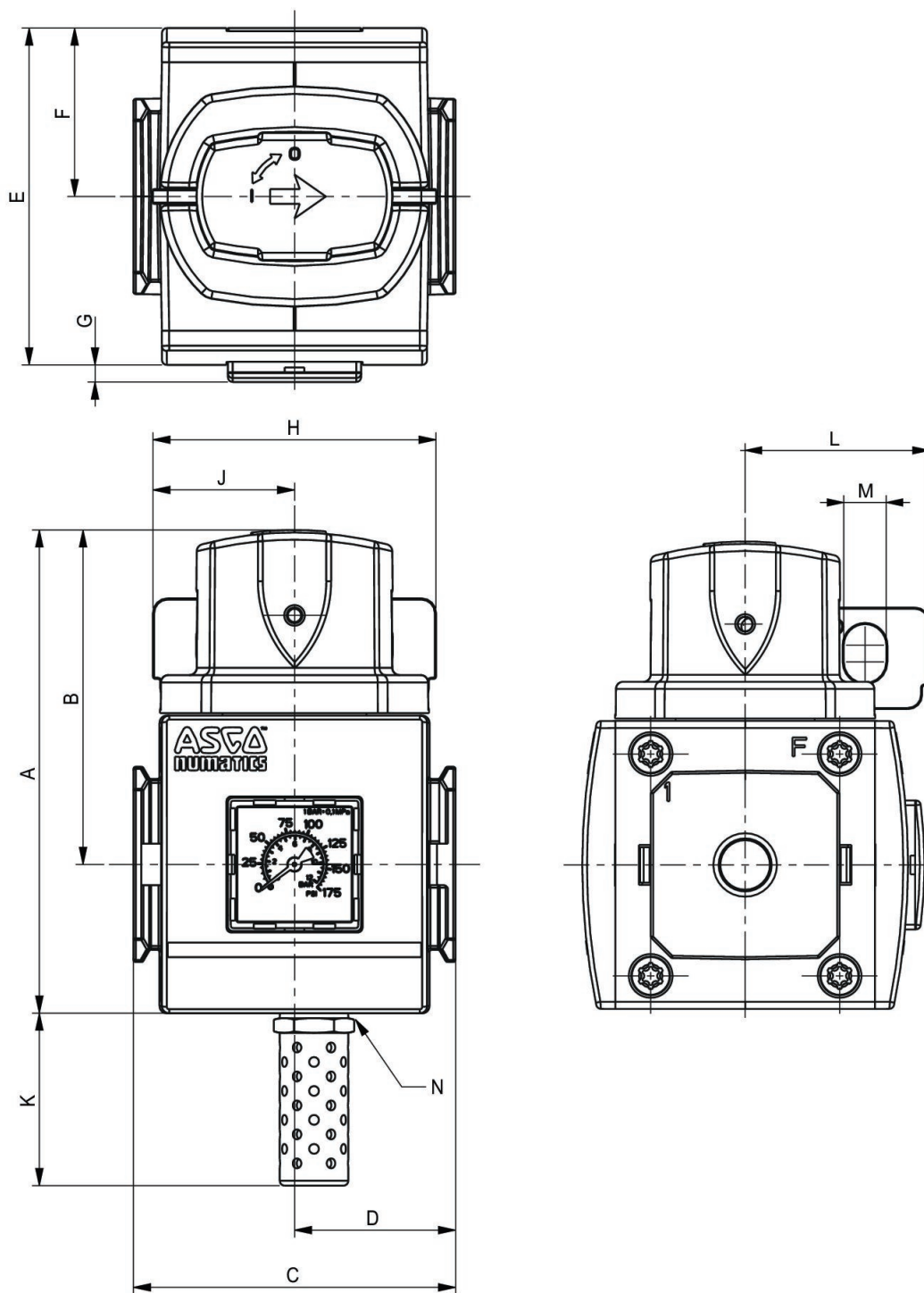
3/2-shut-off valve, mechanically operated, Series 652

Activation: Mechanical



Port	Nominal flow [l/min]	Silencer	Part No.
G 1/4	4300	metal	G652A3M02011100
G 1/4	4300	Plastic	G652A3M02011200
G 1/4	4300		G652A3M020A0000
G 3/8	8800	metal	G652A3M03011100
G 3/8	8800	Plastic	G652A3M03011200
G 3/8	8800		G652A3M030A0000
G 1/2	11400	metal	G652A3M04011100
G 1/2	11400	Plastic	G652A3M04011200
G 1/2	11400		G652A3M040A0000

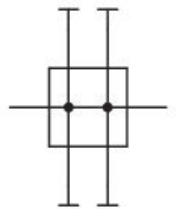
Dimensions



Series	652
A	99
B	68
C	66
D	33
E	69
F	34,5
G	2,5
H	58
J	29
K	35
L	39
M	9
N	G 1/4
tablefooter	

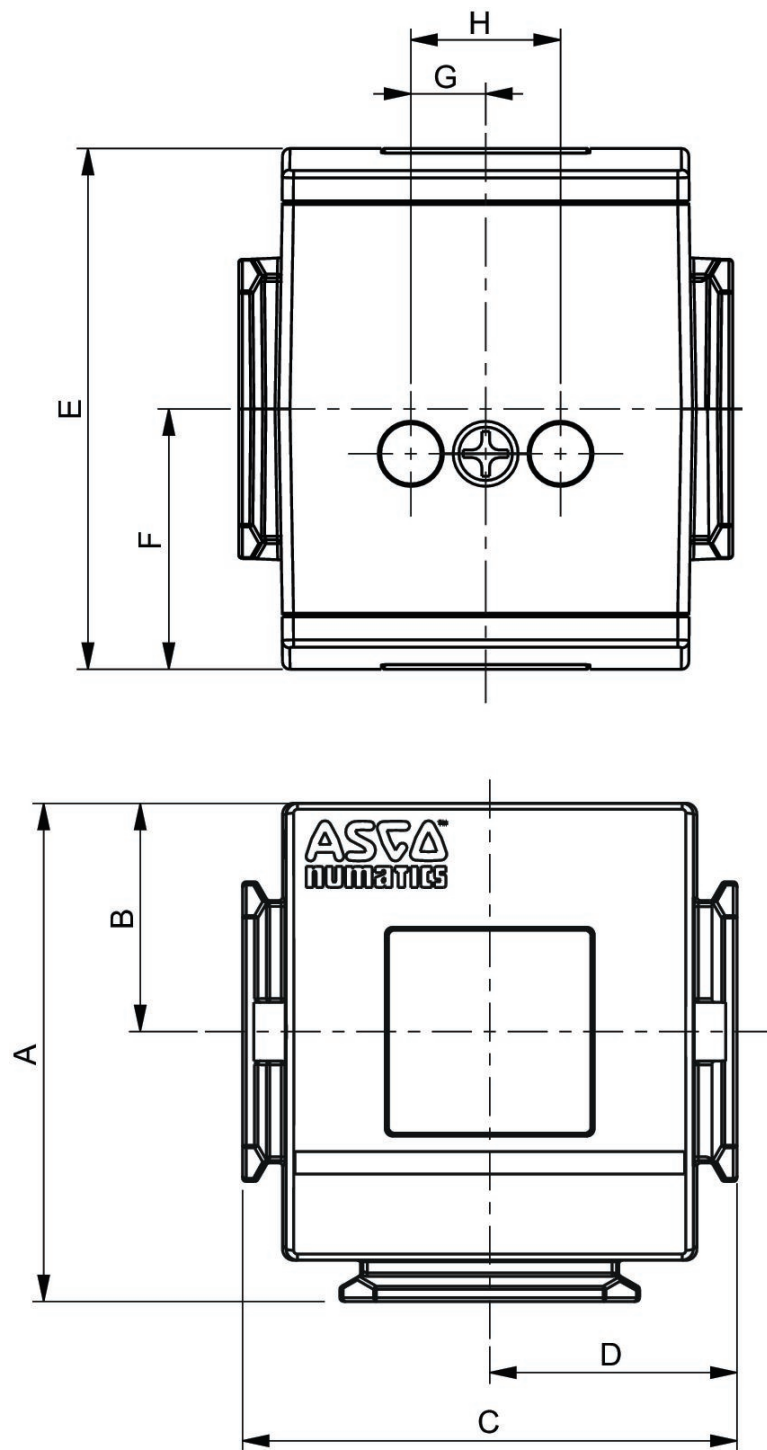
Distributor, Series 652

Parts: Distributor



Port	Part No.
G 1/2	G652AD004CA0000

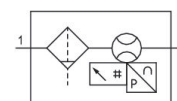
Dimensions



Series	652
A	66,5
B	30,5
C	66
D	33
E	70
F	35
G	10
H	20

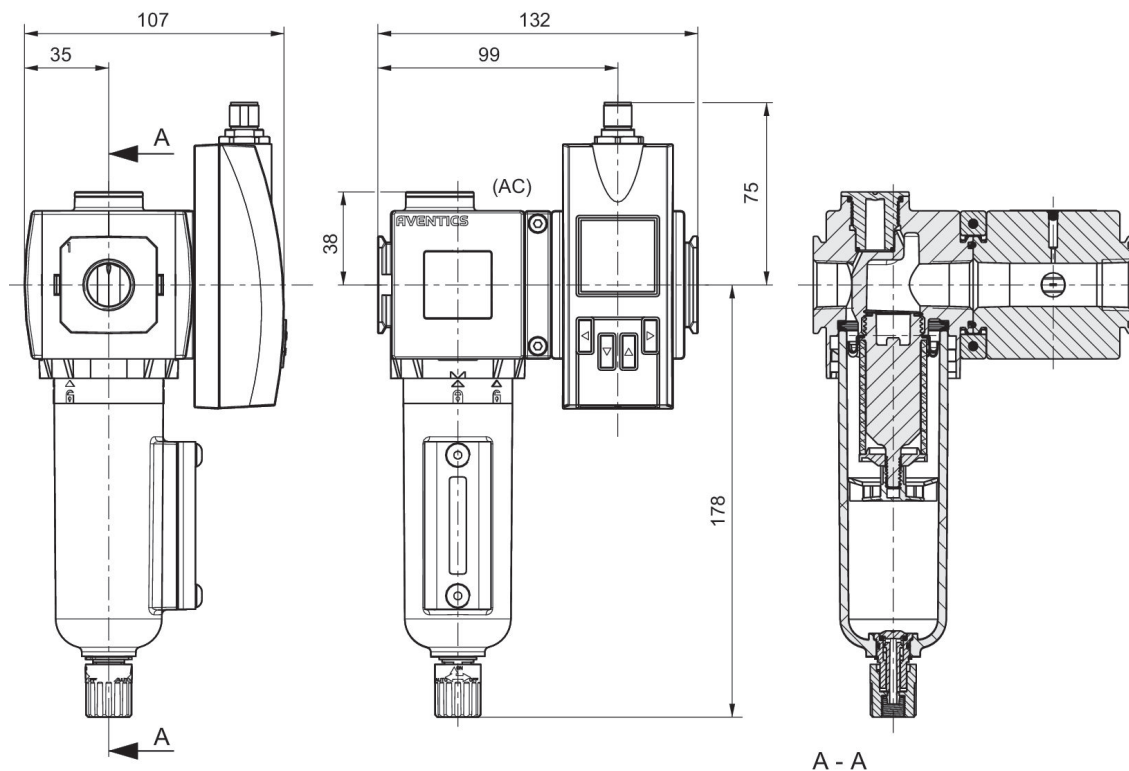
AF2 series flow rate sensor, Ethernet, without mounting

Electrical connection 2, thread size: M12x1
 Frame size: 652
 Certificates: CE declaration of conformity RoHS UL (Underwriters Laboratories)
 Electrical connection 2, number of poles: 8-pin
 Min. working pressure: 0 bar

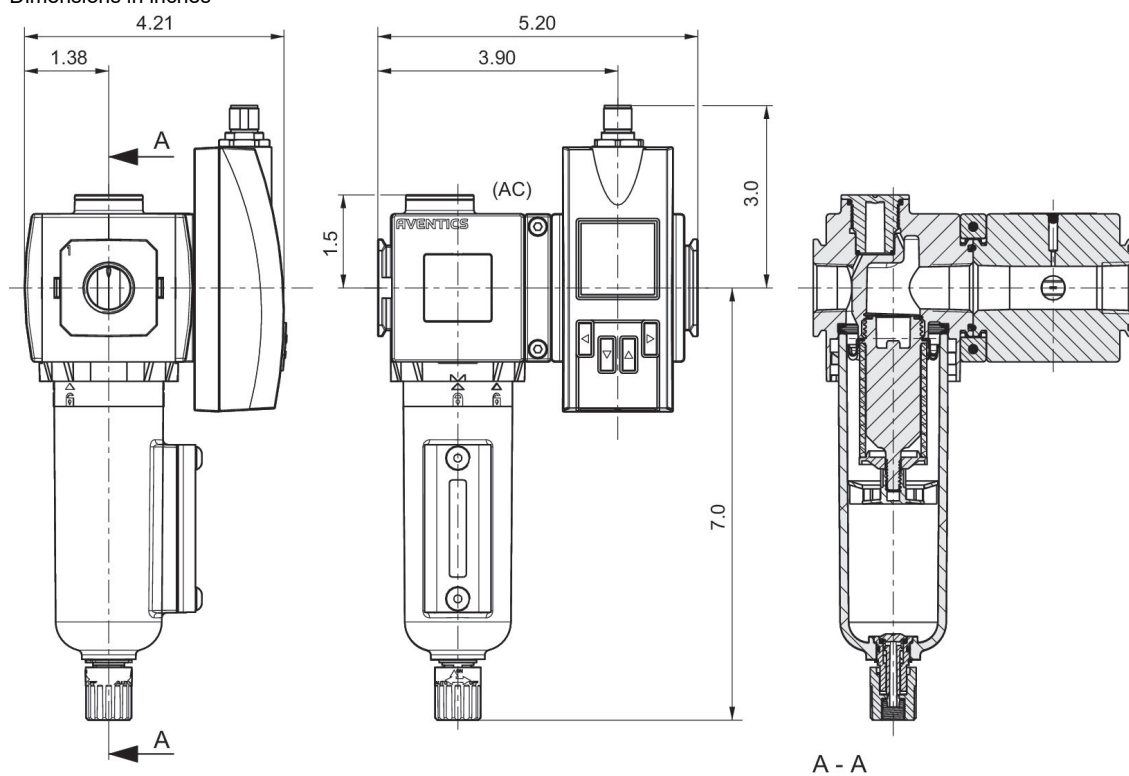


Frame size	Protocol	Output signal	Operational voltage	Port	Flow [l/min]	Part No.
652	Ethernet, TCP/IP, OPC UA, MQTT	OPC UA, MQTT, Integrated web server	24 V DC	G 1/2	1630	G652AVBP4JA001N
652	Ethernet, TCP/IP, OPC UA, MQTT	OPC UA, MQTT, Integrated web server	24 V DC	1/2 NPT	1630	8652AVBP4JA001N

Dimensions in mm

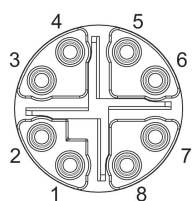


Dimensions in inches



G652AVBP4JA001N, 8652AVBP4JA001N

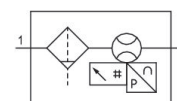
Pin assignments



Pin	RJ45	Wire color	Identification	10/100 Mbit
1	1	WH / OG	TX(+) + POE	TxData+
2	2	OG	TX(-) + POE	TxData+
3	3	WH / GN	RX(+) - POE	TxData-
4	6	GN	RX(-) - POE	TxData-
7	5	WH / BU	POE+	
8	4	BU	POE+	
5	7	WH / BN	POE-	
6	8	BN	POE-	

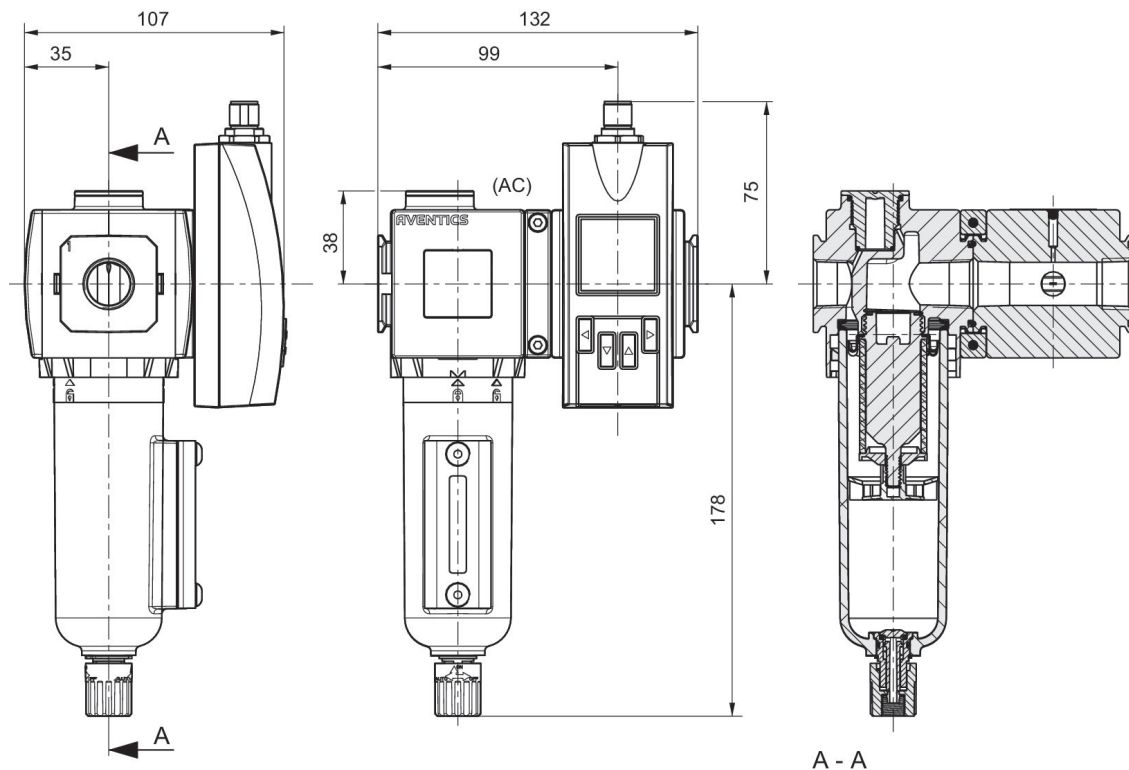
Series AF2 flow rate sensor, IO-Link, without mounting

Flow: 1630 l/min
 Electrical connection 2, thread size: M12x1
 Frame size: 652
 Certificates: CE declaration of conformity RoHS UL (Underwriters Laboratories)
 Electrical connection 2, number of poles: 5-pin
 Min. ambient temperature: -20 °C
 Max. ambient temperature: 50 °C
 Min. working pressure: 0 bar
 Max. working pressure: 16 bar

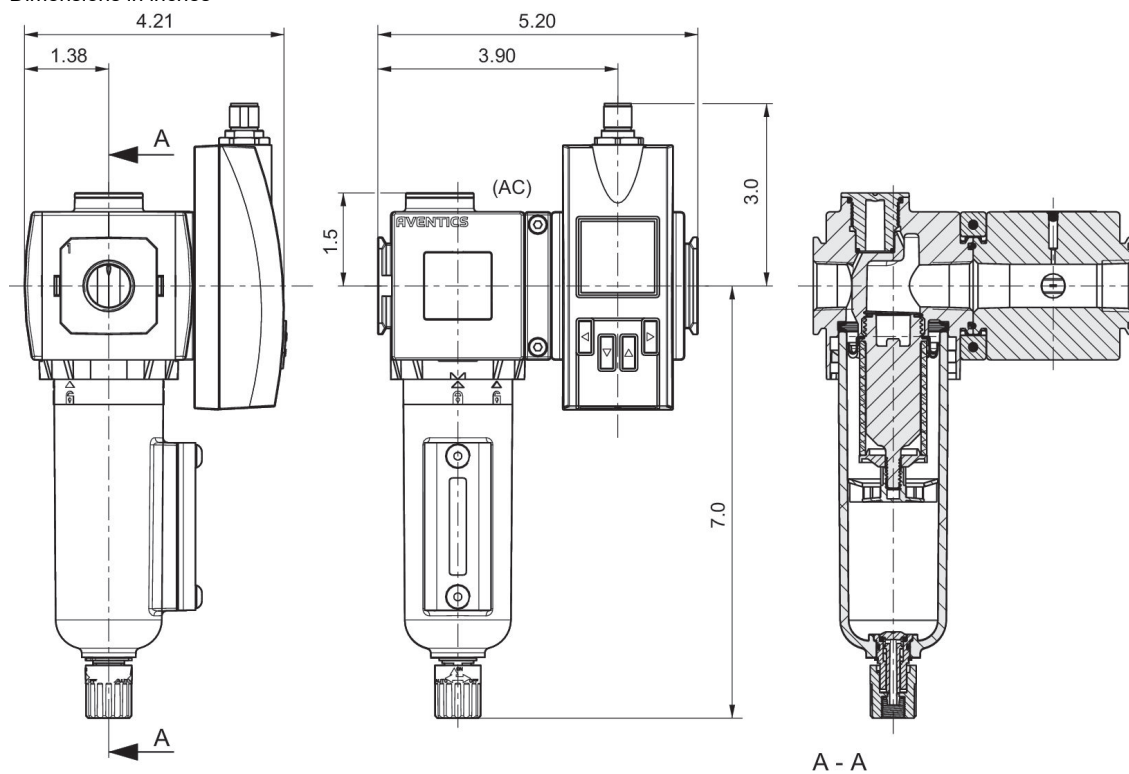


Frame size	Protocol	Output signal	Operational voltage	Port	Flow [l/min]	Part No.
652	IO-Link, Analog	PNP, NPN, push-pull, 1x IO-Link	17-30 V DC	G 1/2	1630	G652AVBP4JA000N
652	IO-Link, Analog	PNP, NPN, push-pull, 1x IO-Link	17-30 V DC	1/2 NPT	1630	8652AVBP4JA000N

Dimensions in mm

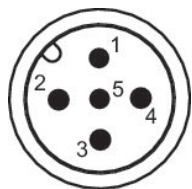


Dimensions in inches



G652AVBP4JA000N, 8652AVBP4JA000N

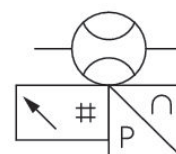
Pin assignments



Pin	Allocation	Wire color
1	L+ Supply Voltage	brown
2	QA (output 4 ... 20 mA)	white
3	m = mass	blue
4	C/Q1 (IO-Link/switch output)	black
5	Analog output 4 ... 20 mA	yellow

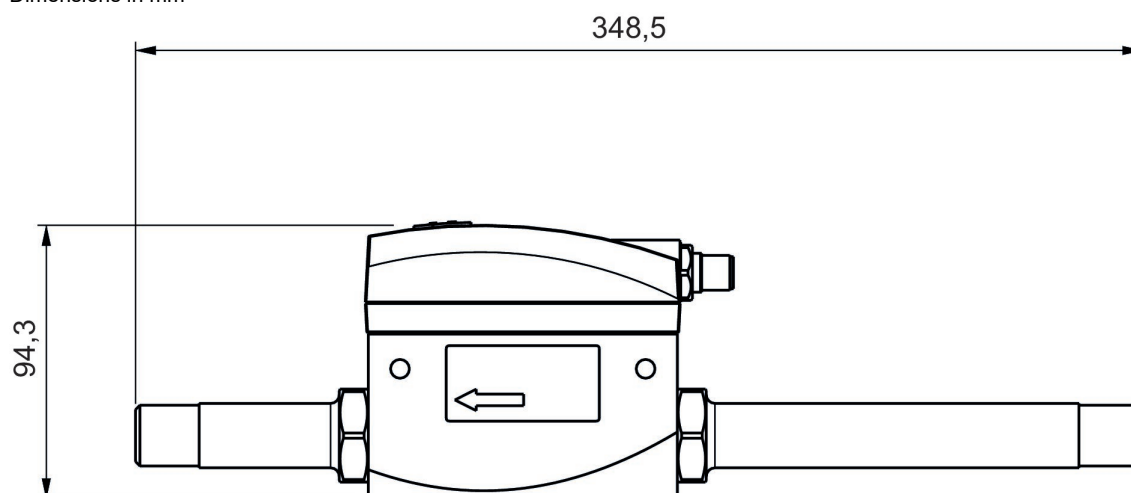
AF2 series flow rate sensor, tube version 652, Ethernet

Electrical connection 2, thread size: M12x1
 Frame size: DN15
 Certificates: CE declaration of conformity RoHS UL (Underwriters Laboratories)
 Electrical connection 2, number of poles: 8-pin
 Min. ambient temperature: -20 °C
 Max. ambient temperature: 60 °C
 Min. working pressure: 0 bar
 Max. working pressure: 16 bar

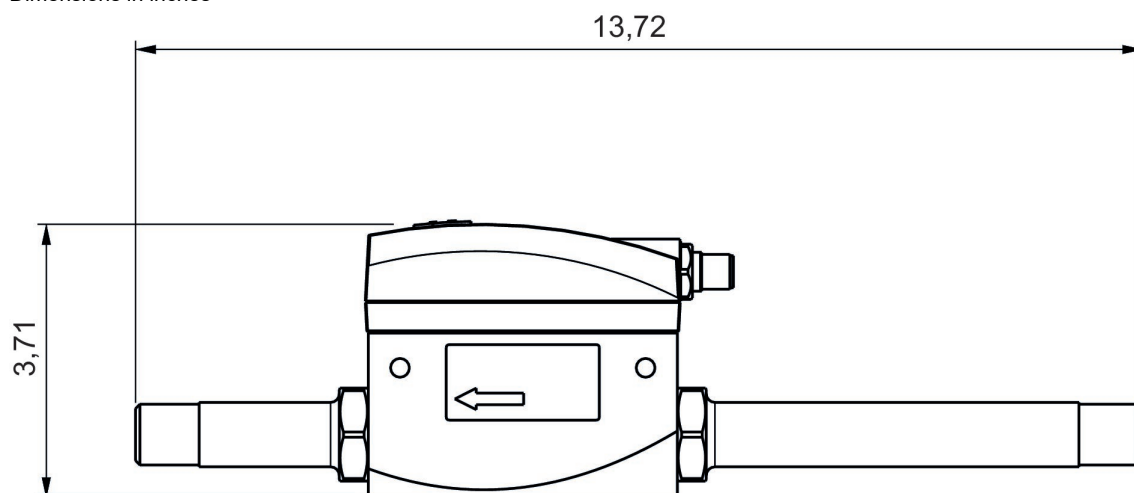


Frame size	Protocol	Output signal	Operational voltage	Port	Flow [l/min]	Part No.
DN15	Ethernet, TCP/IP, OPC UA, MQTT	OPC UA, MQTT, Integrated web server	24 V DC	G 1/2	1060	G652AV004JA0010
DN15	Ethernet, TCP/IP, OPC UA, MQTT	OPC UA, MQTT, Integrated web server	24 V DC	1/2 NPT	1060	8652AV004JA0010

Dimensions in mm

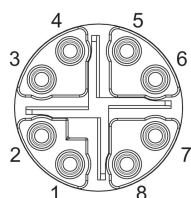


Dimensions in inches



G652AV004JA0010, 8652AV004JA0010

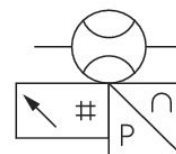
Pin assignments



Pin	RJ45	Wire color	Identification	10/100 Mbit
1	1	WH / OG	TX(+) + POE	TxData+
2	2	OG	TX(-) + POE	TxData+
3	3	WH / GN	RX(+) - POE	TxData-
4	6	GN	RX(-) - POE	TxData-
7	5	WH / BU	POE+	
8	4	BU	POE+	
5	7	WH / BN	POE-	
6	8	BN	POE-	

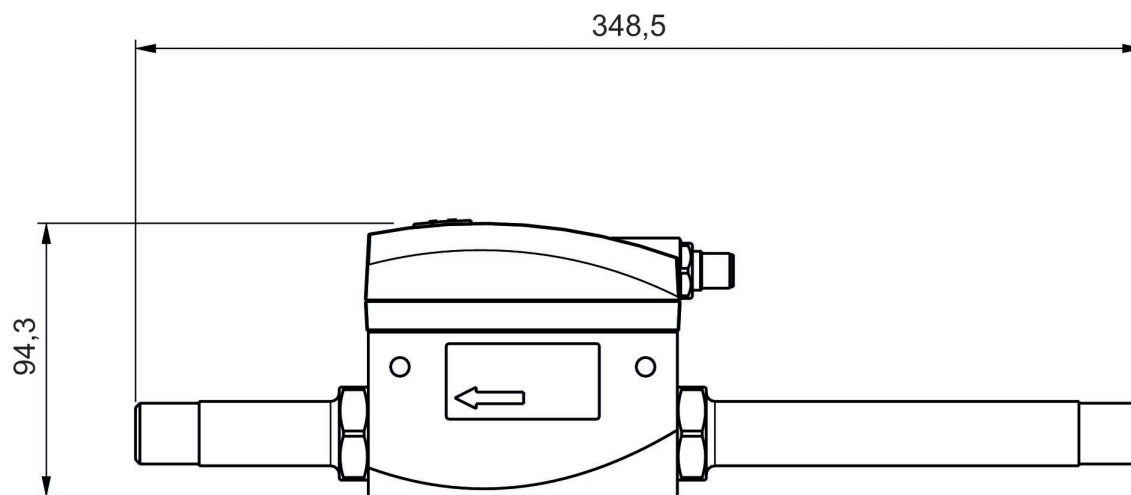
AF2 series flow rate sensor, tube version 652, IO-Link

Electrical connection 2, thread size: M12x1
 Frame size: DN15
 Certificates: CE declaration of conformity RoHS UL (Underwriters Laboratories)
 Electrical connection 2, number of poles: 5-pin
 Min. ambient temperature: -20 °C
 Max. ambient temperature: 60 °C
 Min. working pressure: 0 bar
 Max. working pressure: 16 bar

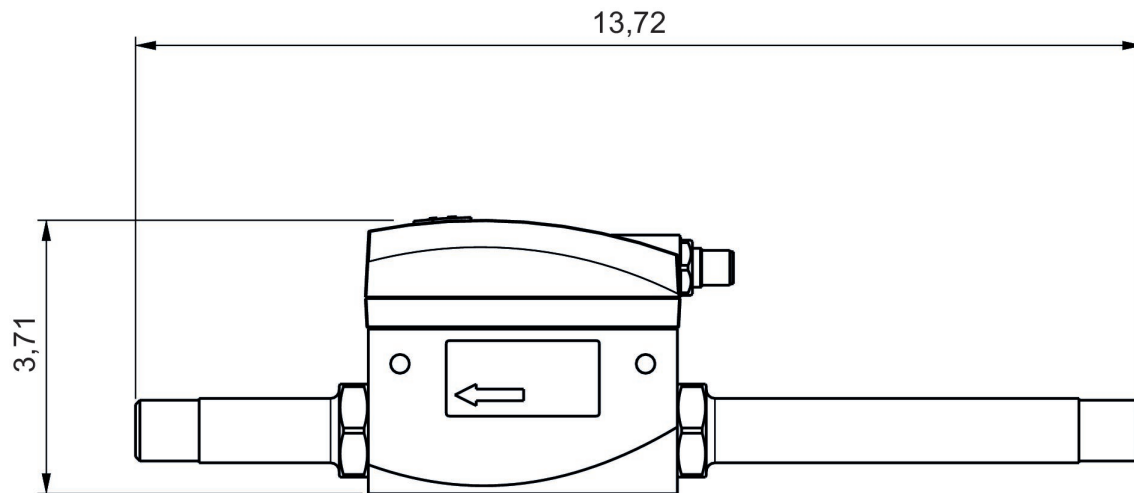


Frame size	Protocol	Output signal	Operational voltage	Port	Flow [l/min]	Part No.
DN15	IO-Link, Analog	PNP, NPN, push-pull, 1x IO-Link	17-30 V DC	1/2 NPT	1060	8652AV004JA0000
DN15	IO-Link, Analog	PNP, NPN, push-pull, 1x IO-Link	17-30 V DC	G 1/2	1060	G652AV004JA0000

Dimensions in mm

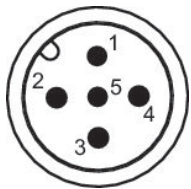


Dimensions in inches



8652AV004JA0000, G652AV004JA0000

Pin assignments



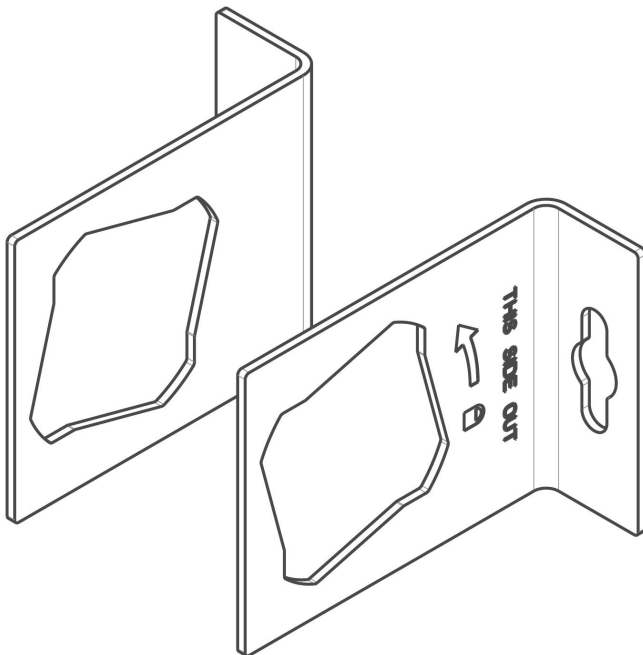
Pin	Allocation	Wire color
1	L+ Supply Voltage	brown
2	QA (output 4 ... 20 mA)	white
3	m = mass	blue
4	C/Q1 (IO-Link/switch output)	black
5	Analog output 4 ... 20 mA	yellow

Mounting bracket



Material	Part No.
Stainless Steel	P652AT503860002

Dimensions

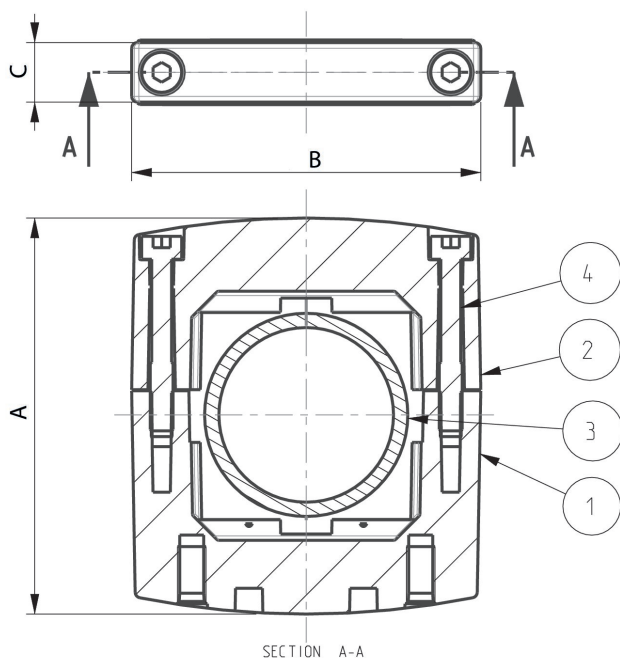


Block assembly kit



Material	Part No.
Aluminum	P652AT502466001

Dimensions



- 1) Block assembly kit
- 2) Block assembly kit
- 3) O-ring
- 4) Screw

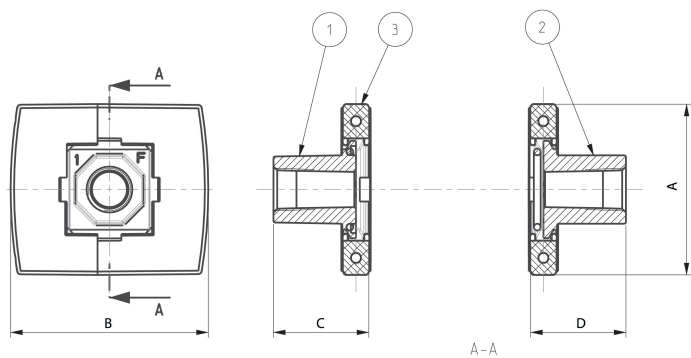
Series	652
A	69
B	61
C	10

End plate kit



Port	Material	Part No.
G 1/2	Aluminum	T652AT502468002

Dimensions



- 1) Right end plate
- 2) Left end plate
- 3) Kit

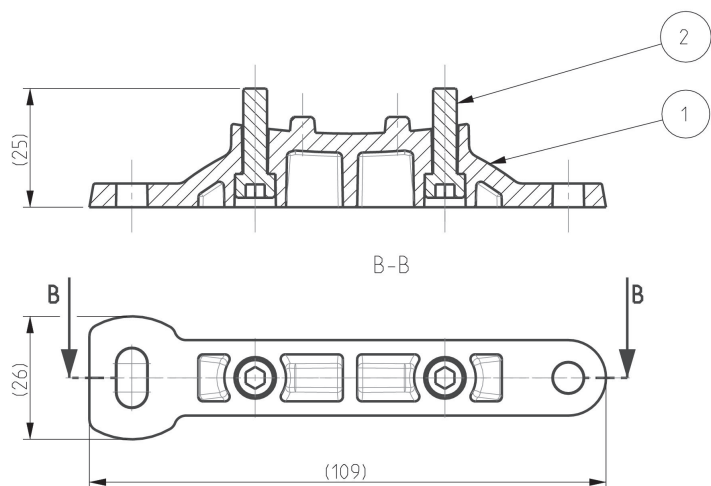
Series	652
A	61
B	69
C	35
D	35

Mounting clip



Material	Part No.
Aluminum	P699AT502467001

Dimensions



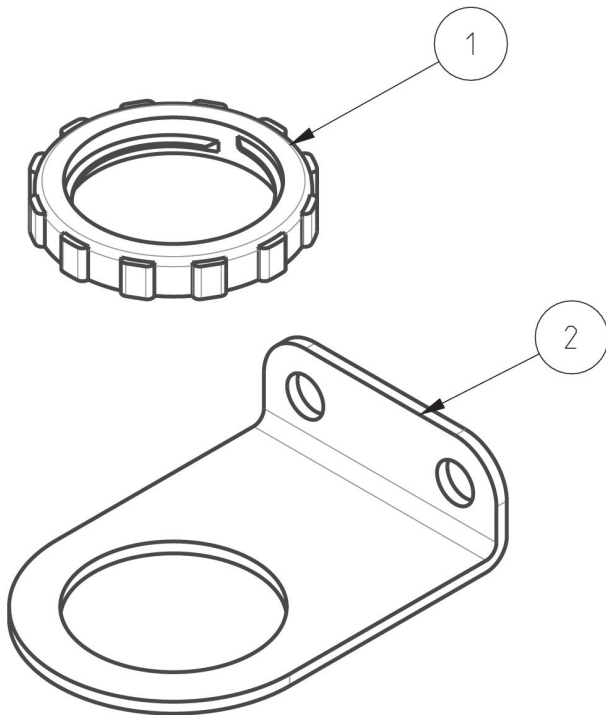
- 1) Mounting clip
- 2) Screw

Panel nut and bracket



Material	Part No.
Stainless Steel	P652AT503861002

Dimensions



- 1) Panel nut
- 2) Mounting bracket

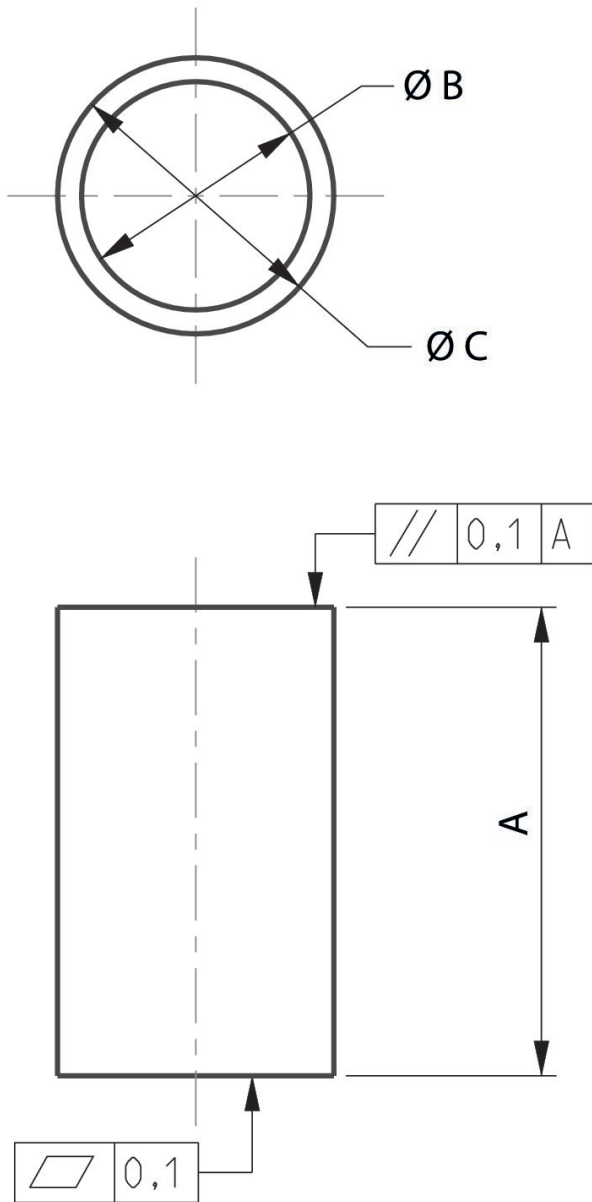
Filter element

For series: 652



Filter porosity [µm]	Color	Part No.
5	White	M652AE433582001
25	Yellow	M652AE433582002

Dimensions







Series	652
A	47
B	22,9
C	27,7
tablefooter	

Efficient pneumatic solutions, our program:
cylinders and drives, valves and valve systems,
air supply management, proportional pressure
control valves



Visit us: www.Emerson.com/aventics
Your local contact: Emerson.com/contactus

-  Emerson.com
-  Facebook.com/EmersonAutomationSolutions
-  LinkedIn.com/company/Emerson-Automation-Solutions
-  Twitter.com/EMR_Automation



The Emerson logo is a trademark and service mark of Emerson Electric Co. AVENTICS is a registered trademark of one of the Emerson family of companies. All other trademarks are the property of their respective owners. © 2020 Emerson Electric Co. All rights reserved.



CONSIDER IT SOLVED™